



US00D875576S

(12) **United States Design Patent**
Akana et al.

(10) **Patent No.:** **US D875,576 S**
(45) **Date of Patent:** **** Feb. 18, 2020**

(54) **WEARABLE DEVICE**

(71) Applicant: **Apple Inc.**, Cupertino, CA (US)

(72) Inventors: **Jody Akana**, San Francisco, CA (US);
Bartley K. Andre, Palo Alto, CA (US);
Shota Aoyagi, San Francisco, CA (US);
Anthony Michael Ashcroft, San Francisco, CA (US);
Jeremy Bataillou, San Francisco, CA (US);
Daniel J. Coster, San Francisco, CA (US);
Daniele De Iulii, San Francisco, CA (US);
M. Evans Hankey, San Francisco, CA (US);
Julian Hoenig, San Francisco, CA (US);
Richard P. Howarth, San Francisco, CA (US);
Jonathan P. Ive, San Francisco, CA (US);
Duncan Robert Kerr, San Francisco, CA (US);
Marc A. Newson, London (GB);
Matthew Dean Rohrbach, San Francisco, CA (US);
Peter Russell-Clarke, San Francisco, CA (US);
Benjamin Andrew Shaffer, San Jose, CA (US);
Mikael Silvano, San Francisco, CA (US);
Christopher J. Stringer, Woodside, CA (US);
Eugene Antony Whang, San Francisco, CA (US);
Rico Zörkendörfer, San Francisco, CA (US)

(73) Assignee: **Apple Inc.**, Cupertino, CA (US)

(**) Term: **15 Years**

(21) Appl. No.: **29/694,966**

(22) Filed: **Jun. 14, 2019**

Related U.S. Application Data

(63) Continuation of application No. 29/632,050, filed on Jan. 4, 2018, now Pat. No. Des. 854,432, which is a continuation of application No. 29/578,059, filed on Sep. 19, 2016, now Pat. No. Des. 807,765, which is a continuation of application No. 29/537,173, filed on

Aug. 24, 2015, now Pat. No. Des. 766,893, which is a continuation of application No. 29/499,088, filed on Aug. 11, 2014, now Pat. No. Des. 737,157.

(51) **LOC (12) Cl.** **10-04**

(52) **U.S. Cl.**
USPC **D10/70; D10/39**

(58) **Field of Classification Search**

USPC D10/30-39, 65, 70, 78, 97, 98; D11/3;
D14/203.5, 203.6, 341, 344; D24/167,
D24/168, 186

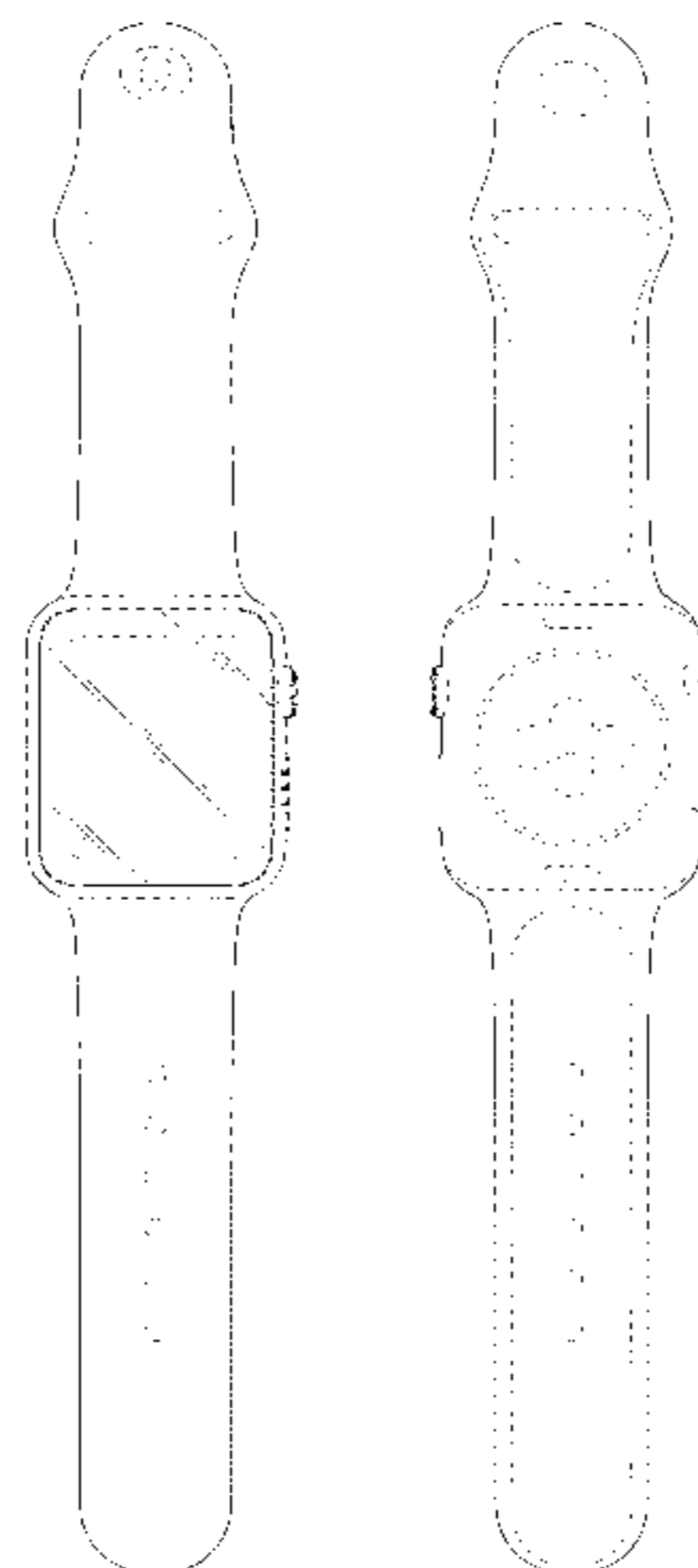
CPC A44C 5/00-5/16; G04B 37/00-37/228;
G04B 45/0069; G04B 47/04; G04B
19/00-19/34; G04B 21/12; G04B 23/12;
G04B 47/00-47/068; G04B 47/065;
G04B 47/066; G01C 17/00; G01C
21/00-21/3697; G01C 22/00-22/025;
G01C 23/00-23/005; G01C 21/16; G06F
19/3481; G06F 3/00-3/027; G06F 1/163;
G01P 1/00-1/26; G01P 15/00-15/18;
A63B 24/00-2024/0096; A63B 2213/00;
A63B 69/0028; A63B
2071/0658-2071/0666; A63B
2220/00-2220/89; A63B 2225/02; A63C
11/02; A61B 5/0537; A61B 5/4872; A61B
5/6831; A61B 5/4869; A61B 5/0858;
A61B 5/1075; A61B 5/107; A61B
5/4875; A61B 5/4878; A61B 5/4881;
A61B 5/61-5/6898; G04R 20/02; G04C
10/00; G04C 10/02; G08B 21/0269;
G08B 21/0272; G08B 21/0286; G08B
21/0288; G08B 21/0291; G08B
21/04-21/2454; G01S 19/00-19/55;
G04G 9/0064; G04G 9/0005

See application file for complete search history.

(56) **References Cited**

U.S. PATENT DOCUMENTS

1,165,262 A	12/1915	Jolly
D141,753 S	7/1945	Du Bois
D152,491 S	1/1949	Osier
3,030,686 A	4/1962	Burkhardt
3,233,801 A	2/1966	Schulenberg
3,640,065 A	2/1972	Lederrey et al.



US D875,576 S

3,665,565 A	5/1972	Kruger	D724,469 S	3/2015	Akana et al.
3,675,284 A	7/1972	Rieth	D724,556 S	3/2015	Choi et al.
3,983,483 A	9/1976	Pando	D727,197 S	4/2015	Akana et al.
D269,254 S	6/1983	Kishimoto	D727,198 S	4/2015	Akana et al.
D287,471 S	12/1986	Sato	D727,199 S	4/2015	Akana et al.
D299,718 S	2/1989	Steer	D727,787 S	4/2015	Akana et al.
D305,422 S	1/1990	Steer	D728,624 S	5/2015	Akana et al.
D331,020 S	11/1992	Ishii	D729,681 S	5/2015	Lee
D333,626 S	3/1993	Chang	D731,346 S	6/2015	Akana et al.
5,265,009 A	11/1993	Colavita	D732,416 S	6/2015	Akana et al.
D349,864 S	8/1994	Dunlap	9,060,683 B2	6/2015	Tran
5,363,351 A	11/1994	Carney	D737,156 S	8/2015	Akana et al.
D355,375 S	2/1995	Bandy, II	D737,157 S	8/2015	Akana et al.
5,386,933 A	2/1995	Greene et al.	D737,158 S	8/2015	Akana et al.
D364,097 S	11/1995	Mickey, Sr.	D737,159 S	8/2015	Akana et al.
D417,236 S	11/1999	Burrus	D739,780 S	9/2015	Akana et al.
D439,172 S	3/2001	Brzezinski	D741,726 S	10/2015	Akana et al.
D455,093 S	4/2002	Fitzgerald	D744,356 S	12/2015	Akana et al.
D473,818 S	4/2003	Salvisberg	D745,421 S	12/2015	Akana et al.
6,655,831 B1	12/2003	Ruffieux	D746,707 S	1/2016	Akana et al.
D494,098 S	8/2004	Cohen	D746,868 S	1/2016	Akana et al.
D496,589 S	9/2004	Perrenoud	D747,997 S	1/2016	Akana et al.
6,970,157 B2	11/2005	Siddeeq	D750,525 S	3/2016	Akana et al.
D513,195 S	12/2005	Gruosi	D751,070 S	3/2016	Akana et al.
7,004,469 B2	2/2006	Von Goeben	D752,044 S	3/2016	Akana et al.
D517,441 S	3/2006	Heatherly	D753,008 S	4/2016	Akana et al.
D528,018 S	9/2006	Burton	D755,070 S	5/2016	Akana et al.
D528,439 S	9/2006	Burton	D755,662 S	5/2016	Akana et al.
D528,928 S	9/2006	Burton	D756,357 S	5/2016	Akana et al.
7,106,197 B2	9/2006	Gaiotto et al.	D756,822 S	5/2016	Akana et al.
D535,055 S	1/2007	Been et al.	D756,824 S	5/2016	Akana et al.
D535,205 S	1/2007	Frederick et al.	D757,583 S	5/2016	Roush et al.
D536,265 S	2/2007	Reynoso	D758,363 S	6/2016	Akana et al.
D538,687 S	3/2007	Komulainen	D759,011 S	6/2016	Akana et al.
D549,602 S	8/2007	Oberrieder et al.	D759,121 S	6/2016	Akana et al.
D550,105 S	9/2007	Oberrieder et al.	D759,725 S	6/2016	Akana et al.
D558,227 S	12/2007	Cho et al.	D765,655 S	9/2016	Tao
D559,723 S	1/2008	Kraus et al.	D771,035 S	11/2016	Akana et al.
D560,520 S	1/2008	Oberrieder et al.	D771,504 S	11/2016	Lai et al.
D566,580 S	4/2008	Giorgio	D777,163 S	1/2017	Akana et al.
D569,282 S	5/2008	Daniel	9,551,608 B2	1/2017	Cho et al.
D572,266 S	7/2008	Anderson et al.	D779,993 S	2/2017	Akana et al.
D573,905 S	7/2008	Poirier	D782,537 S	3/2017	Akana et al.
D574,735 S	8/2008	Landman et al.	D784,326 S	4/2017	Akana
D578,922 S	10/2008	Hoshino	D790,517 S	6/2017	Akana et al.
D581,826 S	12/2008	Molyneux	D802,465 S	11/2017	Dukerschein et al.
D584,170 S	1/2009	Morrison	D802,466 S	11/2017	Yu et al.
D586,823 S	2/2009	Anderson et al.	D807,765 S	1/2018	Akana et al.
D589,375 S	3/2009	Tang	D813,058 S *	3/2018	Kanikananta D10/32
D596,610 S	7/2009	Hou	D821,246 S	6/2018	Akana et al.
7,591,581 B2	9/2009	Lovegrove et al.	D824,723 S	8/2018	Averty
D610,476 S	2/2010	Daniel	2010/0061191 A1	3/2010	Chen
D616,417 S	5/2010	Liao	2014/0096345 A1	4/2014	Tschumi
7,708,457 B2	5/2010	Girardin et al.	2014/0098649 A1	4/2014	Tschumi
D637,094 S	5/2011	Cobbett	2018/0017943 A1	1/2018	Huang et al.
D637,918 S	5/2011	Cobbett	2018/0235327 A1	8/2018	Bayley et al.
D645,360 S	9/2011	Kiser			
D650,706 S	12/2011	Zanella			
D656,856 S	4/2012	Kleinberg			
8,205,370 B2	6/2012	Padgett et al.			
D666,503 S	9/2012	Bulgari	CN	2052214 U	2/1990
D670,583 S	11/2012	Shaanan	CN	D3118417	8/1999
D672,667 S	12/2012	Mix	CN	2353201 Y	12/1999
D681,483 S	5/2013	Biegert et al.	CN	D3184158	4/2001
8,601,784 B2	12/2013	Kaltenrieder	CN	D3210240	11/2001
D699,701 S	2/2014	Kim	CN	D3229132	3/2002
8,647,268 B2	2/2014	Tran	CN	D3329483	10/2003
D709,874 S	7/2014	Aumiller et al.	CN	302900930 S	8/2014
D709,875 S	7/2014	Aumiller et al.	CN	203859742 U	10/2014
8,766,805 B2	7/2014	Alameh et al.	CN	303451390 S	11/2015
D711,872 S	8/2014	Aumiller et al.	CN	303451393 S	11/2015
D711,873 S	8/2014	Aumiller et al.	CN	303451413 S	11/2015
D714,288 S	9/2014	Aumiller et al.	CN	303561799 S	1/2016
D715,668 S	10/2014	Roush et al.	CN	205247081 U	5/2016
D717,678 S	11/2014	Anderssen et al.	CN	303660915 S	5/2016
D717,679 S	11/2014	Anderssen et al.	CN	205547667 U	9/2016
D718,170 S	11/2014	Aumiller et al.	CN	206101835 U	4/2017
D720,248 S	12/2014	Law	CN	304332089 S	10/2017
D720,249 S	12/2014	Park et al.	CN	206630111 U	11/2017
			CN	107495924 A	12/2017

FOREIGN PATENT DOCUMENTS

CN	107713198	A	2/2018
CN	304612337	S	5/2018
CN	207706386	U	8/2018
CN	108523325	A	9/2018
CN	207979138	U	10/2018
CN	304868711	S	10/2018
DE	10229050	C1	6/2003
EM	003313071-0002		10/2016
EM	005321213-0001		6/2018
EM	005321213-0002		6/2018
EM	005792520-0001		10/2018
EM	005792520-0002		10/2018
EM	005792520-0003		10/2018
EP	1098231	A1	5/2001
EP	2636328	A1	9/2013
ES	001359301-0002		6/2013
GB	618917	A	3/1949
GB	1059756		5/1989
GB	2082277		6/1999
HK	0501949.8		12/2005
HK	1001605.7		12/2010
JP	H02310580	A	12/1990
JP	D1058606		1/2000
JP	D1095230		1/2001
JP	D1119440		8/2001
JP	D1127245		11/2001
JP	D1127493		11/2001
JP	D1204216		5/2004
JP	D1218830		10/2004
JP	D1236213		4/2005
JP	2005171013	A	6/2005
JP	D1264904		3/2006
JP	D1281287		9/2006
JP	2006288484	A	10/2006
JP	D1302423		6/2007
JP	D1350052		2/2009
JP	D1350063		2/2009
JP	D1368561		8/2009
JP	D1423962		9/2011
JP	D1433113		2/2012
JP	D1448195		8/2012
JP	D1462747		2/2013
JP	D1466391		4/2013
JP	D1477307		8/2013
JP	D1503504		7/2014
JP	D1511746		11/2014
JP	D1511747		11/2014
JP	D1518040		2/2015
WO	WO-DM/049177-024		11/1999
WO	WO-DM/052261-005		8/2000
WO	WO-DM/057659-011		11/2001
WO	WO-DM/057659-012		11/2001
WO	WO-DM/066491-004		3/2005
WO	WO-DM072215		9/2009
WO	WO-DM-077215		9/2009
WO	WO-DM/077452-004		6/2011
WO	WO-2013182397	A1	12/2013
WO	WO-2014135709	A2	9/2014
WO	WO-D086461001		5/2016

OTHER PUBLICATIONS

Alvarez, Edgar, "Basis Peak to get its smartwatch-like features in December," [engadget.com](http://www.engadget.com/2014/11/20/basis-peak-new-features/), <<http://www.engadget.com/2014/11/20/basis-peak-new-features/>>, dated Nov. 20, 2014, accessed Dec. 15, 2014.

"Brand New Ikepod Grey or Orange Rubber Strap , Hemipode , Marc Newson Design," accessed at <http://www.ebay.com/itm/BRAND-NEW-IKEPOD-GREY-OR-ORANGE-RUBBER-STRAP-HEMIPODE-MARC-NEWSON-DESIGN-/291133335907>, last updated Nov. 30, 2014, 3 pages.

Calar Zhao, "SW102 Bluetooth bracelet watch smart healthy Silicone Wristband sports watch Time Display/Caller ID/ alarm/ Pedometer + Freeship", accessed at (<http://www.aliexpress.com/item/SW102-bluetooth-bracelet-watch-smart-healthy-Silicone-Wristband-sports-watch-Time-Display-Caller-ID-alarm-Pedometer/2039225352.html>), accessed on Nov. 26, 2014.

Cool Material, "Braun Square Digital Watch," <<http://web.archive.org/web/20111125033014/http://coolmaterial.com/style/braun-square-digital-watch/>>, dated Nov. 25, 2011, accessed Dec. 18, 2014.

Emily, "Nixon—The Newton Digital," <<http://www.freshnessmag.com/2009/09/08/nixon-the-newton-digital/>>, freshnessmag.com, dated Sep. 8, 2009, accessed Oct. 9, 2014.

etsy.com, "1 Set Silver End Cap Clasp—Findings Large Toggle Clasp End Caps Buckle Connector with Five Inside Loops for Jewelry Making 26mm," <<http://www.etsy.com/listing/101269004/1-set-silver-end-cap-clasp-findings?ref=market>>, Listed on Aug. 29, 2014, accessed Oct. 9, 2014.

Fitbit, "Fitbit Surge™ Fitness Super Watch" <<https://www.fitbit.com/surge>>, accessed Dec. 15, 2014.

geekbuying.com, "Makibes unisex red led digital wrist watch with square case silicone watchband—white," <<http://www.geekbuying.com/item/Unisex-Red-LED-Digital-Wrist-Watch-with-Square-Case-Silicone-Watchband---White-326443.html>>, accessed Oct. 9, 2014.

Hodinkee.com, "Apple iPod Nano Now Available With Mickey Mouse Dial, Also Cheesy, Mechanically Inaccurate Open-Worked Dial," <<http://web.archive.org/web/20111006043916/http://www.hodinkee.com/blog/2011/10/5/apple-ipod-nano-now-available-with-mickey-mouse-dial-also-ch.html>>, dated Oct. 6, 2011, accessed Dec. 18, 2014.

Homego, "M6 Silver Smart Watch Cell Phone 1.54 inch Bluetooth 3.0 Dialer Outdoor Sports Pedometer," amazon.com, <<http://www.amazon.com/Silver-Bluetooth-Dialer-Outdoor-Pedometer/dp/B00MQTBGK6>>, accessed Dec. 15, 2014.

Ikepod, "Original Ikepod Watch With GMT—Marc Newson Design," Watchbox.be, <<http://www.watchbox.be/prod/Others-Watches/Marc%20Newson%20Design/item7165.htm#.VJLm2fAo5D8>>, accessed Dec. 17, 2014.

LG Life's Good, "LG G Watch (W100)," <<http://www.lg.com/us/smart-watches/lg-W100-g-watch>>, accessed Dec. 18, 2014.

MbSPB, accessed at <http://www.mbs-p-b.com/mbs-p-b/2015/5/25/apple-watch-sport-band>, Posted on May 27, 2015, accessed on Mar. 29, 2018.

Metawatch, "Frame—Black (MW3005)," <<http://meta.watch/collections/smartwatch-all/products/frame-ss-black-leather>>, accessed Dec. 15, 2014.

Omate, "Omate TrueSmart: Water-resistant standalone Smartwatch 2.0," <<http://www.kickstarter.com/projects/omate/omate-truesmart-water-resistant-standalone-smartwa>>, dated Aug. 21, 2013, accessed Oct. 8, 2014.

Omate, "The TrueSmart™ is the world's first standalone smartwatch 2.0 running on top of Android and OUI 2.0," <<http://www.omate.com/product.html>>, accessed Dec. 15, 2014.

[Online] <http://blogs-images.forbes.com/robertpearl/files/2014/10/Apple-Watch-health-fitness-white-blue-1940x1231.jpg> . Retrieved Feb. 4, 2015.

[Online] <http://i1.wp.com/cdn.bgr.com/2015/04/apple-watch-7.jpg?w=625>. Retrieved Dec. 9, 2015.

[Online] http://jewelrynewsnetwork.blogspot.com/2014_01_01_archive.html. Retrieved Mar. 17, 2015. Posted online Jan. 30, 2014.

[Online] <https://s-media-cache-ak0.pinning.com/736x/bd/9d/7d/bd9d7d7b5618e1518d744dd28c999fc4.jpg>. Retrieved Mar. 31, 2015.

[Online] http://timerecs.com/imgs/a/c/s/v/b/ikepod_hemipode_marc_newson_marcus_limited_limited_edition_black_dlc_chronograph_46mm_5_lgw.jpg. Retrieved Mar. 31, 2015.

[Online] <http://www.ablogtowatch.com/10-interesting-facts-marc-newson-watch-design-work-ikepod/>. Retrieved Mar. 17, 2015. Posted online Sep. 9, 2014.

[Online] <http://www.imedicalapps.com/wp-content/uploads/2014/09/watch-dm.jpg> . Retrieved Feb. 4, 2015.

Pebble, "Pebble Smartwatch," [getpebble.com](https://getpebble.com/checkout/), <<https://getpebble.com/checkout/>>, accessed Dec. 15, 2014.

Samsung, "Samsung Gear™ 2 Charcoal Black SM-R3800VSAXAR," <<http://www.samsung.com/us/mobile/wearable-tech/SM-R3800VSAXAR>>, accessed Dec. 15, 2014.

Samsung, "Samsung Gear S™, (Sprint), Black SM-R750PZKASPR," <<http://www.samsung.com/us/mobile/wearable-tech/SM-R750PZKASPR>>, accessed Dec. 15, 2014.

Samsung, “Galaxy Gear™ Live, Black SM-R3820ZKAXAR,” <<http://www.samsung.com/us/mobile/wearable-tech/SM-R3820ZKAXAR>>, accessed Dec. 15, 2014.

Sony, “SmartWatch 3 SWR50,” <<http://www.sonymobile.com/us/products/smartwear/smartwatch-3-swr50/>>, accessed Dec. 15, 2014.

Sony, “SmartWatch,” <<http://www.sonymobile.com/us/products/accessories/smartwatch/>>, accessed Dec. 15, 2014.

Stables, James, “Clevercare smartwatch aims to help Alzheimer’s suffers and carers: Revamped Sony SmartWatch 2 designed for users that need care,” Wearable News, <<http://www.wearable.com/wearable-tech/clevercare-smartwatch-aims-to-help-alzheimers-suffers-and-carers-585>>, dated Dec. 15, 2014.

Team Luxe, “Collectors Edition: Hermes Carre H Watch,” Luxpresso, <<http://luxpresso.com/news-couture/collectors-edition-hermes-carre-h-watch/2814>>, dated Jan. 10, 2011, accessed Dec. 18, 2014.

Ted Baker, “Ted Baker Men’s TE1054 Time Flies Contemporary Square Digital Case Watch ,” <<http://www.amazon.com/Ted-Baker-TE1054-Contemporary-Digital/dp/B0045CRTYO%3FSubscriptionId%3DAKIAJ3U4YRIBWCGGKZ2A%26tag%3Dfrases365-20%26linkCode%3Dsp1%26camp%3D2025%26creative%3D165953%26creativeASIN%3DB0045CRTYO>>, accessed Oct. 9, 2014.

The Best Third-party Apple Watch Bands, Dec. 21, 2016 (dated by WayBack Machine), Retrieved from Internet, (URL: <https://watchaware.com/best-apple-watch-bands>).

Velazco, Chris, “ASUS ZenWatch review: subtle and stylish, with a few shortcomings,” Engadget.com, <<http://www.engadget.com/2014/12/11/asus-zenwatch-review/>>, dated Dec. 11, 2014, accessed Dec. 15, 2014.

Watches Infoniac.com, “Hermes Carre H Watch—Extremely Contemporary Design,” <<http://watches.infoniac.com/carre-h-watch-hermes.html>>, dated Aug. 13, 2010, accessed Dec. 18, 2014.

Watchismo, “Braun BN0042 Black Date Leather,” <<http://web.archive.org/web/20130815073830/http://www.watchismo.com/braun-bn0042bkbk.aspx>>, dated Aug. 15, 2013, accessed Dec. 18, 2014.

* cited by examiner

Primary Examiner — Antoine Duval Davis
(74) *Attorney, Agent, or Firm* — Sterne, Kessler, Goldstein & Fox P.L.L.C.

(57)

CLAIM

The ornamental design for a wearable device, as shown and described.

DESCRIPTION

FIG. 1 is a front view of a wearable device showing the claimed design;

FIG. 2 is a rear view thereof;

FIG. 3 is a right side view thereof;

FIG. 4 is a left side view thereof;

FIG. 5 is a top view thereof; and,

FIG. 6 is a bottom view thereof.

The oblique shade lines in the figures show transparency or translucency.

The broken lines in the figures show portions of the wearable device that form no part of the claimed design.

1 Claim, 4 Drawing Sheets

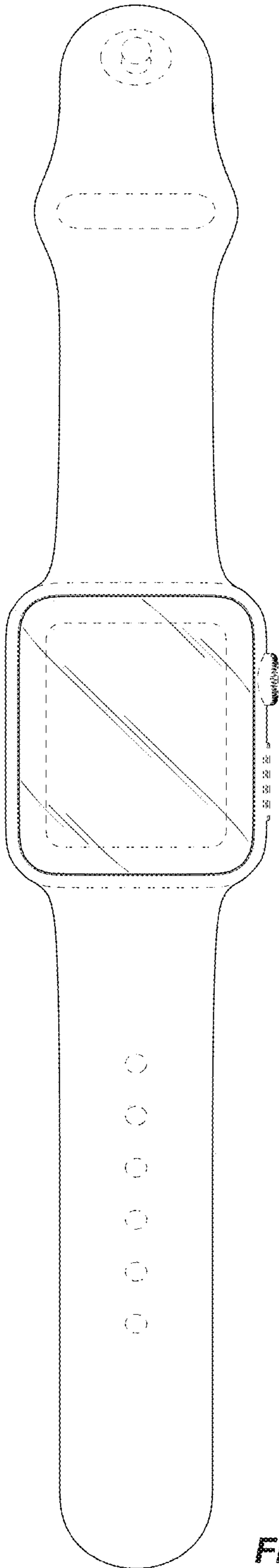


FIG. 1

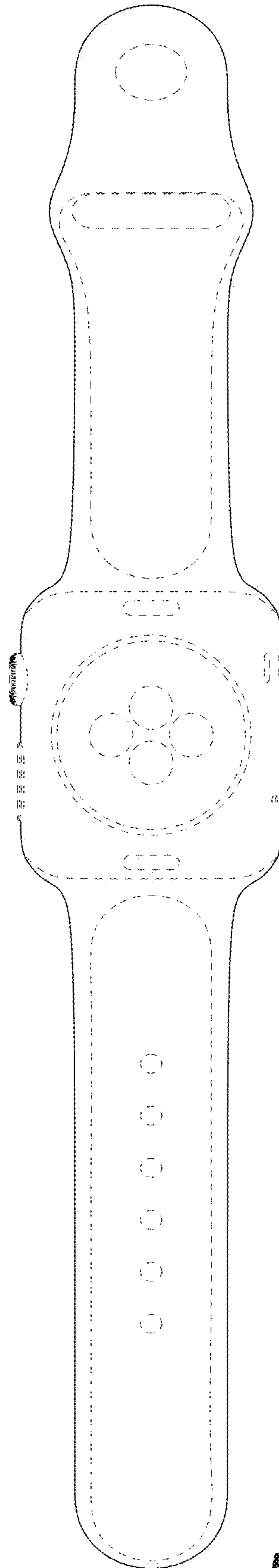


FIG. 2

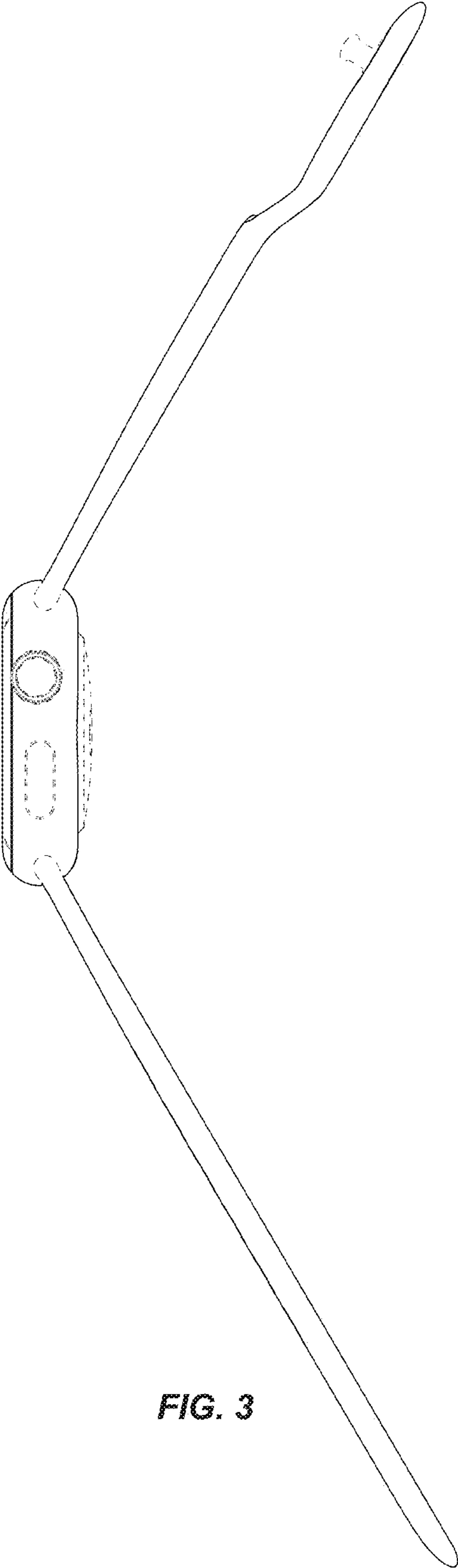


FIG. 3

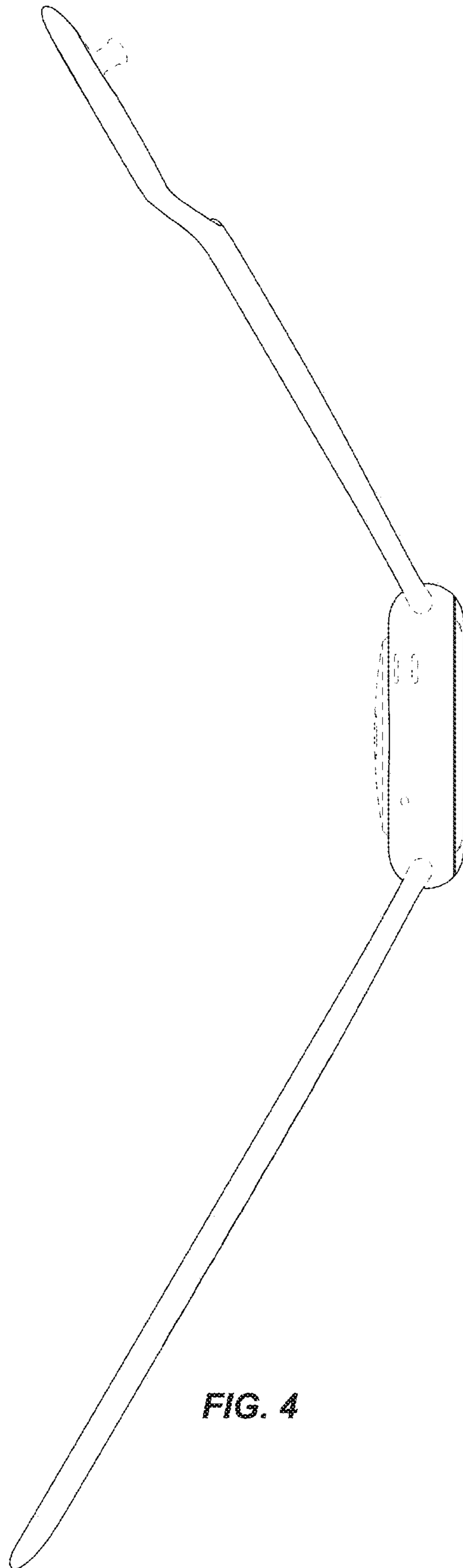


FIG. 4

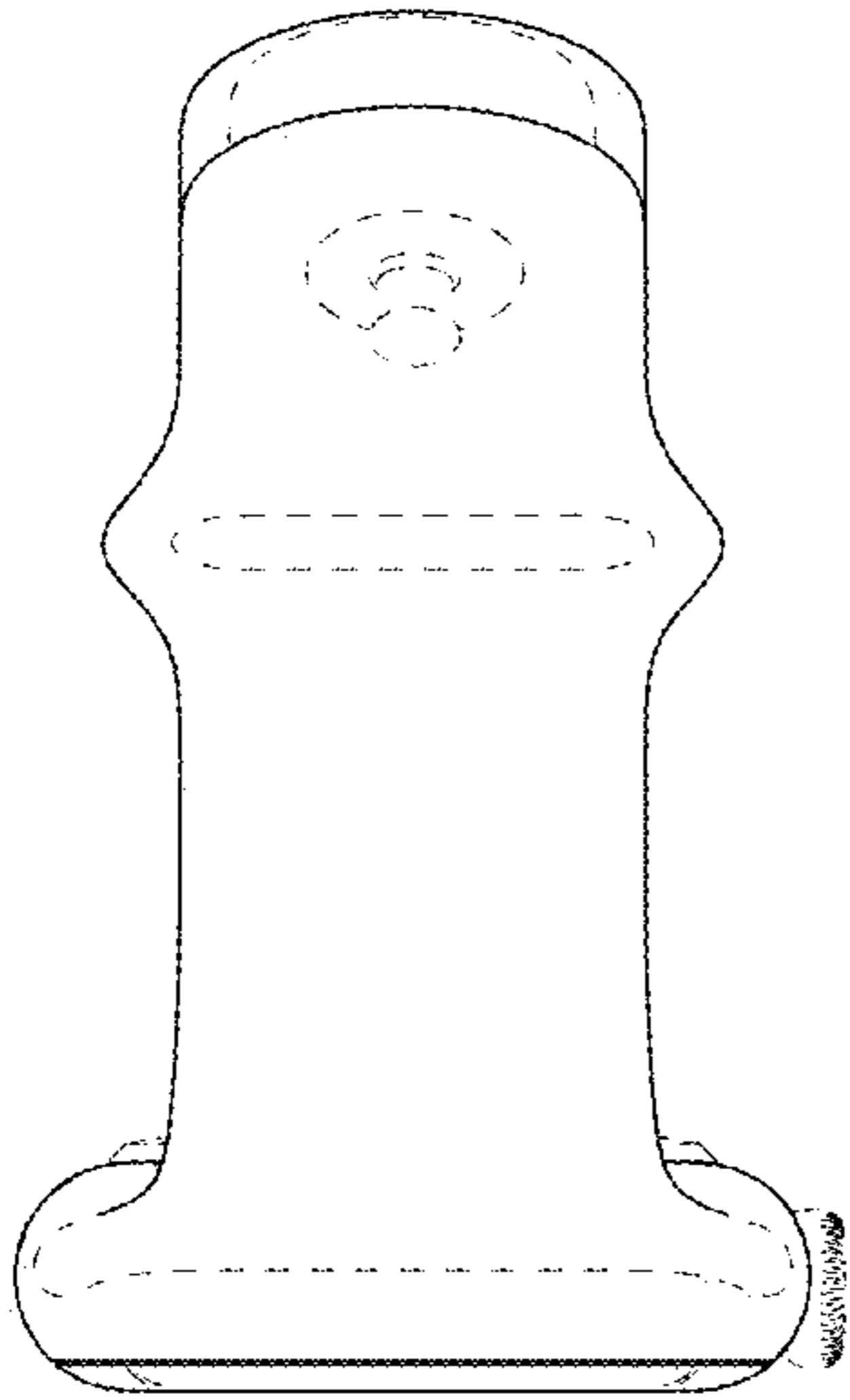


FIG. 5

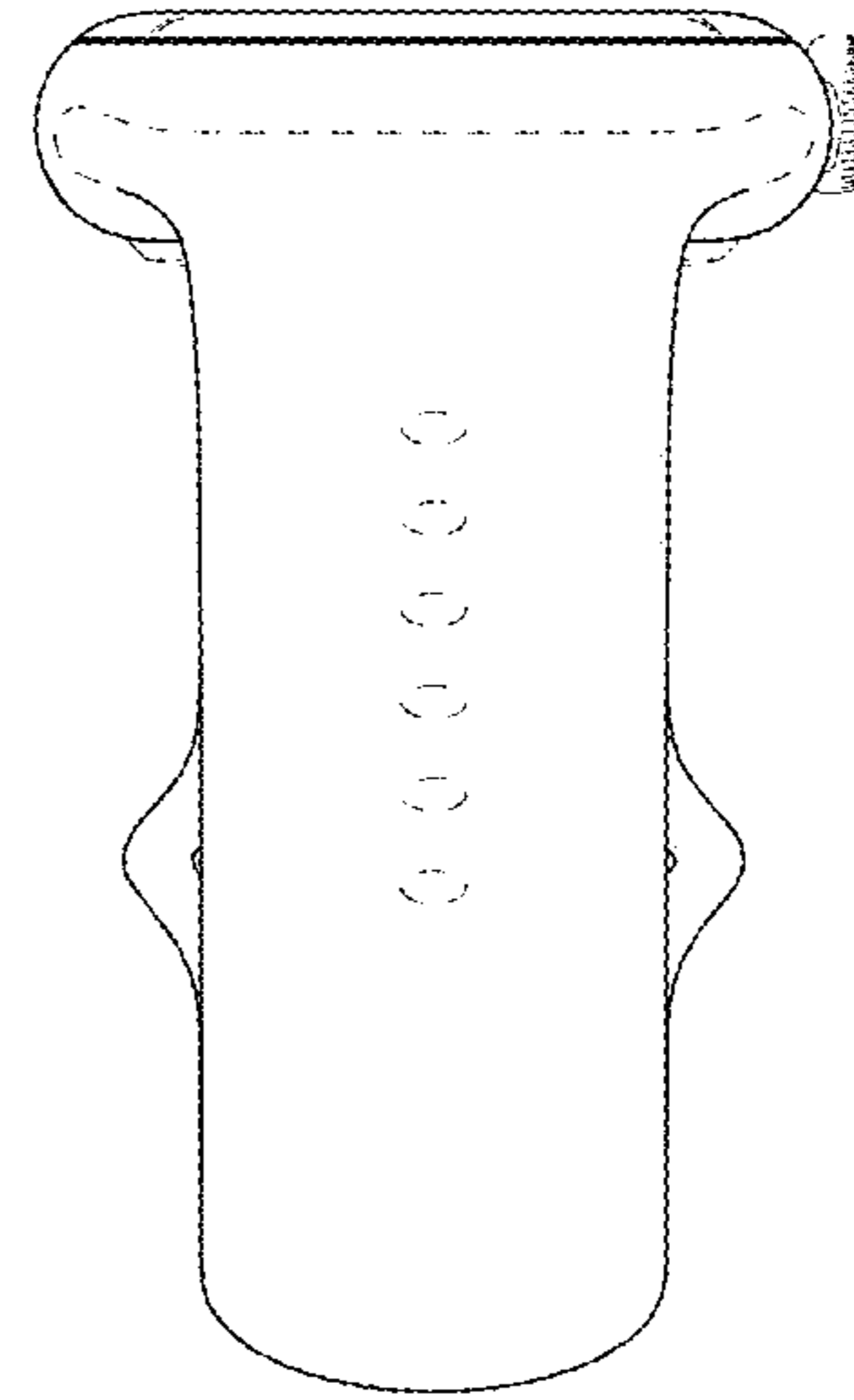


FIG. 6