



US00D875574S

(12) **United States Design Patent** (10) **Patent No.:** **US D875,574 S**
Farnsworth (45) **Date of Patent:** **** Feb. 18, 2020**

(54) **QUILTING RULER**
(71) Applicant: **Quilting It, LLC**, Providence, UT (US)
(72) Inventor: **Leisha Farnsworth**, Providence, UT (US)
(73) Assignee: **Quilting It, LLC**, Providence, UT (US)
(**) Term: **15 Years**

Primary Examiner — Antoine Duval Davis
(74) *Attorney, Agent, or Firm* — TraskBritt

(21) Appl. No.: **29/664,483**
(22) Filed: **Sep. 25, 2018**
(51) **LOC (12) Cl.** **10-04**
(52) **U.S. Cl.**
USPC **D10/64; D10/71**
(58) **Field of Classification Search**
USPC D10/64, 65, 71
CPC D05B 39/005; D05B 97/02; D05B 97/12;
D05C 7/02; D05C 11/10; D05C 13/00;
B25H 7/02; B43L 12/00; B43L 13/20;
B43L 13/201; B43L 13/203; B43L
13/205; B43L 13/206; B43L 13/208;
B43L 7/005; B43L 7/027; G01B 3/14;
G01B 3/04
See application file for complete search history.

(57) **CLAIM**

The ornamental design for a quilting ruler, as shown and described.

DESCRIPTION

FIG. 1 is a perspective view of the top and right-front side of a quilting ruler showing a first embodiment of the new design.

FIG. 2 is a perspective view of the bottom and left-front side of the quilting ruler of FIG. 1.

FIG. 3 is a top plan view of the quilting ruler of FIG. 1, the front side of the quilting ruler being at the bottom of the figure (i.e., at the right side of the page) and the rear side of the quilting ruler being at the top of the figure (i.e., at the left side of the page).

FIG. 4 is a bottom plan view of the quilting ruler of FIG. 1, the front side of the quilting ruler being at the bottom of the figure (i.e., at the right side of the page) and the rear side of the quilting ruler being at the top of the figure (i.e., the left side of the page).

FIG. 5 is a right-side, elevation view of the quilting ruler of FIG. 1.

FIG. 6 is a left-side, elevation view of the quilting ruler of FIG. 1.

FIG. 7 is a rear-side, elevation view of the quilting ruler of FIG. 1; and,

FIG. 8 is a front-side, elevation view of the quilting ruler of FIG. 1.

The short broken lines depicting numbering and other features of the quilting ruler are included for the purpose of illustrating portions of the article that form no part of the claimed design. Contrarily, the concentric, curved lines of long broken lines, extending along the quilting ruler between concentric, curved, solid lines, do form part of the claimed design.

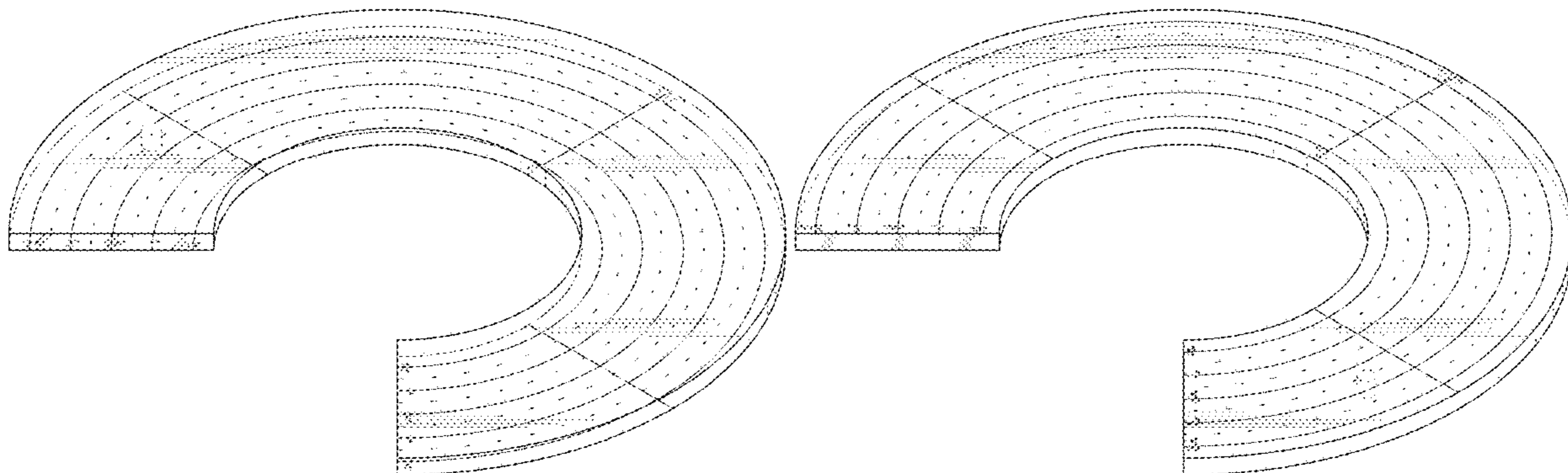
(56) **References Cited**
U.S. PATENT DOCUMENTS
4,211,010 A * 7/1980 Burke A41H 3/002
33/11
D311,873 S 11/1990 Arend
5,557,996 A 9/1996 Reber et al.
D374,404 S 10/1996 Kidd
(Continued)

OTHER PUBLICATIONS

Ruler Half Circle Handi Size—Handi Quilter Education; handiquilter.me web page last accessed Sep. 26, 2018 at: <https://handiquilter.me/product/ruler-half-circle-handi-size/> (3 pages).

(Continued)

1 Claim, 6 Drawing Sheets



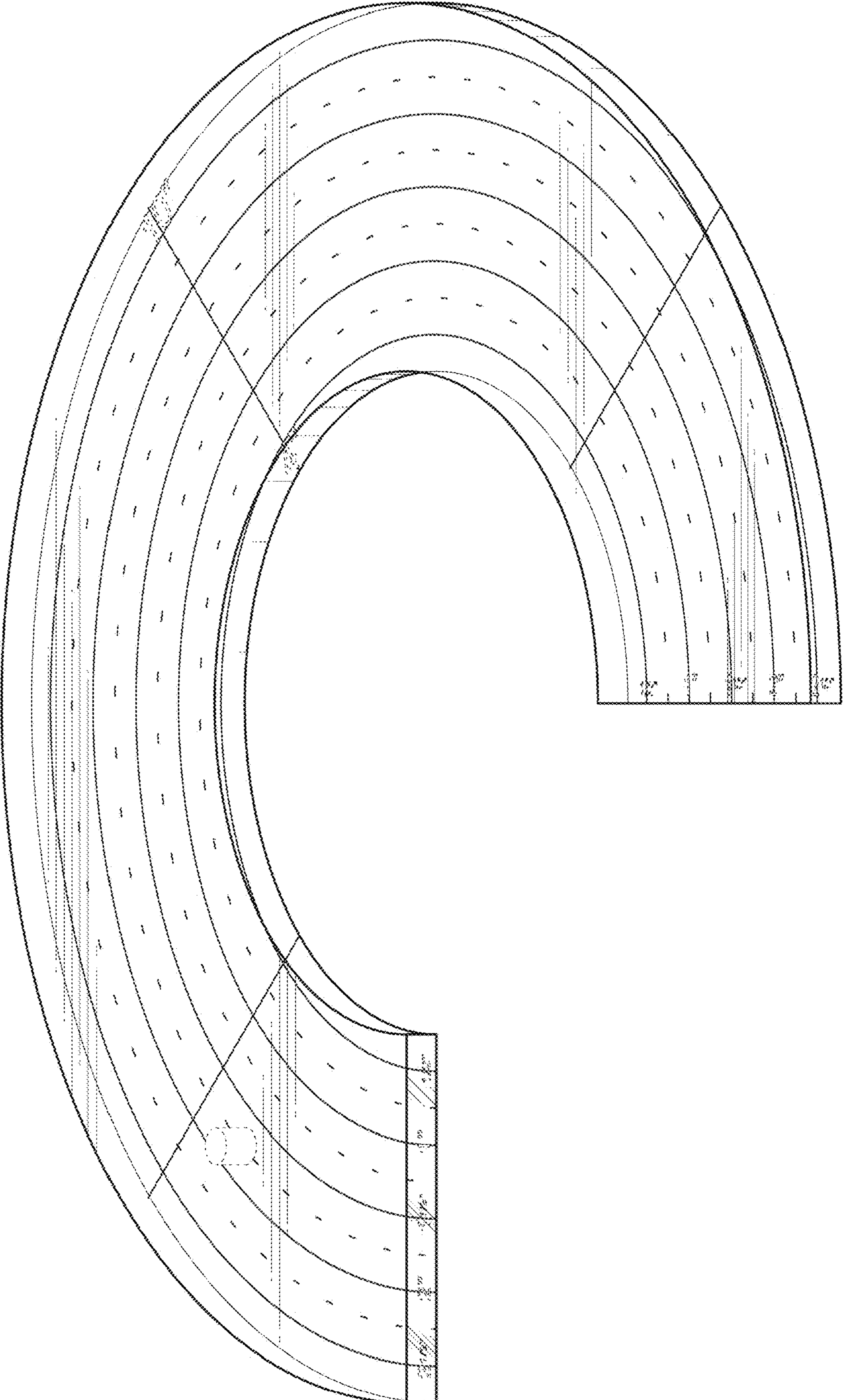


FIG. 1

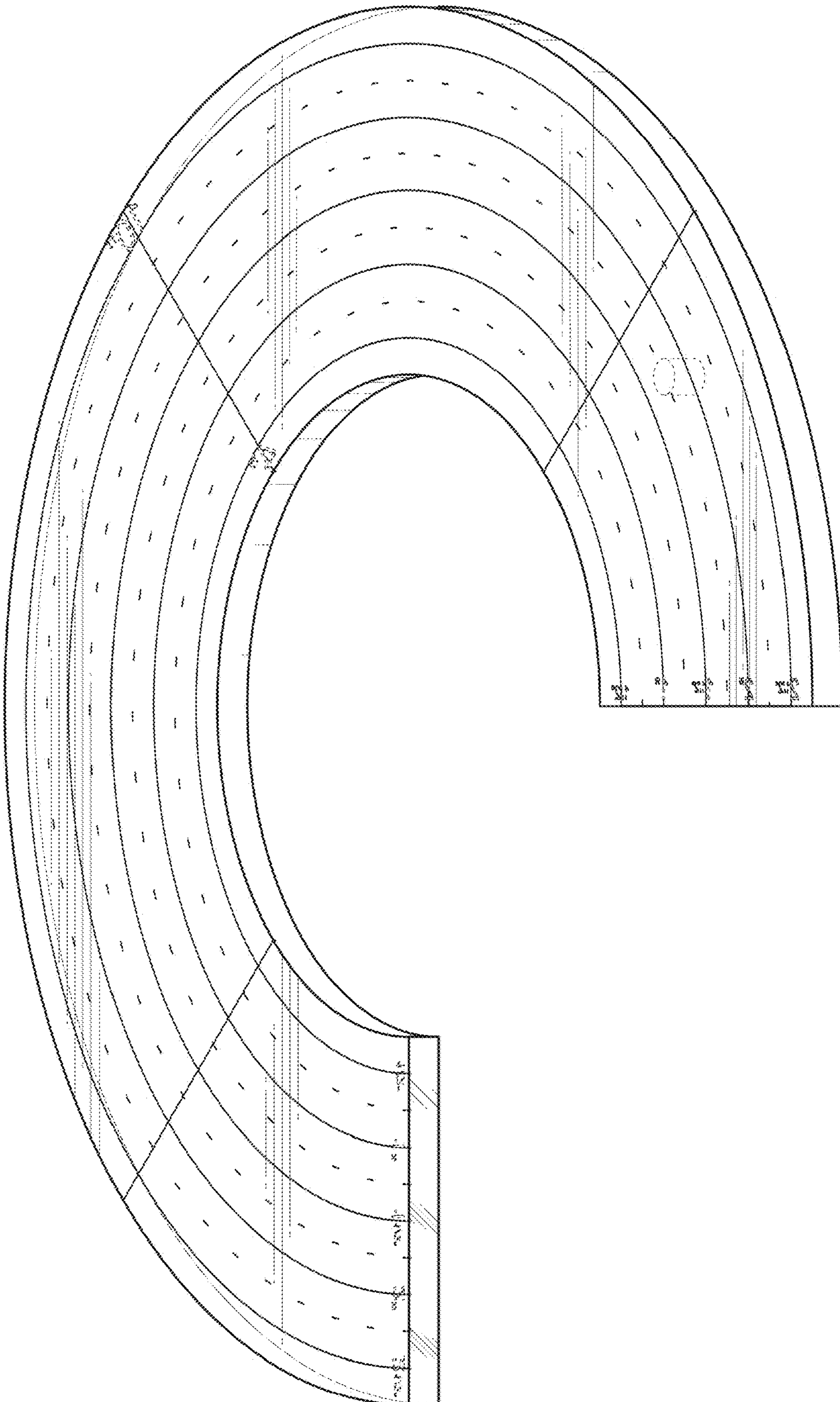


FIG. 2

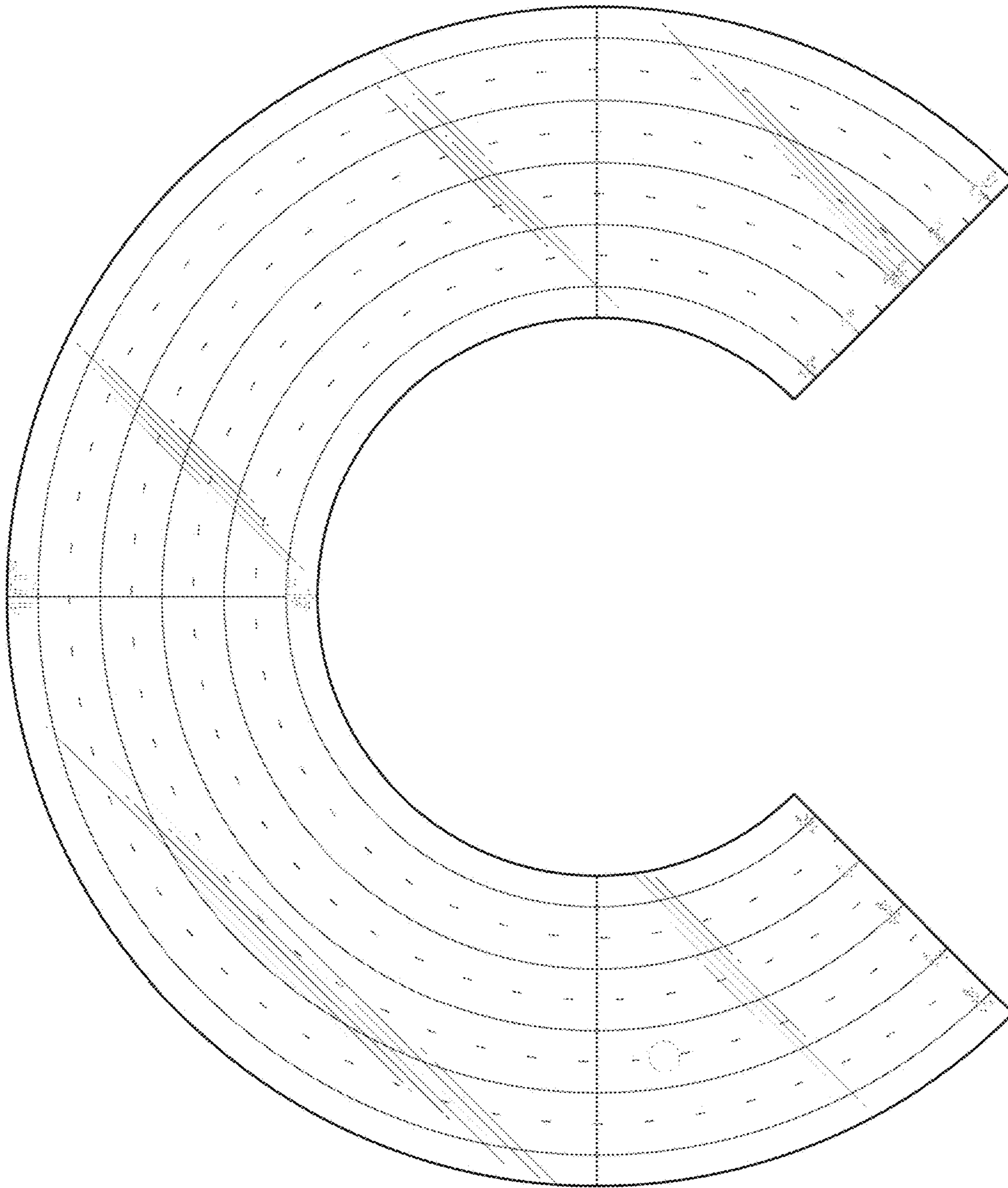


FIG. 3

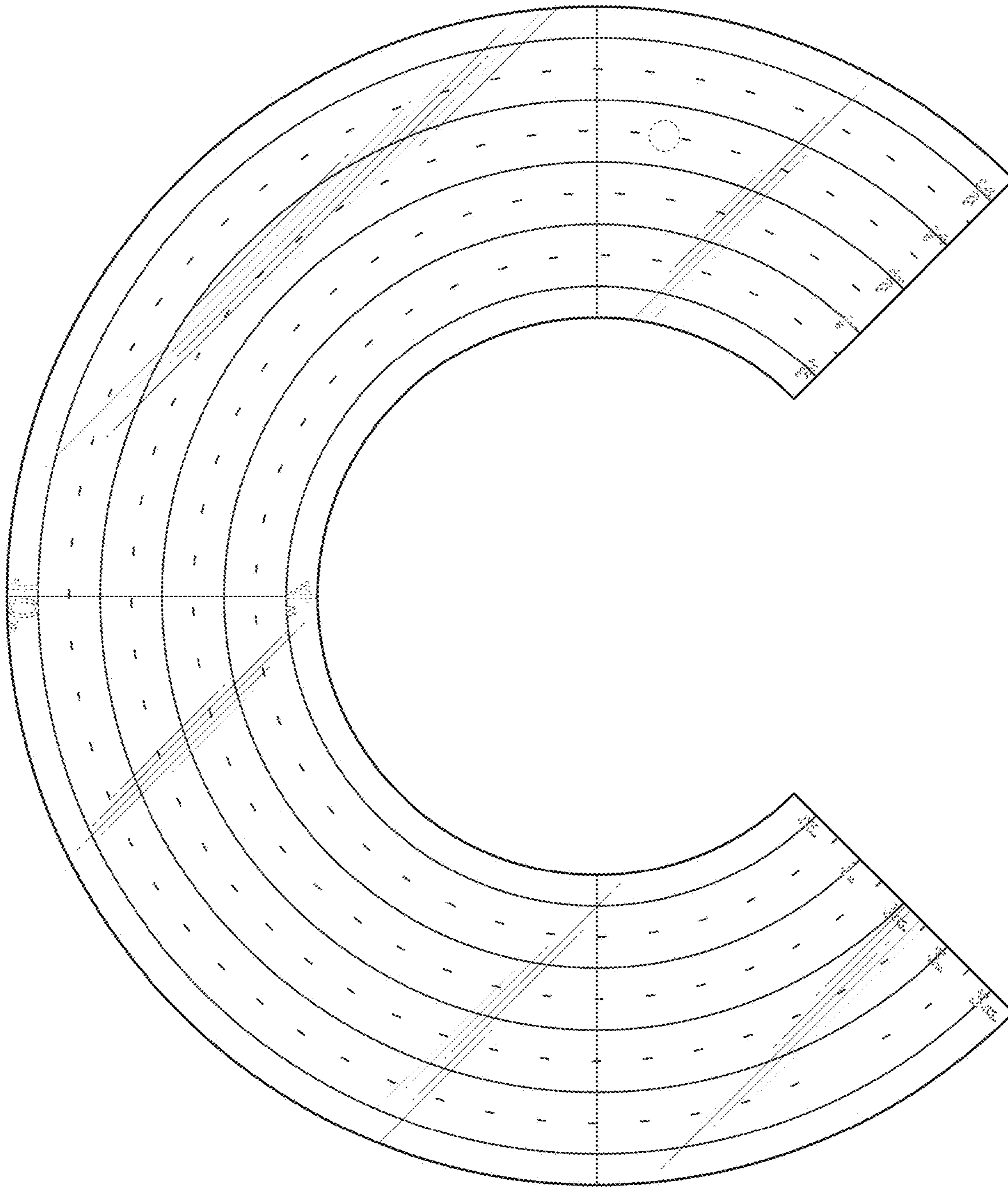


FIG. 4



FIG. 5



FIG. 6



FIG. 7



FIG. 8