



US00D875573S

(12) **United States Design Patent** (10) **Patent No.:** **US D875,573 S**
Gerent et al. (45) **Date of Patent:** **** Feb. 18, 2020**

(54) **SCANNING DEVICE**

(71) Applicant: **HEXAGON METROLOGY, INC.**,
North Kingstown, RI (US)

(72) Inventors: **Gerald Gerent**, Vista, CA (US);
Dongmei Hong, San Diego, CA (US);
Anthony Vianna, Zurich (CH); **David Demiter**, Encinitas, CA (US)

(73) Assignee: **Hexagon Metrology, Inc.**, North
Kingstown, RI (US)

(**) Term: **15 Years**

(21) Appl. No.: **29/664,623**

(22) Filed: **Sep. 26, 2018**

(51) **LOC (12) Cl.** **10-04**

(52) **U.S. Cl.**
USPC **D10/63**

(58) **Field of Classification Search**

USPC D10/63; D15/199
CPC .. G01B 21/047; G01B 21/042; G01B 21/145;
G01B 5/012; G01B 5/016; G01B 5/008;
G01B 11/03; G01B 11/005; G01B 5/004;
G05B 19/00; G05B 19/407; G05B
2219/36452; G05B 2219/36479; G05B
2219/37193; G05B 2219/3744

See application file for complete search history.

(56) **References Cited**

U.S. PATENT DOCUMENTS

| | | | | |
|-----------|-----|---------|----------------|----------------|
| 4,972,090 | A | 11/1990 | Eaton | |
| 5,528,505 | A | 6/1996 | Granger et al. | |
| 5,757,499 | A | 5/1998 | Eaton | |
| 5,829,148 | A | 11/1998 | Eaton | |
| D423,599 | S * | 4/2000 | Au Yeung | D10/46.1 |
| 6,598,306 | B2 | 7/2003 | Eaton | |
| 6,817,108 | B2 | 11/2004 | Eaton | |
| 7,003,892 | B2 | 2/2006 | Eaton et al. | |

(Continued)

Primary Examiner — Antoine Duval Davis

(74) *Attorney, Agent, or Firm* — Knobbe, Martens, Olson & Bear LLP

(57) **CLAIM**

The ornamental design for a scanning device, as shown and described.

DESCRIPTION

FIG. 1 is a front-top-side perspective view of a scanning device showing our new design in accordance with a first embodiment of the invention.

FIG. 2 is a rear-top-side perspective view thereof.

FIG. 3 is a rear view thereof.

FIG. 4 is a front view thereof.

FIG. 5 is a top view thereof.

FIG. 6 is a bottom view thereof.

FIG. 7 is a left side view thereof. The right side view is a mirror image of the left side view.

FIG. 8 is a rear-bottom-side perspective view thereof.

FIG. 9 is a front-top-side perspective view of a scanning device showing our new design in accordance with a second embodiment of the invention.

FIG. 10 is a rear-top-side perspective view thereof.

FIG. 11 is a rear view thereof.

FIG. 12 is a front view thereof.

FIG. 13 is a top view thereof.

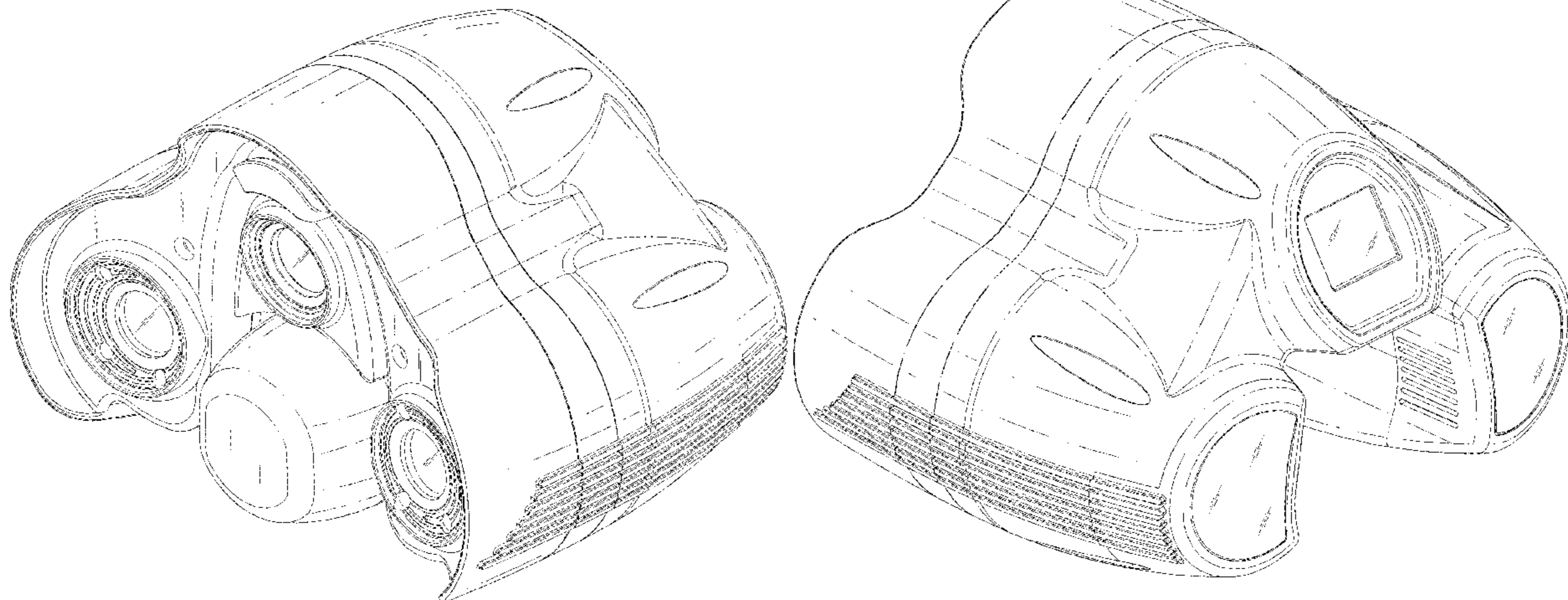
FIG. 14 is a bottom view thereof.

FIG. 15 is a left side view thereof. The right side view is a mirror image of the left side view; and,

FIG. 16 is a rear-bottom-side perspective view thereof.

The broken lines, where shown, are for illustrative purposes only and form no part of the claimed design. However, in embodiments other than those illustrated, lines that are currently illustrated as broken may be redrawn as solid lines, and lines that are currently illustrated as solid may be redrawn as broken lines. The scope of the present disclosure encompasses all lines illustrated, whether broken or solid.

1 Claim, 16 Drawing Sheets



(56)

References Cited

U.S. PATENT DOCUMENTS

| | | | | | |
|--------------|---------|-------------------|-----------------|---------|-------------------|
| 7,152,456 B2 | 12/2006 | Eaton | 9,360,301 B2 | 6/2016 | Bridges et al. |
| 7,246,030 B2 | 7/2007 | Raab et al. | 9,448,059 B2 | 9/2016 | Bridges et al. |
| 7,441,341 B2 | 10/2008 | Eaton | 9,453,717 B2 | 9/2016 | Bridges |
| 7,519,493 B2 | 4/2009 | Atwell et al. | 9,482,514 B2 | 11/2016 | Bridges |
| 7,525,276 B2 | 4/2009 | Eaton | 9,482,529 B2 | 11/2016 | Becker et al. |
| 7,546,689 B2 | 6/2009 | Ferrari et al. | 9,494,412 B2 | 11/2016 | Tohme et al. |
| 7,568,293 B2 | 8/2009 | Ferrari | 9,551,558 B2 | 1/2017 | Ferrari et al. |
| 7,578,069 B2 | 8/2009 | Eaton | 9,594,250 B2 | 3/2017 | Tait et al. |
| D599,226 S | 9/2009 | Gerent et al. | 9,599,455 B2 | 3/2017 | Heidemann et al. |
| 7,624,510 B2 | 12/2009 | Ferrari | 9,602,811 B2 | 3/2017 | Hillebrand et al. |
| 7,640,674 B2 | 1/2010 | Ferrari et al. | 9,607,239 B2 | 3/2017 | Bridges et al. |
| D610,926 S | 3/2010 | Gerent et al. | 9,618,330 B2 | 4/2017 | Ferrari |
| 7,693,325 B2 | 4/2010 | Pulla et al. | 9,628,775 B2 | 4/2017 | Bridges et al. |
| 7,743,524 B2 | 6/2010 | Eaton et al. | 9,656,390 B2 | 5/2017 | Telling |
| 7,774,949 B2 | 8/2010 | Ferrari | 9,671,221 B2 | 6/2017 | Ruhland et al. |
| 7,779,548 B2 | 8/2010 | Ferrari | 9,678,211 B2 | 6/2017 | Ossig et al. |
| 7,805,854 B2 | 10/2010 | Eaton | 9,686,532 B2 | 6/2017 | Tohme |
| 7,908,757 B2 | 3/2011 | Ferrari | 9,693,040 B2 | 6/2017 | Hillebrand et al. |
| 7,984,558 B2 | 7/2011 | Ferrari | 9,696,129 B2 | 7/2017 | Tait |
| D643,319 S | 8/2011 | Ferrari et al. | 9,734,609 B2 | 8/2017 | Pulla et al. |
| 8,015,721 B2 | 9/2011 | Eaton et al. | 9,759,540 B2 | 9/2017 | Ferrari et al. |
| 8,082,673 B2 | 12/2011 | Desforgets et al. | 9,769,463 B2 | 9/2017 | Hillebrand et al. |
| 8,099,877 B2 | 1/2012 | Champ | 9,772,173 B2 | 9/2017 | Atwell et al. |
| 8,104,189 B2 | 1/2012 | Tait | 9,803,967 B2 | 10/2017 | Tait et al. |
| 8,112,896 B2 | 2/2012 | Ferrari et al. | 9,858,682 B2 | 1/2018 | Heidemann et al. |
| 8,122,610 B2 | 2/2012 | Tait et al. | 9,879,975 B2 | 1/2018 | Hillebrand et al. |
| 8,123,350 B2 | 2/2012 | Cannell et al. | 9,879,976 B2 | 1/2018 | Bridges et al. |
| 8,127,458 B1 | 3/2012 | Ferrari | 9,879,983 B2 | 1/2018 | Kaufman et al. |
| 8,151,477 B2 | 4/2012 | Tait | 9,909,855 B2 | 3/2018 | Becker et al. |
| D659,035 S | 5/2012 | Ferrari et al. | 9,910,126 B2 | 3/2018 | Bridges et al. |
| 8,176,646 B2 | 5/2012 | Ferrari | 9,915,521 B2 | 3/2018 | Hillebrand et al. |
| 8,201,341 B2 | 6/2012 | Ferrari | 9,964,398 B2 | 5/2018 | Becker et al. |
| 8,220,173 B2 | 7/2012 | Tait | 9,964,402 B2 | 5/2018 | Tohme et al. |
| 8,229,208 B2 | 7/2012 | Pulla et al. | 9,967,545 B2 | 5/2018 | Tohme |
| 8,284,407 B2 | 10/2012 | Briggs et al. | 9,989,348 B2 | 6/2018 | Desforgets et al. |
| 8,327,555 B2 | 12/2012 | Champ | 9,989,357 B2 | 6/2018 | Heidemann et al. |
| 8,336,220 B2 | 12/2012 | Eaton et al. | 10,021,379 B2 | 7/2018 | Bridges |
| 8,402,669 B2 | 3/2013 | Ferrari et al. | 10,036,627 B2 | 7/2018 | Ferrari et al. |
| 8,407,907 B2 | 4/2013 | Tait | 10,060,722 B2 | 8/2018 | Bridges et al. |
| 8,429,828 B2 | 4/2013 | Ferrari | 10,070,116 B2 | 9/2018 | Hillebrand et al. |
| 8,438,747 B2 | 5/2013 | Ferrari | 10,088,296 B2 | 10/2018 | Hillebrand et al. |
| 8,453,338 B2 | 6/2013 | Ferrari | 10,089,415 B2 | 10/2018 | Grau |
| D687,322 S | 8/2013 | Ferrari et al. | 10,108,829 B2 | 10/2018 | Telling |
| 8,533,967 B2 | 9/2013 | Bailey et al. | 10,109,033 B2 | 10/2018 | Becker et al. |
| 8,537,374 B2 | 9/2013 | Briggs et al. | 10,119,805 B2 | 11/2018 | Becker et al. |
| 8,572,858 B2 | 11/2013 | Raab et al. | 10,126,116 B2 | 11/2018 | Becker et al. |
| 8,683,709 B2 | 4/2014 | York | 2009/0243532 A1 | 10/2009 | Eaton |
| 8,701,299 B2 | 4/2014 | Tait | 2009/0296105 A1 | 12/2009 | Ferrari et al. |
| 8,707,572 B2 | 4/2014 | Desforgets et al. | 2011/0112786 A1 | 5/2011 | Desforgets et al. |
| 8,763,267 B2 | 7/2014 | Duportal et al. | 2011/0213247 A1 | 9/2011 | Shammas |
| 8,792,709 B2 | 7/2014 | Pulla et al. | 2012/0191409 A1 | 7/2012 | Tait et al. |
| 8,832,954 B2 | 9/2014 | Atwell et al. | 2016/0129594 A1 | 5/2016 | Telling |
| 8,844,151 B2 | 9/2014 | Ferrari et al. | 2016/0349746 A1 | 12/2016 | Grau |
| 8,848,203 B2 | 9/2014 | Bridges et al. | 2016/0364874 A1 | 12/2016 | Tohme et al. |
| 8,898,919 B2 | 12/2014 | Bridges et al. | 2016/0370171 A1 | 12/2016 | Bridges |
| 8,955,229 B2 | 2/2015 | Ferrari | 2017/0054965 A1 | 2/2017 | Raab et al. |
| 8,970,823 B2 | 3/2015 | Heidemann et al. | 2017/0094251 A1 | 3/2017 | Wolke et al. |
| 9,041,914 B2 | 5/2015 | Tohme et al. | 2017/0186183 A1 | 6/2017 | Armstrong et al. |
| 9,046,360 B2 | 6/2015 | Atwell et al. | 2017/0188015 A1 | 6/2017 | Heidemann et al. |
| 9,069,355 B2 | 6/2015 | Tait et al. | 2017/0241768 A1 | 8/2017 | Tait et al. |
| 9,091,529 B2 | 7/2015 | Bridges et al. | 2017/0248408 A1 | 8/2017 | Ferrari |
| 9,113,154 B2 | 8/2015 | Bridges et al. | 2017/0276472 A1 | 9/2017 | Becker et al. |
| 9,115,986 B2 | 8/2015 | Heidemann et al. | 2017/0332069 A1 | 11/2017 | Hillebrand et al. |
| 9,151,830 B2 | 10/2015 | Bridges | 2018/0023935 A1 | 1/2018 | Atwell et al. |
| 9,163,921 B2 | 10/2015 | Tait et al. | 2018/0063510 A1 | 3/2018 | Wolke et al. |
| 9,170,098 B2 | 10/2015 | Gong et al. | 2018/0071914 A1 | 3/2018 | Heidemann et al. |
| 9,188,430 B2 | 11/2015 | Atwell et al. | 2018/0073850 A1 | 3/2018 | Ferrari et al. |
| 9,207,309 B2 | 12/2015 | Bridges | 2018/0164090 A1 | 6/2018 | Hillebrand et al. |
| 9,217,637 B2 | 12/2015 | Geidemann et al. | 2018/0172428 A1 | 6/2018 | Bridges et al. |
| 9,228,816 B2 | 1/2016 | Grau | 2018/0196116 A1 | 7/2018 | Bridges et al. |
| 9,245,346 B2 | 1/2016 | Bartmann et al. | 2018/0224270 A1 | 8/2018 | Wolke et al. |
| 9,250,214 B2 | 2/2016 | Ferrari et al. | 2018/0238681 A1 | 8/2018 | Tohme et al. |
| 9,342,890 B2 | 5/2016 | Becker et al. | 2018/0240241 A1 | 8/2018 | Armstrong et al. |
| 9,360,290 B2 | 6/2016 | Tait | 2018/0274910 A1 | 9/2018 | Heidemann et al. |
| 9,360,291 B2 | 6/2016 | Desforgets et al. | 2018/0321383 A1 | 11/2018 | Heidemann et al. |
| | | | 2018/0336690 A1 | 11/2018 | Becker et al. |

* cited by examiner

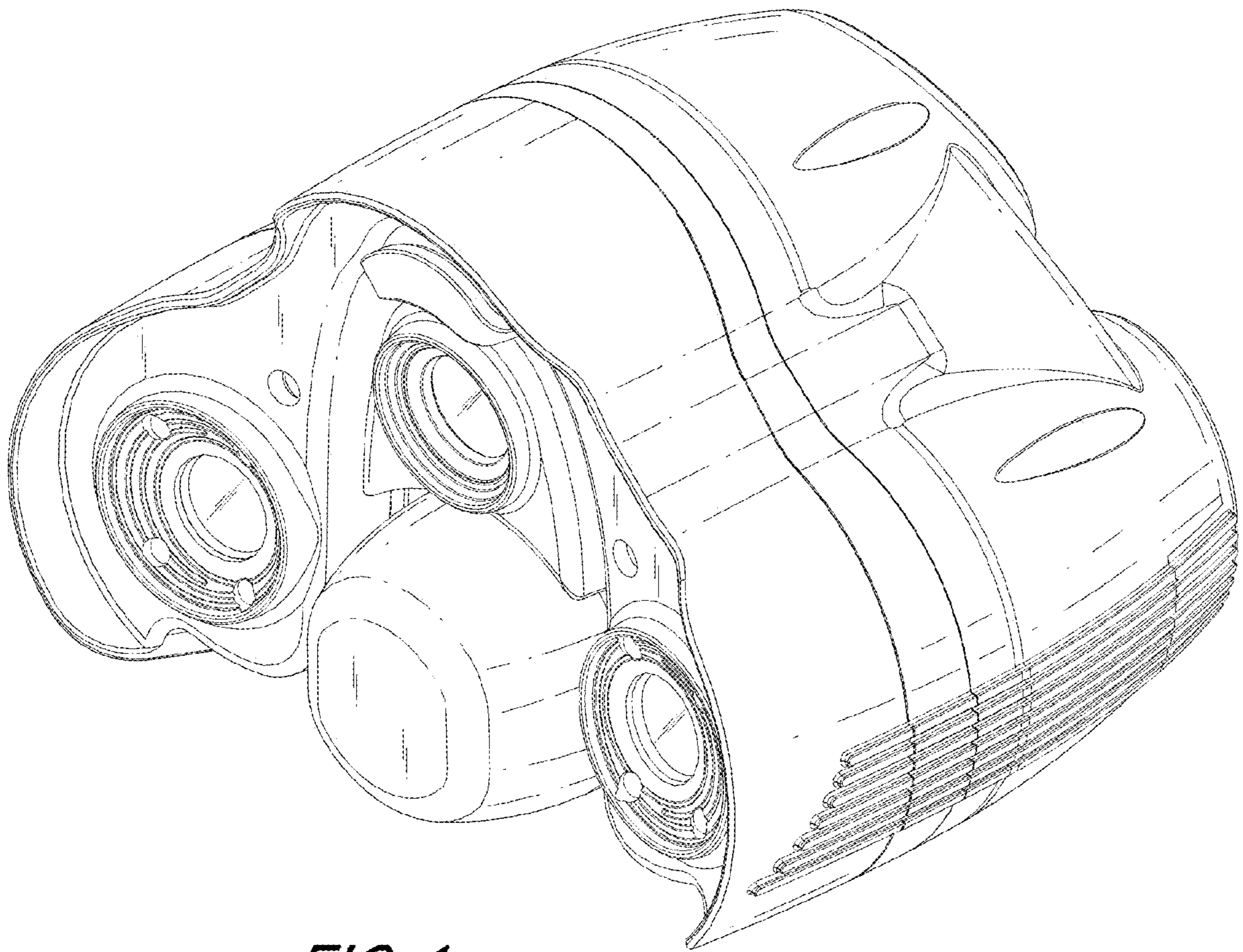


FIG. 1

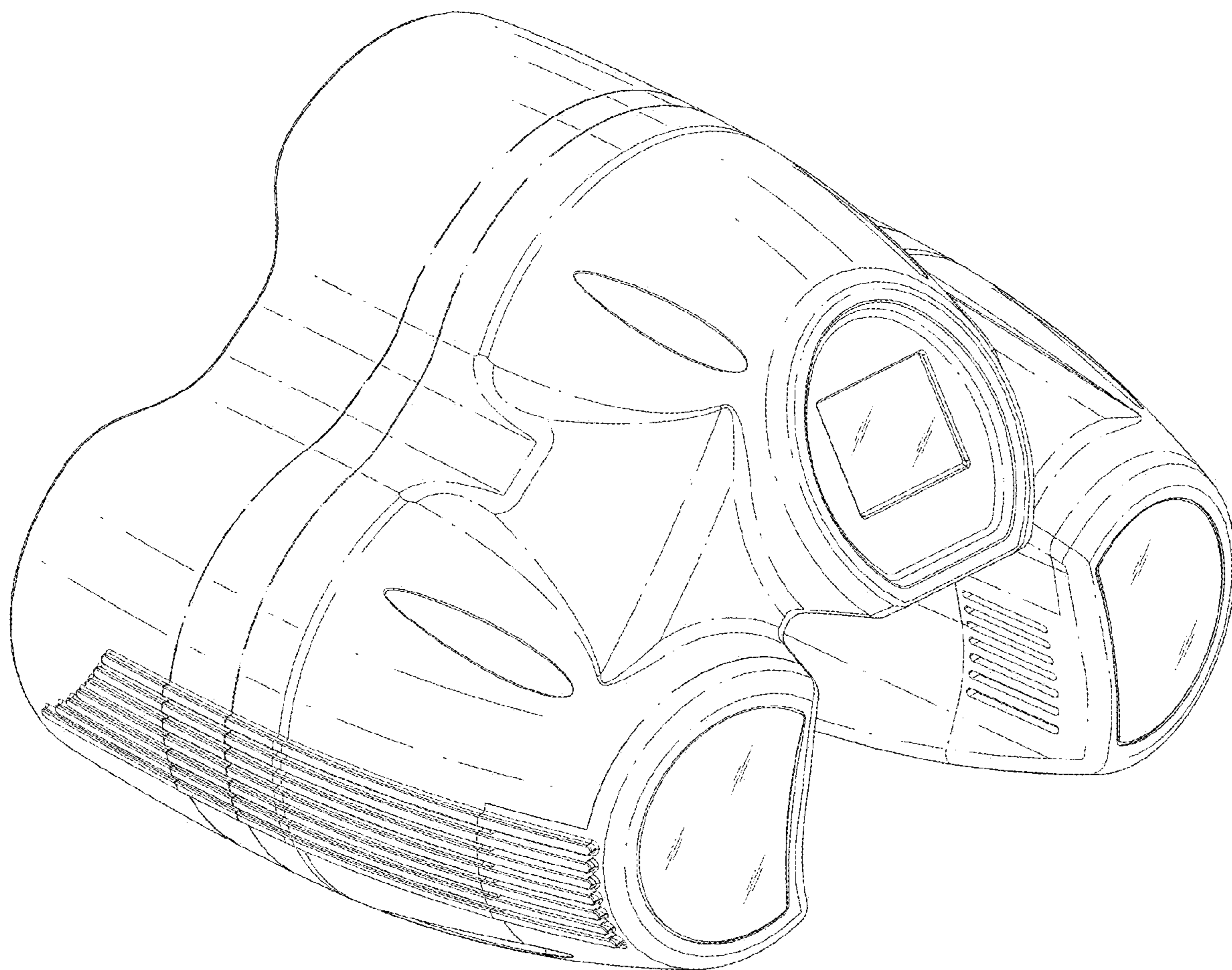


FIG. 2

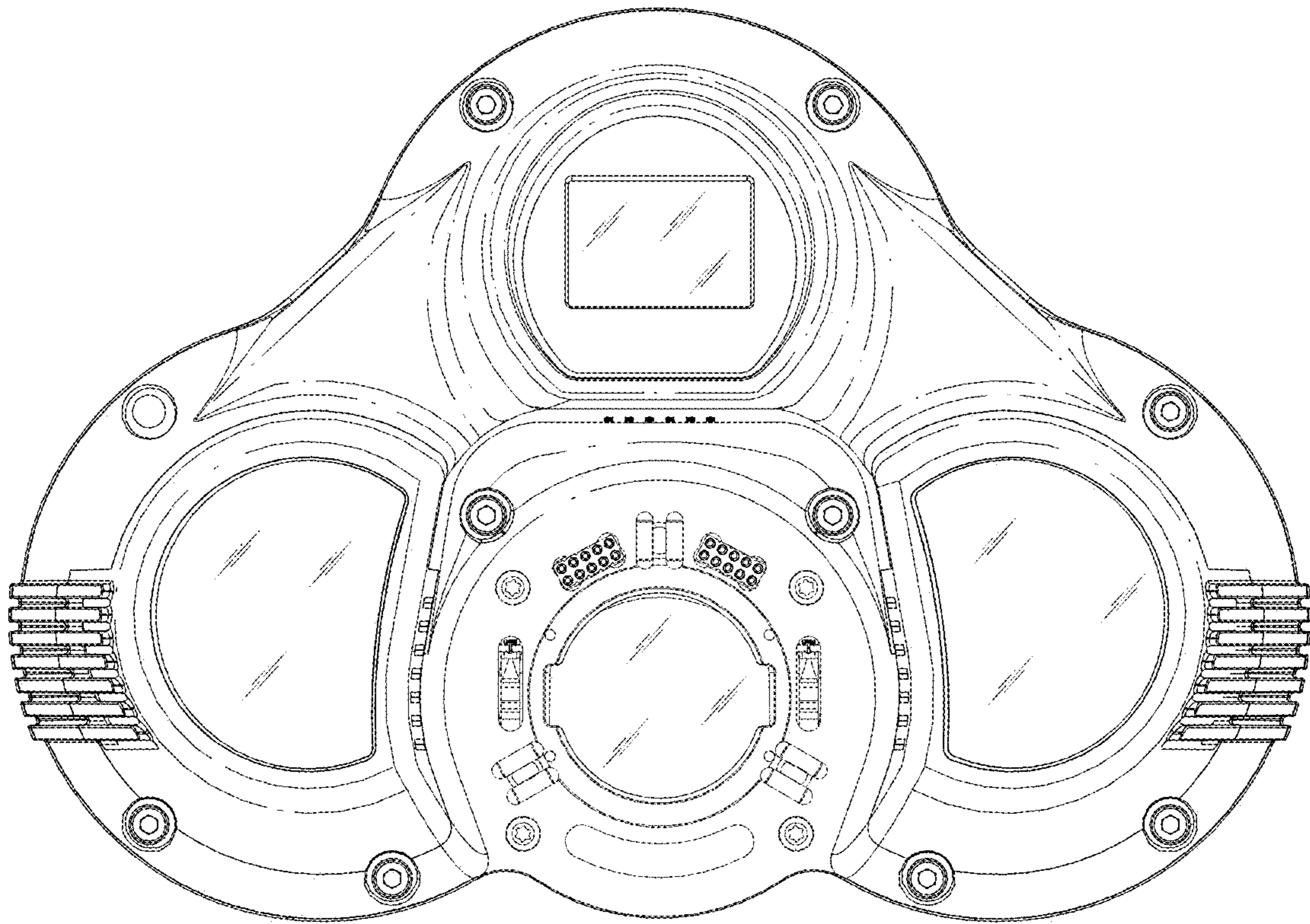


FIG. 3

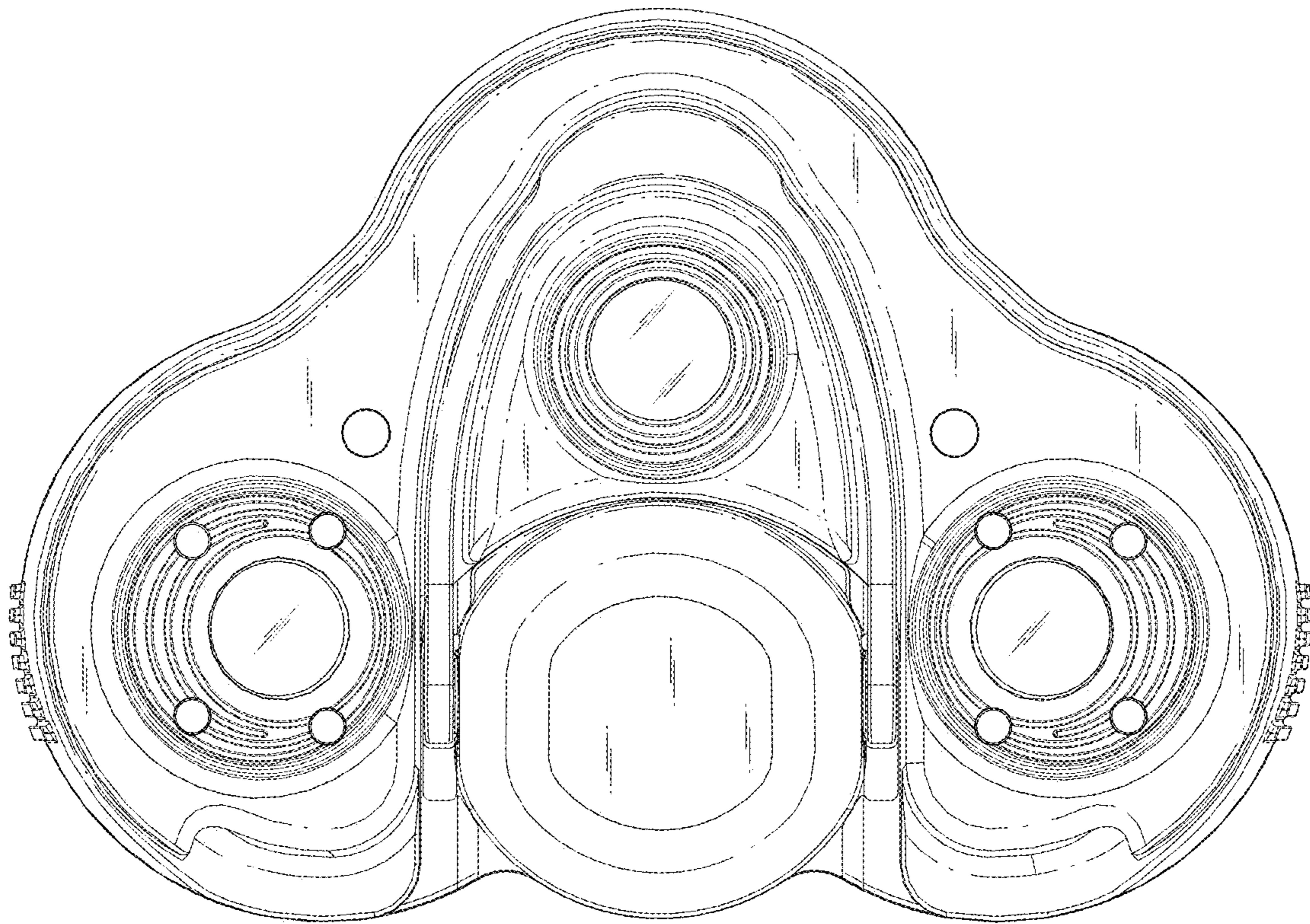


FIG. 4

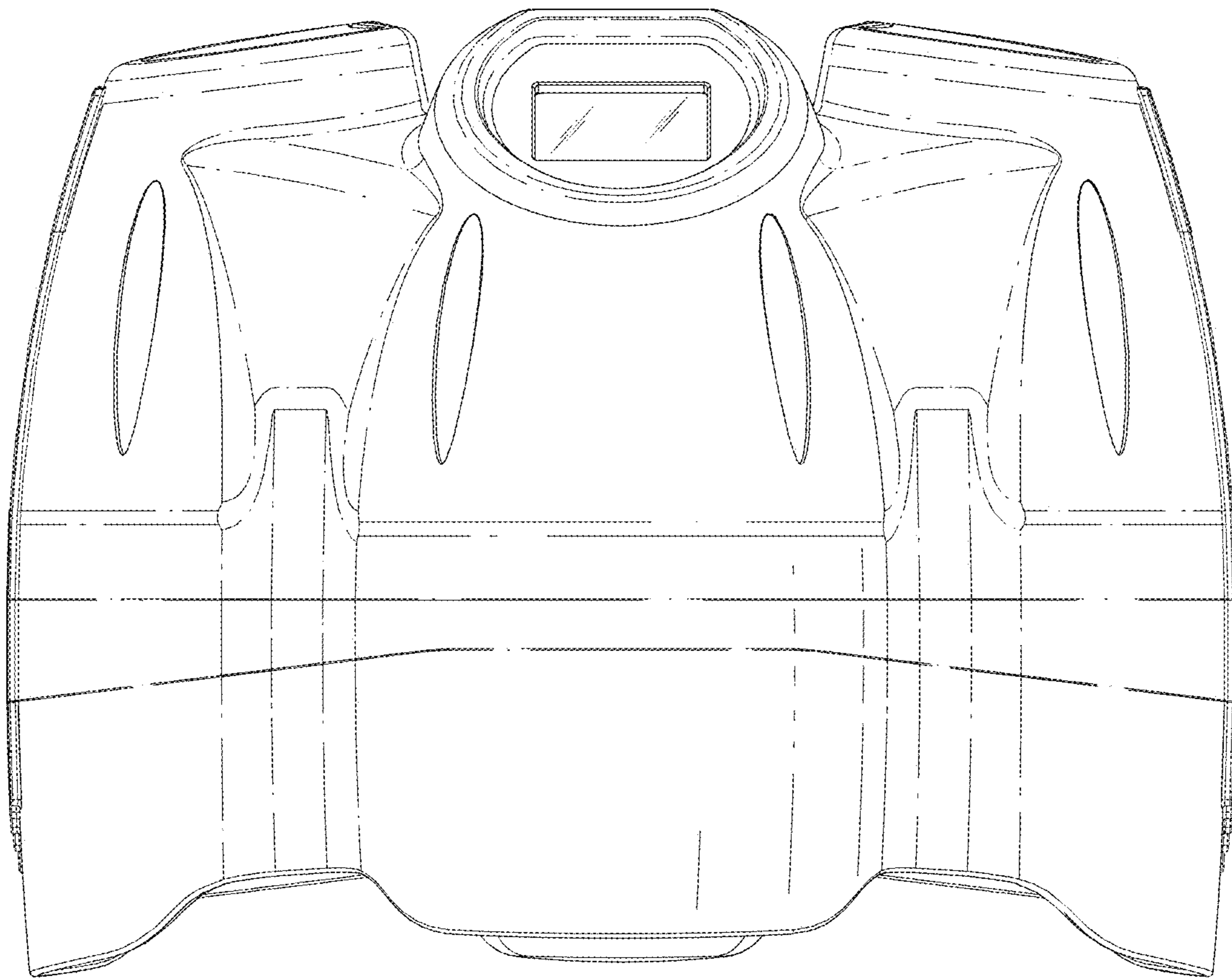


FIG. 5

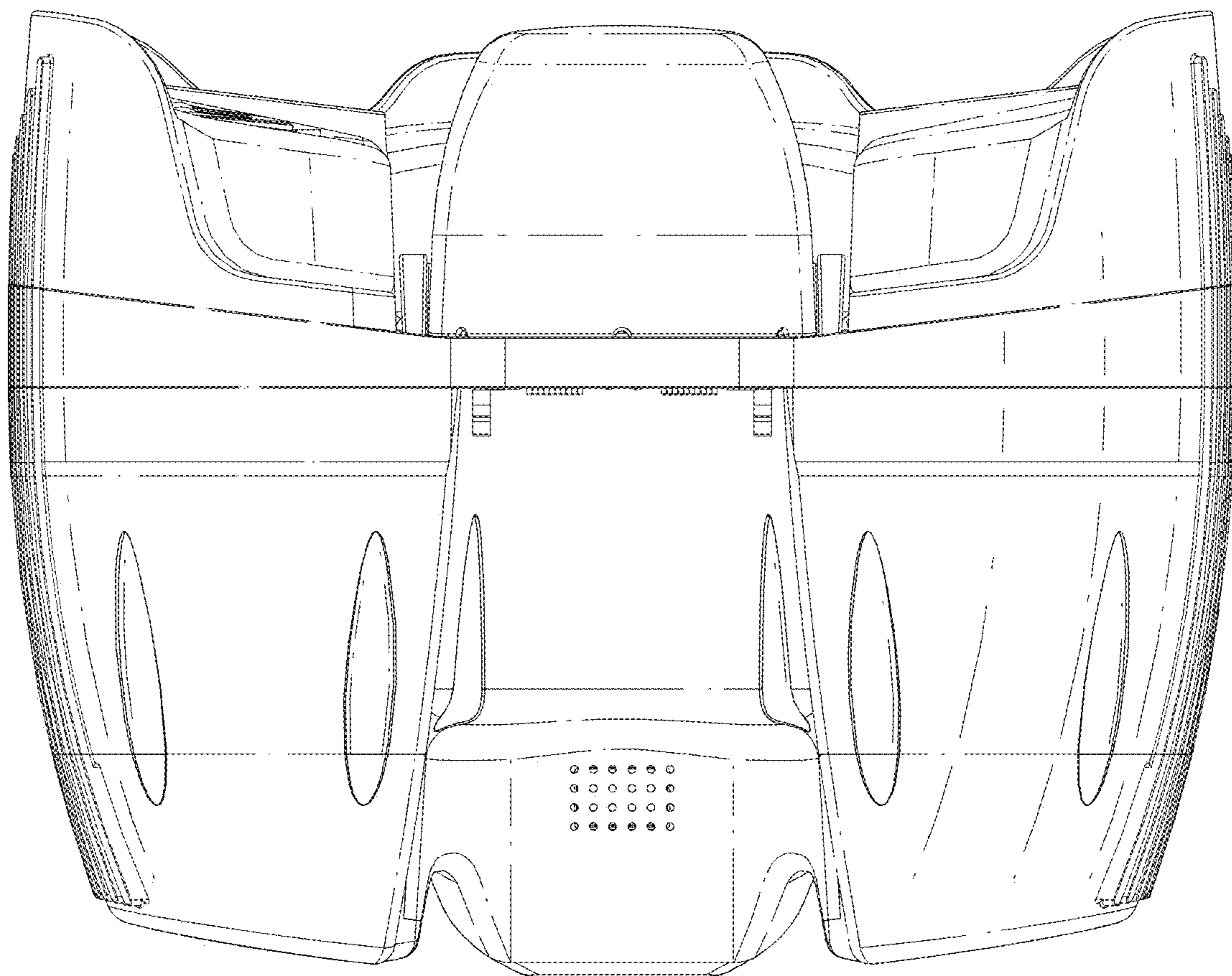


FIG. 6

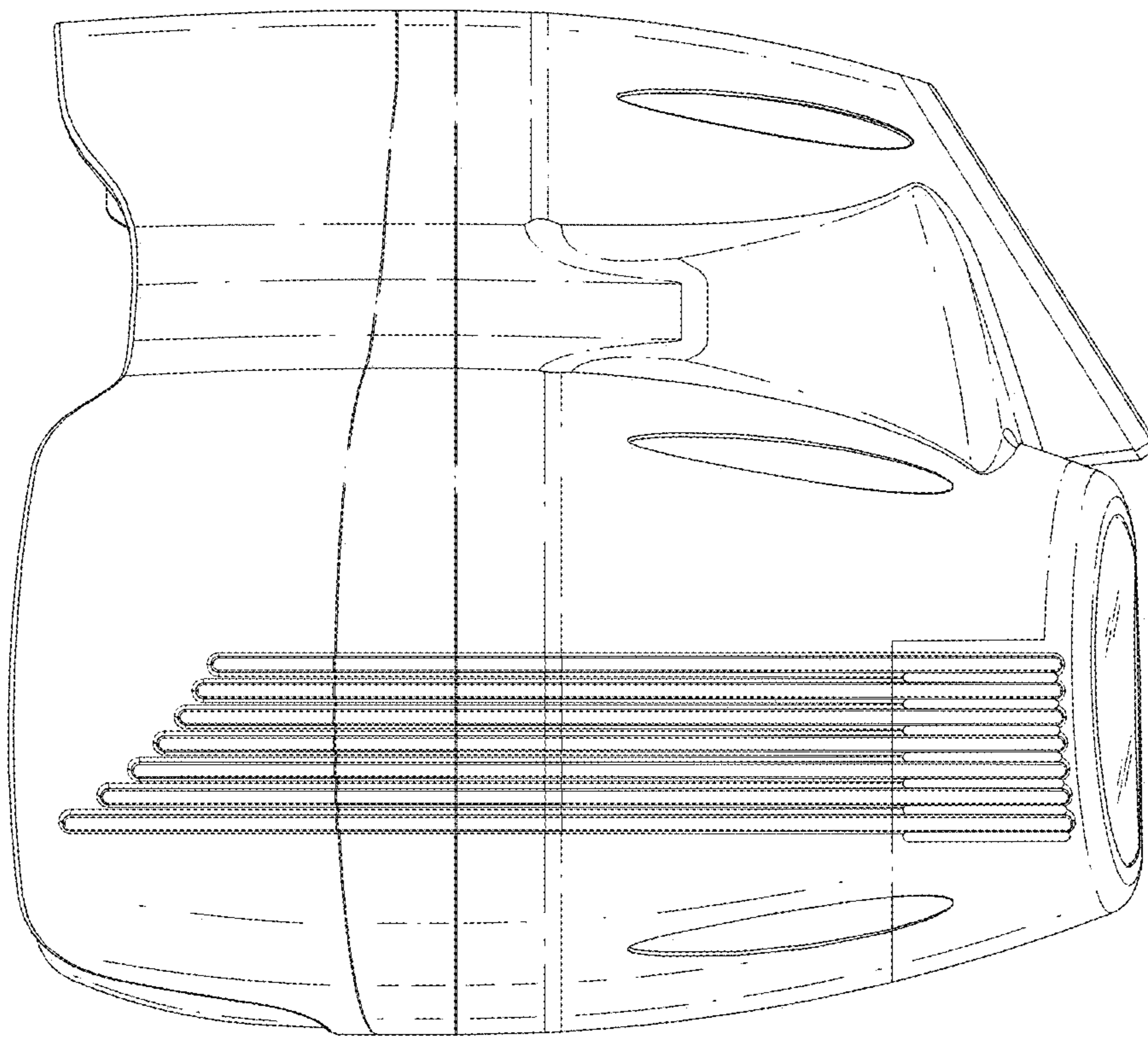


FIG. 7

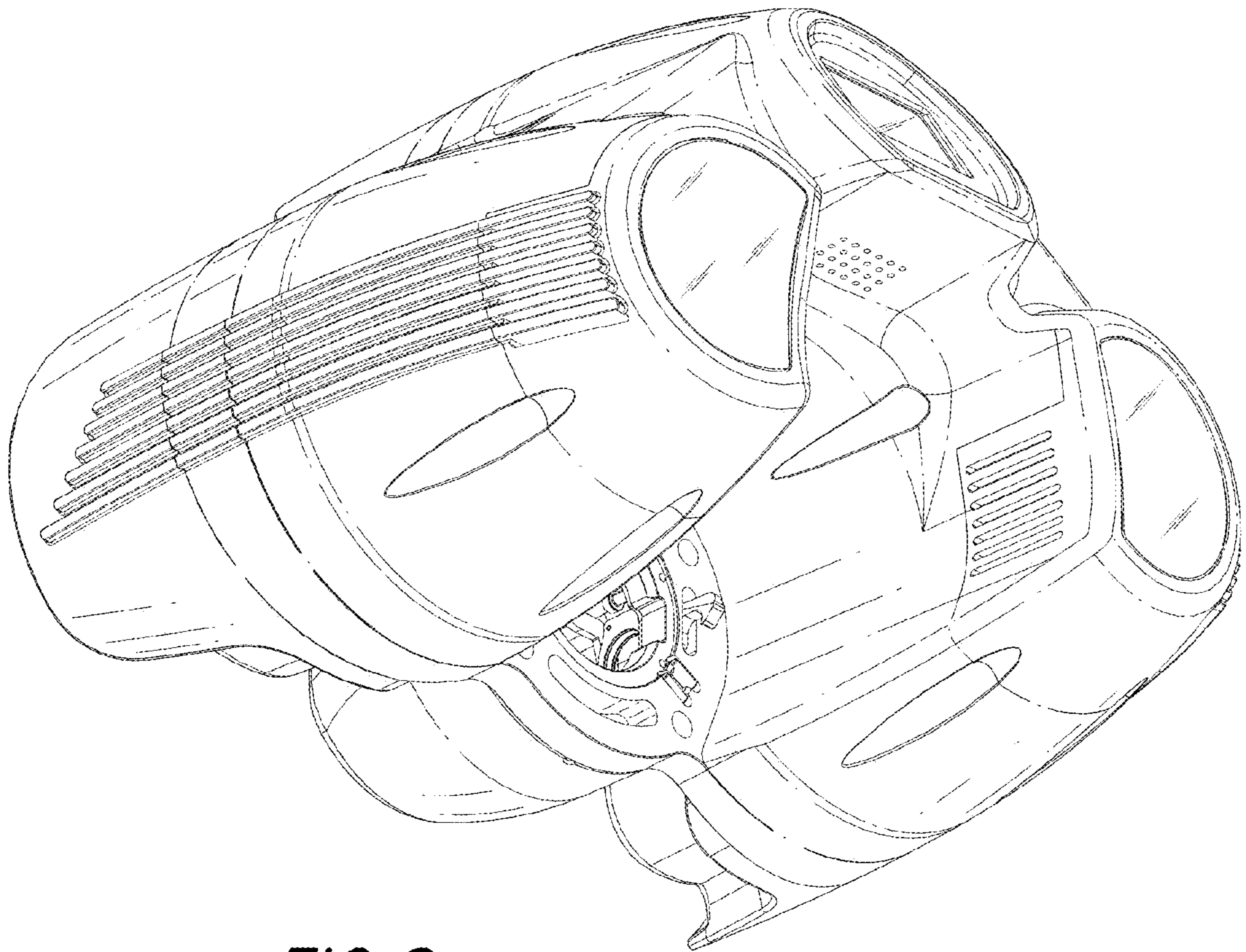


FIG. 8

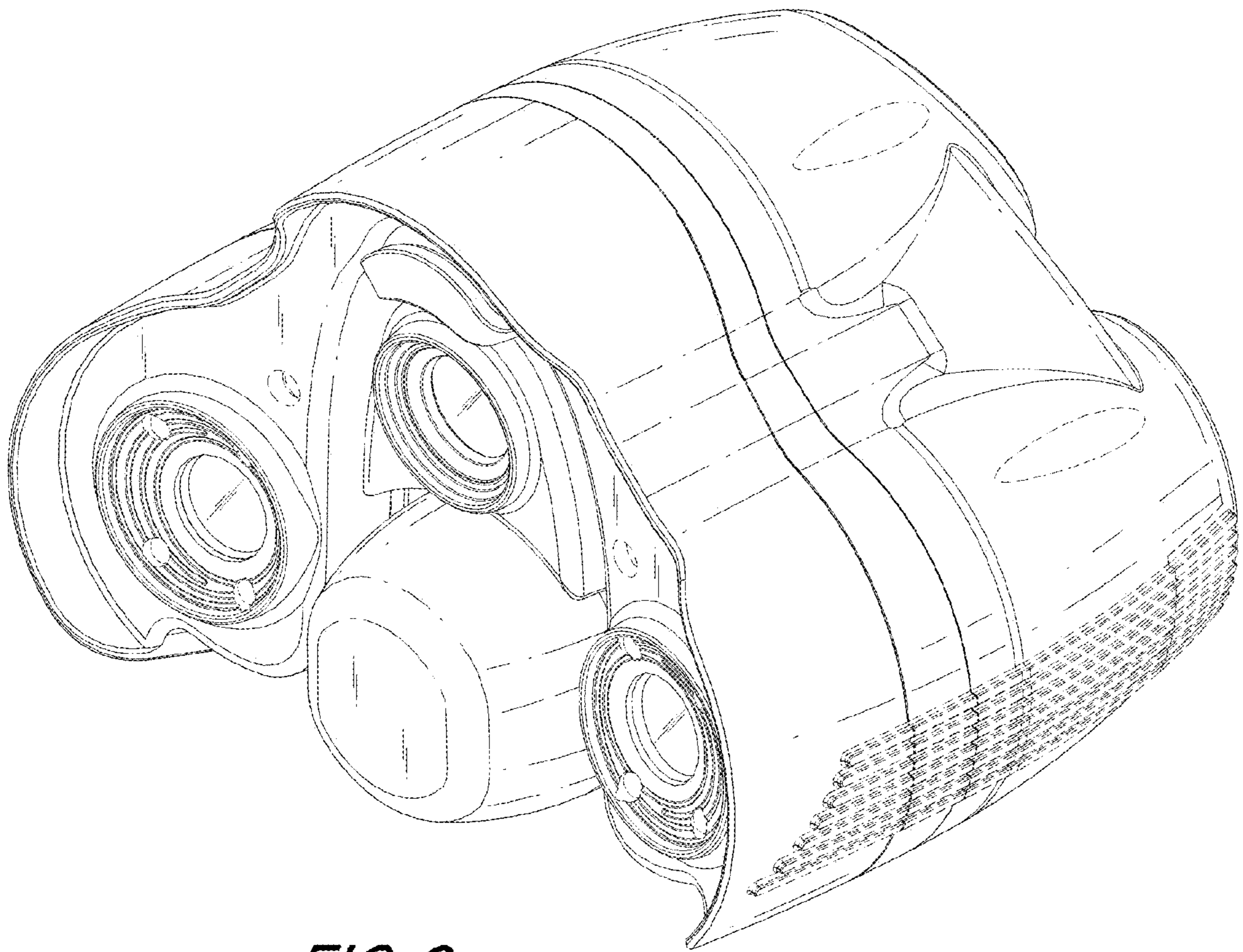


FIG. 9

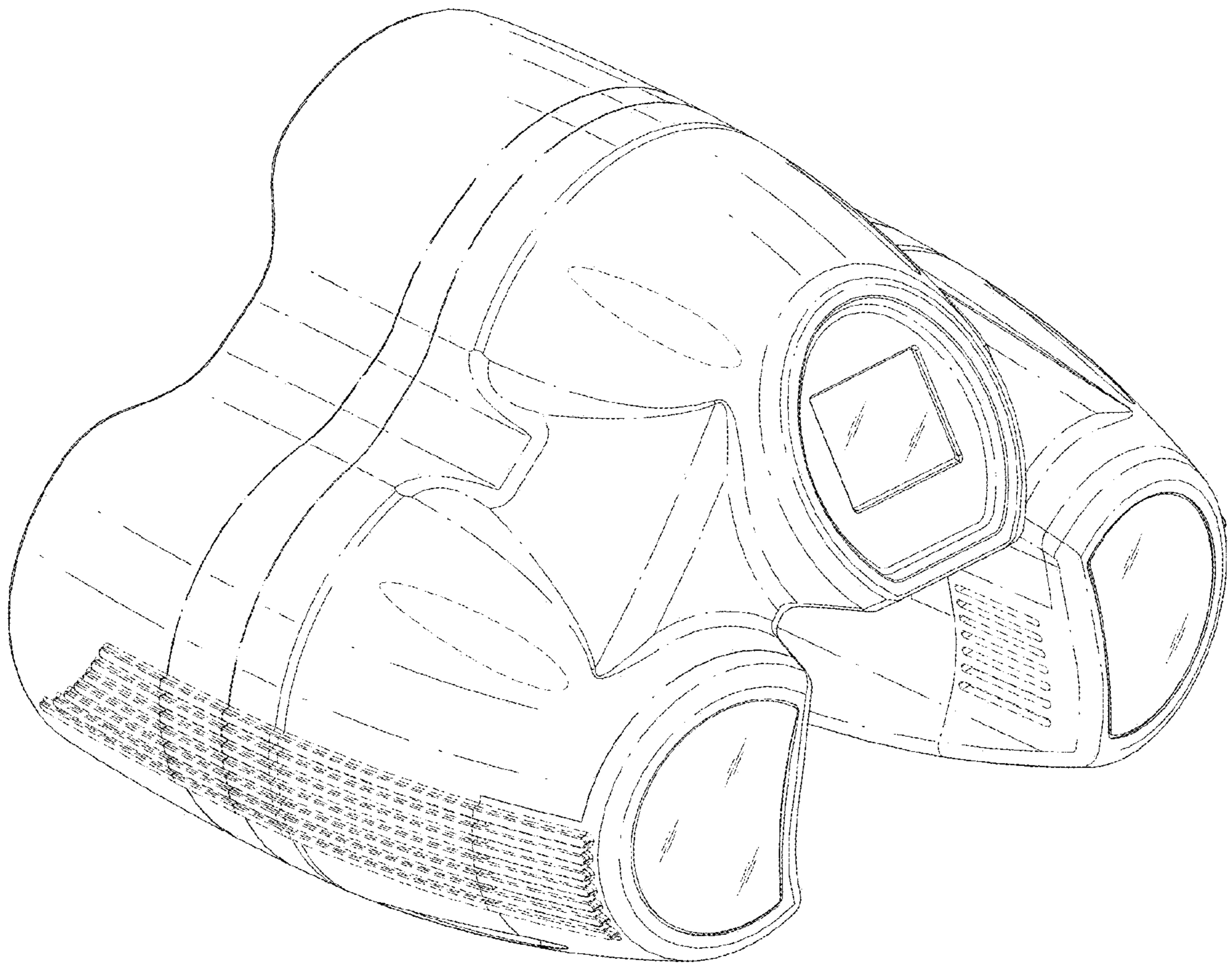


FIG. 10

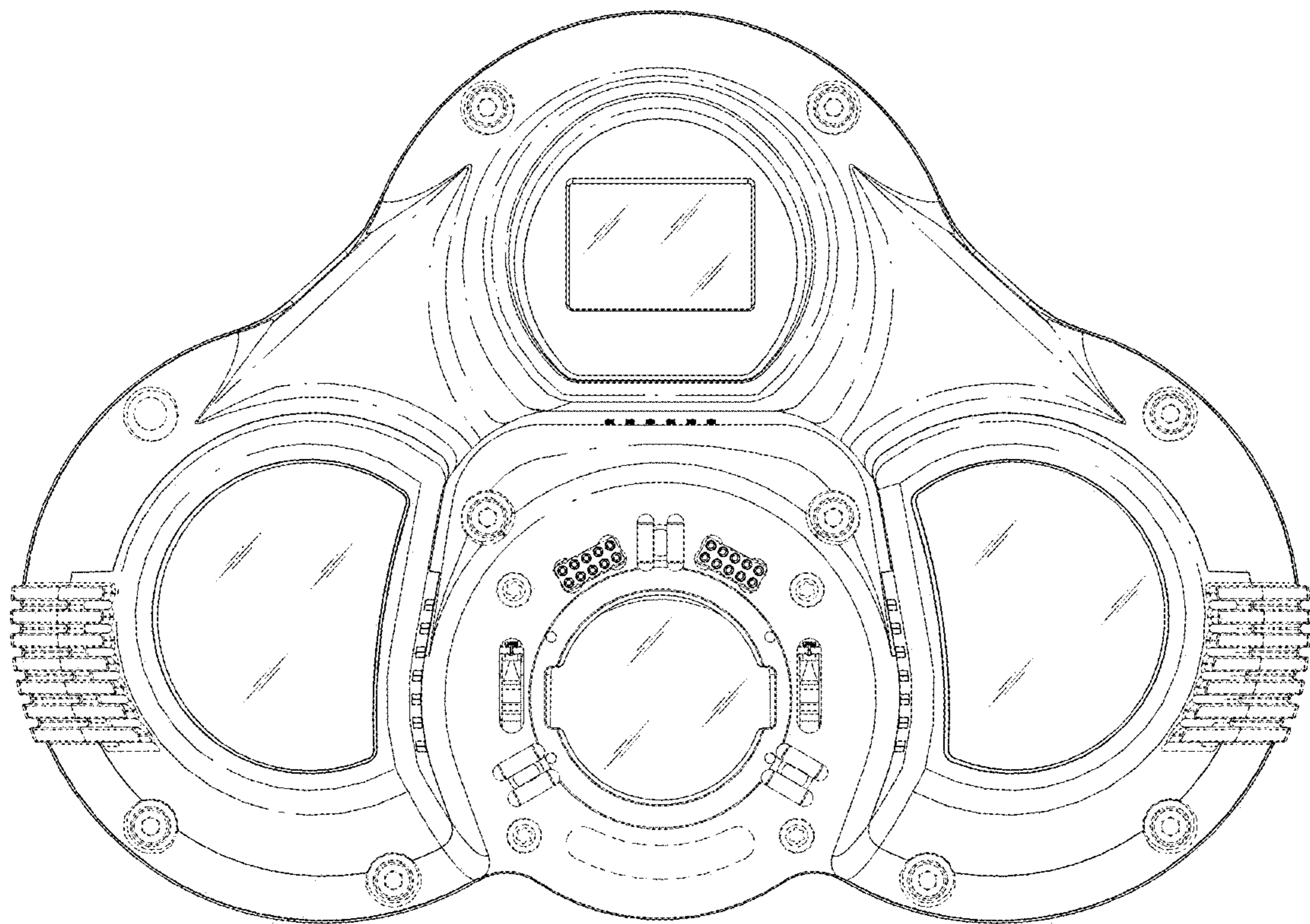


FIG. 11

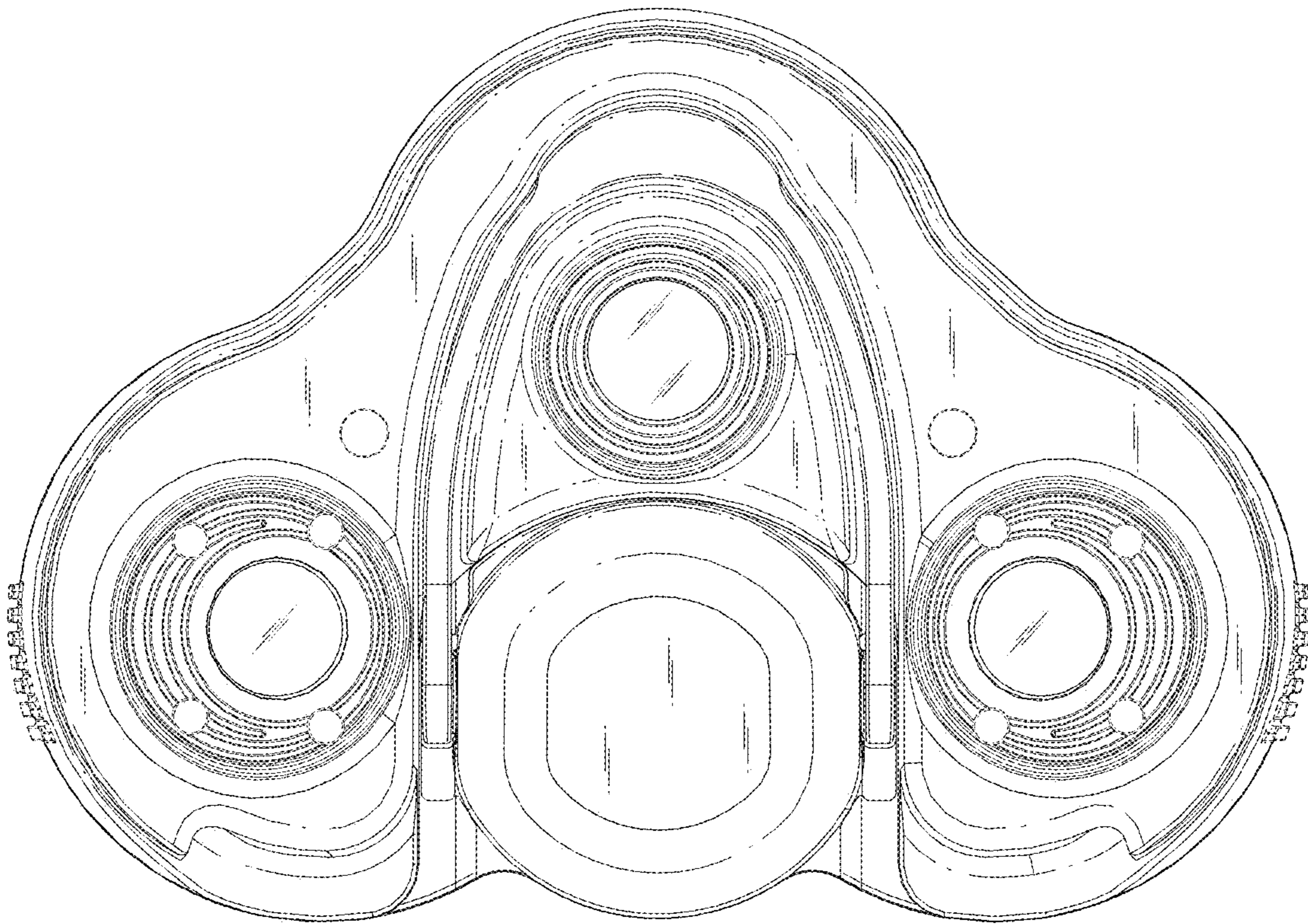


FIG. 12

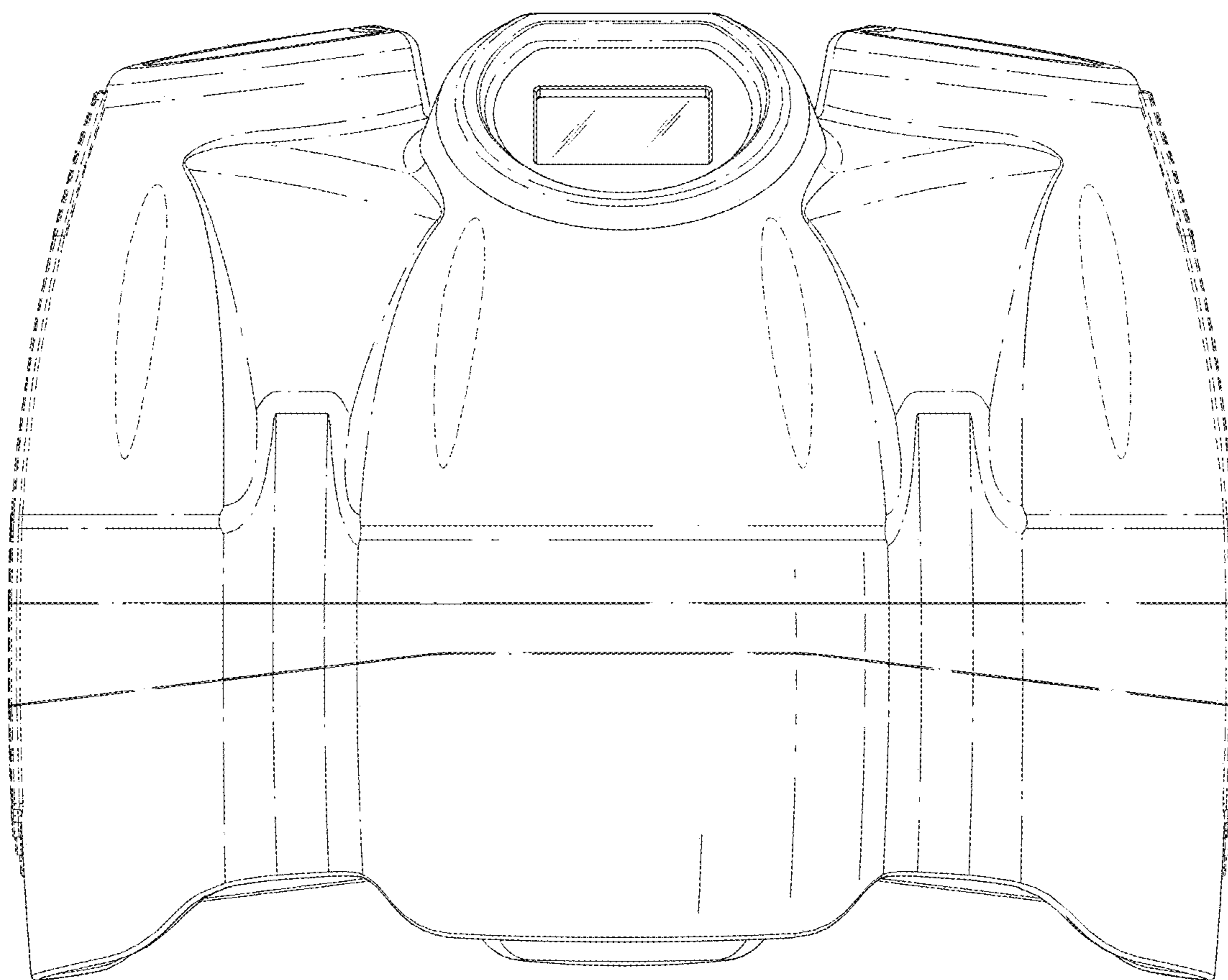


FIG. 13

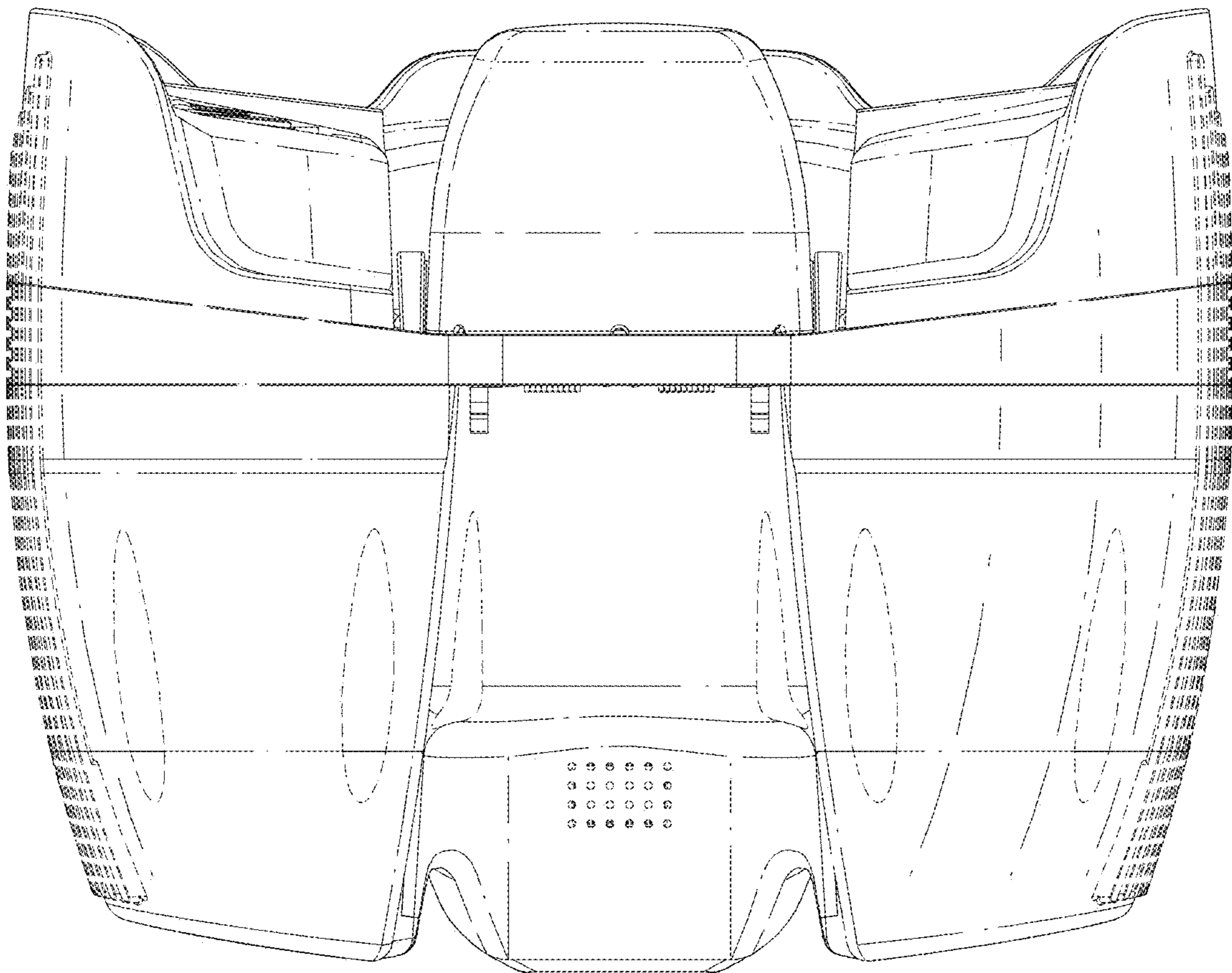


FIG. 14

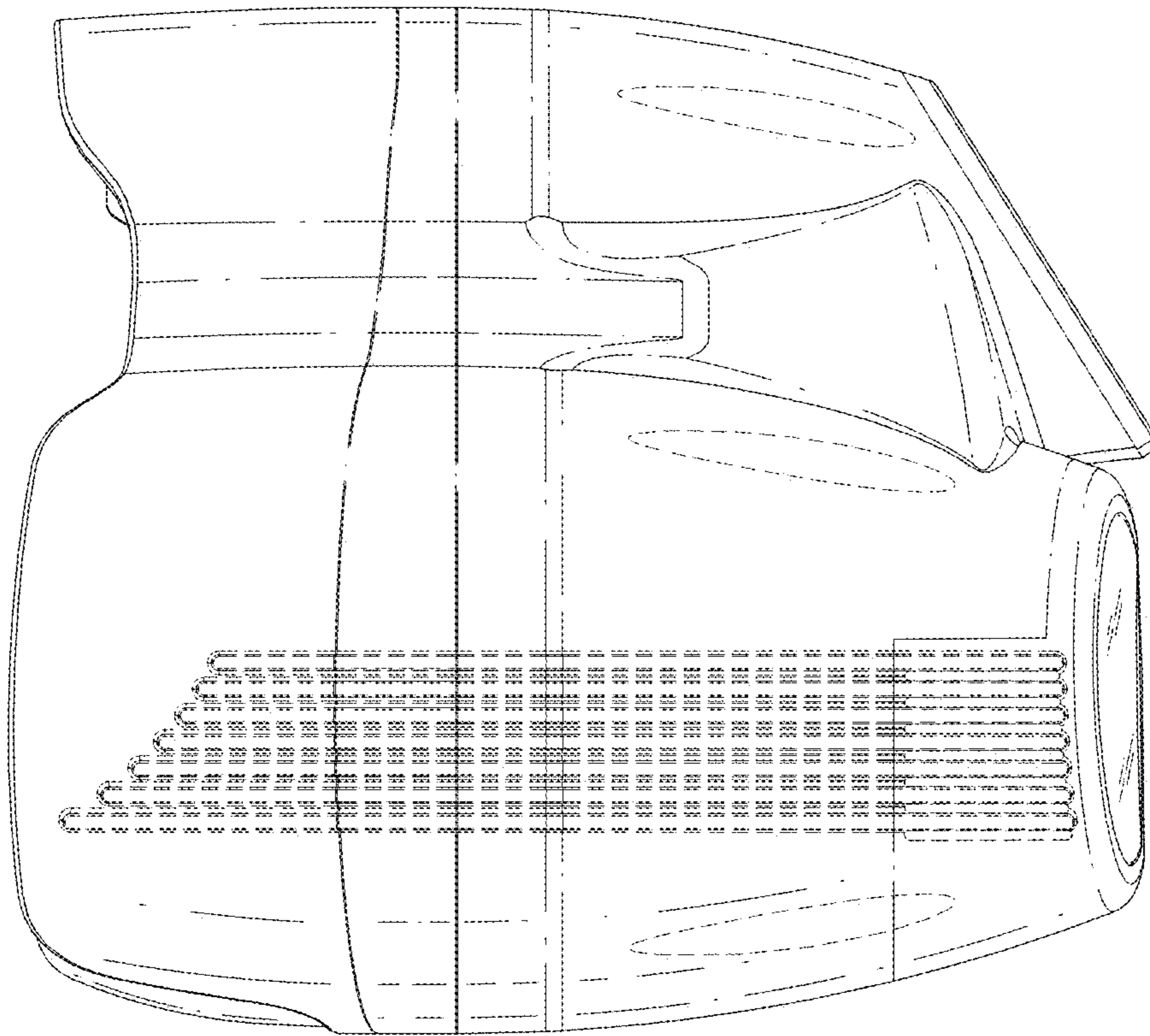


FIG. 15

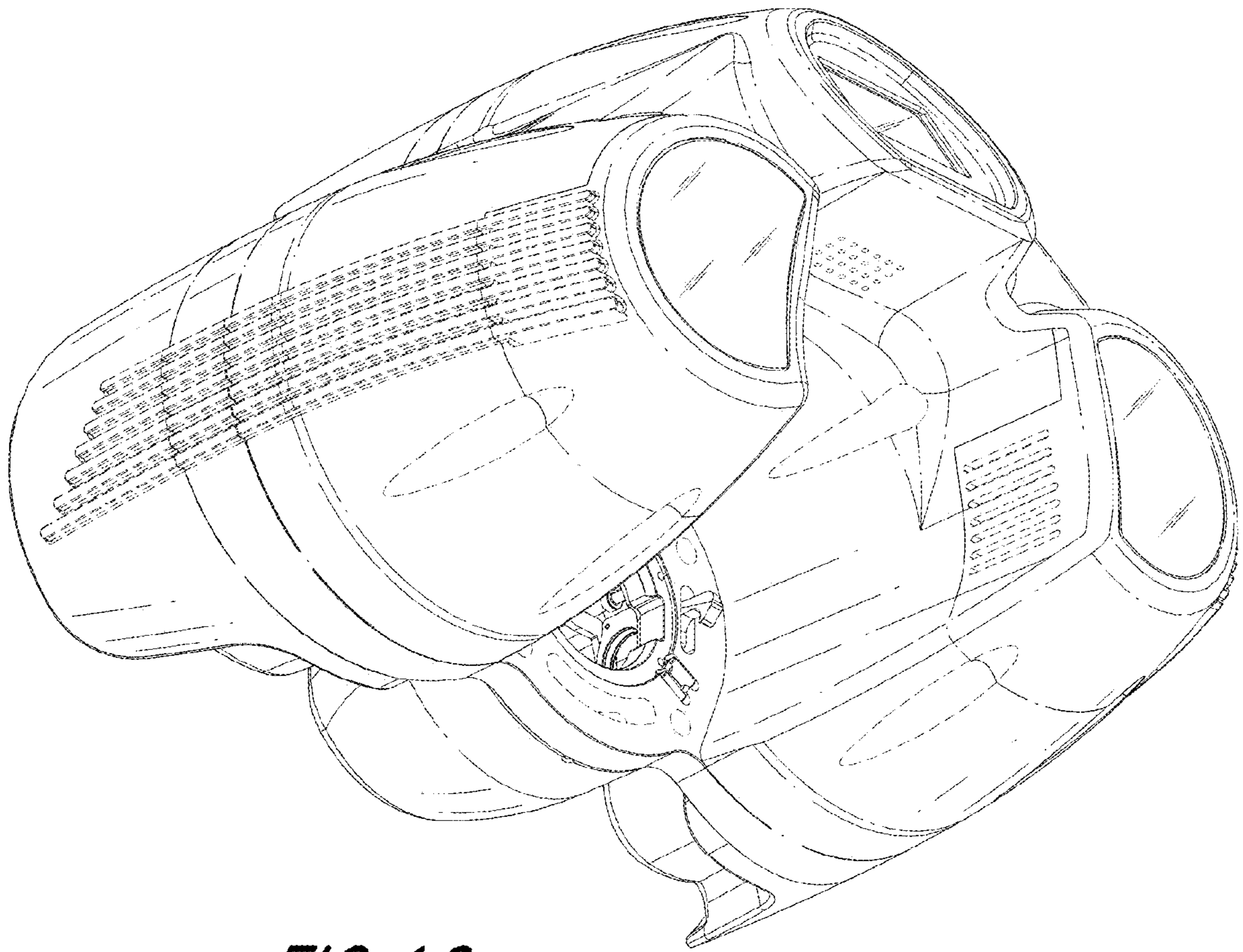


FIG. 16