



US00D875572S

(12) **United States Design Patent**  
**Ferlet**

(10) **Patent No.:** **US D875,572 S**

(45) **Date of Patent:** **\*\* Feb. 18, 2020**

(54) **TEMPERATURE INDICATOR**

(71) Applicant: **Rebecca A. Ferlet**, Corsicana, TX (US)

(72) Inventor: **Rebecca A. Ferlet**, Corsicana, TX (US)

(\*\*) Term: **15 Years**

(21) Appl. No.: **29/664,413**

(22) Filed: **Sep. 25, 2018**

(51) **LOC (12) Cl.** ..... **10-04**

(52) **U.S. Cl.**  
USPC ..... **D10/57**

(58) **Field of Classification Search**

USPC ..... D10/57

CPC ..... G01K 1/02; G01K 1/022; G01K 1/024;

G01K 1/08; G01K 1/20; G01K 3/005;

G01K 3/06; G01K 13/002; G01K 13/04

See application file for complete search history.

(56) **References Cited**

**U.S. PATENT DOCUMENTS**

D157,580	S	*	3/1950	Frampton	.....	D10/54
3,782,195	A		1/1974	Meek et al.		
D312,975	S	*	12/1990	Scheurer	.....	D10/57
5,568,735	A		10/1996	Newkirk et al.		
5,738,442	A		4/1998	Paron et al.		
D398,249	S	*	9/1998	Hsieh	.....	D10/57

6,234,963	B1	12/2001	Cirasole
6,579,006	B1	6/2003	Pariseau
7,022,946	B2	4/2006	Sanoner et al.
7,332,696	B2	2/2008	Hickey
7,798,706	B2	9/2010	LaGuardia et al.
8,118,189	B2	2/2012	LaGuardia et al.
8,596,863	B2	12/2013	Lescanec et al.
9,024,766	B2	5/2015	Hood et al.
9,857,237	B2	1/2018	Astorino

\* cited by examiner

*Primary Examiner* — Antoine Duval Davis

(74) *Attorney, Agent, or Firm* — Cramer Patent & Design, PLLC; Aaron R. Cramer

(57) **CLAIM**

The ornamental design for a temperature indicator, as shown and described.

**DESCRIPTION**

FIG. 1 is a perspective top front right view of a temperature indicator, showing my new design;

FIG. 2 is a perspective top rear left view thereof;

FIG. 3 is a front elevation view thereof;

FIG. 4 is a rear elevation view thereof;

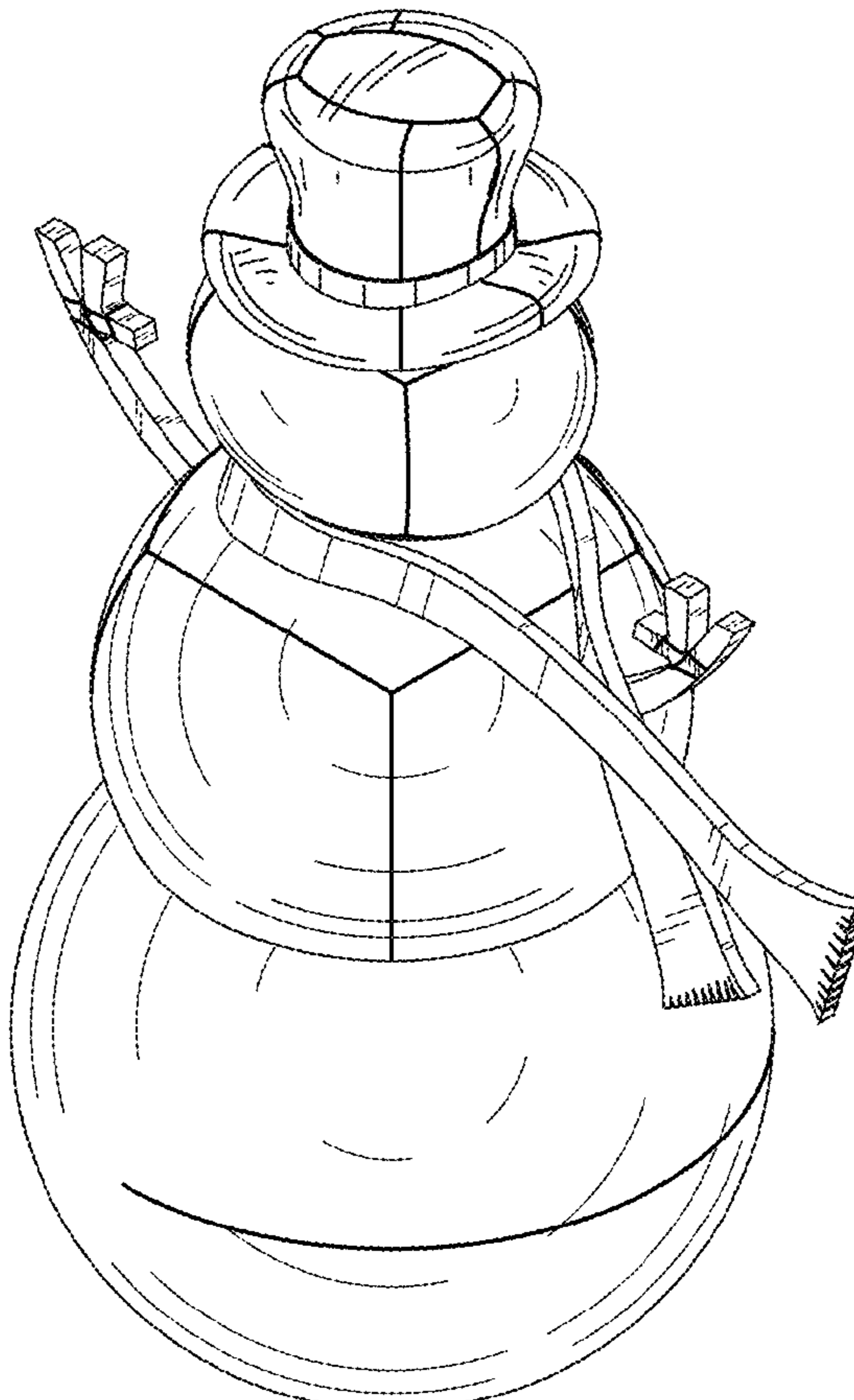
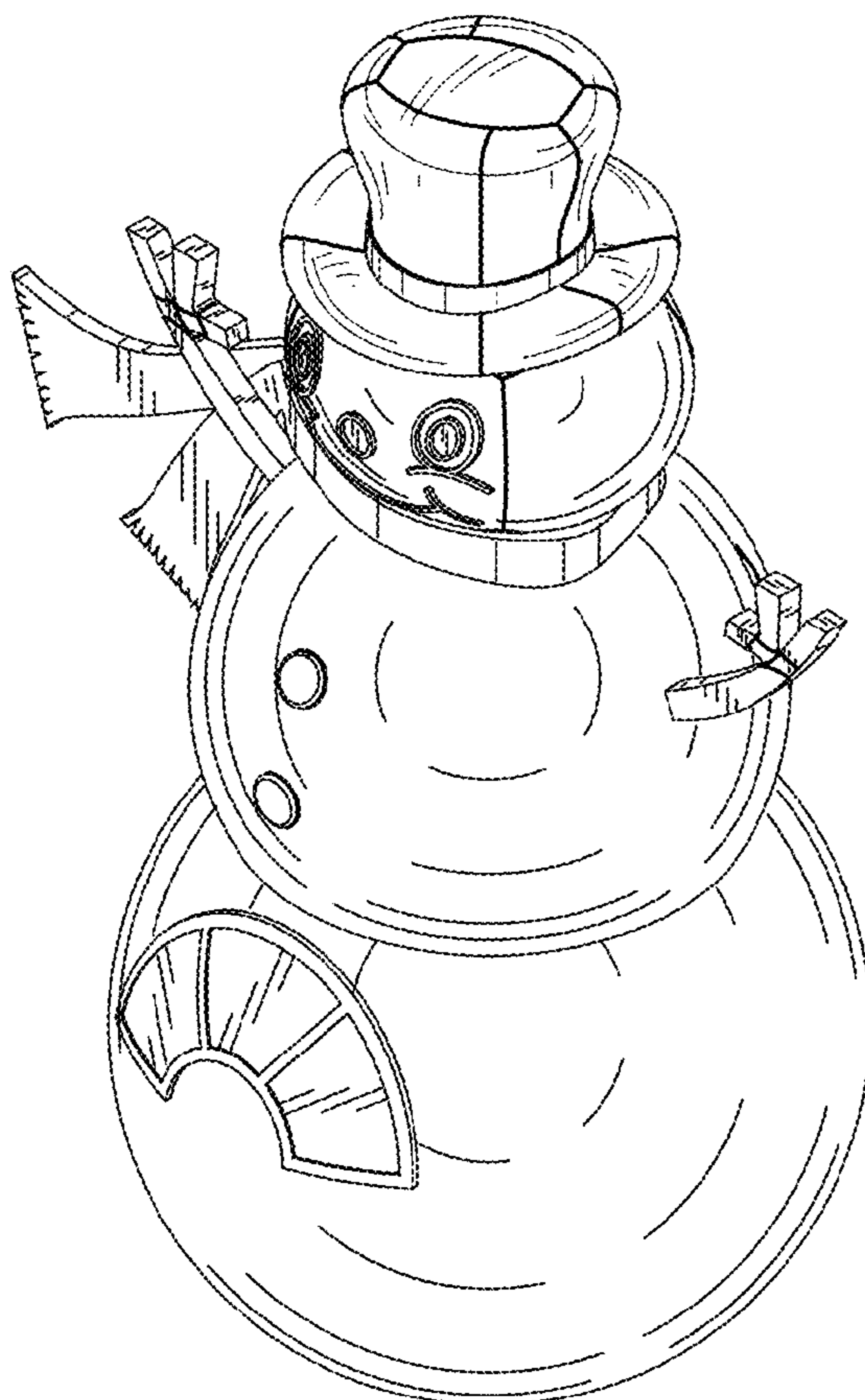
FIG. 5 is a right elevation view thereof;

FIG. 6 is a left elevation view thereof;

FIG. 7 is a top plan view thereof; and,

FIG. 8 is a bottom plan view thereof.

**1 Claim, 8 Drawing Sheets**



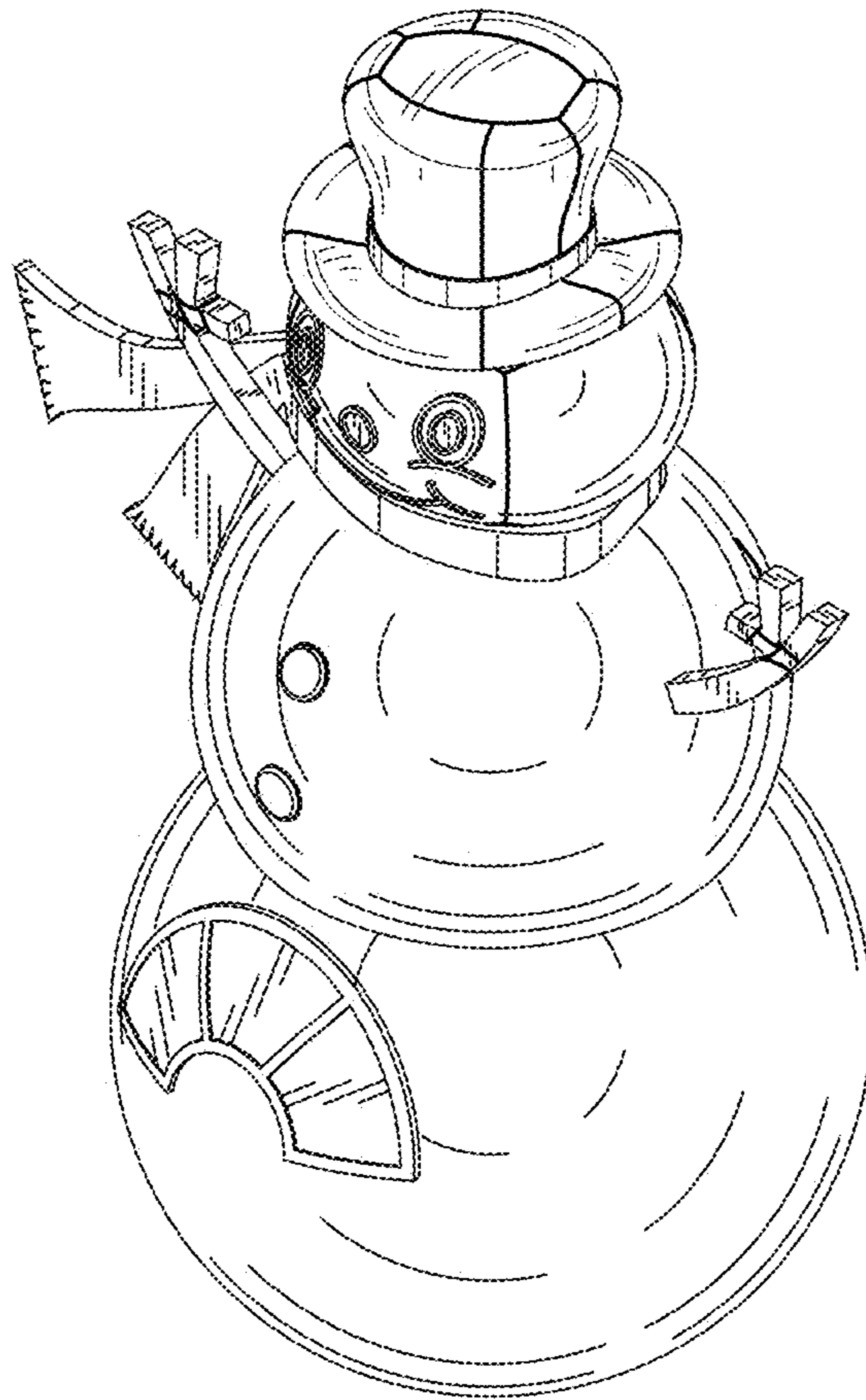


FIG. 1

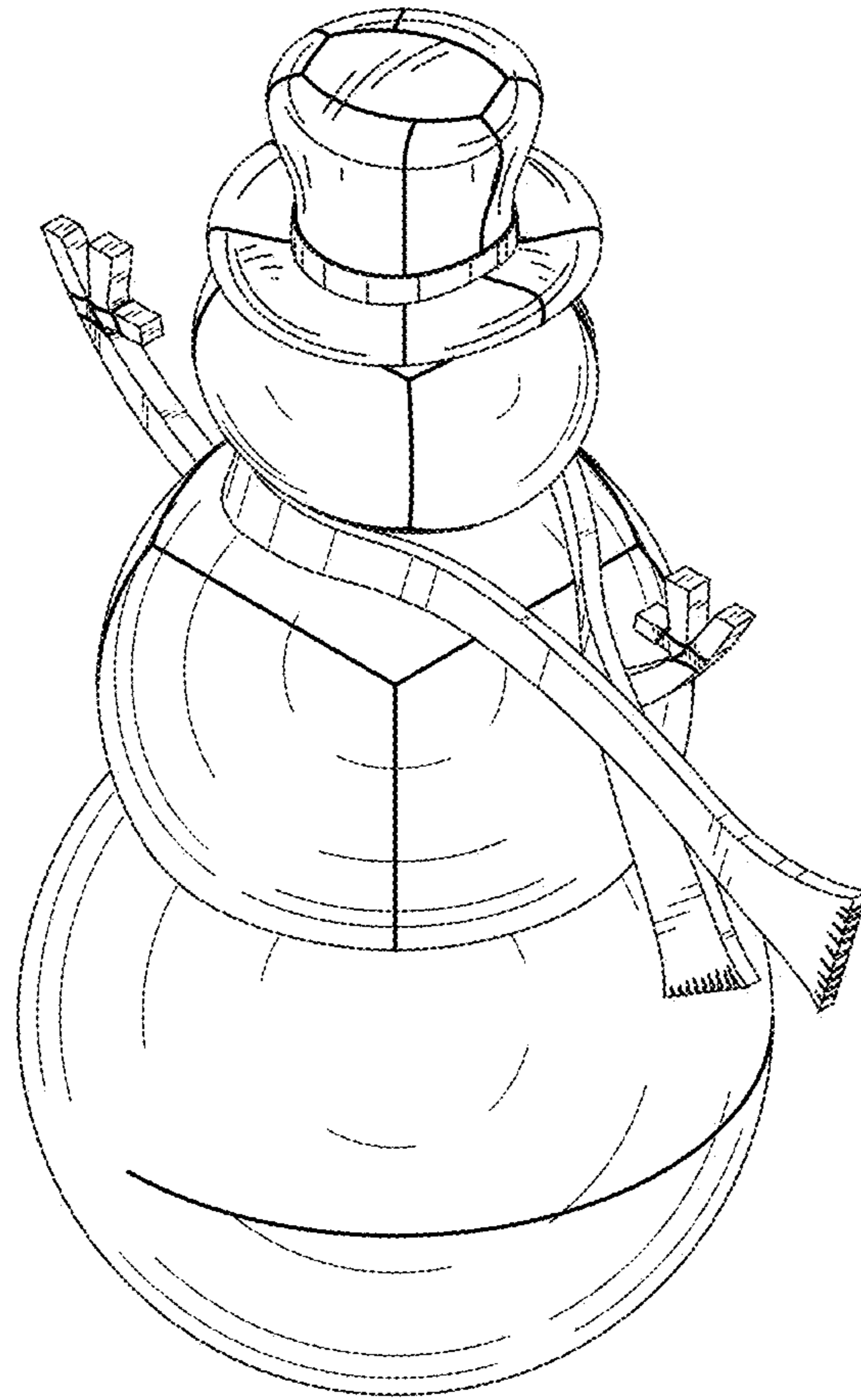


FIG. 2

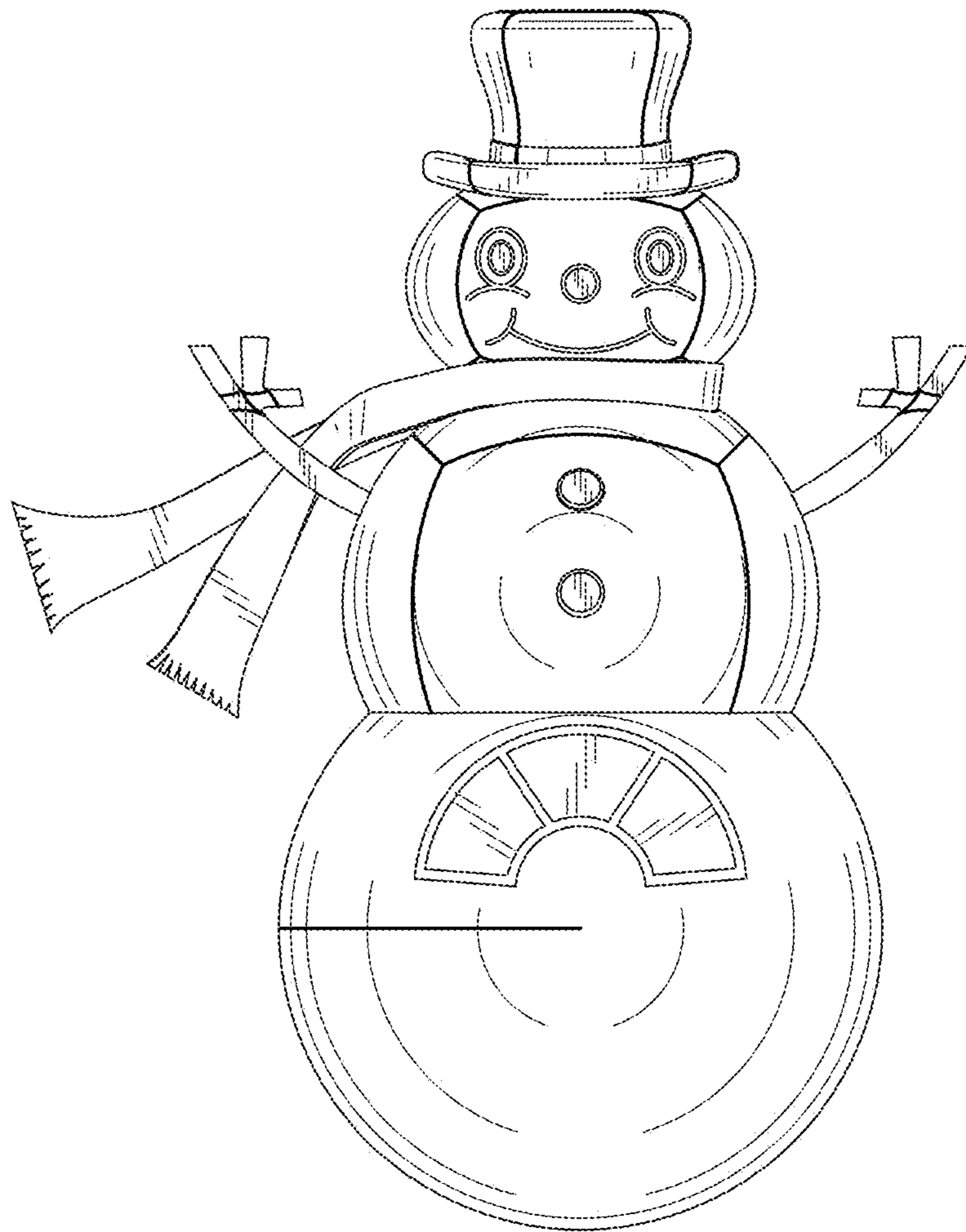


FIG. 3



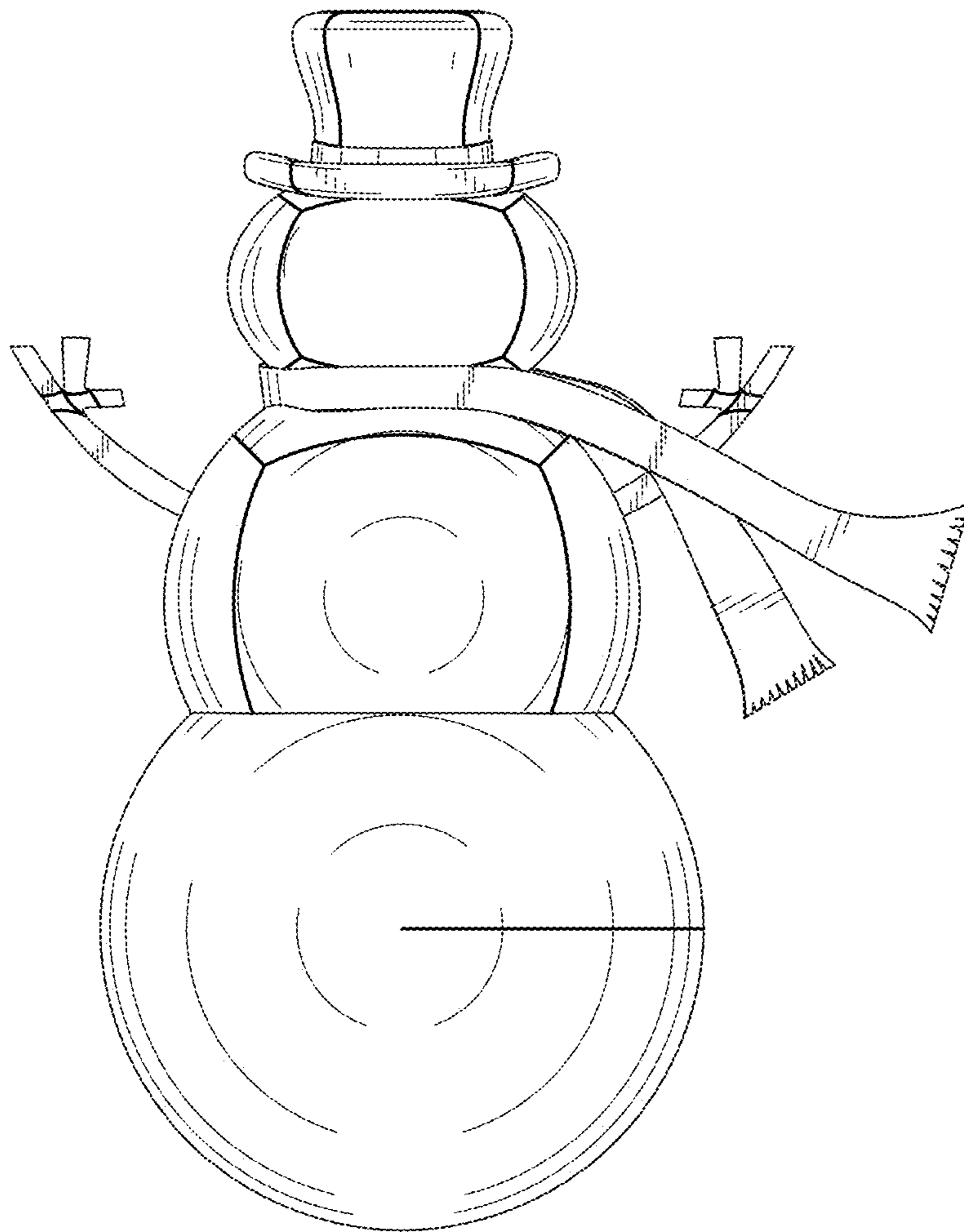


FIG. 4

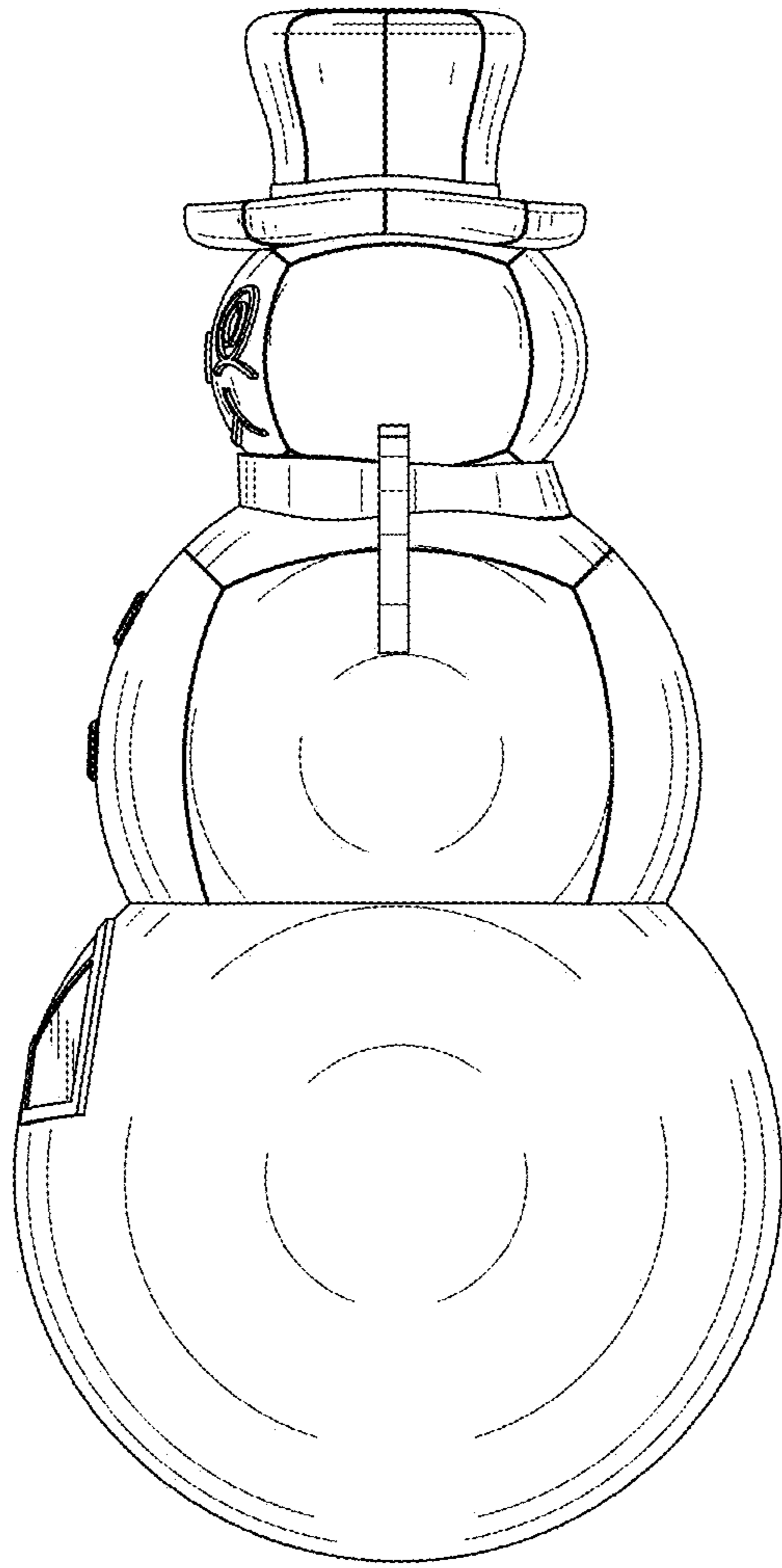


FIG. 5

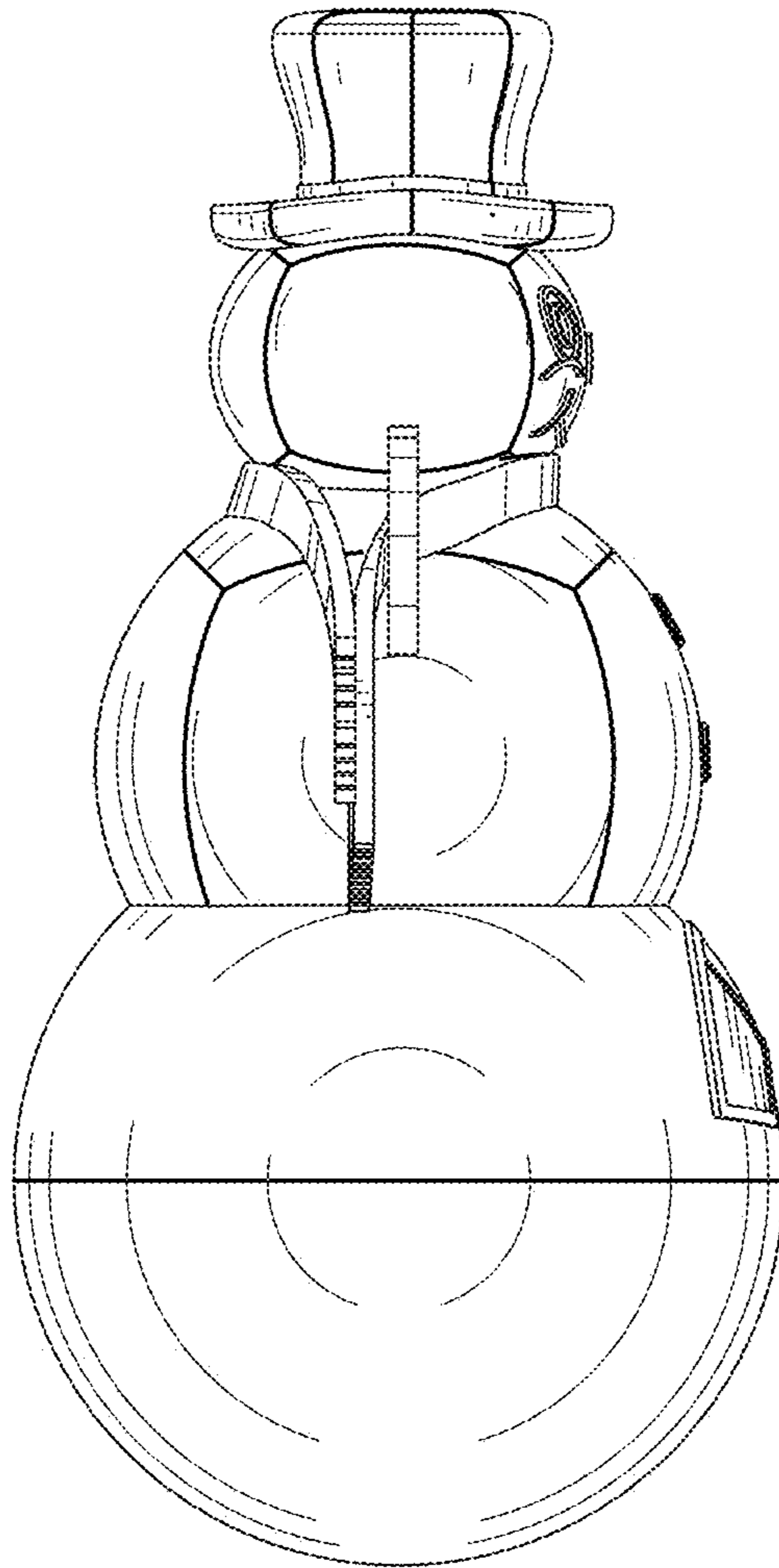


FIG. 6

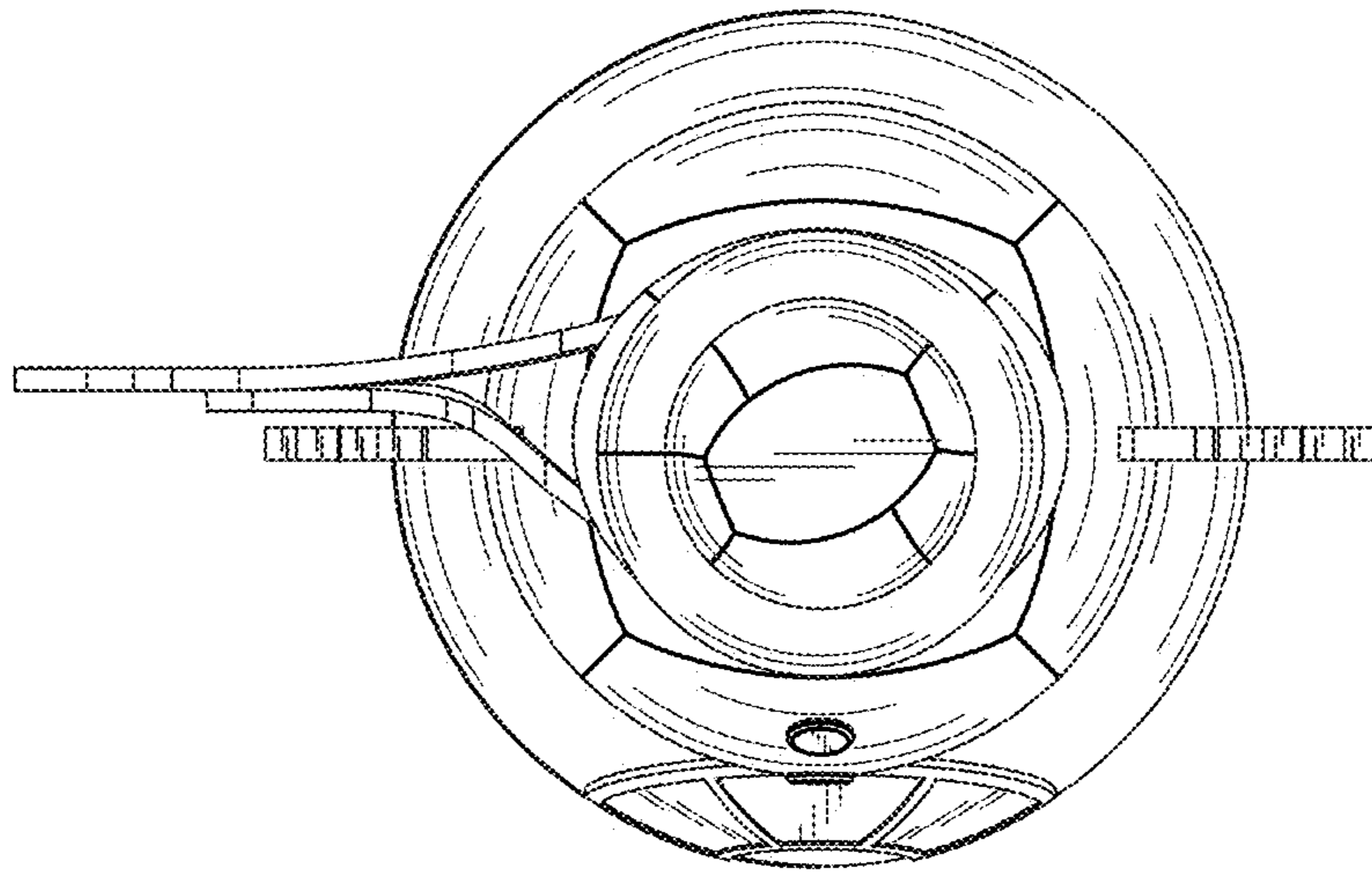


FIG. 7



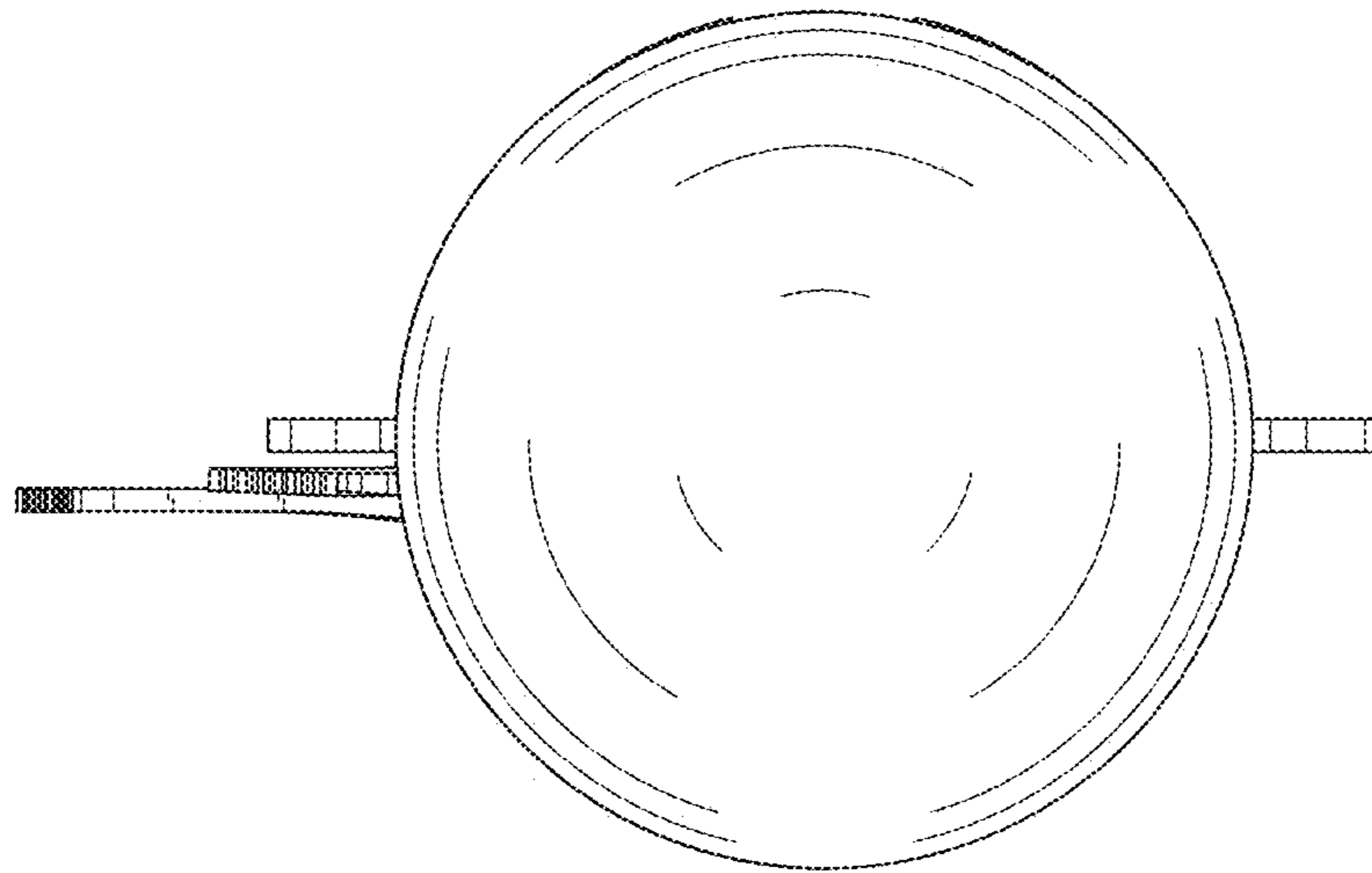


FIG. 8