

US00D875570S

(12) **United States Design Patent** (10) **Patent No.:** **US D875,570 S**
Hernandez (45) **Date of Patent:** **** Feb. 18, 2020**

(54) **MONITORING DEVICE**

2001/2217–2001/2297; G01N 25/56;
G01N 27/122; G01N 33/004–33/0075;
H04B 17/23

(71) Applicant: **3M INNOVATIVE PROPERTIES COMPANY**, St. Paul, MN (US)

See application file for complete search history.

(72) Inventor: **Alonso M. Hernandez**, St. Paul, MN (US)

(56) **References Cited**

(73) Assignee: **3M Innovative Properties Company**, St. Paul, MN (US)

U.S. PATENT DOCUMENTS

D742,583 S * 11/2015 Gettings D10/52
D756,811 S * 5/2016 Xiao D10/52
D839,755 S * 2/2019 Du D10/52

(**) Term: **15 Years**

* cited by examiner

(21) Appl. No.: **29/655,674**

Primary Examiner — Antoine Duval Davis

(22) Filed: **Jul. 5, 2018**

(74) *Attorney, Agent, or Firm* — Kevin Weber

(51) **LOC (12) Cl.** **10-04**

(57) **CLAIM**

(52) **U.S. Cl.**

The ornamental design for a monitoring device, as shown and described.

USPC **D10/52**

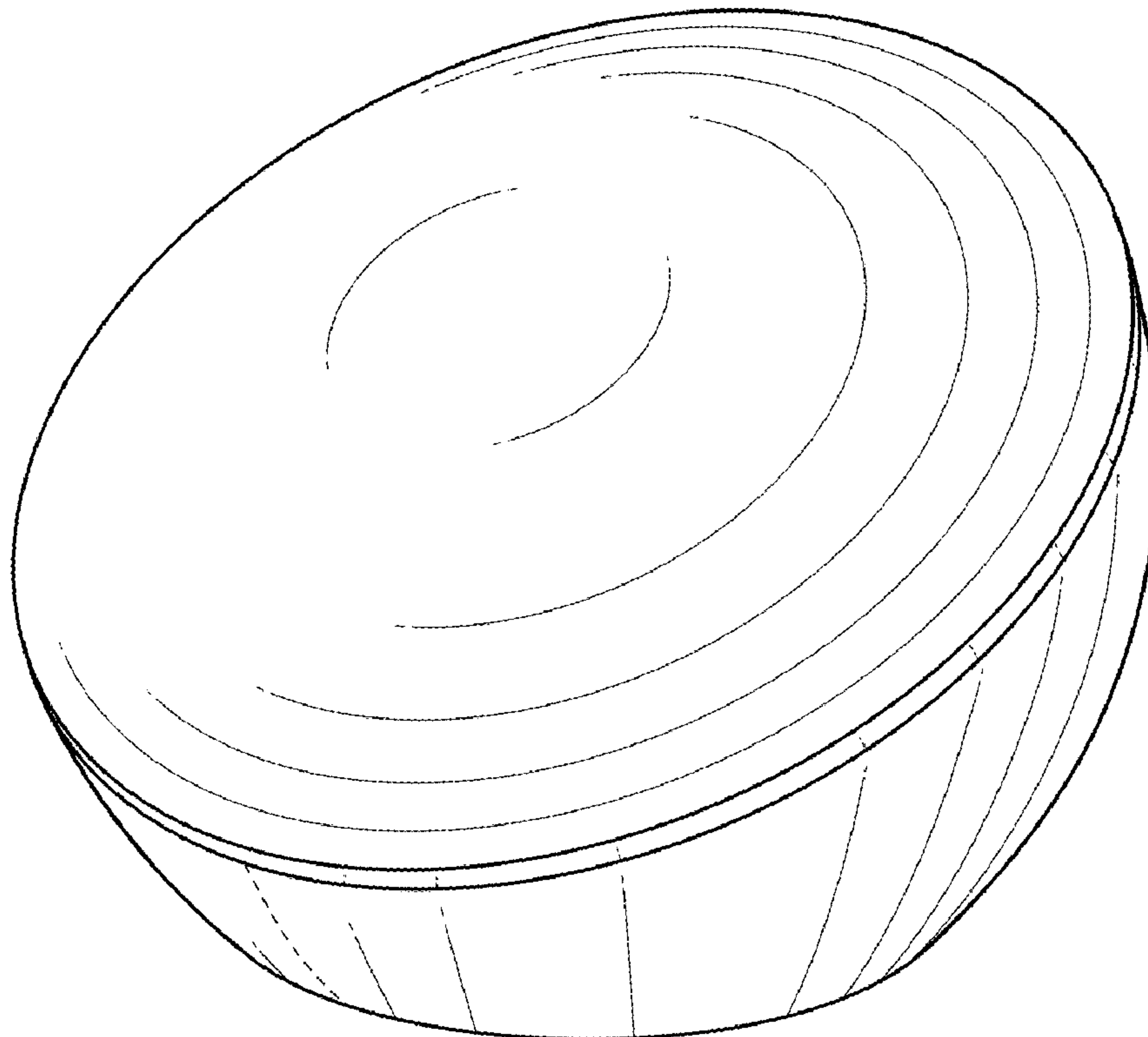
DESCRIPTION

(58) **Field of Classification Search**

USPC D10/75, 78, 52
CPC . G01L 7/02; G01L 7/022; G01L 7/024; G01L 7/026; G01L 7/04; G01L 7/08; G01L 9/00; G01L 9/0001; G01L 9/0026; G01L 9/0033; G01L 9/0041; G01L 9/0042; G01L 9/0044; G01L 2019/0053; G01L 19/14; G01L 19/0092; G01L 19/141; G01L 19/142; G01L 19/143; G01L 19/144; G01L 19/145; G01L 19/146; G01L 19/147; G01L 19/148; G01L 19/149; A61B 90/06; A61B 2090/064; G01N 1/22–1/2294; G01N

FIG. 1 is a perspective view showing the new design for a monitoring device;
FIG. 2 is a front view thereof;
FIG. 3 is a rear view thereof;
FIG. 4 is a left side view thereof;
FIG. 5 is a right side view thereof;
FIG. 6 is a top view thereof; and,
FIG. 7 is a bottom view thereof.
The portions of the monitoring device in FIGS. 1, 2, and 7 shown in broken lines are included to show features that form no part of the claimed design.

1 Claim, 4 Drawing Sheets



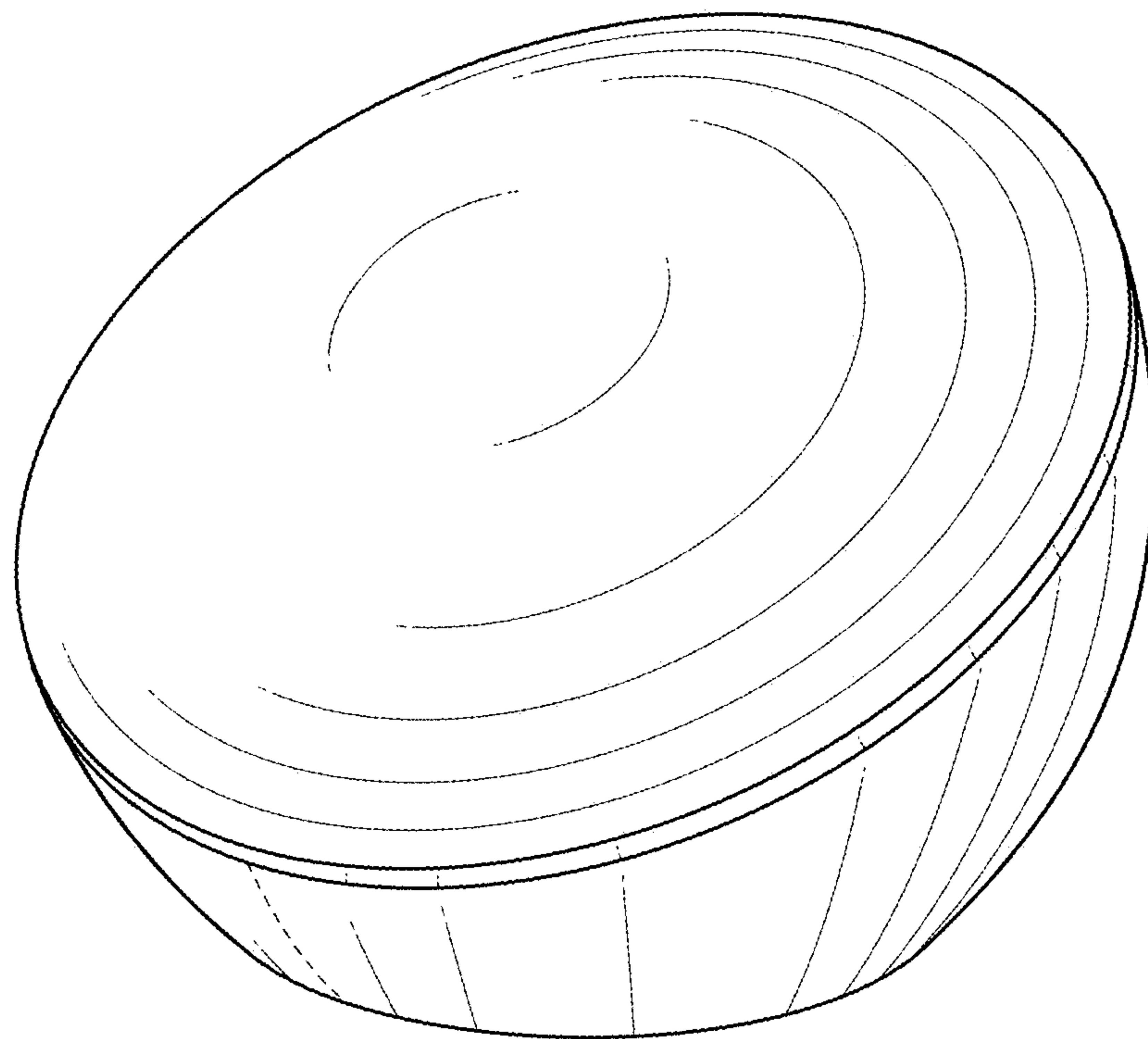


FIG. 1

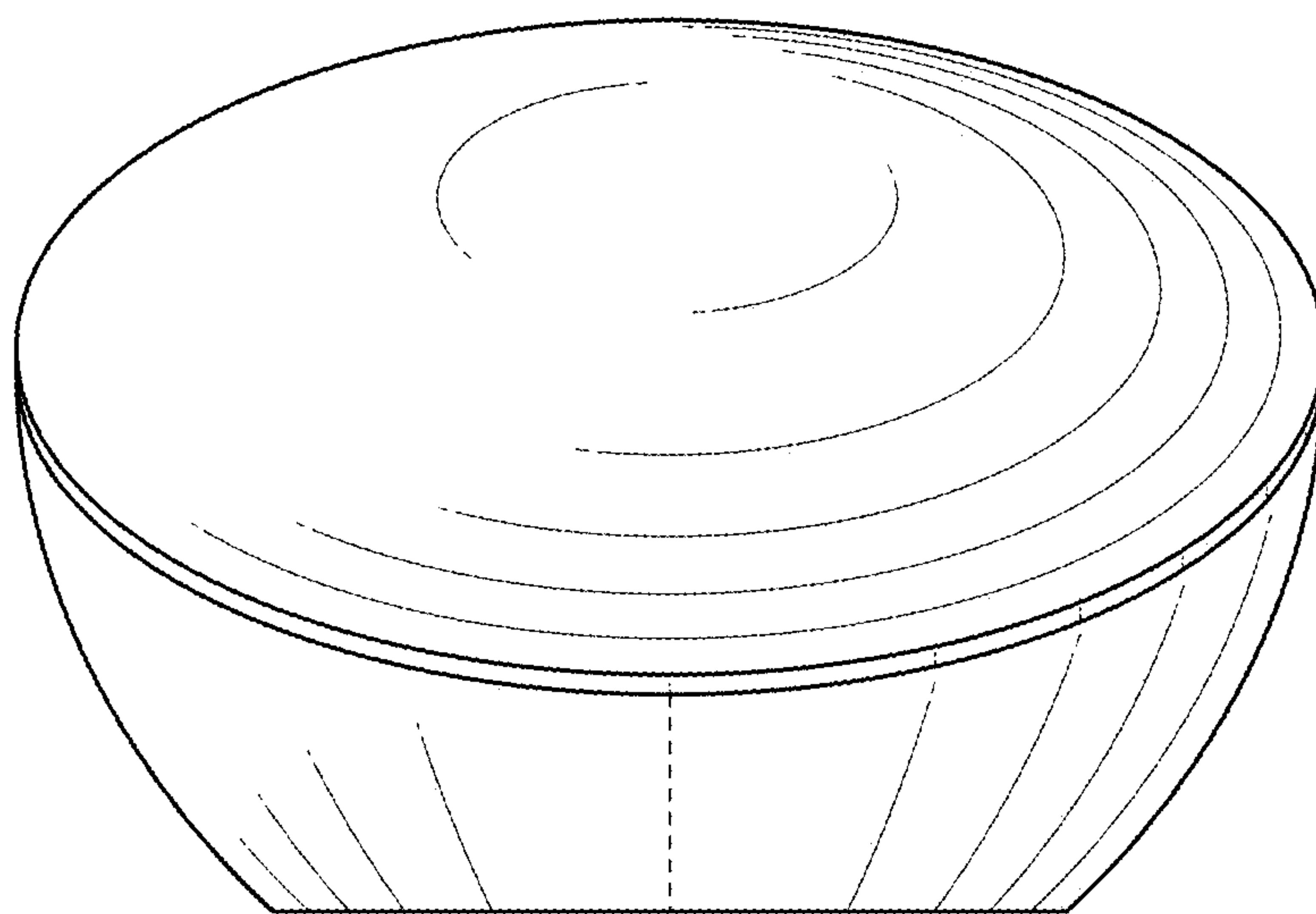


FIG. 2

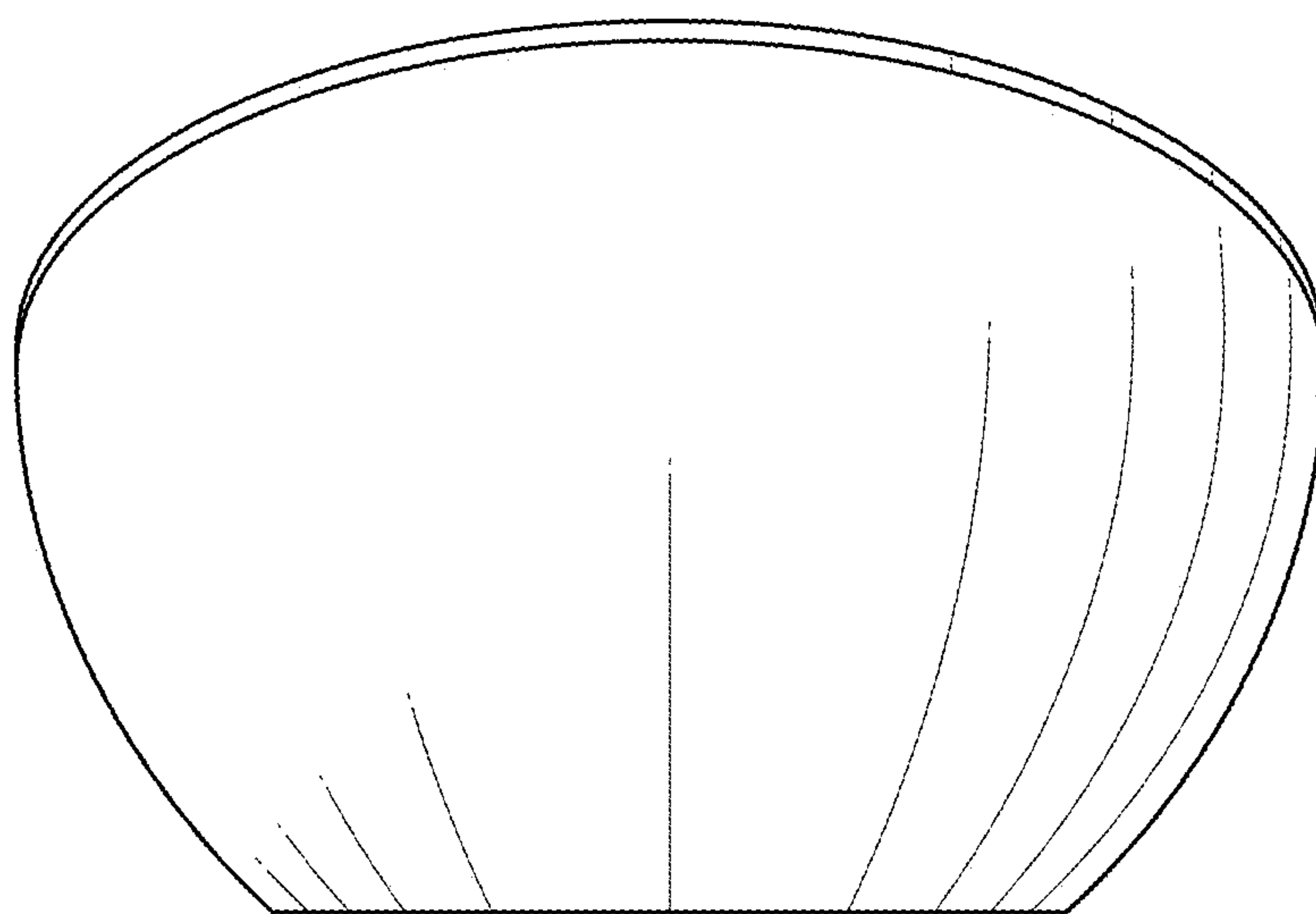


FIG. 3

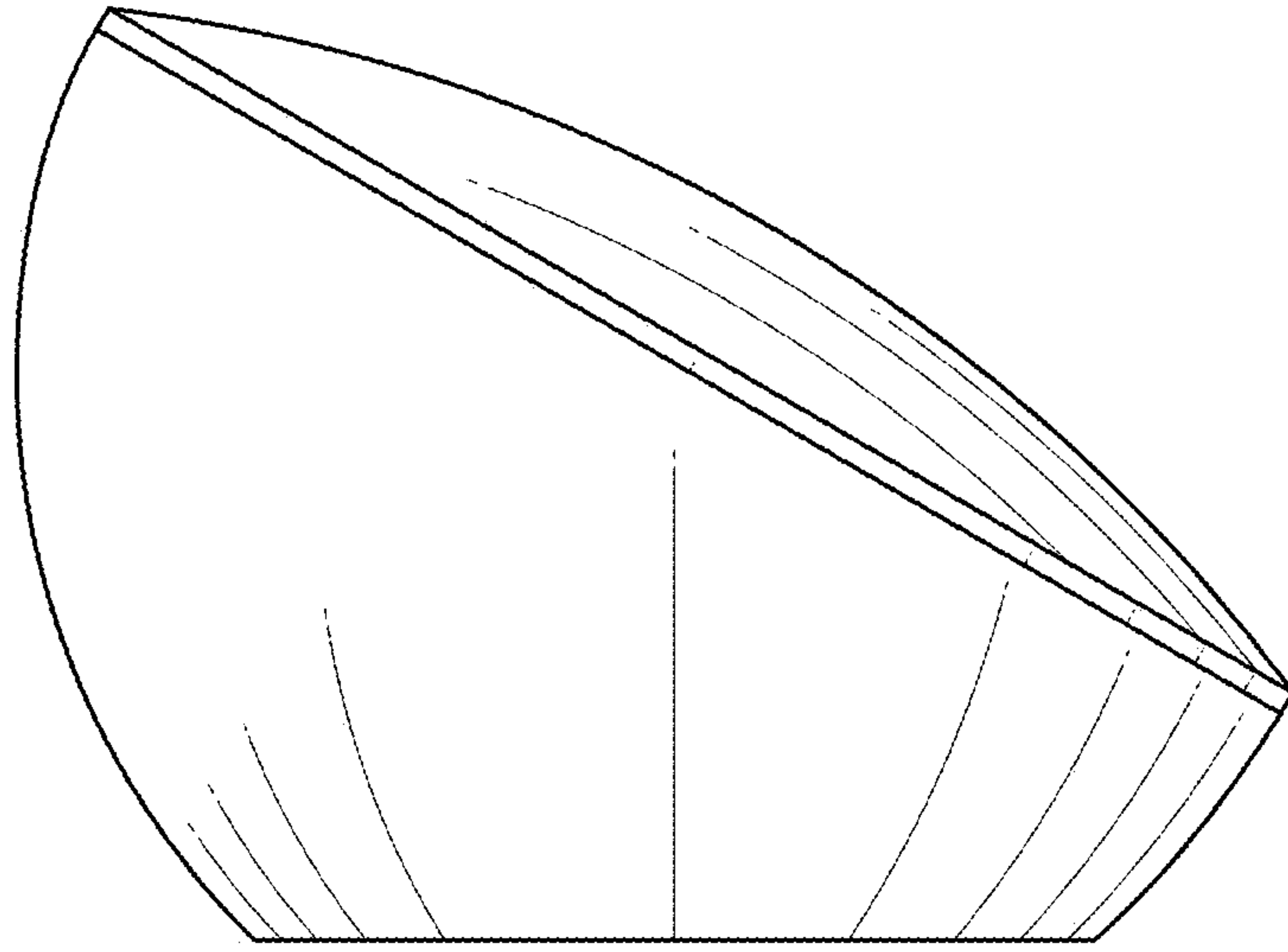


FIG. 4

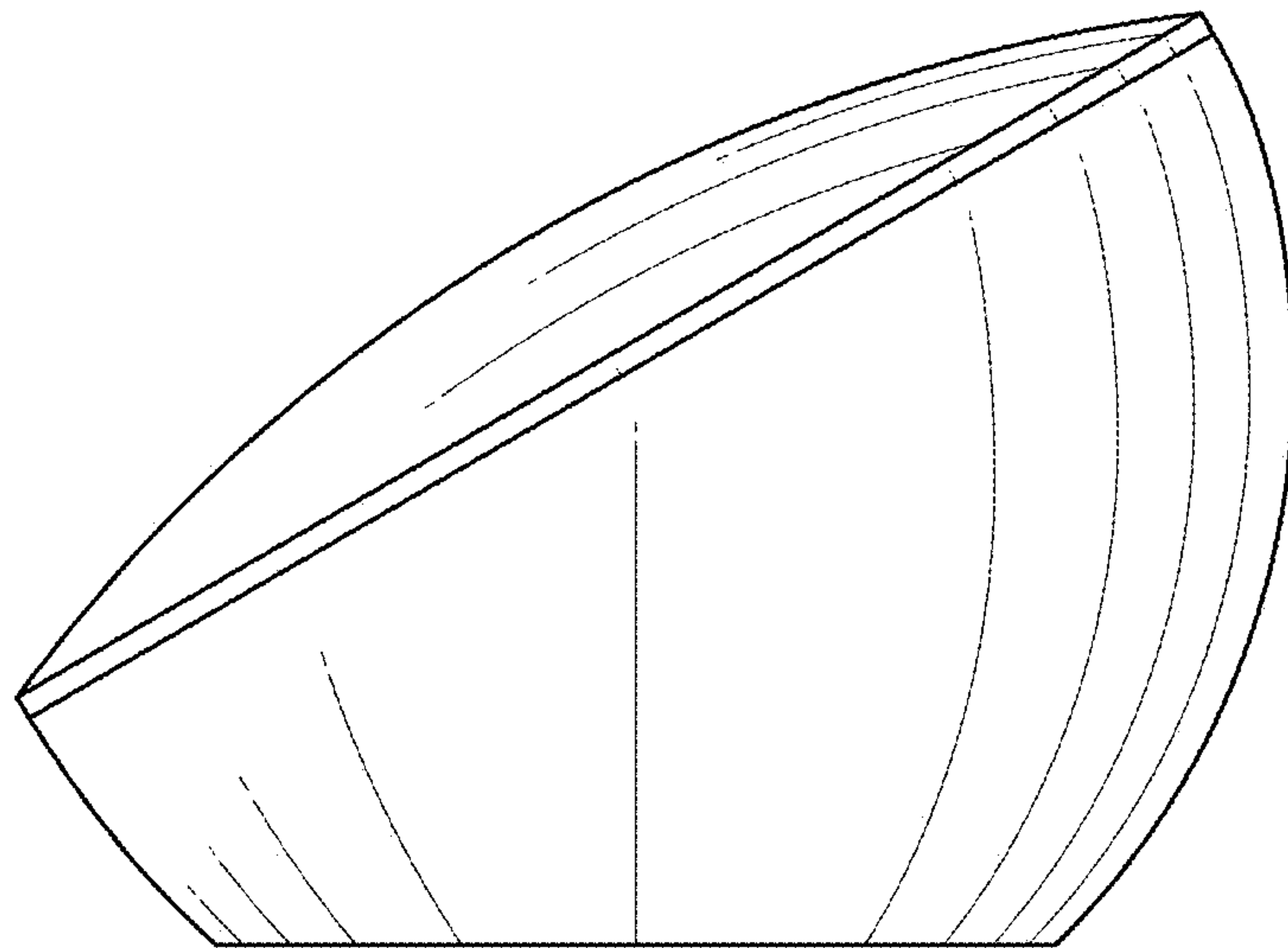


FIG. 5

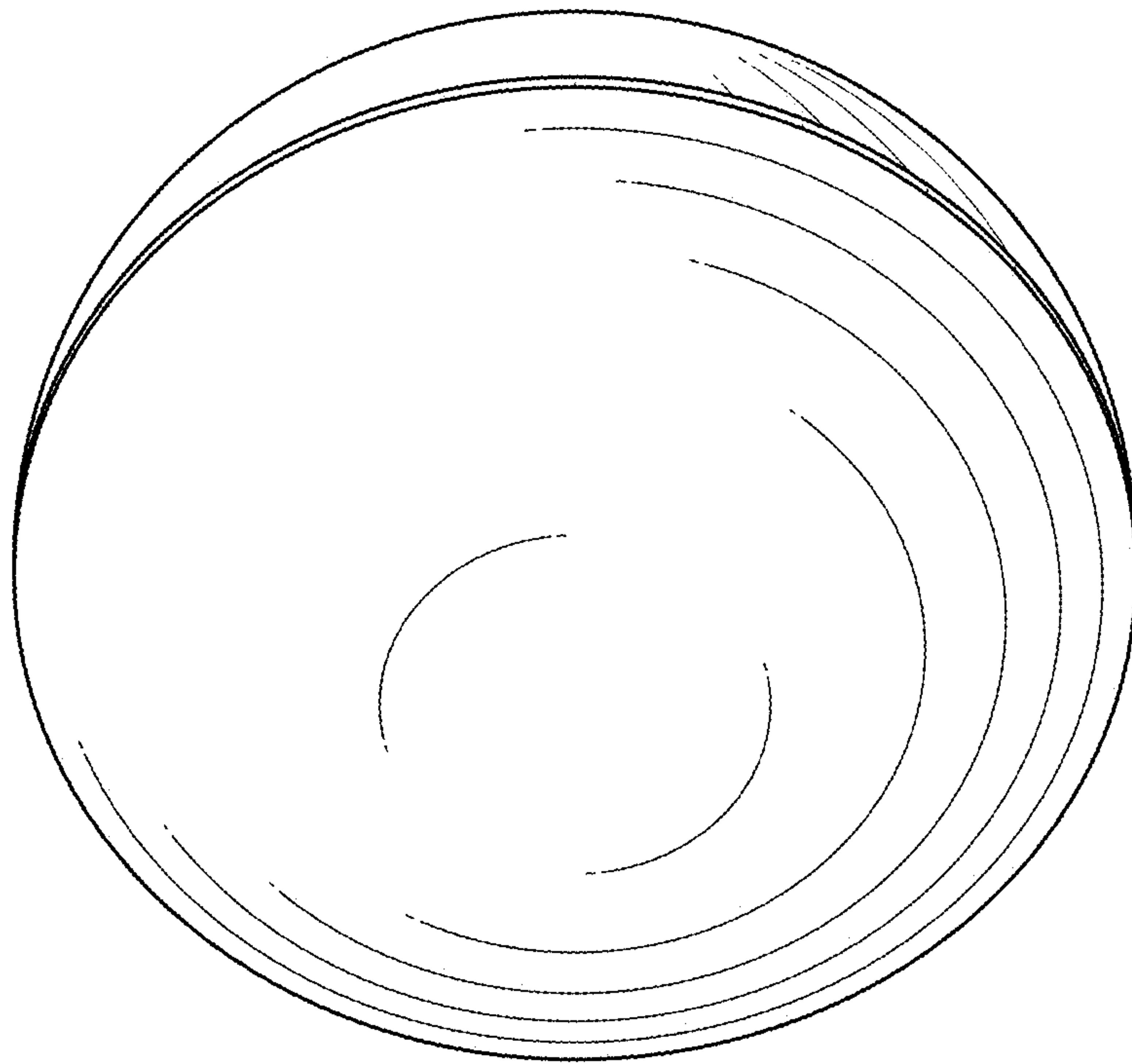


FIG. 6

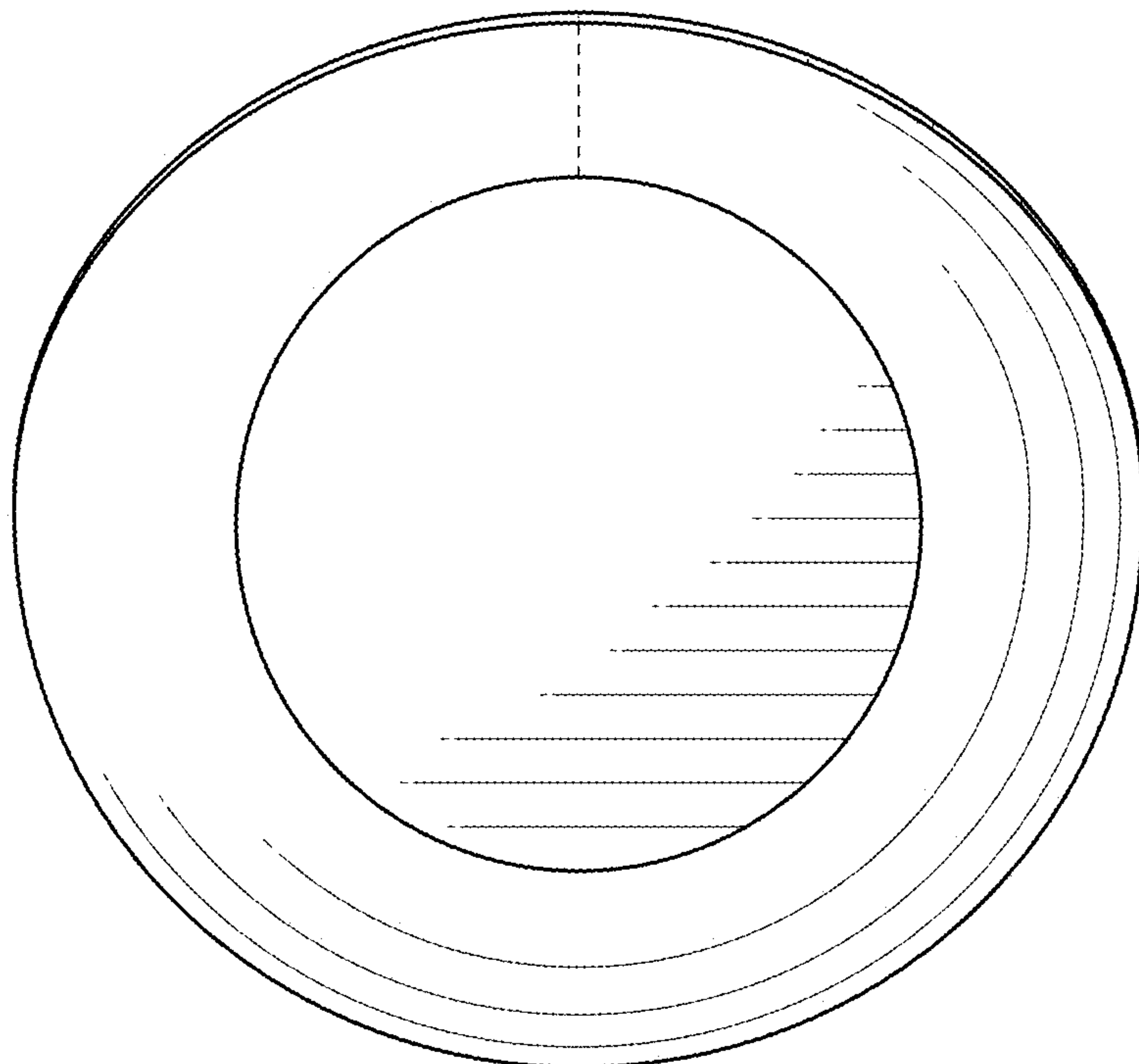


FIG. 7