



US00D875568S

(12) **United States Design Patent** (10) **Patent No.:** **US D875,568 S**
Read et al. (45) **Date of Patent:** **** Feb. 18, 2020**

(54) **ROOM SENSOR HOUSING**

(71) Applicant: **Honeywell International Inc.**, Morris Plains, NJ (US)

(72) Inventors: **Travis Read**, Little Canada, MN (US); **Rajat Shail**, Chicago, IL (US); **Eric Barton**, Eden Prairie, MN (US); **Karla Morales**, Chihuahua (MX)

(73) Assignee: **Ademco Inc.**, Golden Valley, MN (US)

(**) Term: **15 Years**

(21) Appl. No.: **29/666,124**

(22) Filed: **Oct. 10, 2018**

(51) **LOC (12) Cl.** **10-04**

(52) **U.S. Cl.**
USPC **D10/50; D10/60; D13/162; D13/177; D13/184**

(58) **Field of Classification Search**

USPC **D10/49, 50, 60; D13/162, 162.1, 177, D13/184**

CPC . **F23N 5/20; F23N 5/203; F23N 5/206; F23N 5/18; F23N 5/184; F23N 5/187; F23N 5/22; F23N 2025/12; F23N 2041/02; F24F 11/00; F24F 11/0012; F24F 11/0009; F24F 11/001; F24F 2011/0057; F24F 2011/0073; F24F 2011/0091; F24F 2011/0094; F24F 2011/0068; F24F 2011/0012; F24F 2011/0015; F24F 2011/0017; F21V 11/16; F21V 33/10; G05B 19/042; G05D 23/01; G05D 23/12; G05D 23/275; G05D 23/1902; G05D 23/1904; G05D 23/27502; G05D 23/27503; G05D 23/1919; G05D 23/19; G05D 23/2723; G05D 23/00; G09F 13/22; G09F 9/53; G06F 1/1684; G06F**

1/30; G06F 3/0362; G06F 3/038; H05B 33/0854; H05B 37/0218; H05K 5/0017; H05K 5/0243; H05K 5/00; H05K 5/03; H04M 2250/12; H04M 2250/22

See application file for complete search history.

(56) **References Cited**

U.S. PATENT DOCUMENTS

7,438,469	B1	10/2008	Moore	
D737,697	S *	9/2015	Bhattacharya	D10/50
D797,580	S *	9/2017	Read	D10/49
D803,705	S *	11/2017	Read	D10/50
9,905,122	B2	2/2018	Sloo et al.	
2016/0040903	A1	2/2016	Emmons et al.	

* cited by examiner

Primary Examiner — Antoine Duval Davis

(74) *Attorney, Agent, or Firm* — Shumaker & Sieffert, P.A.

(57) **CLAIM**

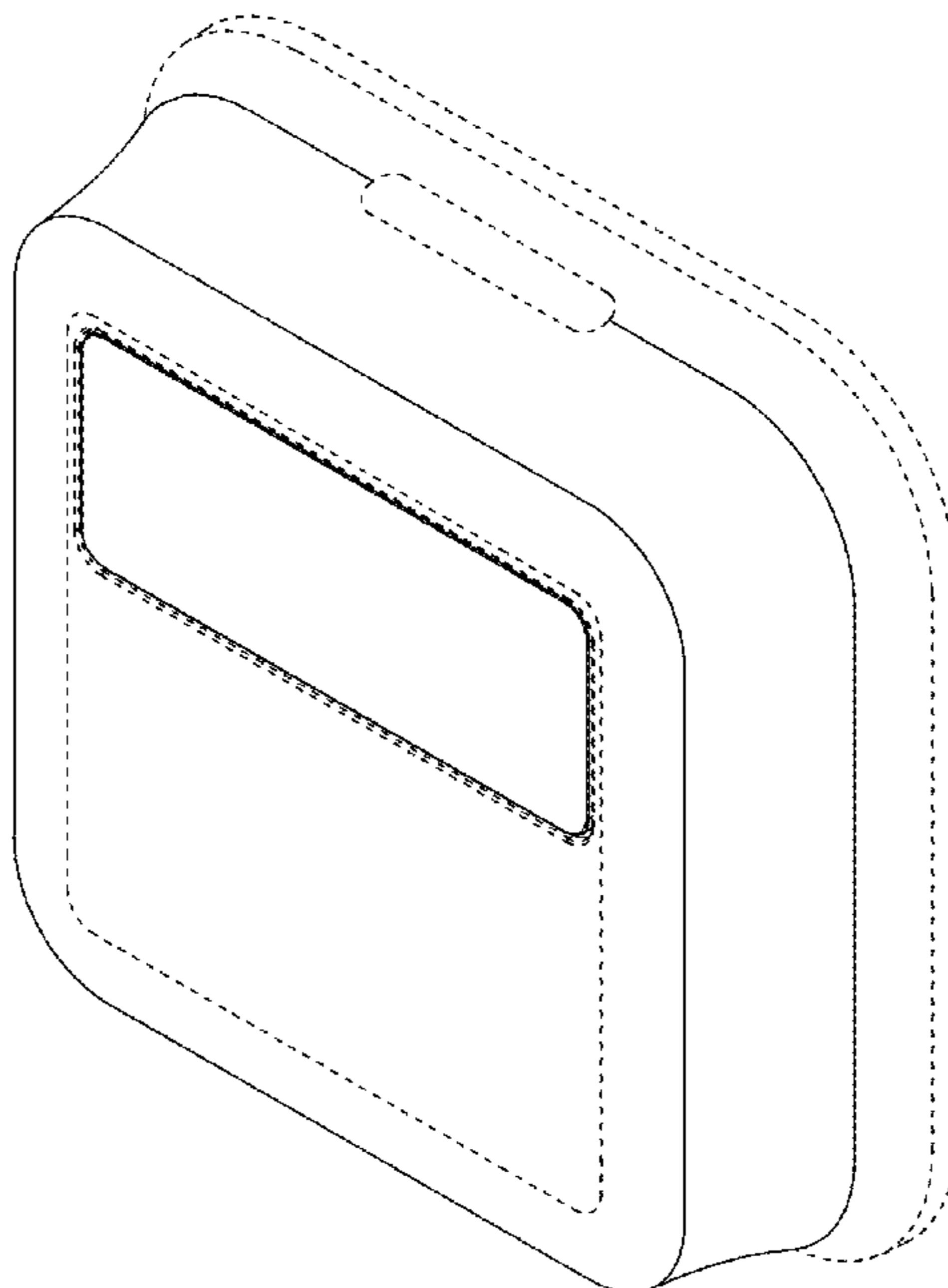
The ornamental design for a room sensor housing, as shown and described.

DESCRIPTION

FIG. 1 is a perspective view of a room sensor housing; FIG. 2 is a front elevation view of the room sensor housing of FIG. 1; and, FIGS. 3-6 are left, right, top and bottom views, respectively, of the room sensor housing of FIG. 1.

The portions illustrated in broken lines on the figures depict unclaimed environmental subject matter and form no part of the claimed design.

1 Claim, 6 Drawing Sheets



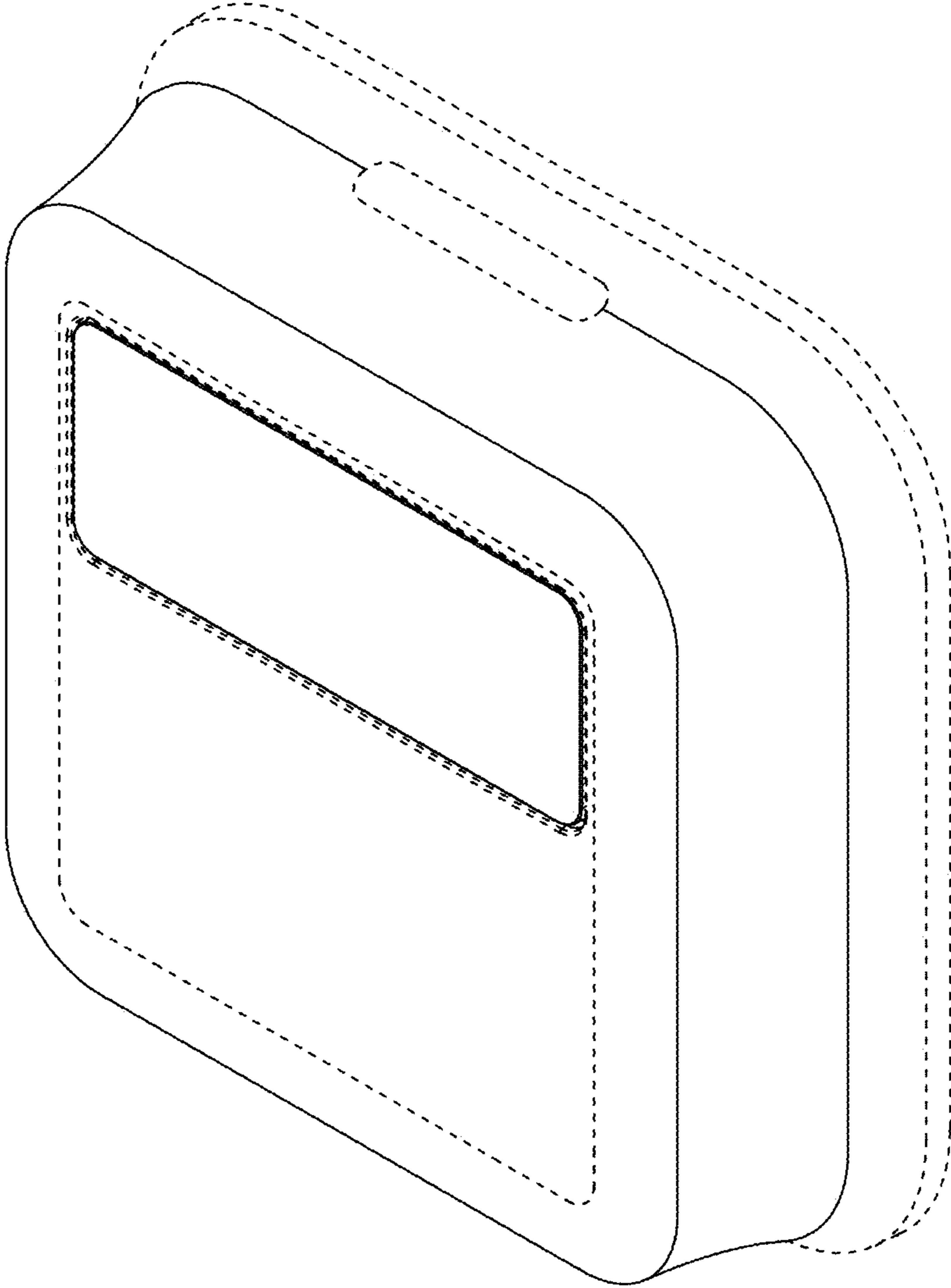


Figure 1

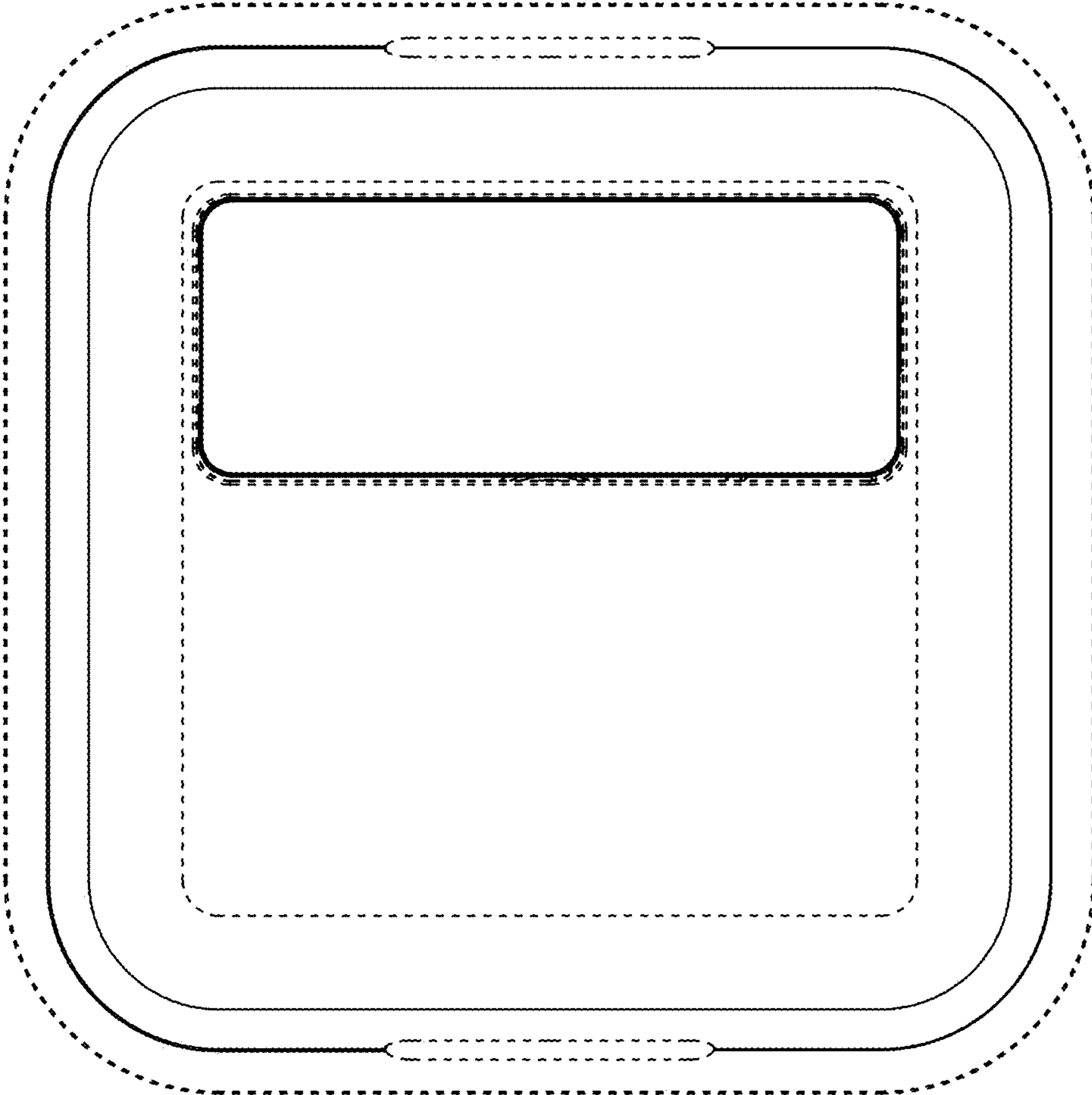


Figure 2

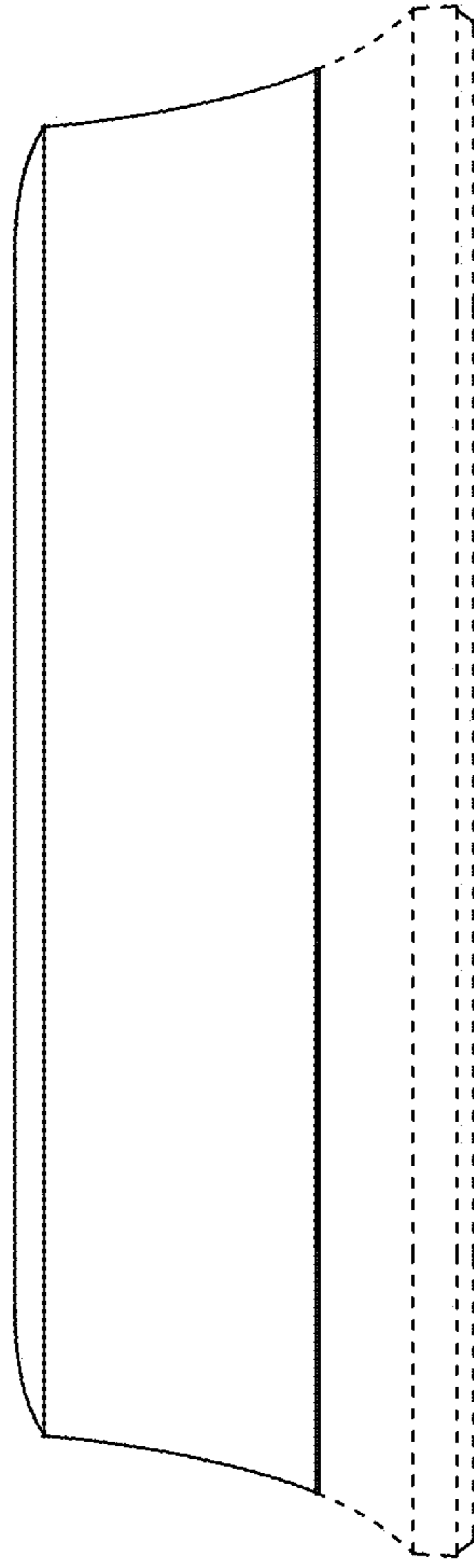


Figure 3

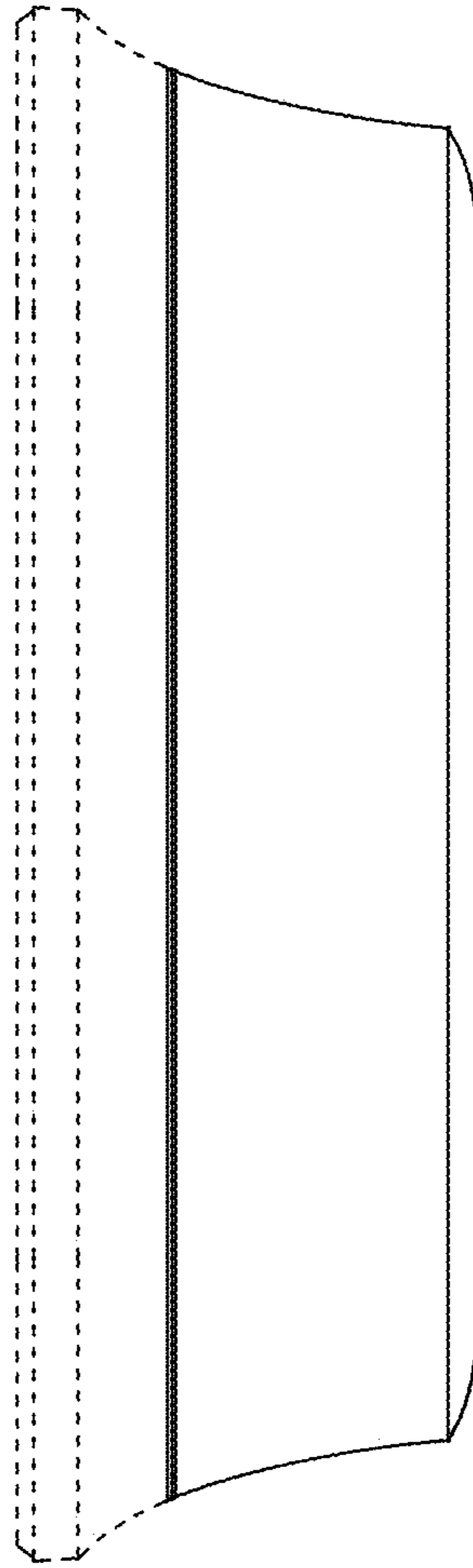


Figure 4

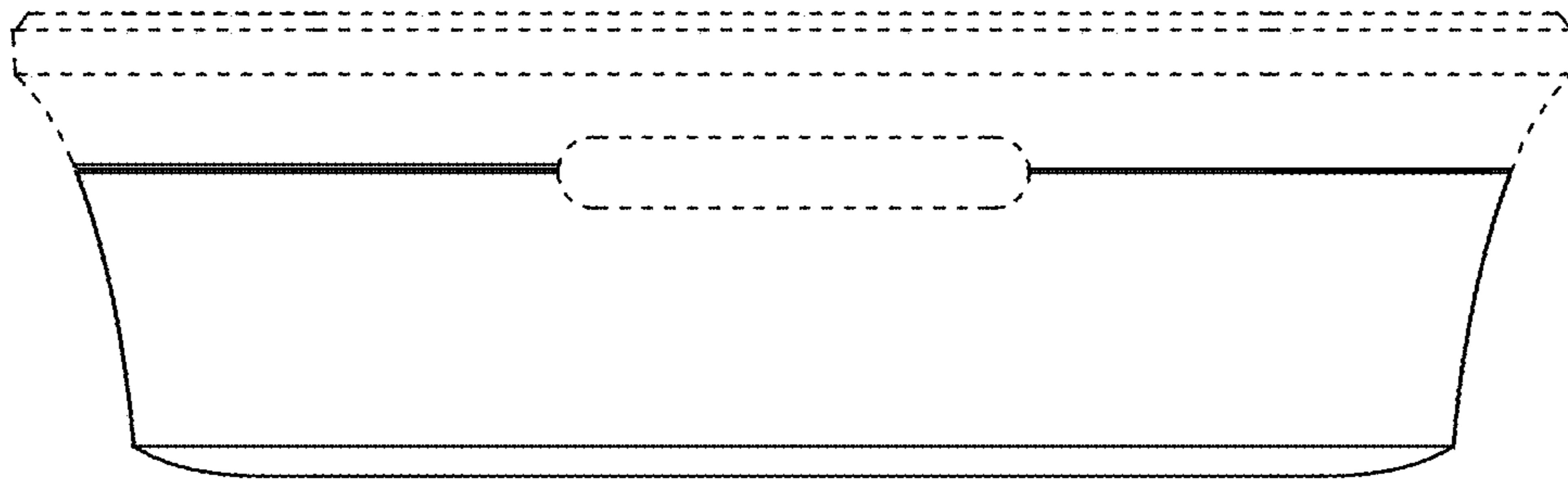


Figure 5

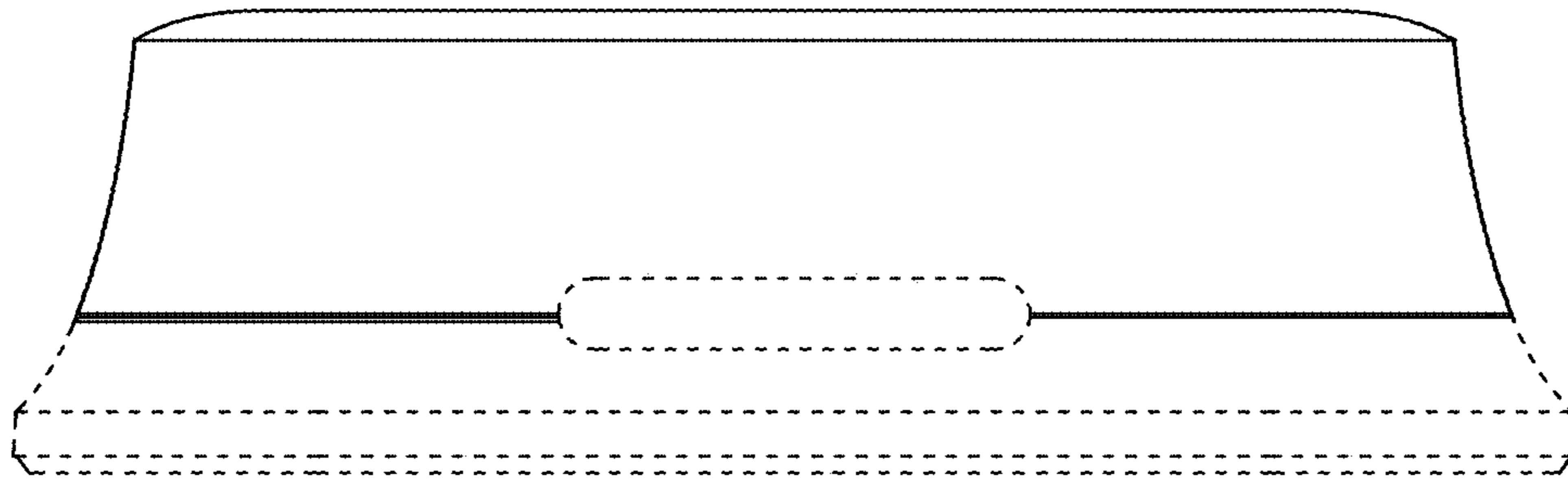


Figure 6