



US00D875557S

(12) **United States Design Patent**  
**Davoli**

(10) **Patent No.:** **US D875,557 S**

(45) **Date of Patent:** **\*\* Feb. 18, 2020**

(54) **WATCH**

(71) Applicant: **Richemont International SA,**  
Villars-sur-Glane (CH)

(72) Inventor: **Laurent Davoli,** Geneva (CH)

(73) Assignee: **Richemont International SA,**  
Villars-sur-Glane (CH)

(\*\*) Term: **15 Years**

(21) Appl. No.: **29/643,981**

(22) Filed: **Apr. 13, 2018**

(30) **Foreign Application Priority Data**

Oct. 17, 2017 (WO) ..... DM/098148

(51) **LOC (12) Cl.** ..... **10-02**

(52) **U.S. Cl.**  
USPC ..... **D10/39**

(58) **Field of Classification Search**

USPC ..... D10/1-2, 6, 10, 30-39, 40-41, 102-103,  
D10/122-129, 132; D11/3; D14/344,  
D14/440

CPC ..... G04B 37/00; G04B 37/005; G04B 37/22;  
G04B 17/00; G04B 19/223; G04B 19/24;  
G04B 45/00; G04B 45/0061; G04B  
45/0069; G04B 45/0076; G04B 45/0084;  
A45C 11/10; A45C 11/12; A45C 13/008

See application file for complete search history.

(56) **References Cited**

**U.S. PATENT DOCUMENTS**

3,570,239 A \* 3/1971 Charles ..... G04B 47/06  
250/484.3  
D373,957 S \* 9/1996 Mareschal ..... D10/30  
D434,680 S \* 12/2000 Fallani ..... D10/30  
D505,342 S \* 5/2005 Hayek ..... D10/39  
D528,452 S \* 9/2006 Coudray ..... D10/126

D568,180 S \* 5/2008 Laucella ..... D10/39  
D615,883 S \* 5/2010 Laucella ..... D10/39  
D641,264 S \* 7/2011 Garcia ..... D10/39  
D669,372 S \* 10/2012 Laucella ..... D10/39  
D677,176 S \* 3/2013 Ruffieux ..... D10/39  
D706,649 S \* 6/2014 Salemi ..... D10/39  
D717,670 S \* 11/2014 Davoli ..... D10/39  
D728,387 S \* 5/2015 Stegmann ..... D10/39  
9,354,608 B2 \* 5/2016 Donze ..... G04B 17/285  
D766,744 S \* 9/2016 Laucella ..... D10/30  
D767,417 S \* 9/2016 Laucella ..... D10/39

(Continued)

**OTHER PUBLICATIONS**

Piaget Altiplano Ultimate 910P | posted at ablogtowatch.com Dec. 2017 [online]. © 2007-2019 aBlogtoWatch [retrieved Mar. 15, 2019] from Internet: <<https://www.ablogtowatch.com/piaget-altiplano-ultimate-910p-thinnest-automatic-watch/>> (Year: 2018).\*

*Primary Examiner* — Sandra S Snapp

*Assistant Examiner* — Katherine Glennon

(74) *Attorney, Agent, or Firm* — Taft Stettinius & Hollister LLP

(57)

**CLAIM**

The ornamental design for a watch, as shown and described.

**DESCRIPTION**

FIG. 1 is a front elevational view of a watch showing my new design;

FIG. 2 is a back elevational view thereof;

FIG. 3 is a right side elevational view thereof;

FIG. 4 is a left side elevational view thereof;

FIG. 5 is a bottom plan view thereof;

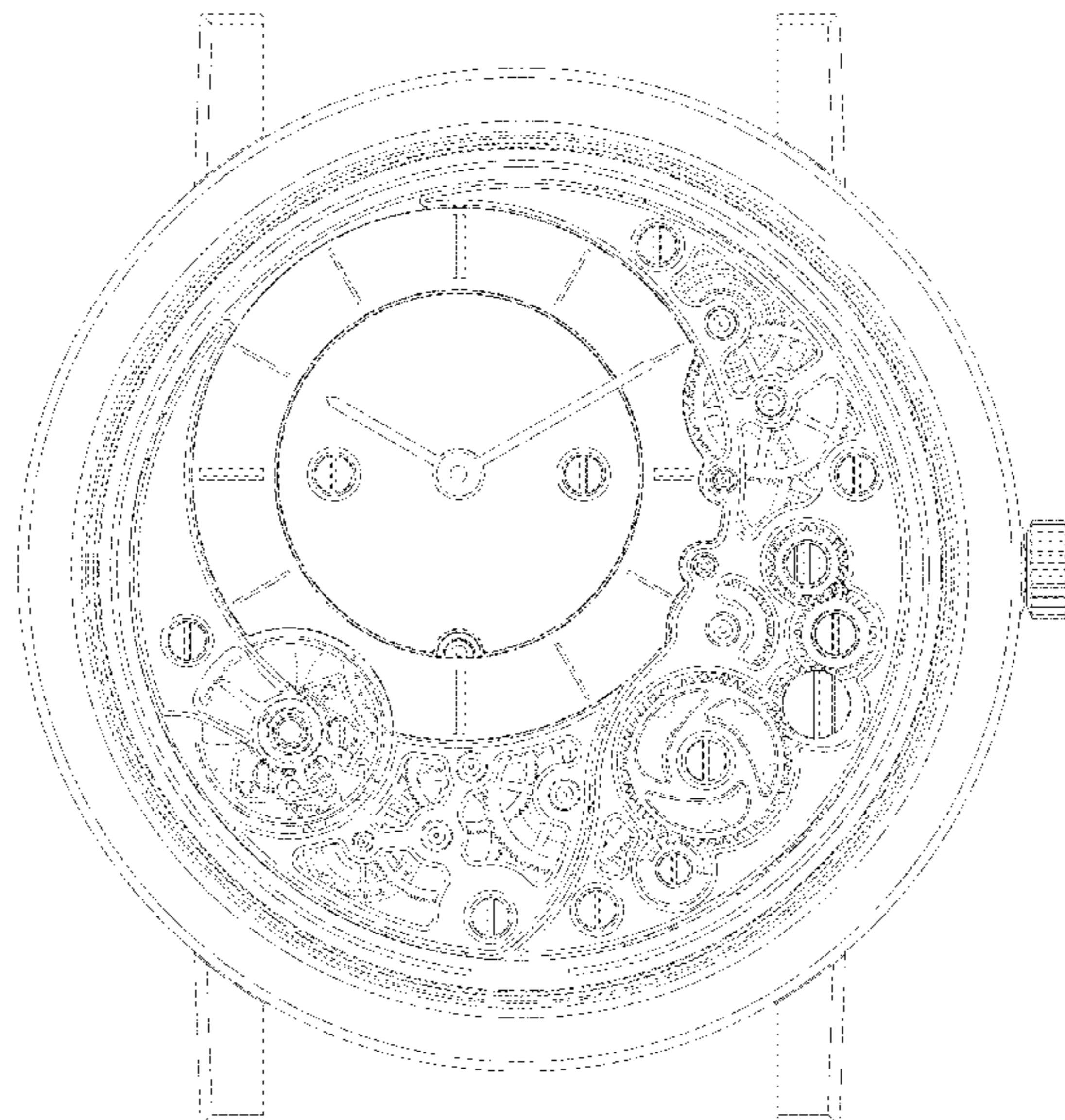
FIG. 6 is a top plan view thereof;

FIG. 7 is a front, right side perspective view thereof; and,

FIG. 8 is a back, left side perspective view thereof.

The broken lines in the drawing figures depict portions of the watch that form no part of the claimed design.

**1 Claim, 8 Drawing Sheets**



(56)

**References Cited**

U.S. PATENT DOCUMENTS

D792,243 S *	7/2017	Laucella .....	D10/30
D792,246 S *	7/2017	Ruffieux .....	D10/30
D800,578 S *	10/2017	Behling .....	D10/30
D824,793 S *	8/2018	Kociszewski .....	D10/126
D836,006 S *	12/2018	Macaluso .....	D10/39
D842,742 S *	3/2019	Davoli .....	D10/126

\* cited by examiner





Fig. 1

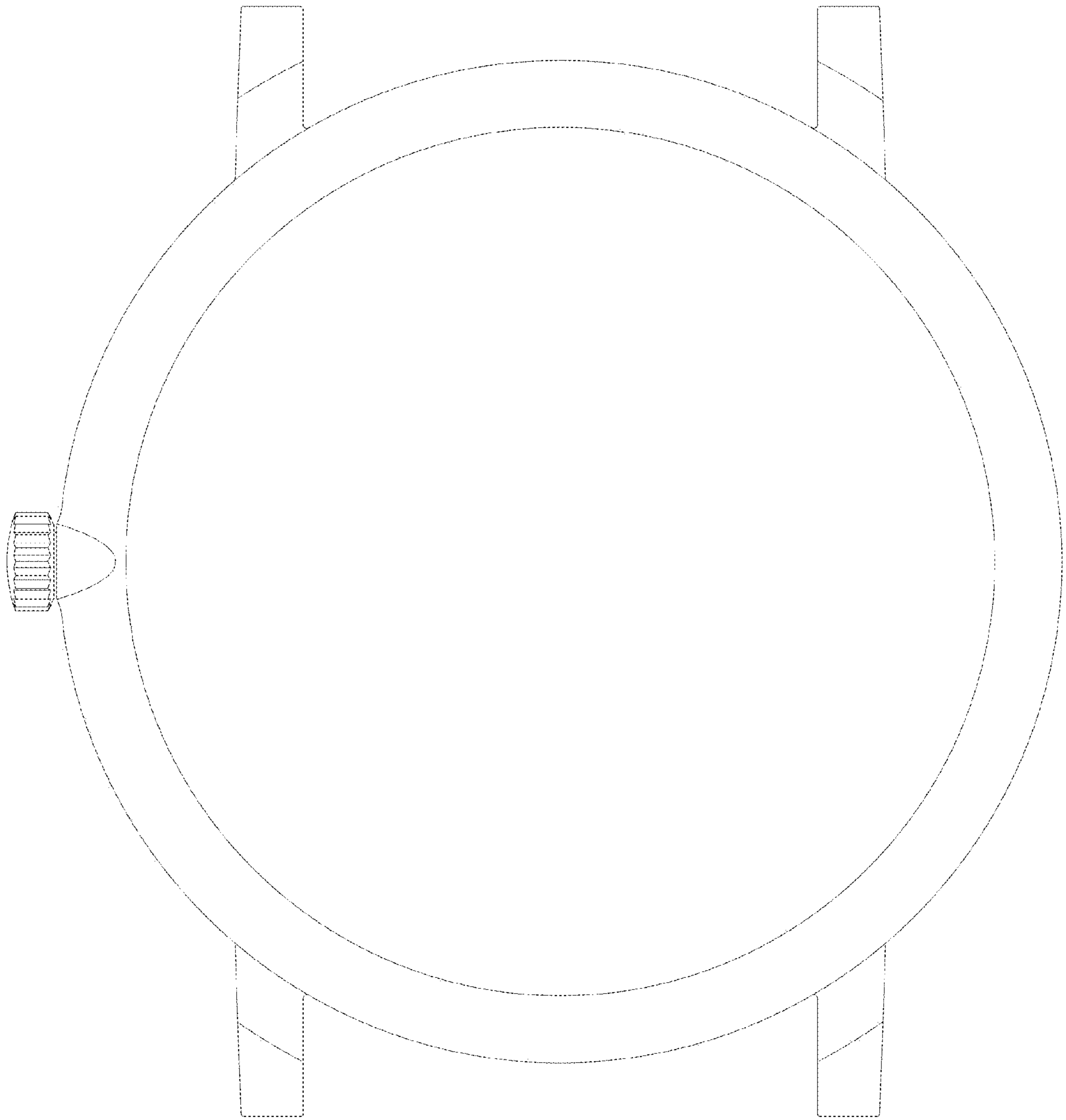


Fig. 2

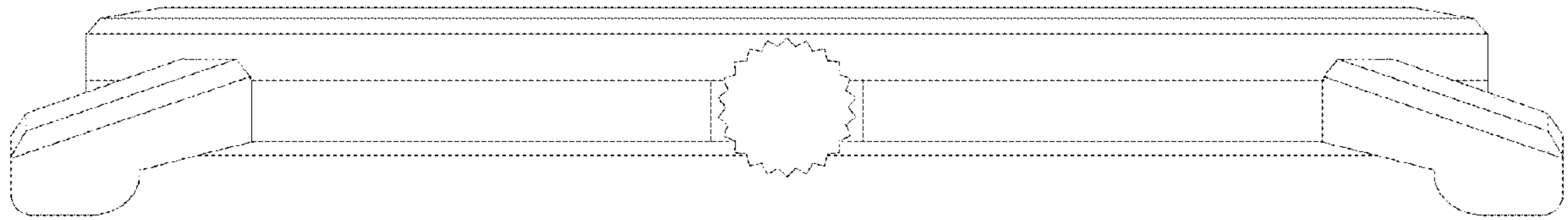


Fig. 3

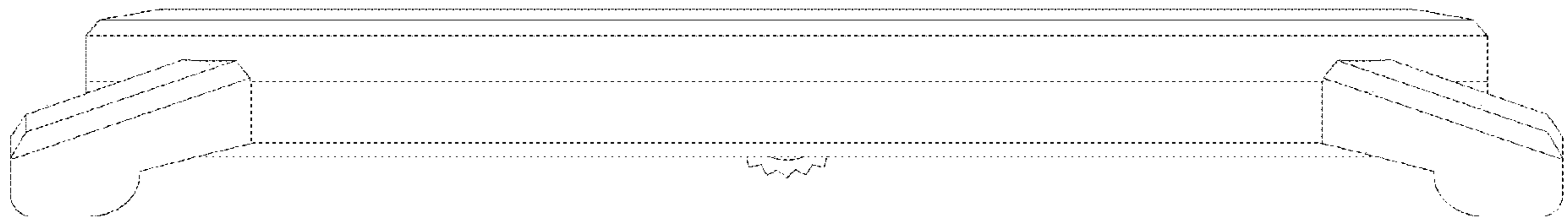


Fig. 4

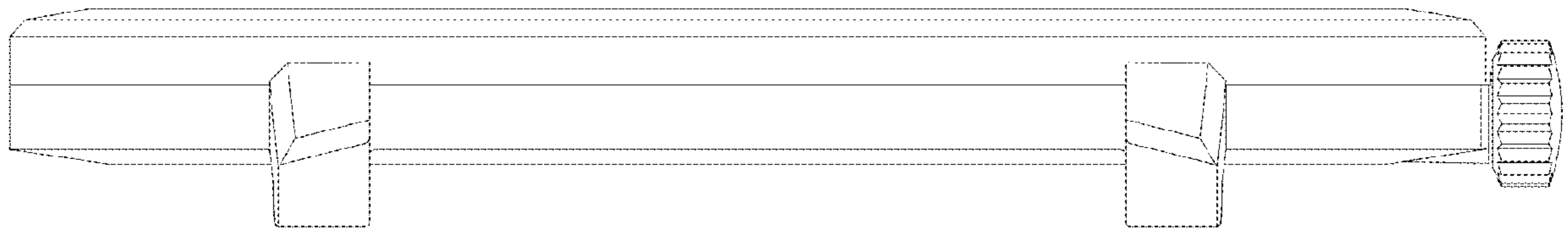


Fig. 5

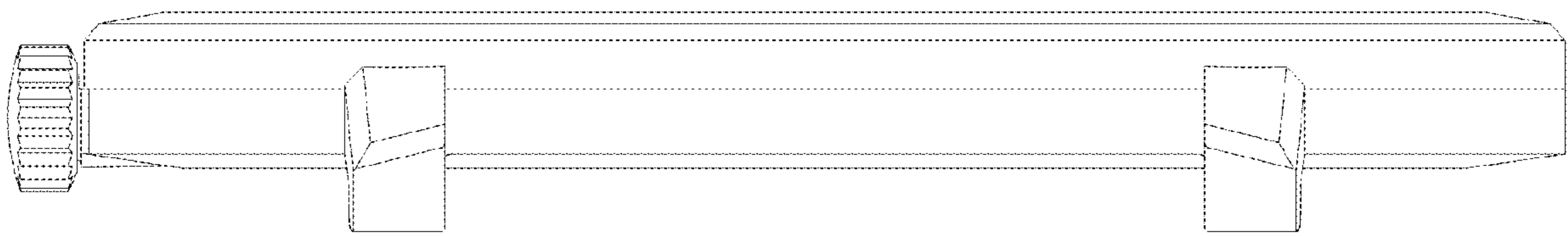


Fig. 6



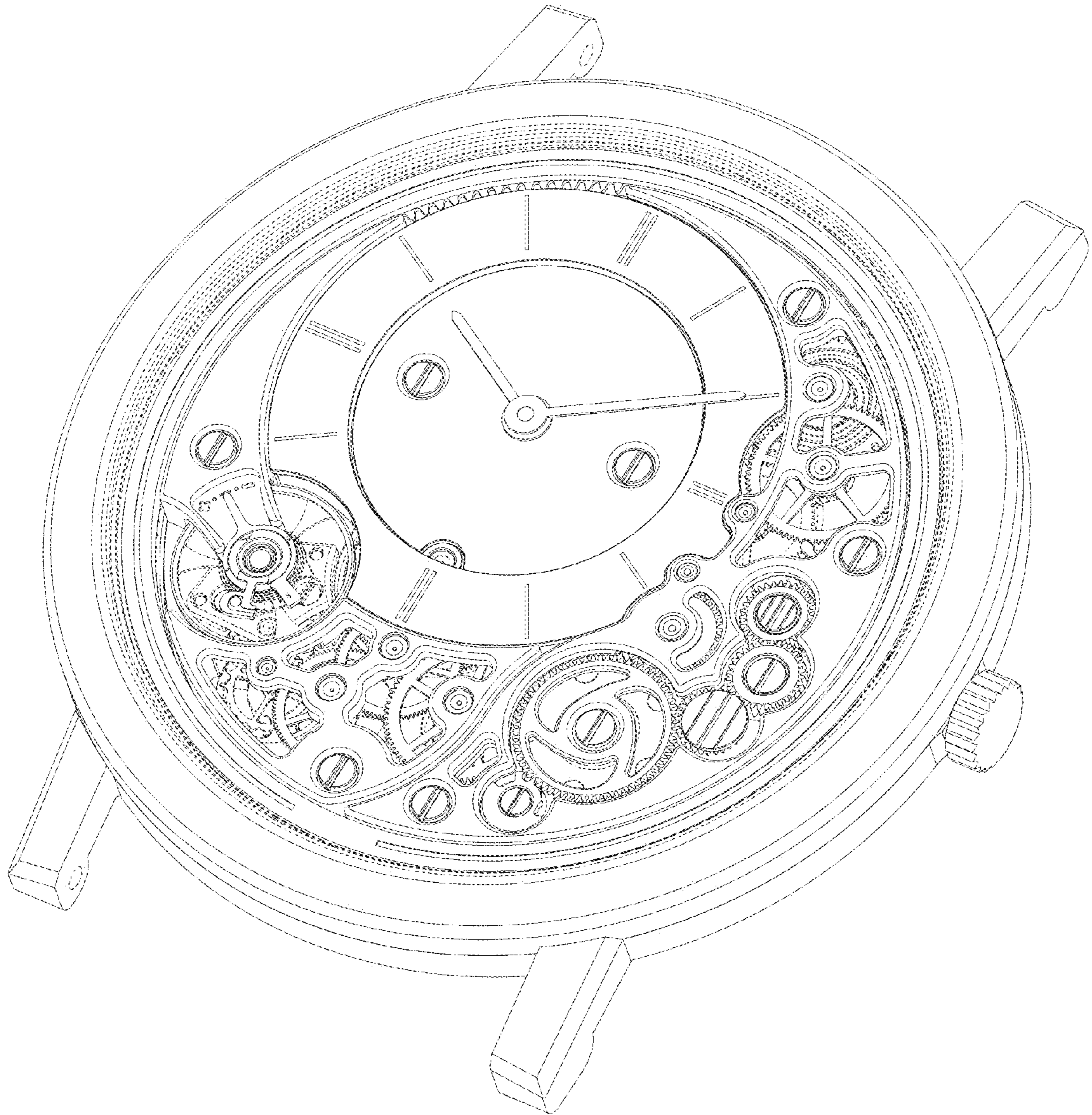


Fig. 7

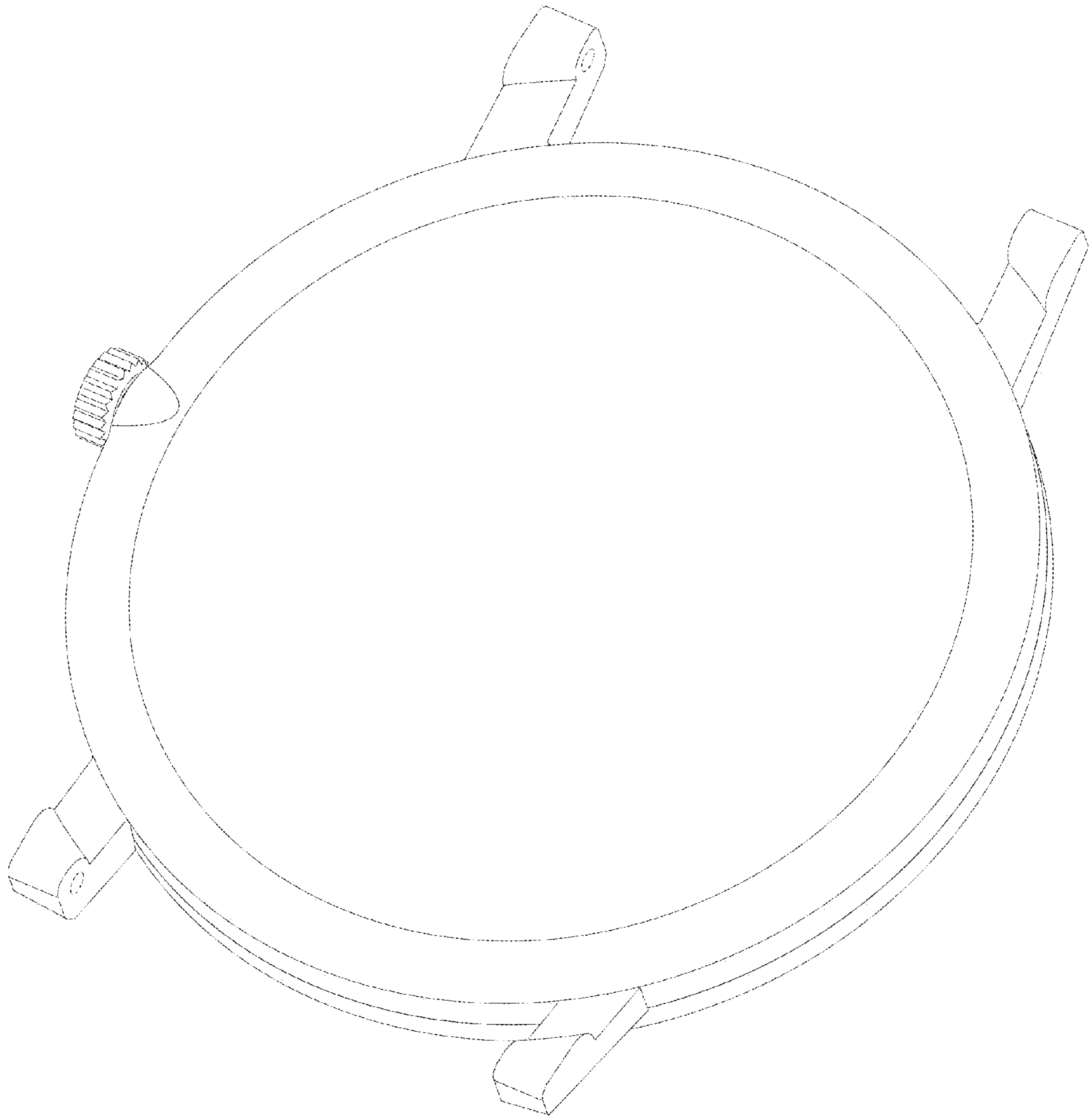


Fig. 8