



US00D875556S

(12) **United States Design Patent**
Matey et al.

(10) **Patent No.:** **US D875,556 S**
(45) **Date of Patent:** **** Feb. 18, 2020**

(54) **WATCH**

(71) Applicant: **Origami Owl, LLC**, Chandler, AZ (US)

(72) Inventors: **Emma Matey**, Chandler, AZ (US); **Blair Buttke**, Phoenix, AZ (US); **Dale Lee Tse Kang**, Kowloon (HK); **Rose Chau Pei Shan**, Kowloon (HK)

(73) Assignee: **Origami Owl, LLC**, Chandler, AZ (US)

(**) Term: **15 Years**

(21) Appl. No.: **29/579,424**

(22) Filed: **Sep. 29, 2016**

(51) **LOC (12) Cl.** **10-02**

(52) **U.S. Cl.**
USPC **D10/39**

(58) **Field of Classification Search**
USPC D10/1-2, 6-10, 14-15, 22, 30-39, 65, D10/70, 97-98, 122-126, 128; D14/344; D24/167, 186; D11/3, 16, 80, 89-92, 94
(Continued)

(56) **References Cited**

U.S. PATENT DOCUMENTS

D262,609 S * 1/1982 Kurowsky D10/39
D262,692 S * 1/1982 Kurowsky D10/39
(Continued)

OTHER PUBLICATIONS

Chopard Geneve Happy Diamond Watches | posted at iorio.com No posting date given; vintage 1990s watch © J&M Coin & Jewellery Ltd. 2000-2013 [online][site visited Oct. 19, 2017]. Available from Internet: <<http://www.iorio.com/watch/chopard/jk9d628a.html>> (Year: 1990).*

(Continued)

Primary Examiner — Sandra S Snapp
Assistant Examiner — Katherine Glennon

(74) *Attorney, Agent, or Firm* — Fennemore Craig, P.C.

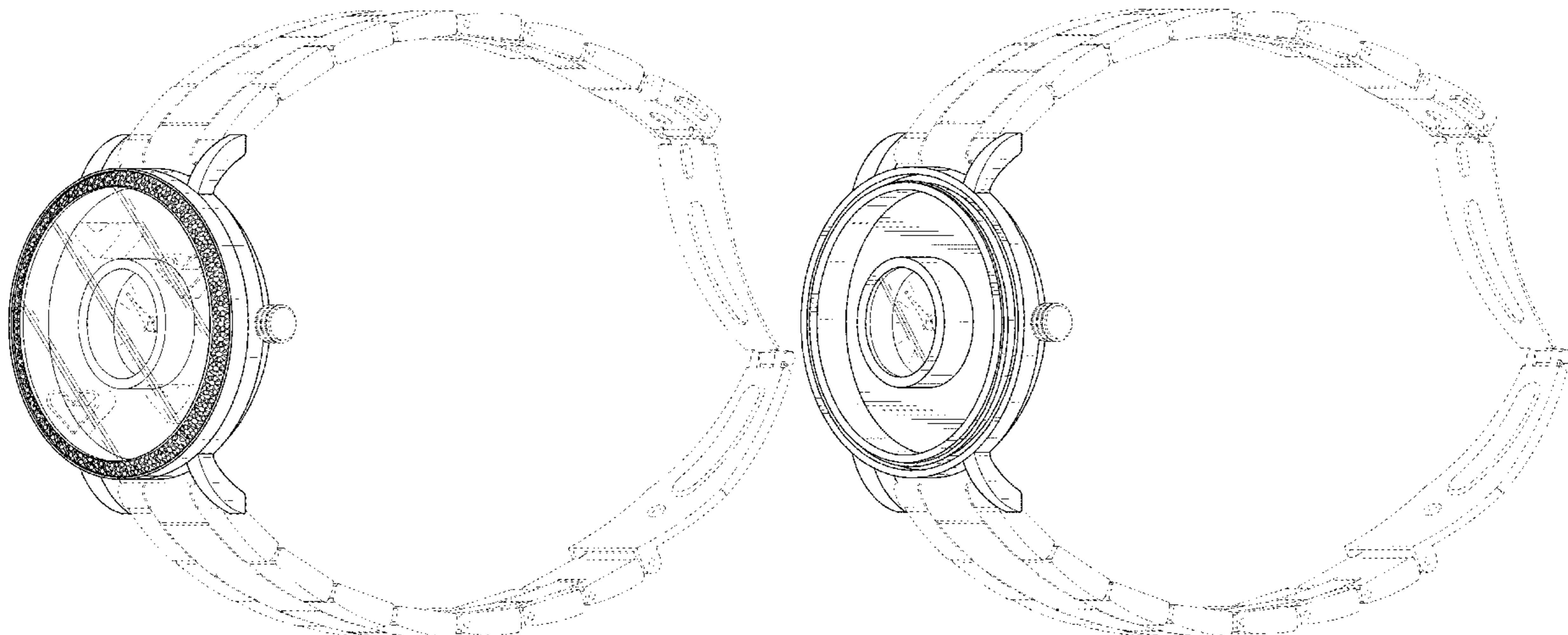
(57) **CLAIM**

The ornamental design for a watch, as shown and described.

DESCRIPTION

FIG. 1 is a perspective view of a first embodiment of a watch, the watch comprising a watch case, a plurality of lugs, and a watch cover;
FIG. 2 is a front elevation view thereof;
FIG. 3 is a rear elevation view thereof;
FIG. 4 is a top plan view thereof;
FIG. 5 is a bottom plan view thereof;
FIG. 6 is a left side elevation view thereof;
FIG. 7 is a right side elevation view thereof;
FIG. 8 is a perspective view of a second embodiment of a watch, the watch comprising a watch case and a watch cover;
FIG. 9 is a front elevation view thereof;
FIG. 10 is a rear elevation view thereof;
FIG. 11 is a top plan view thereof;
FIG. 12 is a bottom plan view thereof;
FIG. 13 is a left side elevation view thereof;
FIG. 14 is a right side elevation view thereof;
FIG. 15 is a perspective view of the first embodiment of FIG. 1, wherein the watch cover has been removed for ease of illustration;
FIG. 16 is a front elevation view thereof;
FIG. 17 is a rear elevation view thereof;
FIG. 18 is a top plan view thereof;
FIG. 19 is a bottom plan view thereof;
FIG. 20 is a left side elevation view thereof;
FIG. 21 is a right side elevation view thereof;
FIG. 22 is a perspective view of the second embodiment of FIG. 2, wherein the watch cover has been removed for ease of illustration;
FIG. 23 is a front elevation view thereof;
FIG. 24 is a rear elevation view thereof;
FIG. 25 is a top plan view thereof;
FIG. 26 is a bottom plan view thereof;
FIG. 27 is a left side elevation view thereof; and,
FIG. 28 is a right side elevation view thereof.
The broken lines in the drawings illustrate portions of the watch that form no part of the claimed design.

1 Claim, 20 Drawing Sheets



(58) **Field of Classification Search**

CPC G04B 19/00; G04B 19/025; G04B 19/04;
 G04B 19/046; G04B 19/048; G04B
 19/06; G04B 19/08; G04B 19/085; G04B
 19/087; G04B 45/0069; G04B 45/0076;
 G04B 19/065; G04B 19/082; G04B
 19/10; G04B 19/103; G04B 19/106;
 G04B 19/12; G04B 19/16; G04B 19/163;
 G04B 19/166; G04B 19/18; G04B 19/22;
 G04B 19/223; G04B 19/225; G04B
 19/226; G04B 19/228; G04B 27/00;
 G04B 27/06

See application file for complete search history.

(56) **References Cited**

U.S. PATENT DOCUMENTS

4,734,895 A * 3/1988 Grosskopf G04B 47/044
 368/223
 D316,974 S * 5/1991 Fong D10/32
 D319,027 S * 8/1991 Burgener D10/39
 5,051,969 A 9/1991 Huang
 5,077,709 A 12/1991 Feher
 D325,887 S 5/1992 Vodhanel, Jr.
 5,319,615 A * 6/1994 Ng G04B 47/046
 368/276
 D353,339 S * 12/1994 Gazzola D10/30
 D370,859 S 6/1996 Scheufele
 D373,957 S * 9/1996 Mareschal D10/30
 5,652,736 A 7/1997 Lee
 D386,422 S * 11/1997 Sang D10/30
 D386,979 S * 12/1997 Kubisch D10/32
 5,751,667 A * 5/1998 Nunes G04B 19/12
 368/223
 D420,600 S * 2/2000 Gruosi-Scheufele D10/39
 6,226,232 B1 5/2001 Ruchonnet
 6,819,632 B1 * 11/2004 Paul G04B 45/0092
 368/88
 D507,974 S * 8/2005 Strasser D10/30
 D509,447 S * 9/2005 Scheufele D10/39
 D509,448 S 9/2005 Scheufele
 D509,449 S * 9/2005 Scheufele D10/39
 D509,759 S * 9/2005 Scheufele D10/39
 D526,218 S * 8/2006 Krieger D10/39
 7,126,881 B2 10/2006 Cooper et al.
 D532,320 S * 11/2006 Arabo D10/38
 D537,741 S * 3/2007 Gruosi-Scheufele D10/39
 D546,715 S * 7/2007 Gruosi-Scheufele D10/39
 D546,716 S * 7/2007 Gruosi-Scheufele D10/39
 D546,718 S * 7/2007 Gruosi-Scheufele D10/39
 D547,210 S * 7/2007 Gruosi-Scheufele D10/39
 D554,535 S * 11/2007 Journe D10/31
 D560,513 S * 1/2008 Glassman D10/39
 7,359,287 B2 4/2008 Baroche
 D607,758 S * 1/2010 Hegi D10/39
 D615,881 S * 5/2010 Chastaingt D10/39
 D627,240 S * 11/2010 Strasser D10/30
 D631,374 S * 1/2011 Hegi D10/38
 D631,763 S * 2/2011 Vollet D10/32
 D634,216 S 3/2011 Clare

D642,076 S * 7/2011 Chastaingt D10/39
 8,096,702 B2 * 1/2012 Grotell G04B 47/044
 368/294
 D677,177 S * 3/2013 Nashimoto D10/39
 D690,208 S * 9/2013 Sasaki D10/32
 D706,142 S * 6/2014 Monachon D10/32
 D711,278 S * 8/2014 Kadri D11/56
 8,879,368 B2 * 11/2014 Jacobi, Jr. G04B 19/14
 368/228
 D720,630 S * 1/2015 Nashimoto D10/32
 8,974,113 B1 * 3/2015 Chan G04B 45/0076
 368/285
 D729,076 S * 5/2015 Monachon D10/32
 D761,151 S * 7/2016 Weems D11/80
 D775,545 S * 1/2017 Weems D11/79
 D795,709 S * 8/2017 Roberts D10/32
 2010/0329084 A1 * 12/2010 Mo G04B 19/10
 368/285
 2014/0341004 A1 * 11/2014 Von Burg G04B 47/044
 368/285
 2014/0345323 A1 * 11/2014 Sevikian A44C 9/00
 63/15

OTHER PUBLICATIONS

Chopard Watch Happy Diamonds | posted at passions.com No posting date given; vintage 1990s watch Copyright@ 1991-2015 [online][site visited Oct. 19, 2017]. Available from Internet: <<http://www.passions.com.sg/v2/watch/chopard-ladys-happy-diamonds-18kyg>> (Year: 1990).*

Kenneth Cole New York KC2785 Watch | posted at amazon.com. Posting date not given; date first available May 1, 2013 © 1996-2017, Amazon.com, Inc. [online][site visited Oct. 19, 2017]. Available from Internet: <<https://www.amazon.com/Kenneth-Cole-New-York-KC2785/dp/B00APKMUIK>> (Year: 2013).*

Origami Owl Watch | posted at owlography.com Aug. 2015 © Owlography, 2016 [online][site visited Apr. 2, 2018]. Available from Internet: <<http://www.owlography.com/origami-owl-watch/>> (Year: 2015).*

Chopard Happy Diamonds 1980 floating dial | posted at vtgwatch.com n.d. circa 1980 © 2017 VTGwatch.com [online][site visited Nov. 1, 2018]. Available from internet: <<https://www.vtgwatch.com/chopard-happy-diamonds-0-15crt-18k-papers-gift-box-1980-solid-gold-floating-diamonds.html>> (Year: 1980).*

Origami Owl Watch | posted at youtube.com Jul. 28, 2015 [online][site visited Nov. 1, 2018]. Available from internet: <https://www.youtube.com/watch?v=8rd1U9-L_WA> (Year: 2015).*

A Brief History of Chopard Time and Jewels | posted at watchprosite.com Feb. 2016 © ** [online][site visited Nov. 1, 2018]. Available from internet: <<https://www.watchprosite.com/chopard/a-brief-history-of-chopard-time-and-jewels-part-5-happy-diamonds-mens-watch/5.1035163.7387643/>> (Year: 2016).*

Origami Owl How to Customize your Signature Locket Watch Band | posted at youtube.com Jan. 2017 [online]. © [retrieved Sep. 19, 2019] from Internet: <https://www.youtube.com/watch?time_continue=11&v=74G0khLd6u4> (Year: 2017).*

“Fall 2016 Origami Owl Custom Jewelry” catalog, Aug. 9, 2016; Chandler, Arizona, USA.

* cited by examiner

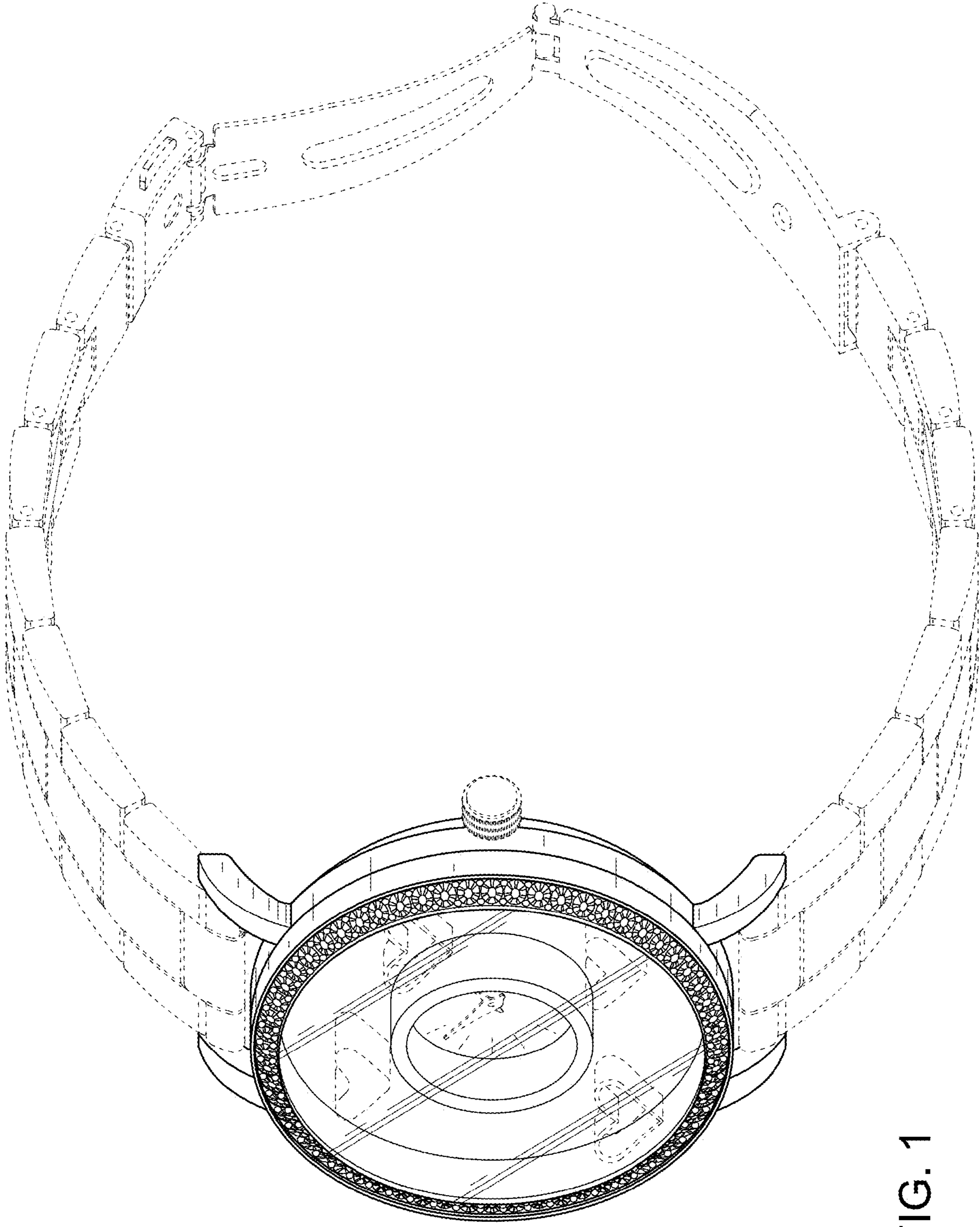


FIG. 1

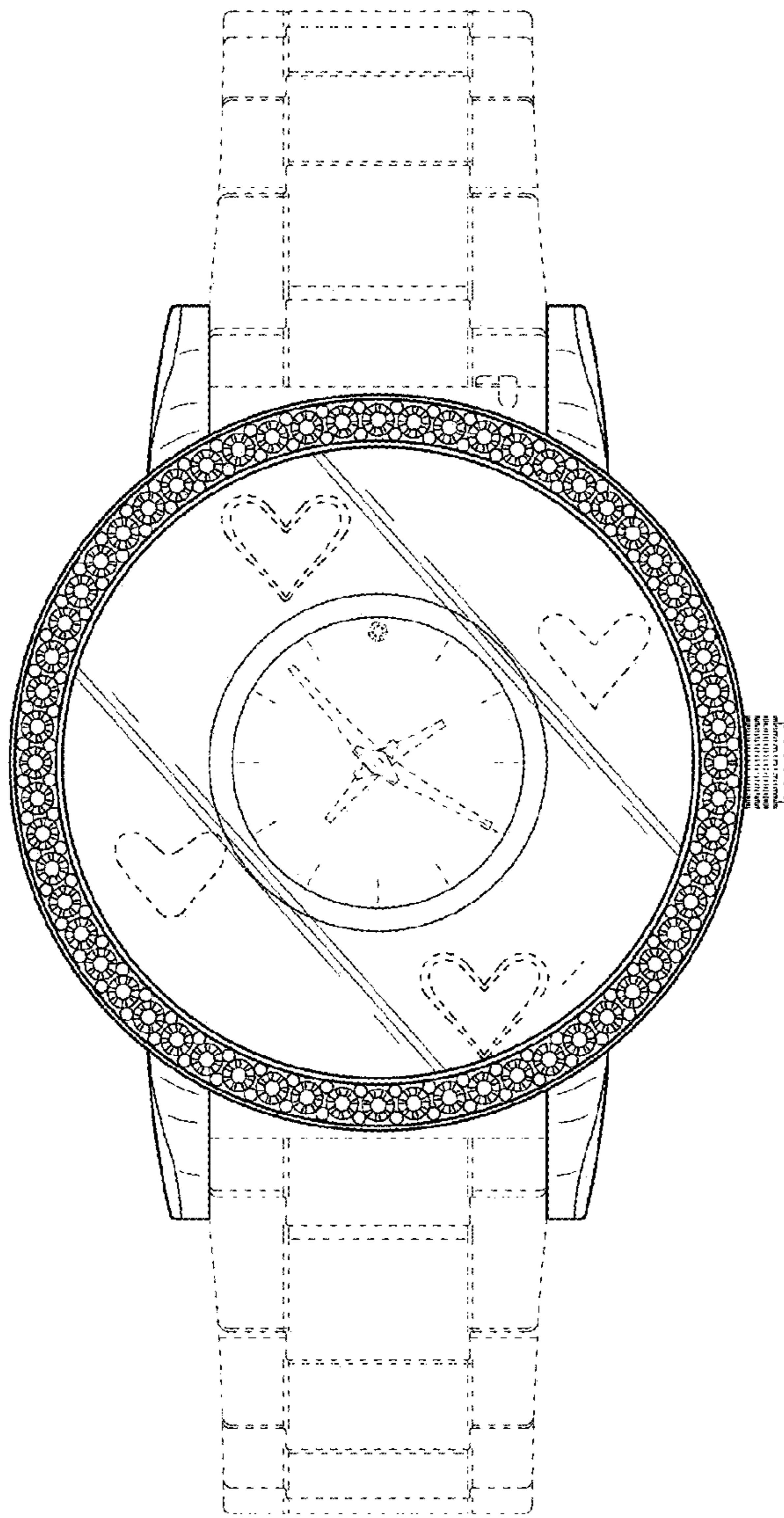


FIG. 2

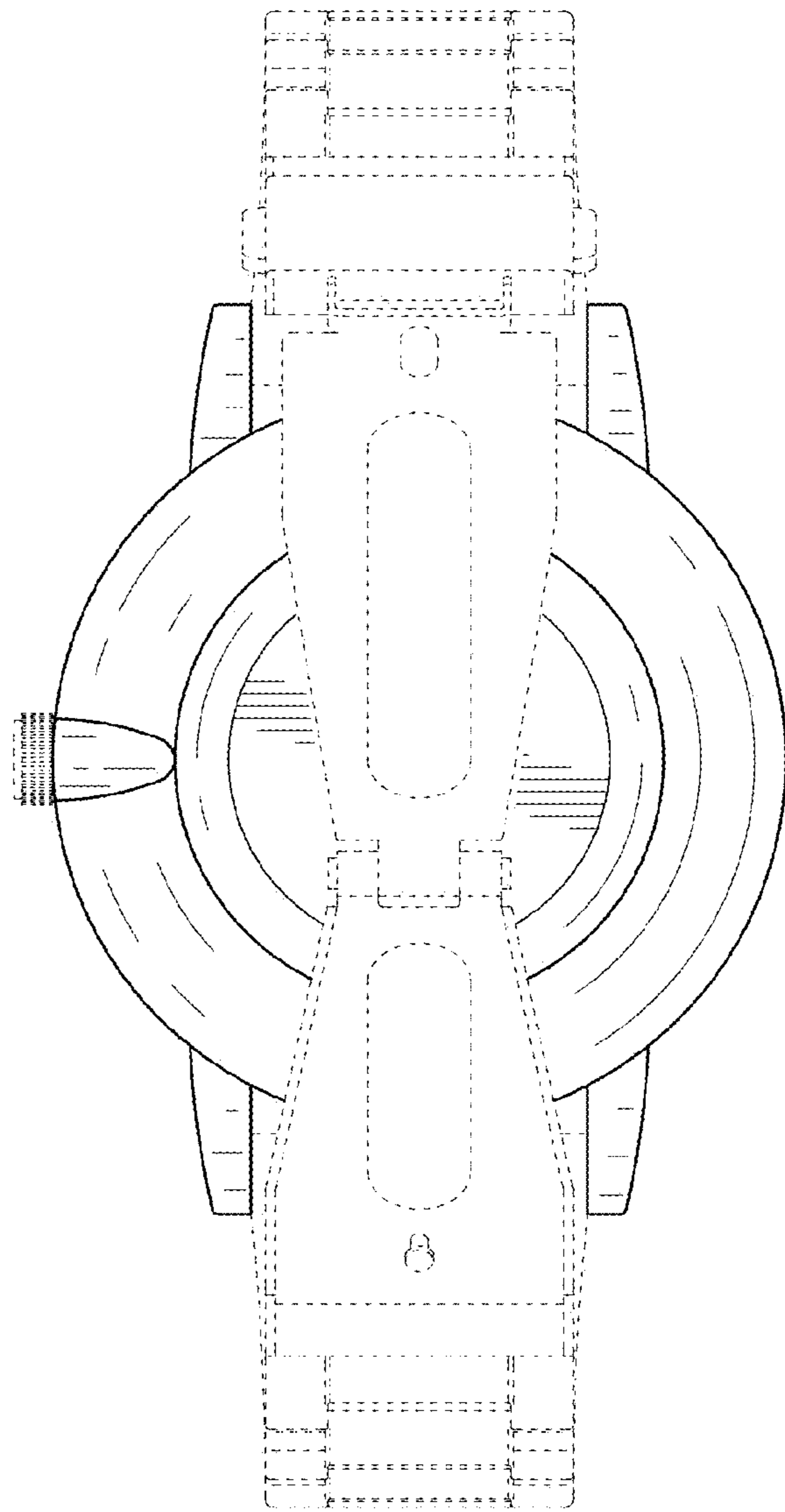


FIG. 3

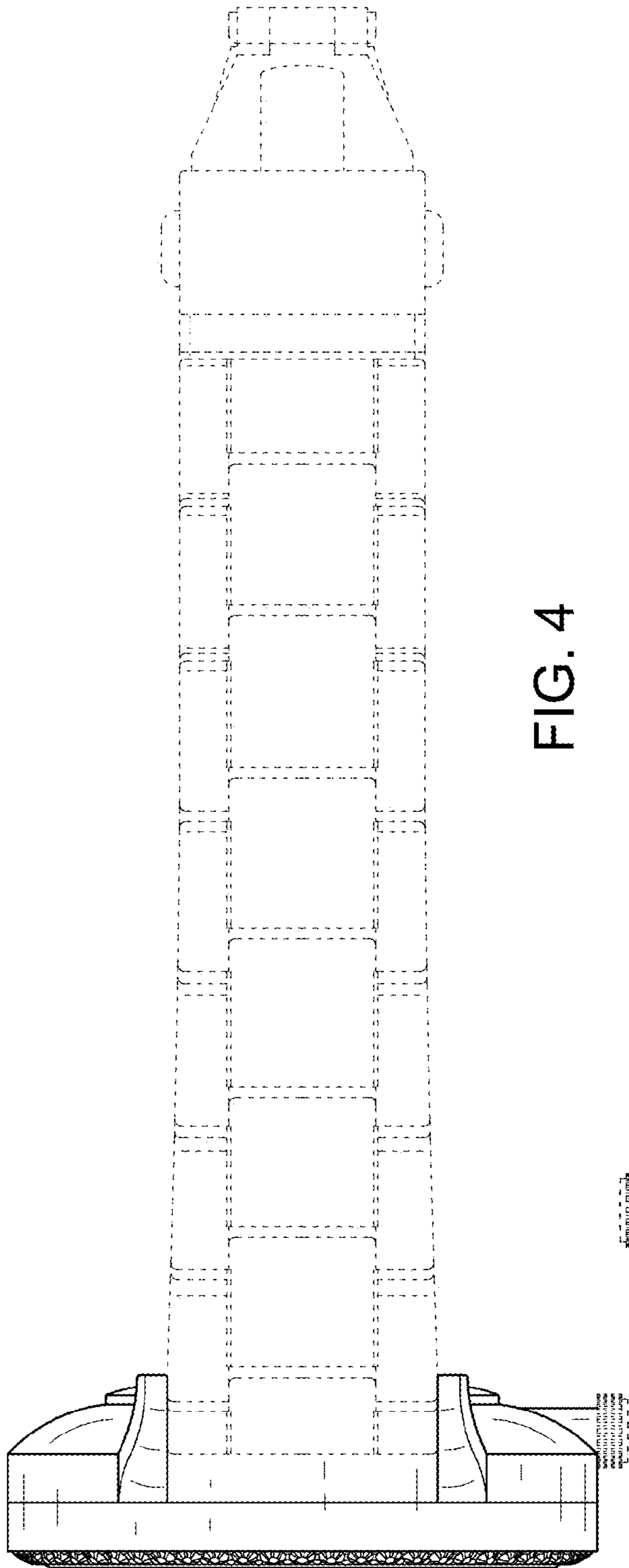


FIG. 4

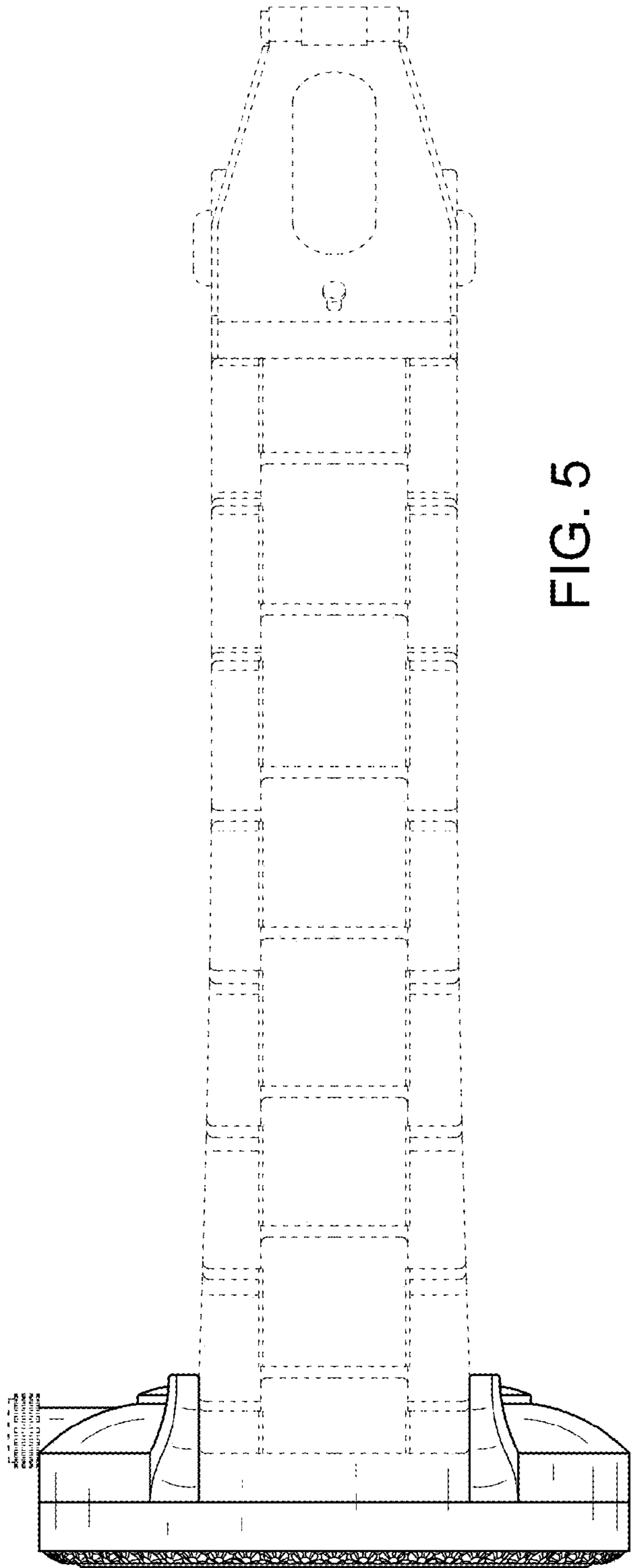


FIG. 5

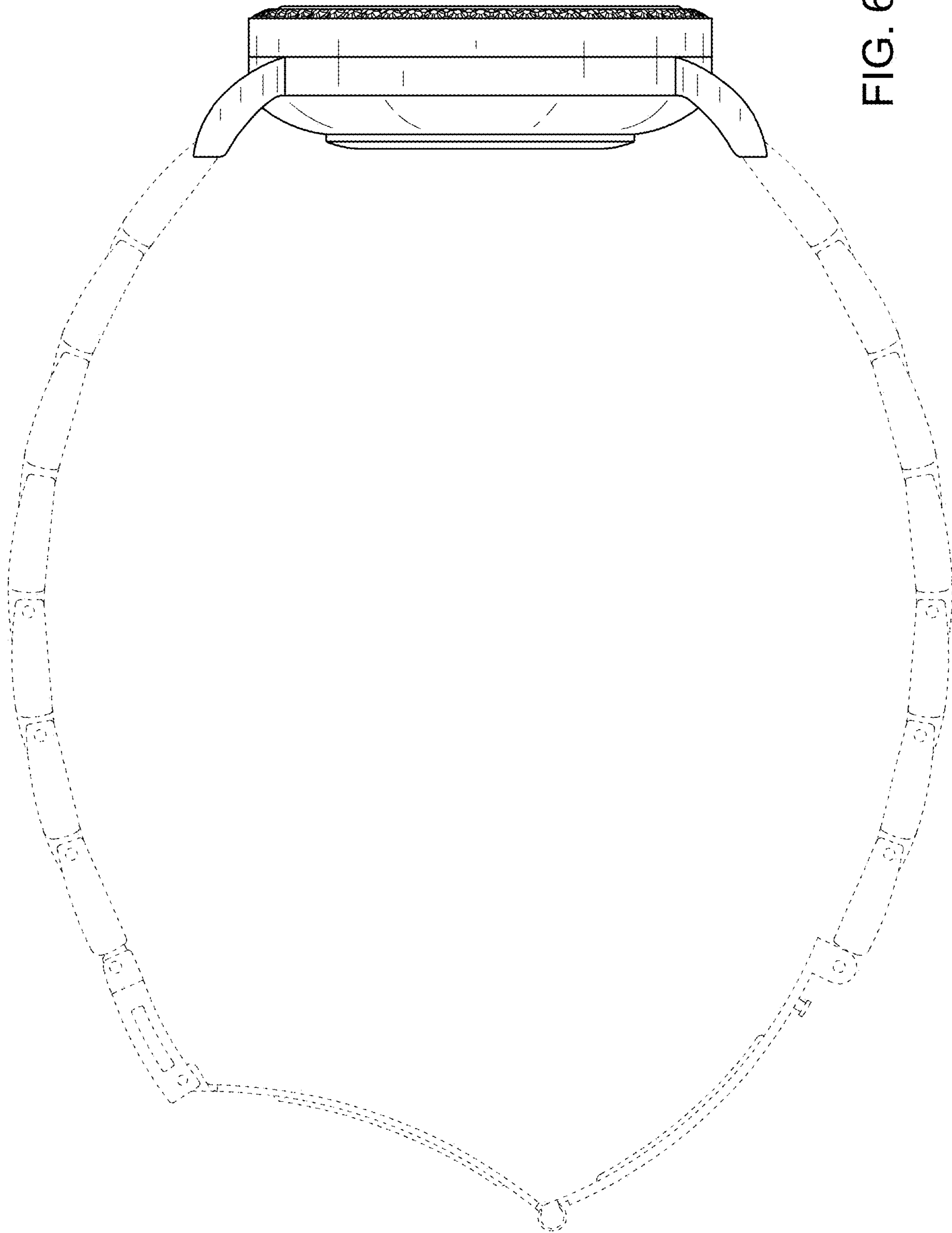


FIG. 6

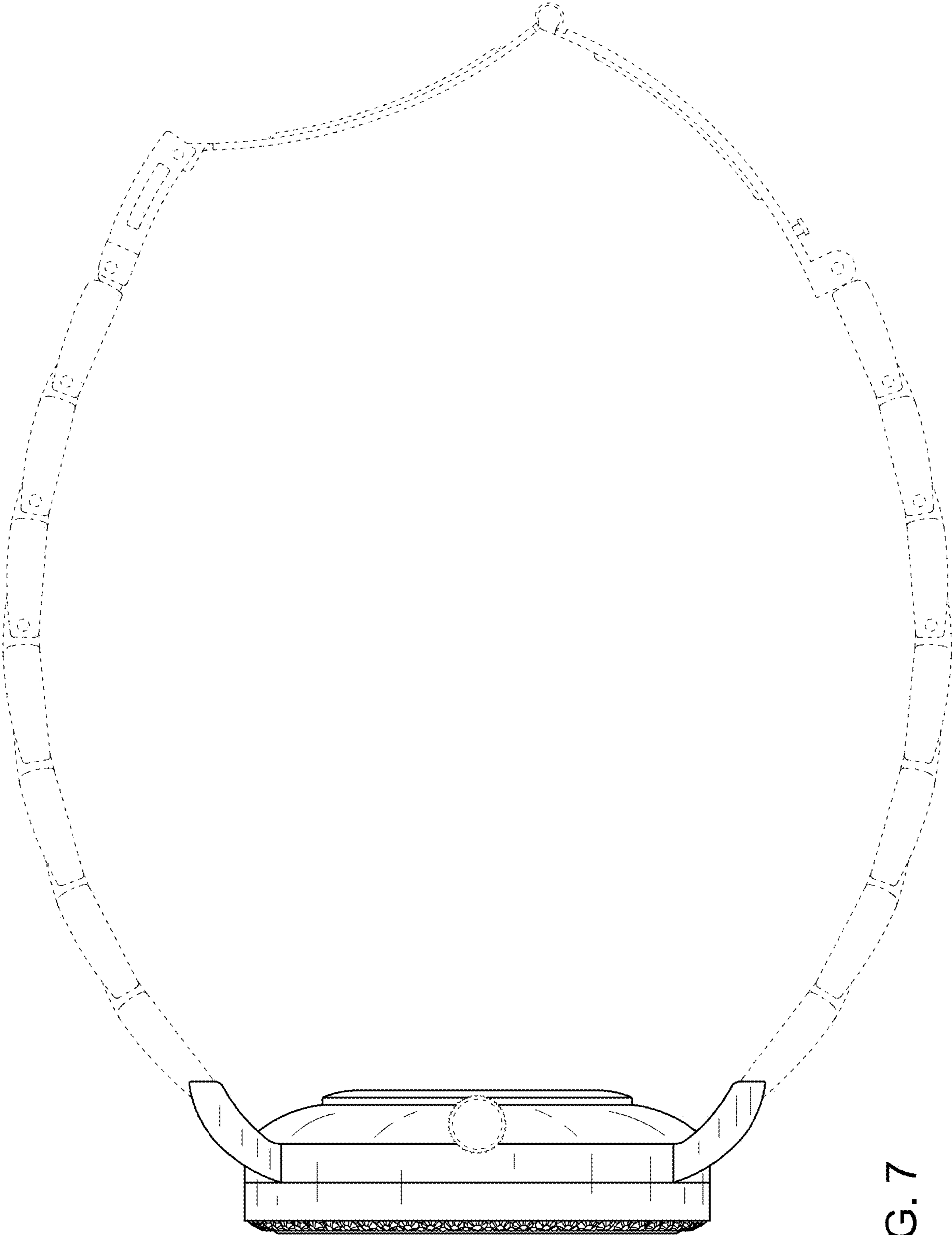


FIG. 7

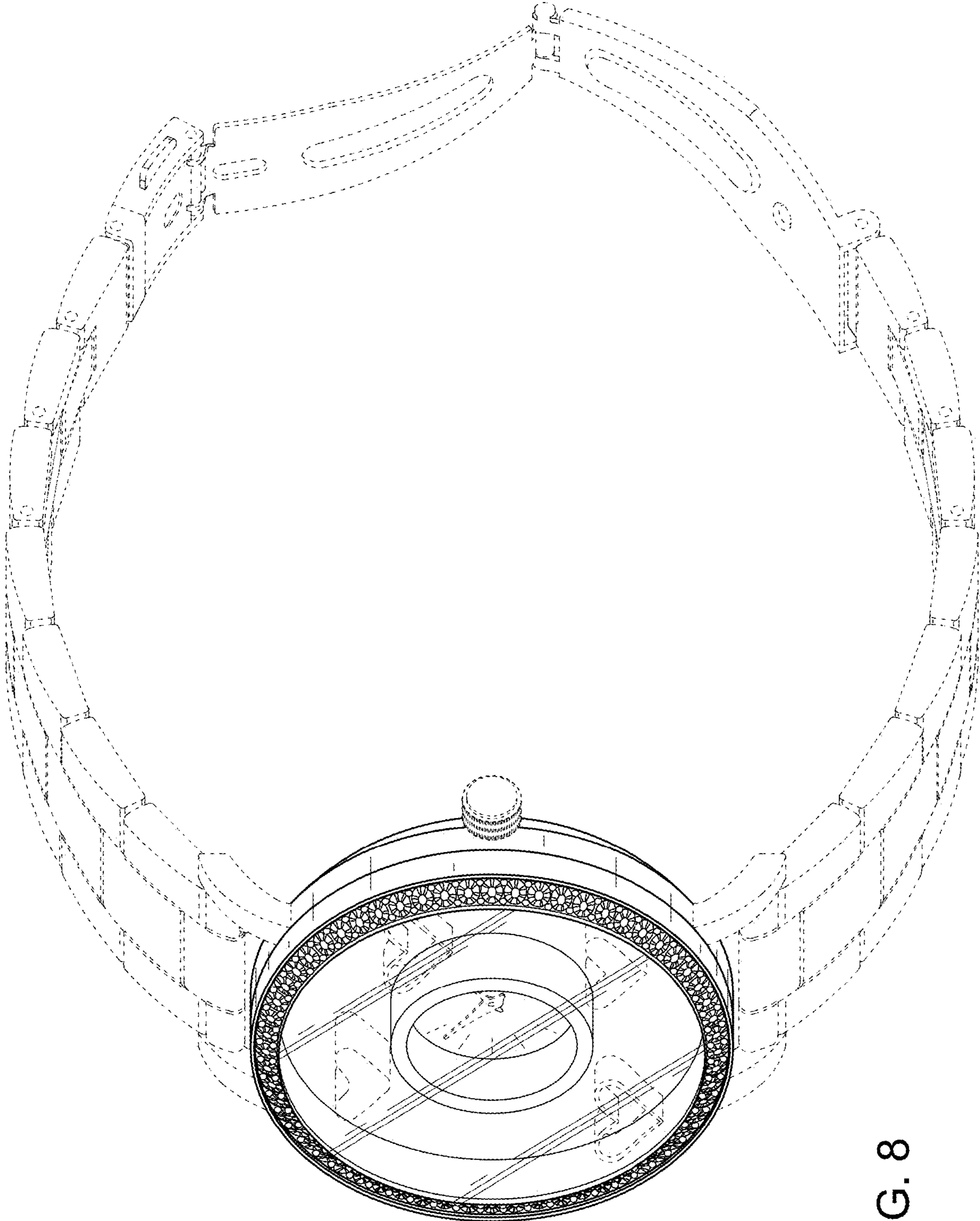


FIG. 8

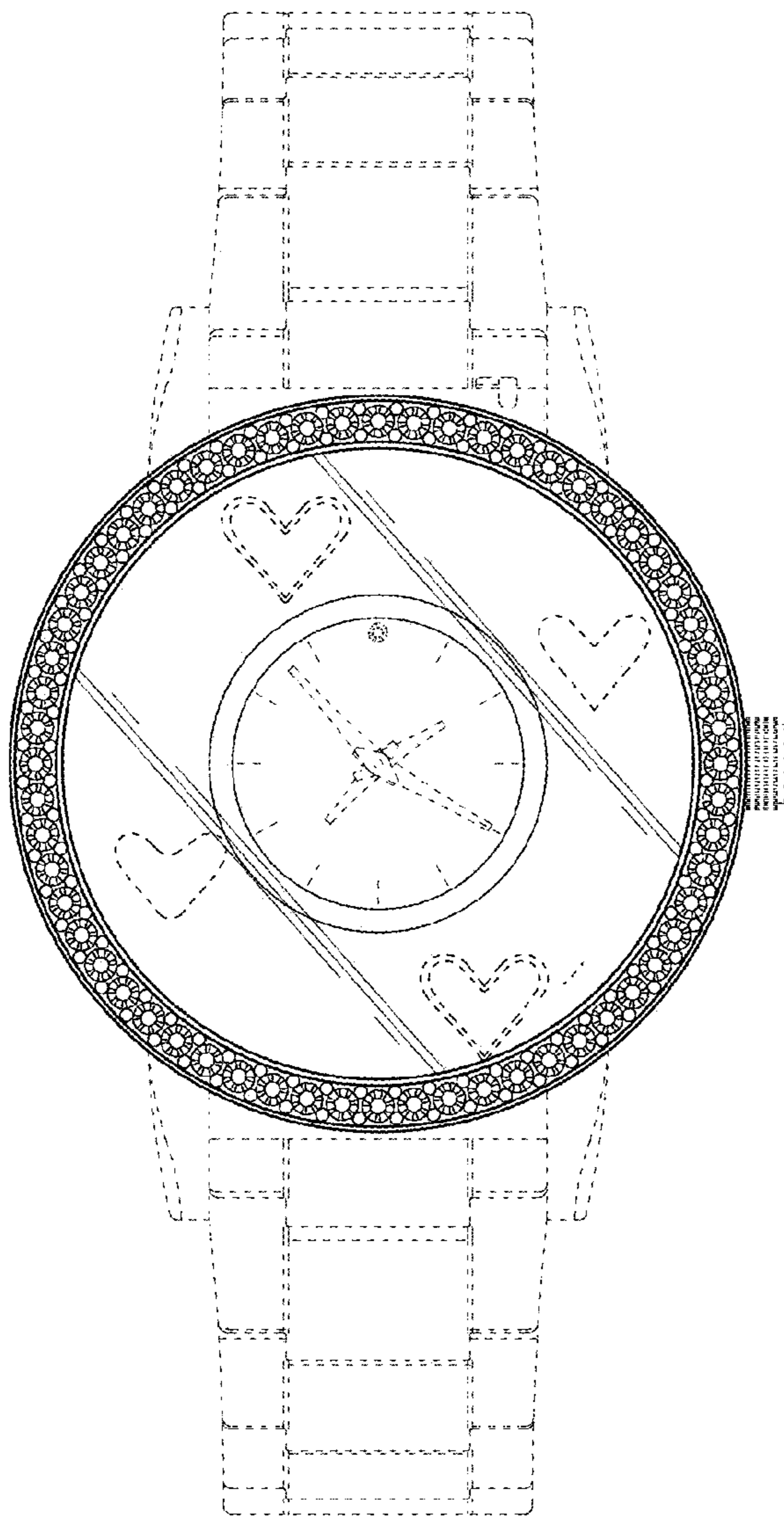


FIG. 9

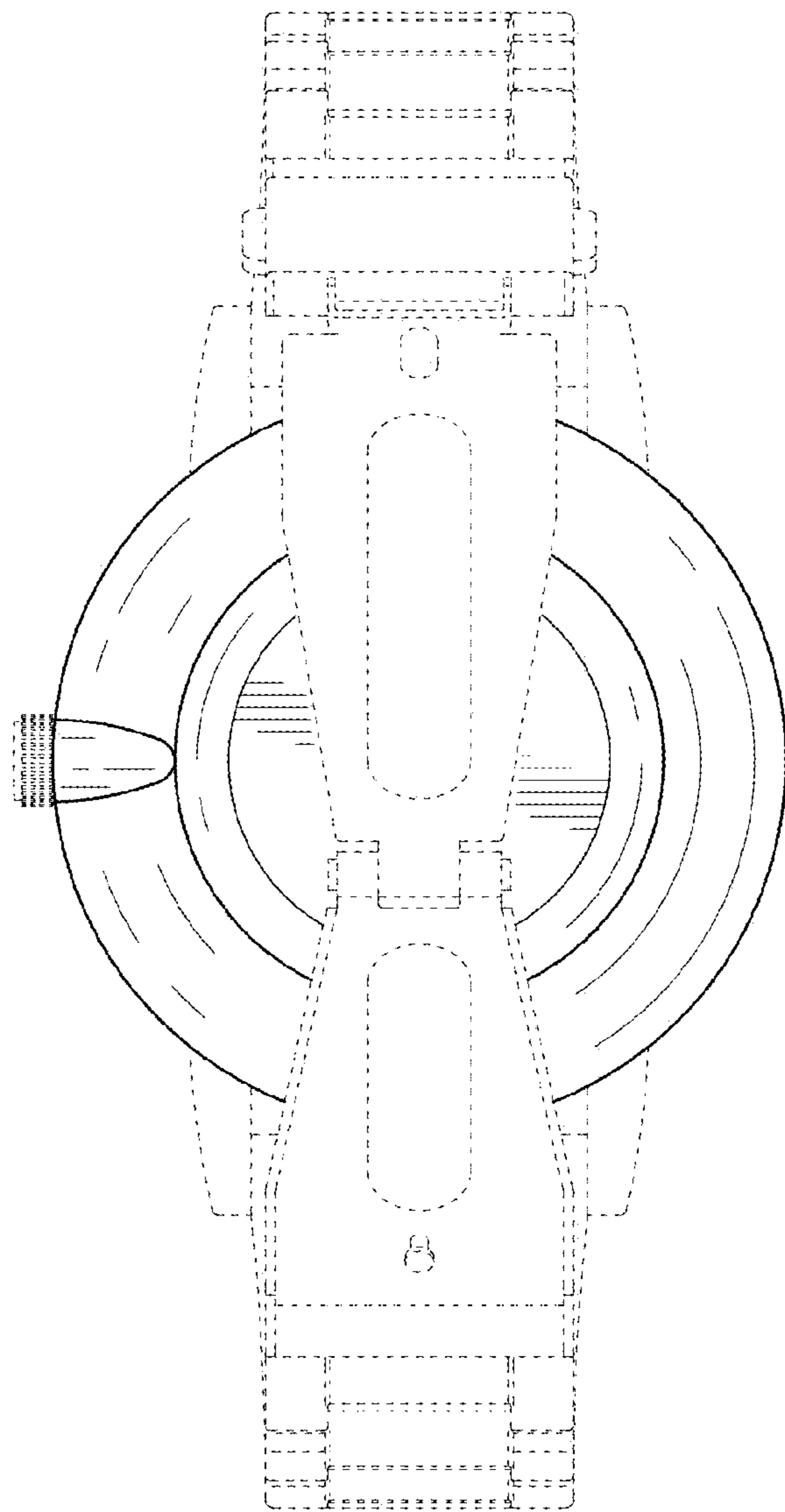


FIG. 10

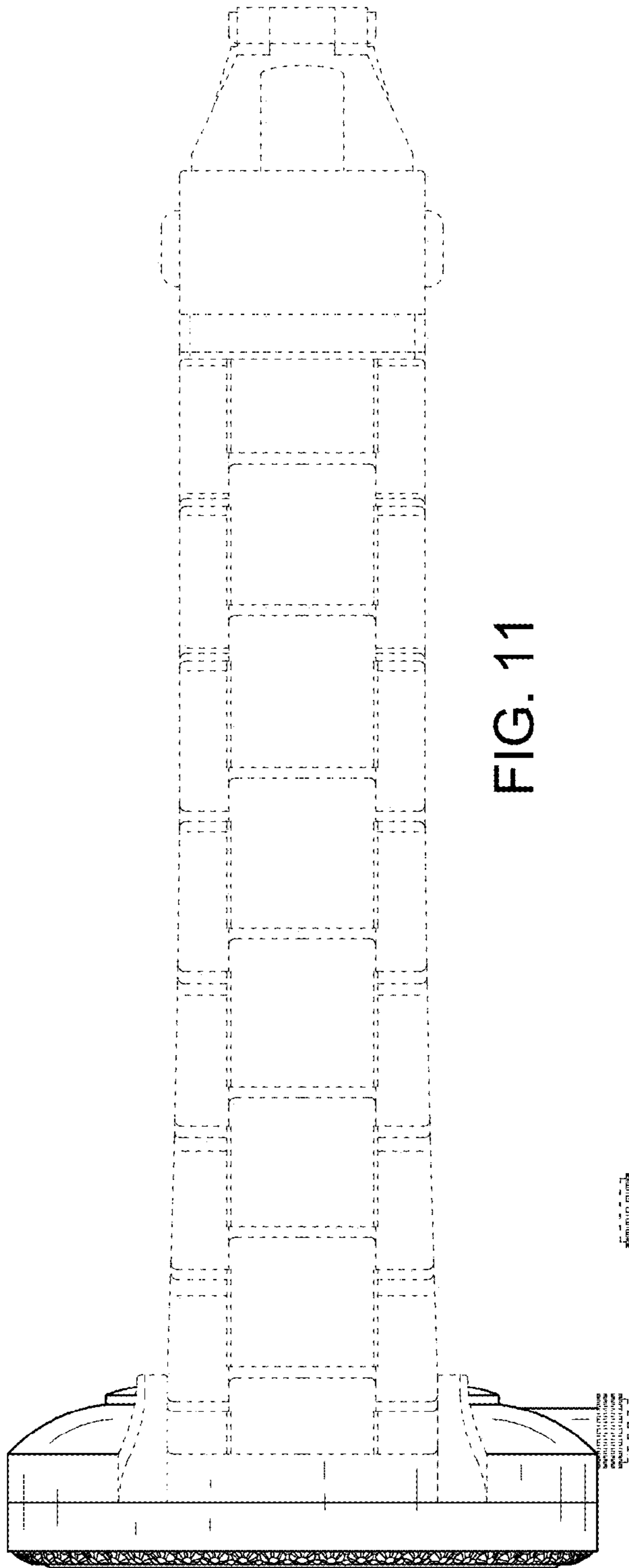


FIG. 11

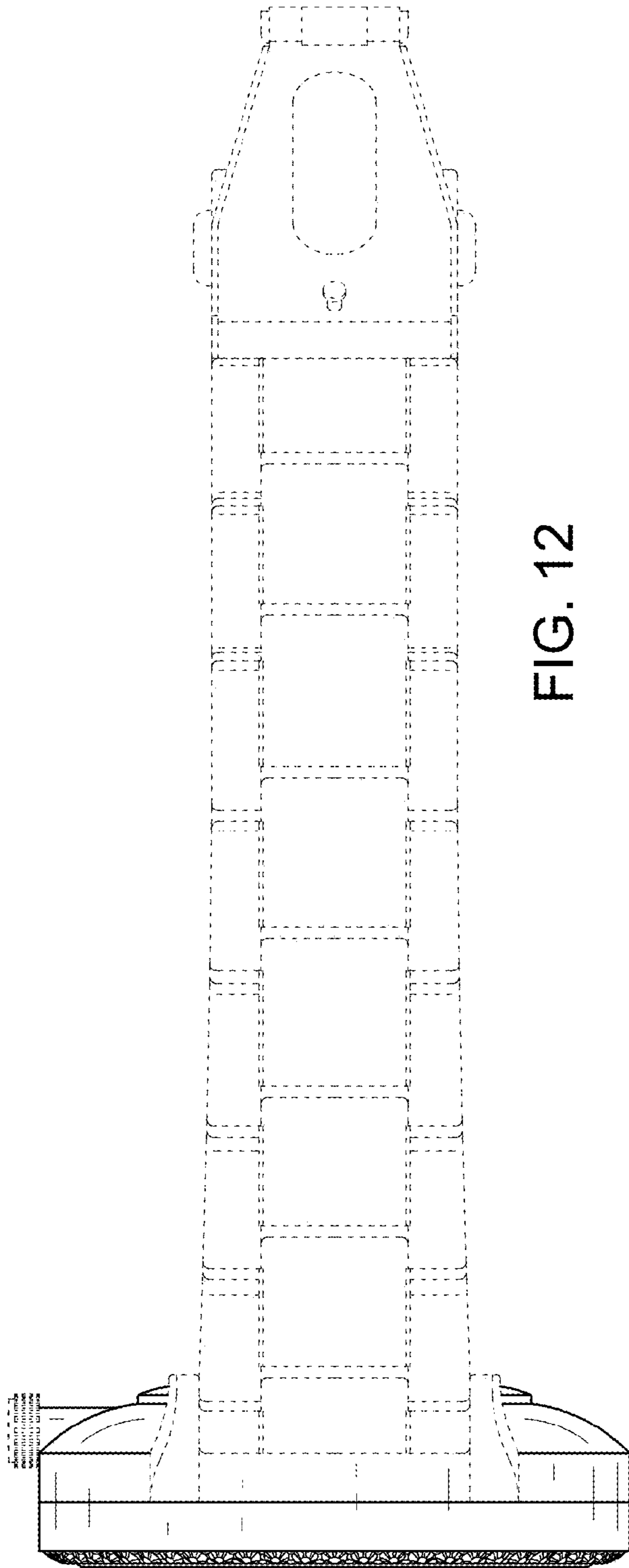


FIG. 12

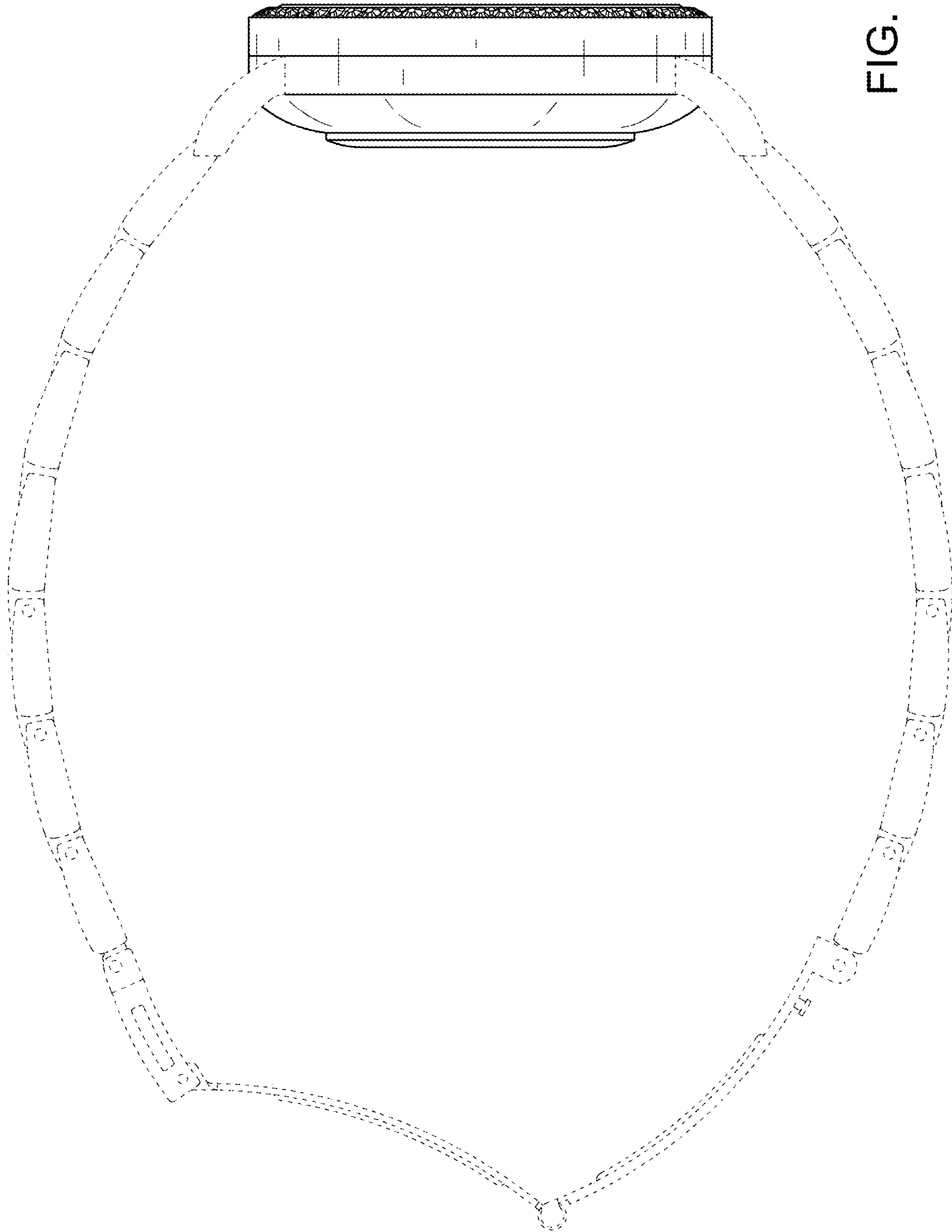


FIG. 13

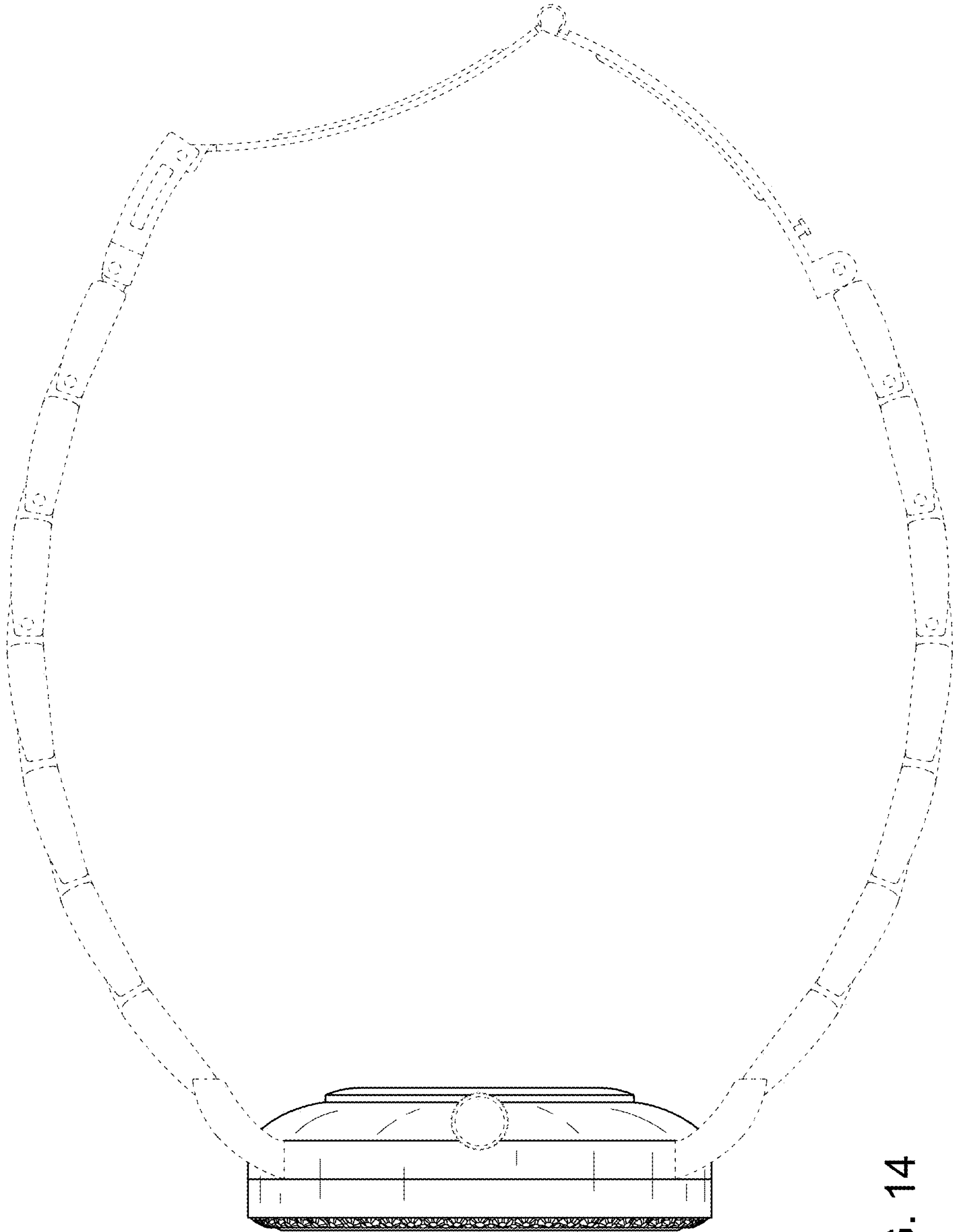


FIG. 14

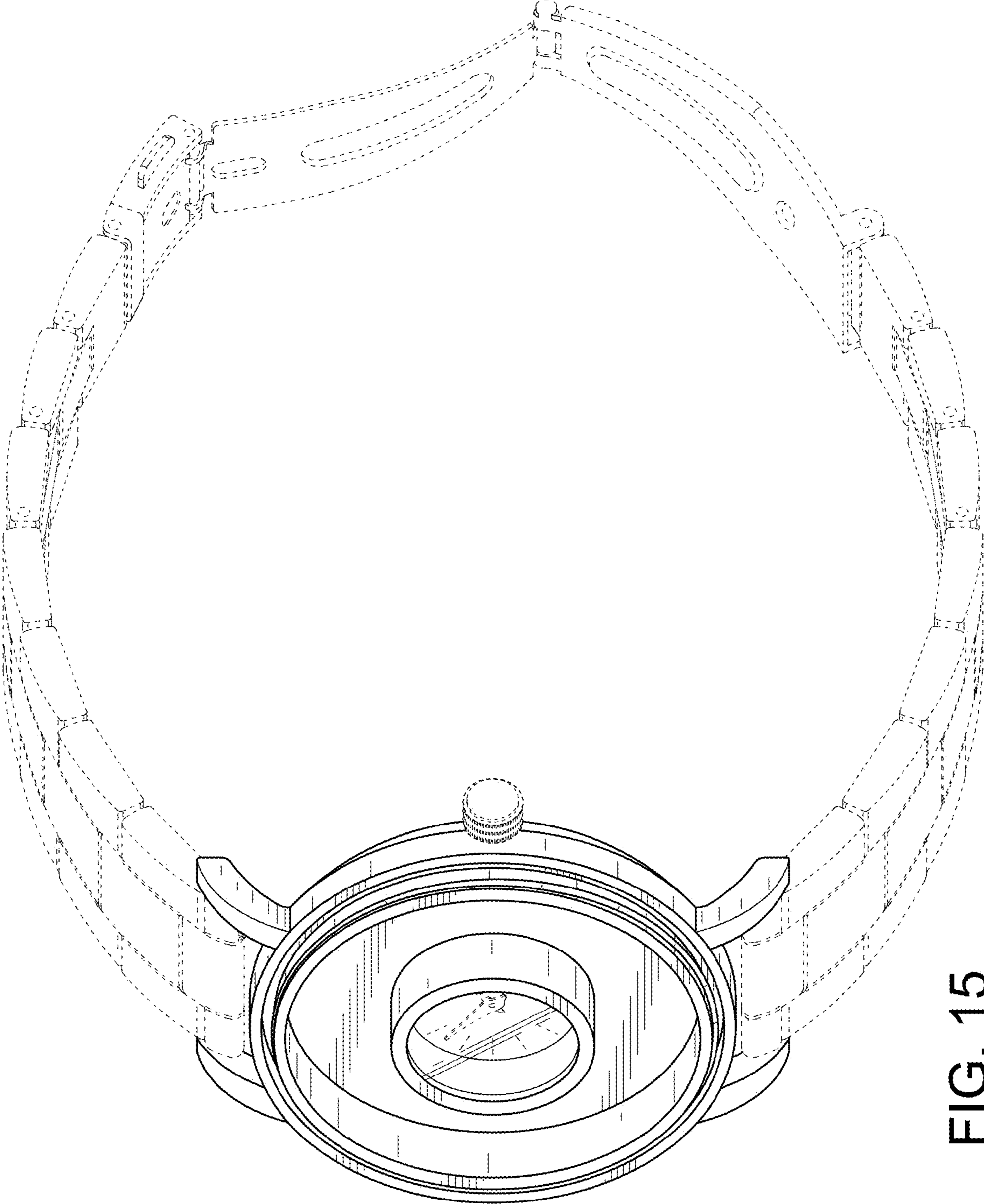


FIG. 15

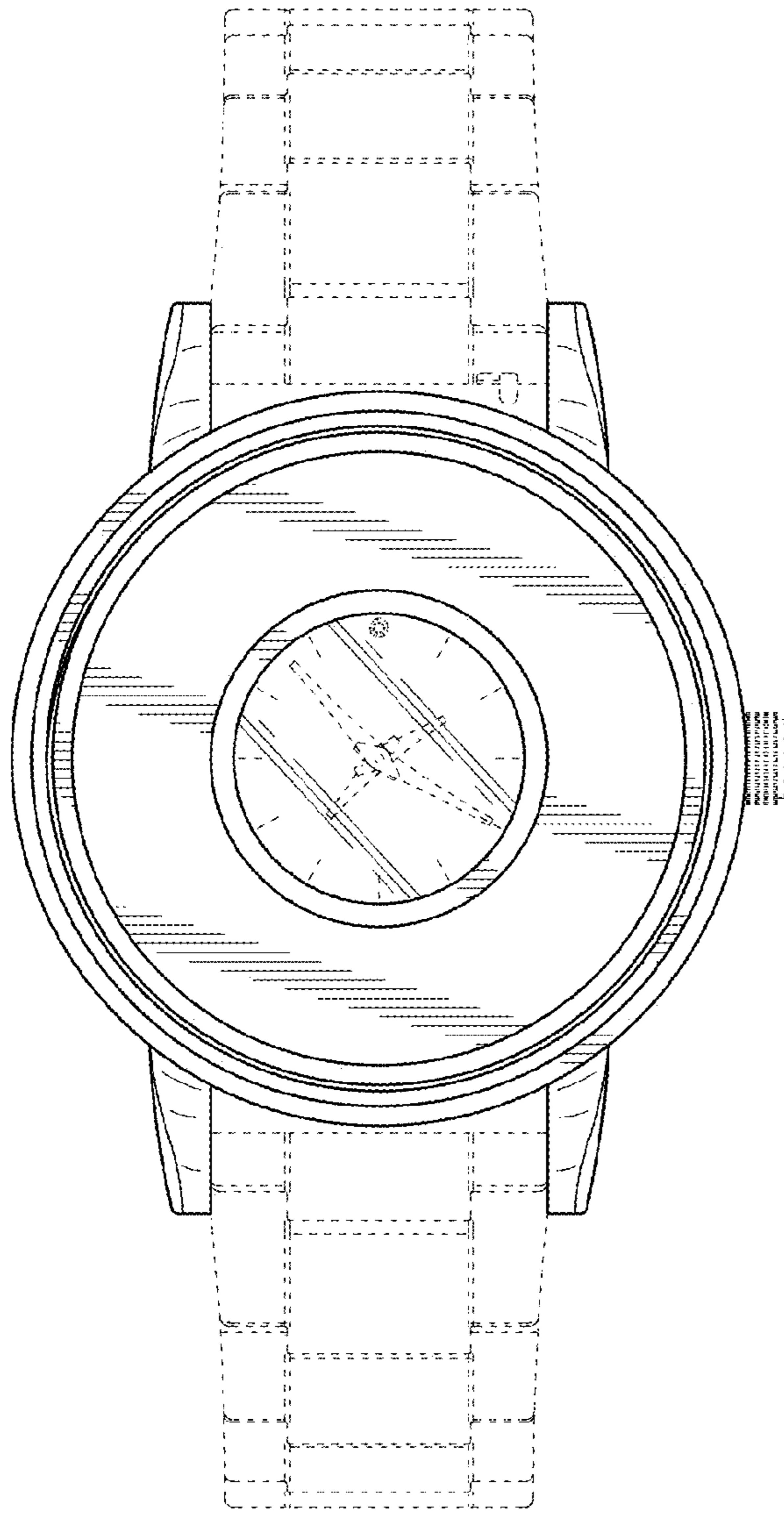


FIG. 16

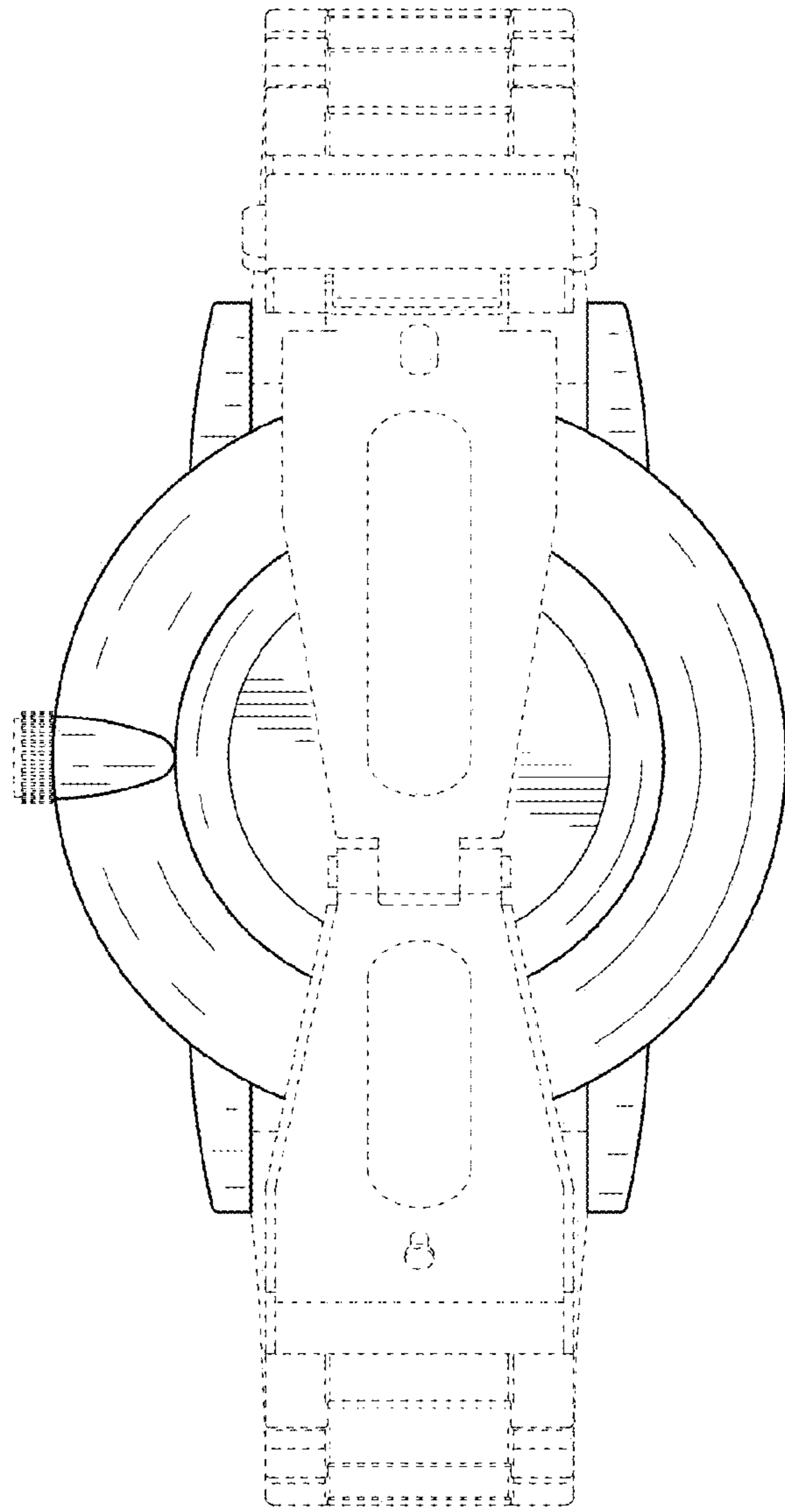


FIG. 17

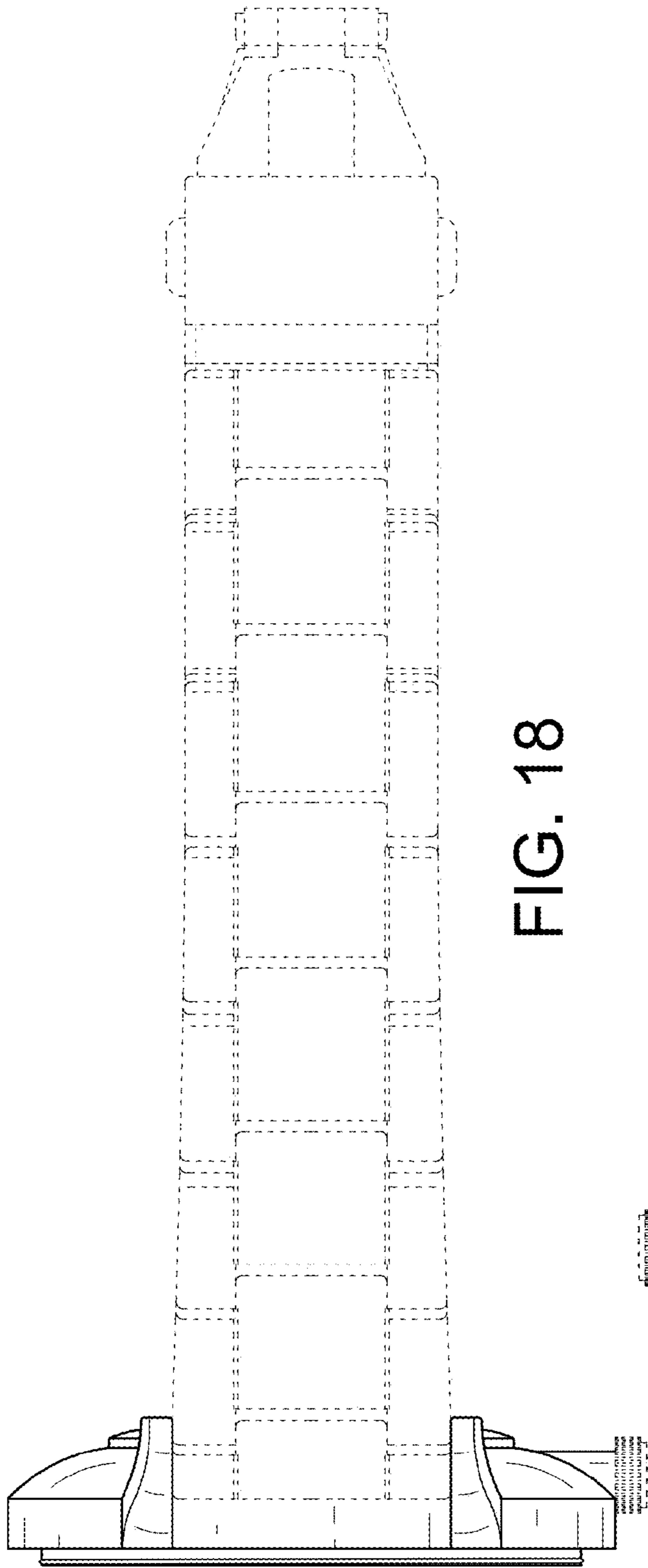


FIG. 18

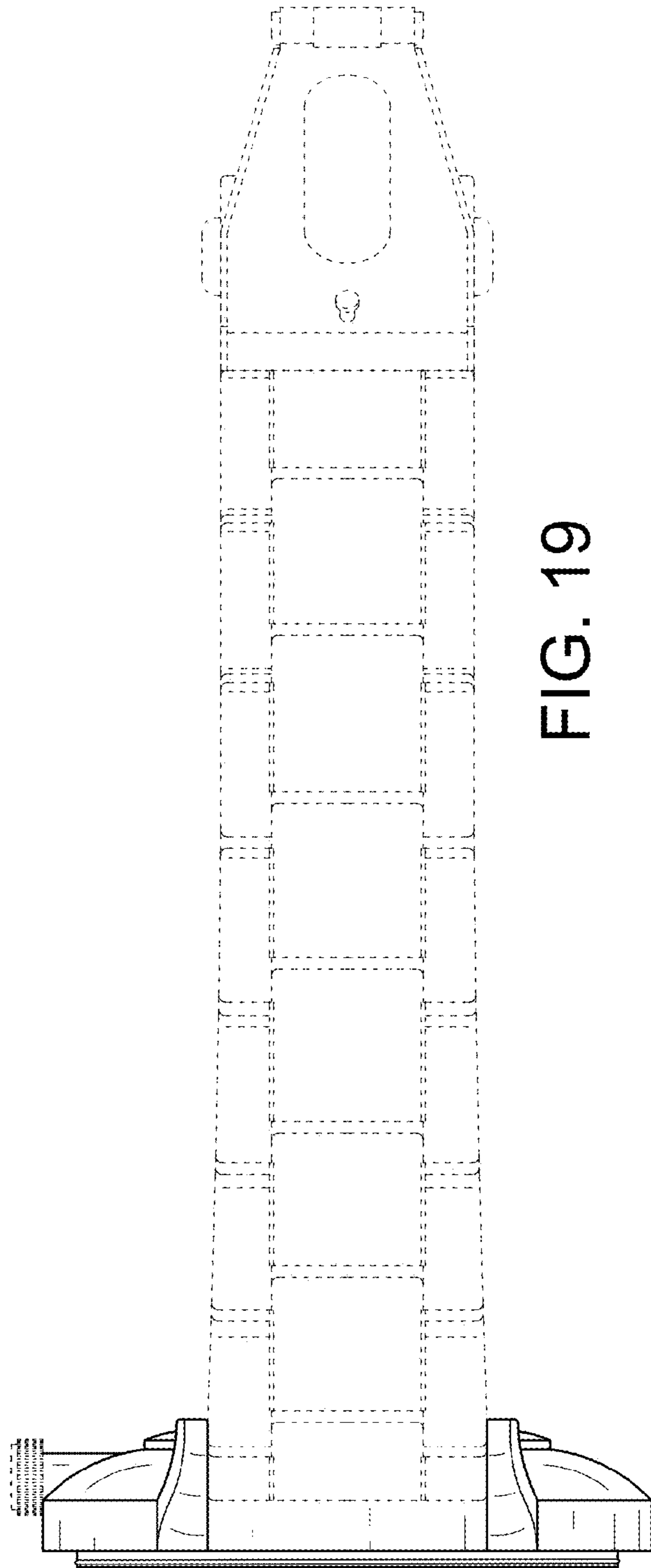


FIG. 19

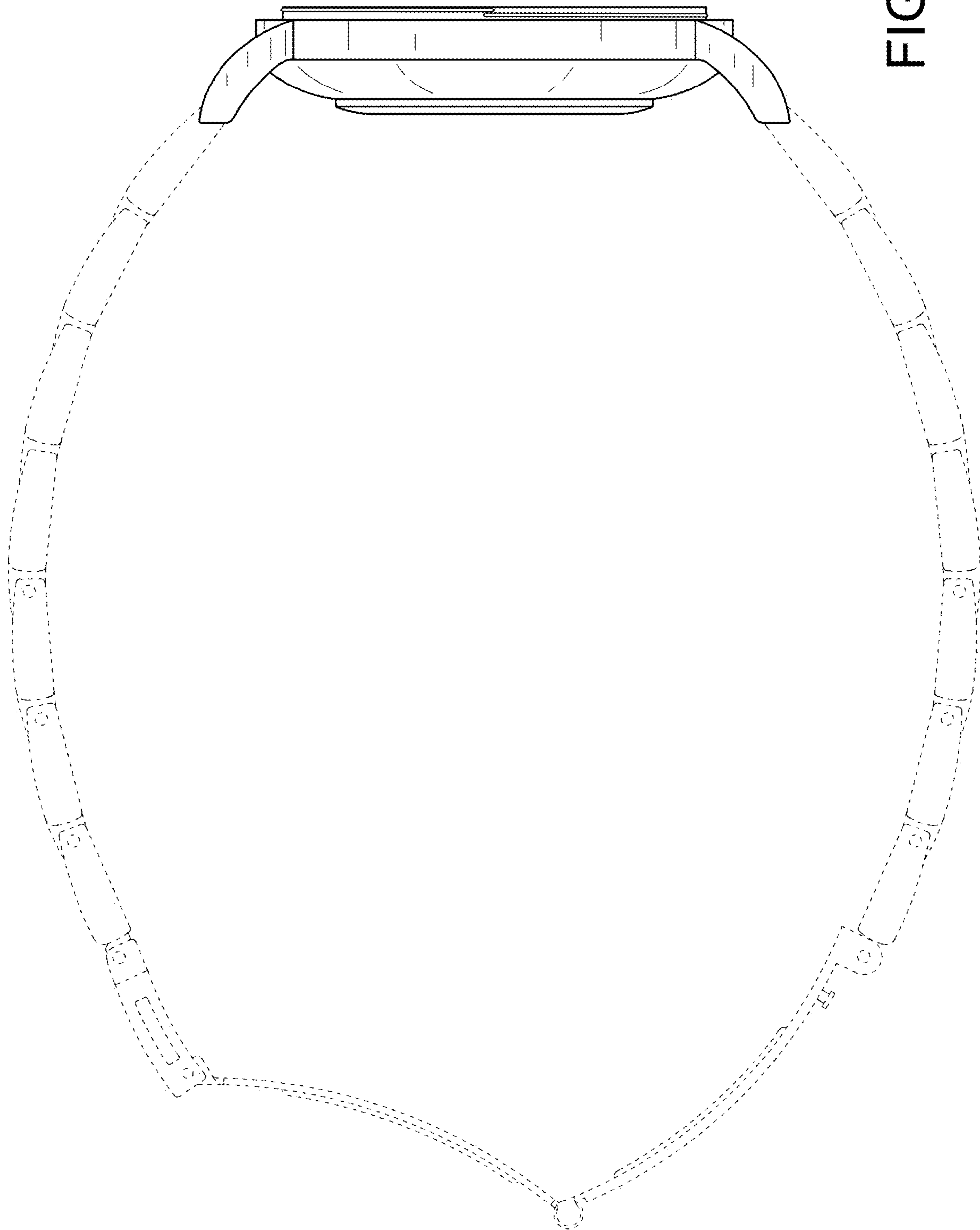


FIG. 20

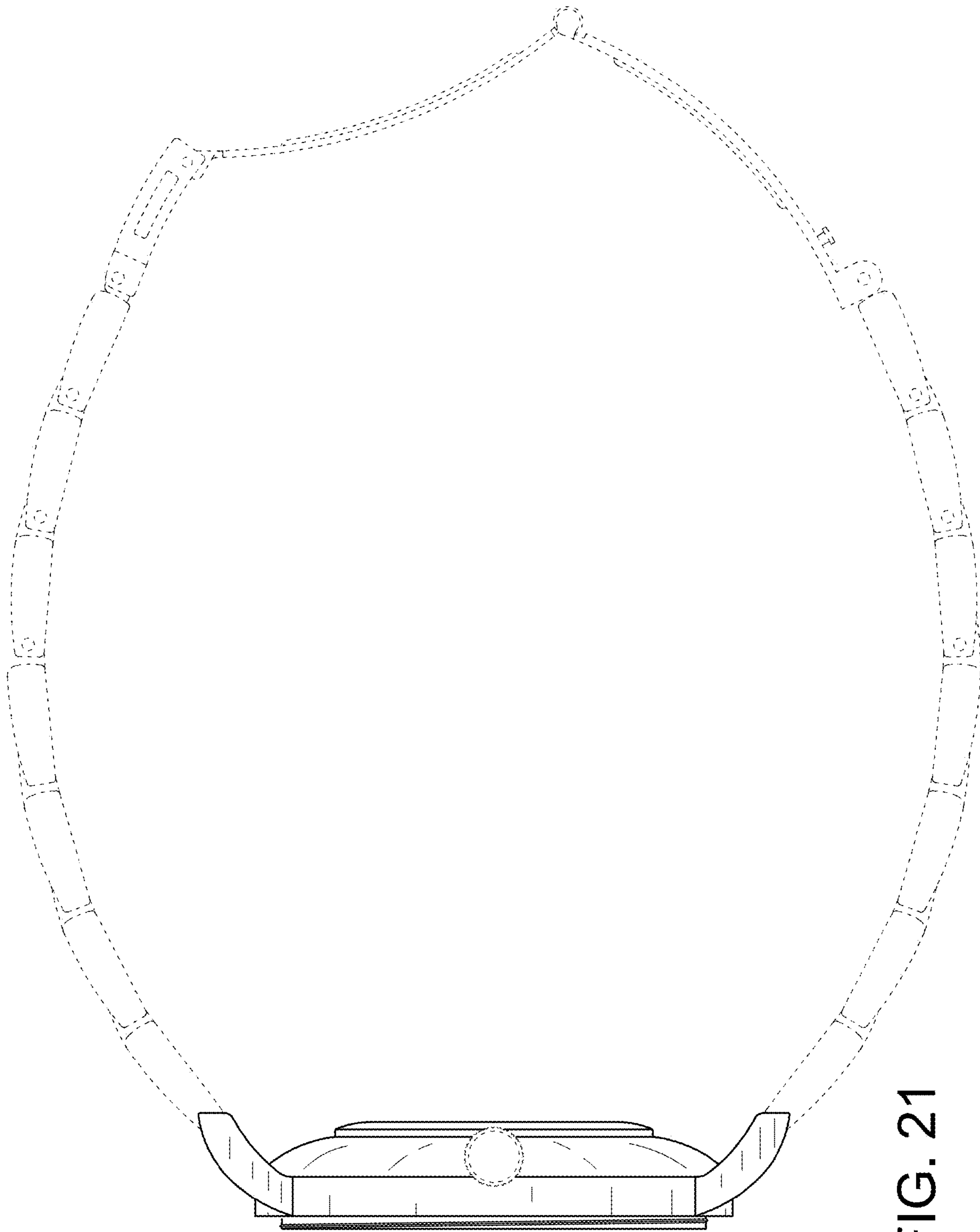


FIG. 21

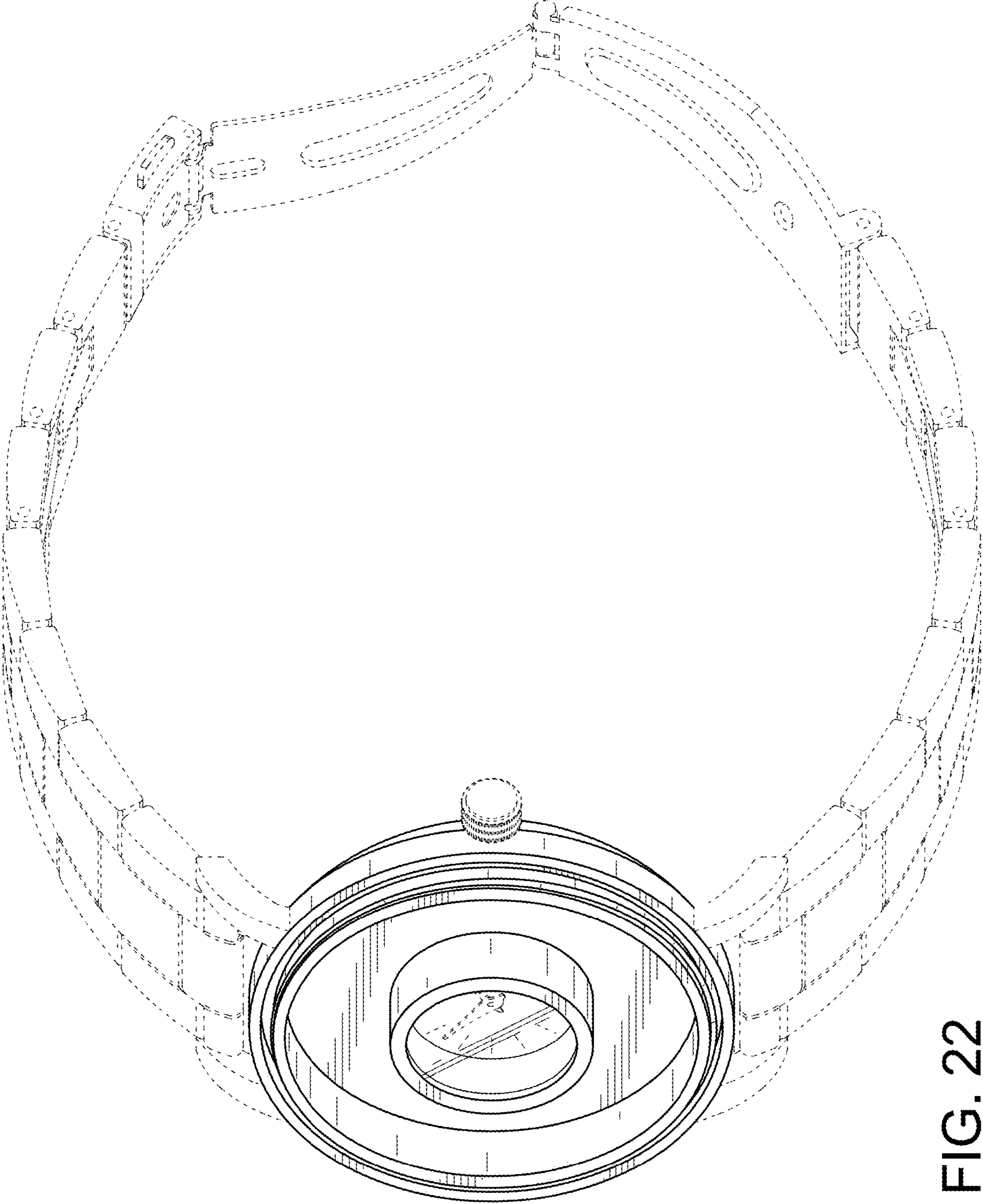


FIG. 22

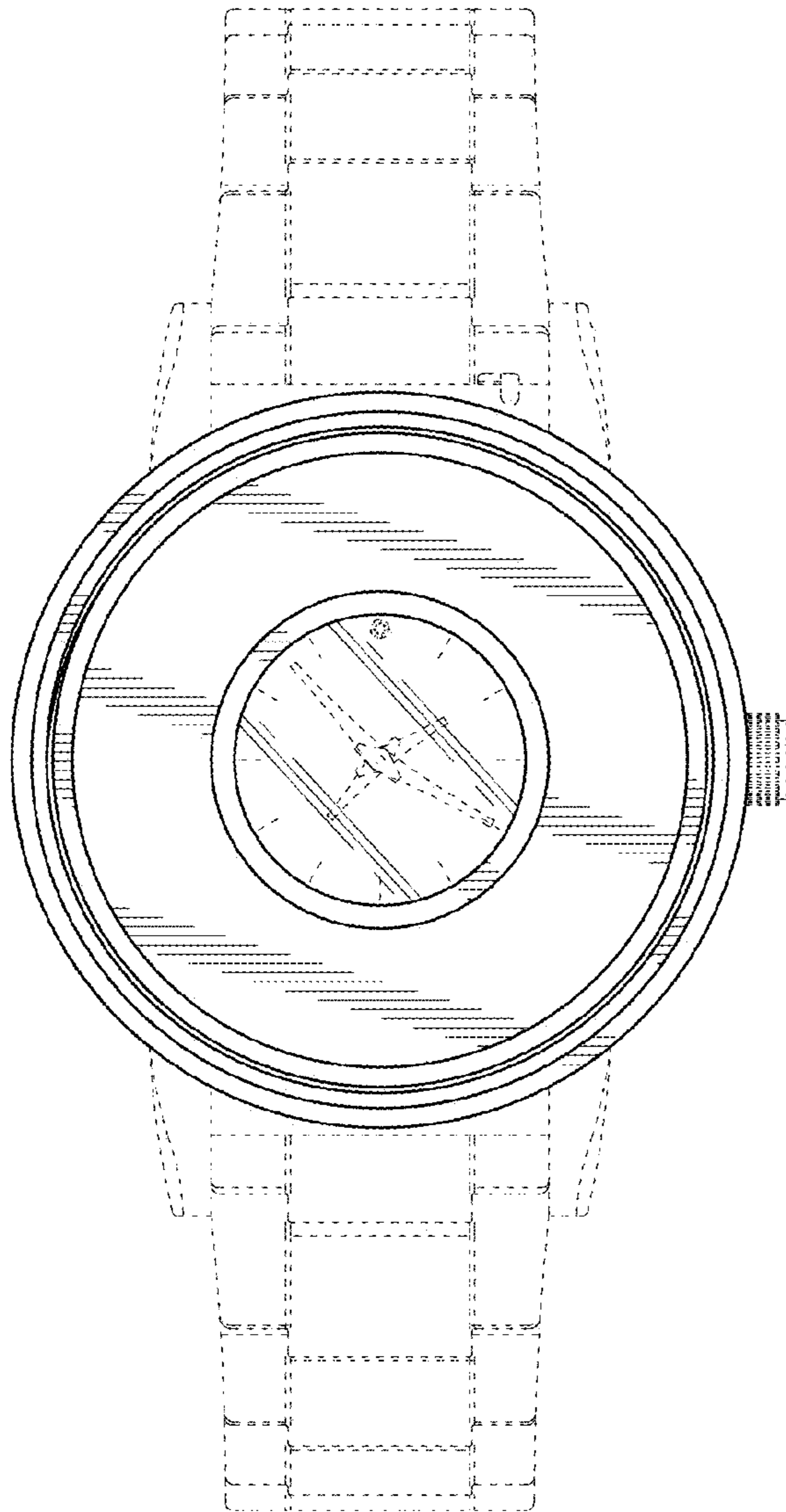


FIG. 23

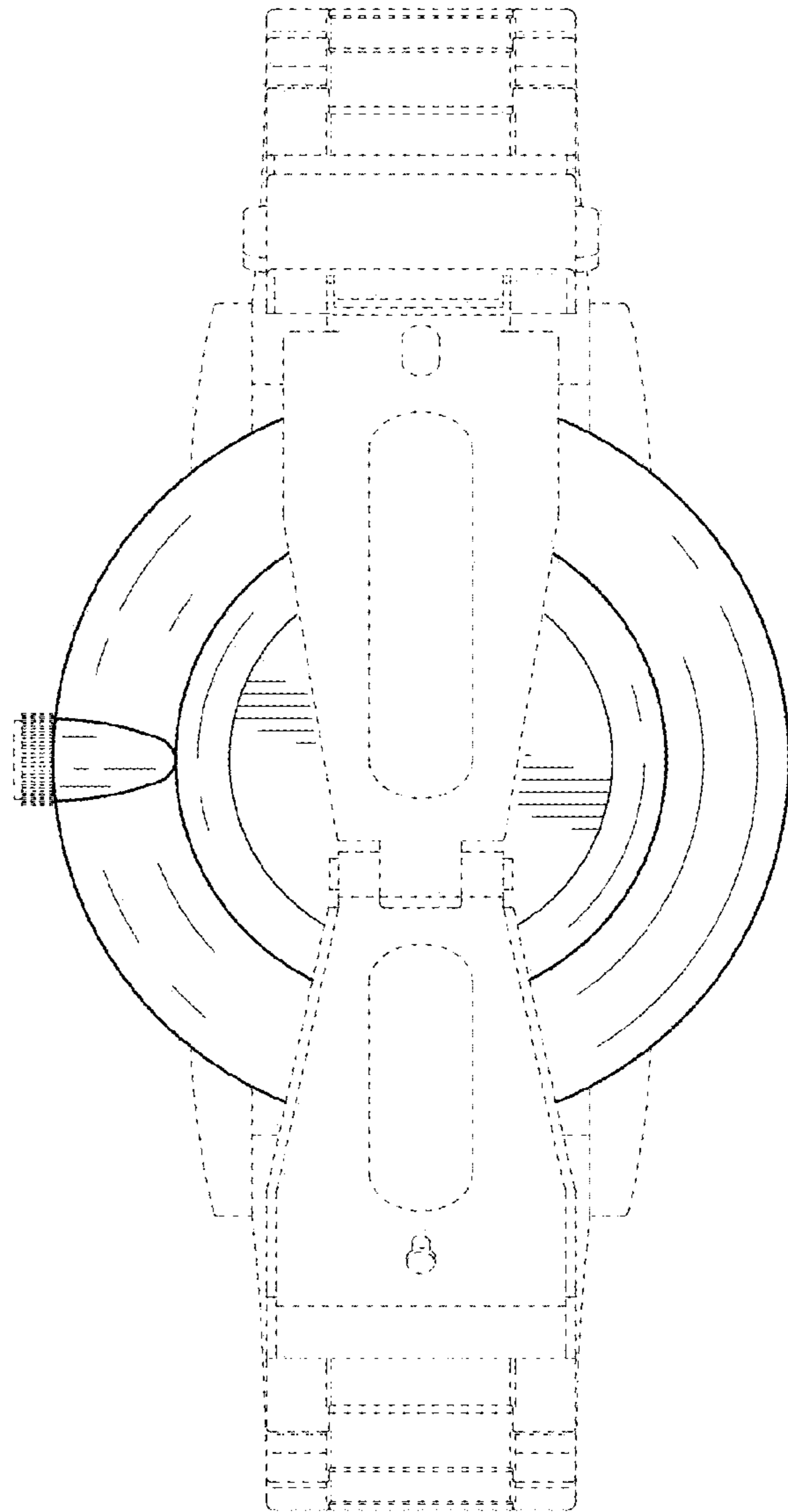


FIG. 24

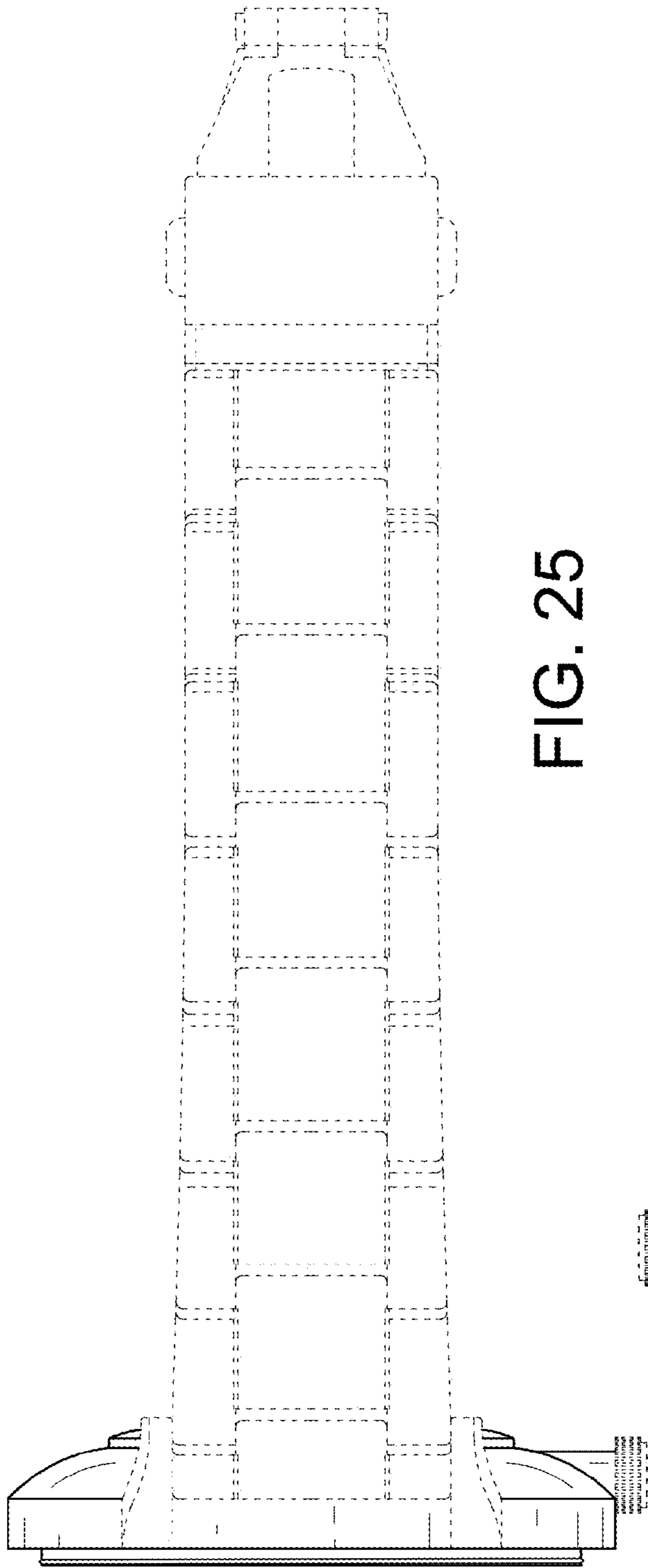


FIG. 25

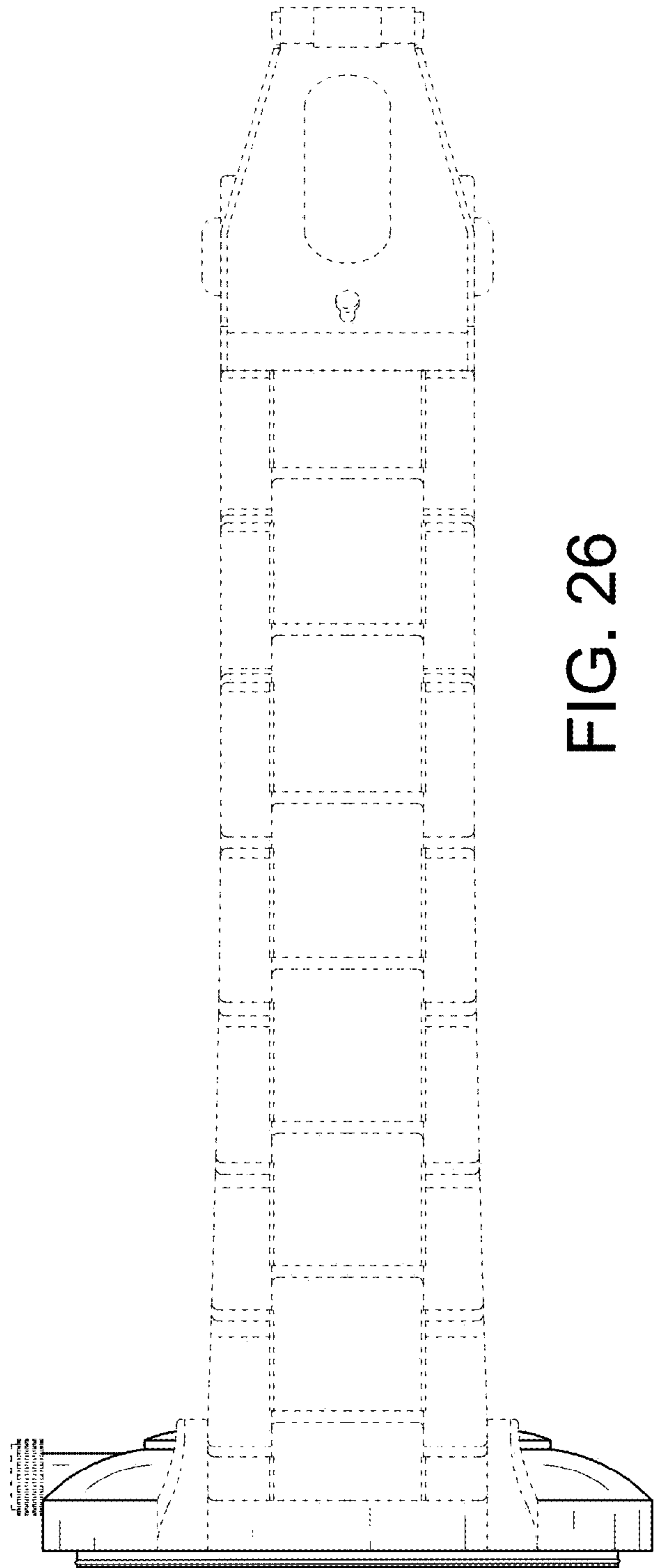


FIG. 26

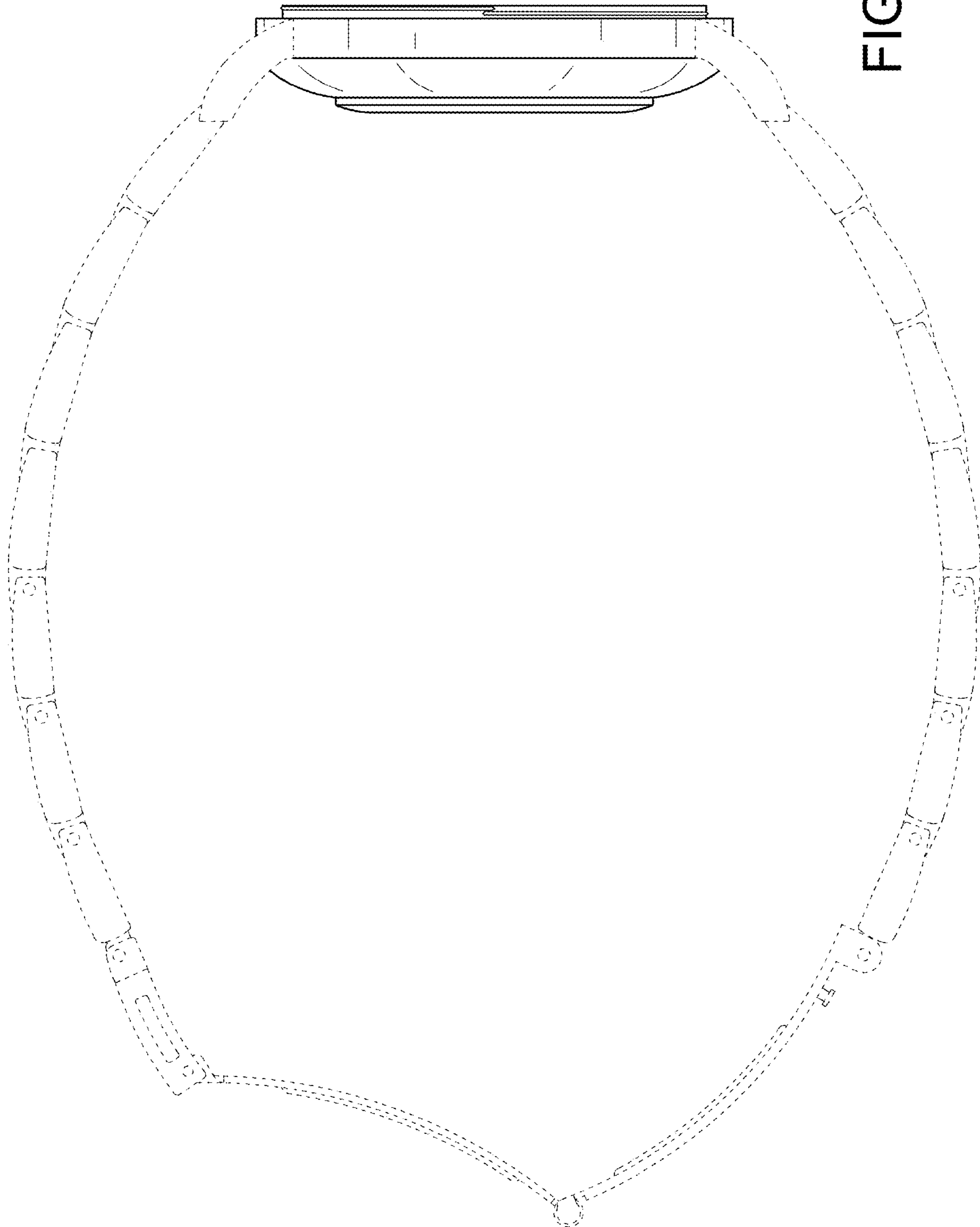


FIG. 27

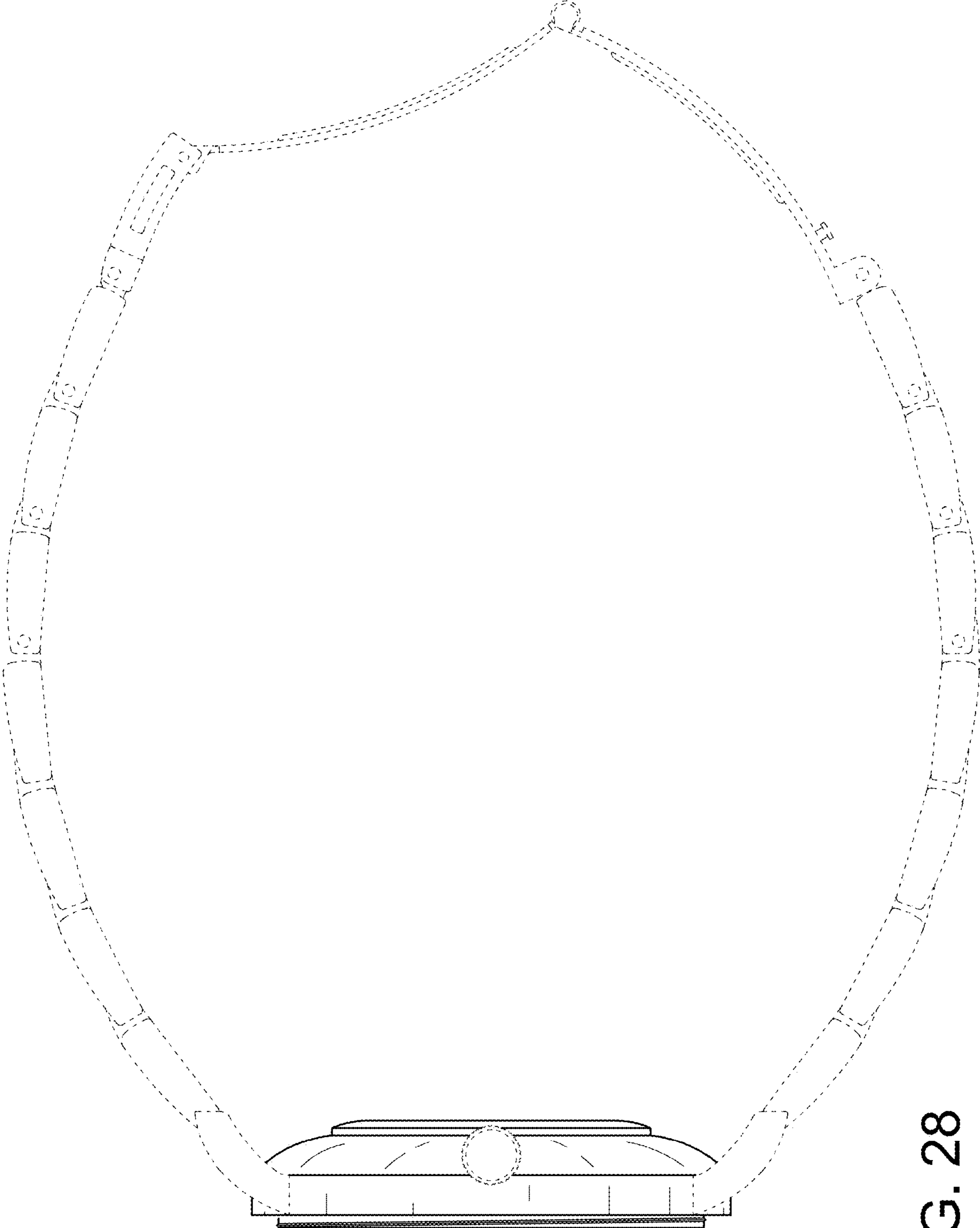


FIG. 28