

US00D87555S

(12) **United States Design Patent**
Komulainen

(10) **Patent No.:** **US D875,555 S**

(45) **Date of Patent:** **** Feb. 18, 2020**

(54) **WRISTWATCH WITH MONITOR FUNCTION FOR BODY STATE**

(71) Applicant: **Polar Electro Oy**, Kempele (FI)

(72) Inventor: **Olli Komulainen**, Oulu (FI)

(73) Assignee: **Polar Electro Oy**, Kempele (FI)

(**) Term: **15 Years**

(21) Appl. No.: **29/665,769**

(22) Filed: **Oct. 5, 2018**

(30) **Foreign Application Priority Data**

Apr. 18, 2018 (EM) 005239357-0001

(51) **LOC (12) Cl.** **10-04**

(52) **U.S. Cl.**
USPC **D10/32; D10/30; D10/38; D10/70; D10/97; D10/98; D11/3; D14/344; D24/186**

(58) **Field of Classification Search**
USPC D10/30-39, 65, 70, 78, 97, 98; D14/138 R, 203.5, 203.6, 341, 344; D24/167, 186; D11/3
CPC G04B 19/00-19/34; G04B 21/12; G04B 23/12; G04B 37/00-37/228; G04B 47/00-47/068; G04B 45/0069; G04B 47/04; G04B 47/065; G04B 47/066; G01C 17/00; G01C 21/00-21/3697; G01C 22/00-22/025; G01C 23/00-23/005; G01C 21/16; G06F 19/3481; G06F 3/00-3/027; G06F 1/163; G01P 1/00-1/26; G01P 15/00-15/18; A63B 24/00-2024/0096; A63B 2213/00; A63B 69/0028; A63B 2071/0658-2071/0666; A63B 2220/00-2220/89; A63B 2225/02; A63C 11/02; A61B 5/681; A61B 5/6824; A61B 5/6825; A61B 5/6826; A61B 5/0537; A61B 5/4872; A61B 5/6831; A61B

5/4869; A61B 5/0858; A61B 5/1075; A61B 5/107; A61B 5/4875; A61B 5/4878; A61B 5/4881; A61B 5/61-5/6898; G04G 21/00; G04G 21/02; G04G 21/08; A44C 5/00-5/16; G04R 20/02; G04C 10/00; G04C 10/02; G08B 21/0269; G08B 21/0272; G08B 21/0286; G08B 21/0288; G08B 21/0291; G08B 21/04-21/2454; G01S 19/00-19/55; G01S 9/0064; G01S 9/0005

See application file for complete search history.

(56) **References Cited**

U.S. PATENT DOCUMENTS

D726,675 S * 4/2015 Choi D10/38
D741,206 S * 10/2015 Lim D10/38
D746,815 S * 1/2016 Lim D10/38

(Continued)

Primary Examiner — Antoine Duval Davis

(74) *Attorney, Agent, or Firm* — FisherBroyles, LLP

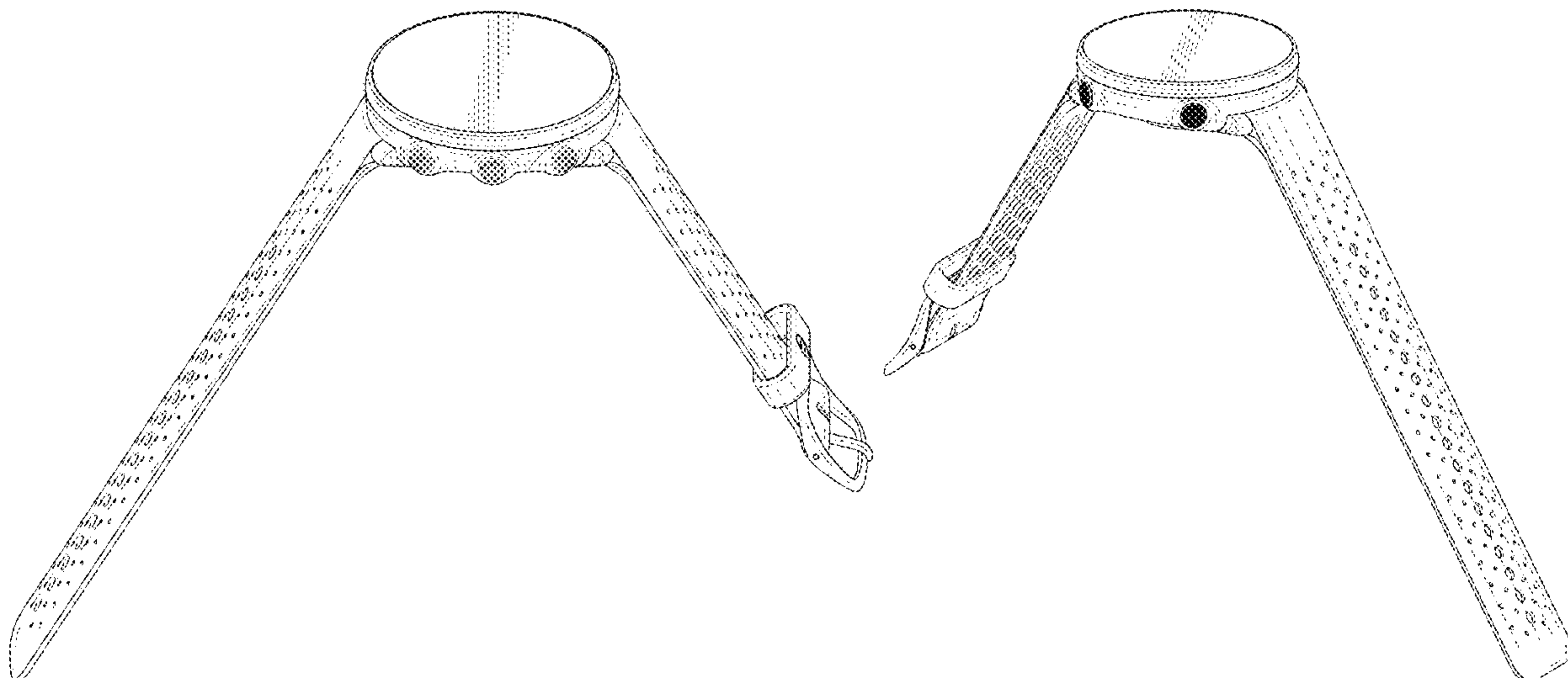
(57) **CLAIM**

The ornamental design for a wristwatch with monitor function for body state, as shown and described.

DESCRIPTION

FIG. 1 is a first top perspective view of the wristwatch; FIG. 2 is a first side view of the wristwatch; FIG. 3 is a first end view of the wristwatch; FIG. 4 is a second top perspective view of the wristwatch; FIG. 5 is a second side view of the wristwatch; FIG. 6 is a bottom view of the wristwatch; FIG. 7 is a second end view of the wristwatch; FIG. 8 is a top view of the wristwatch; FIG. 9 is a first side perspective view of the wristwatch; and, FIG. 10 is a second side perspective view of the wristwatch.

1 Claim, 10 Drawing Sheets



(56)

References Cited

U.S. PATENT DOCUMENTS

D759,507 S * 6/2016 Bonadei D10/38
D773,458 S * 12/2016 Park D10/39
D795,708 S * 8/2017 Monachon D10/30
D820,116 S * 6/2018 Monachon G04G 17/045
D10/38
2016/0379604 A1* 12/2016 Komulainen G04G 17/045
345/658

* cited by examiner

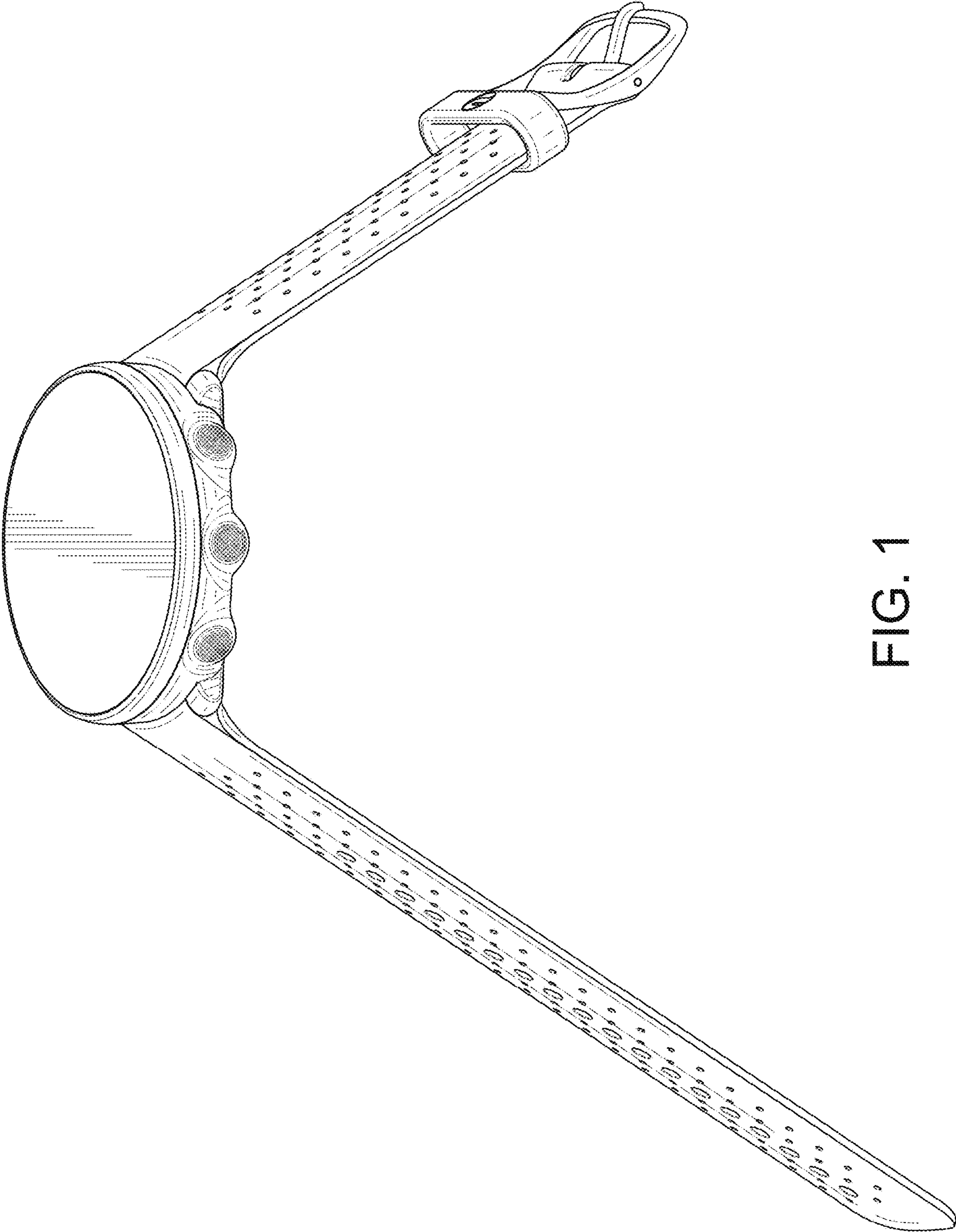


FIG. 1

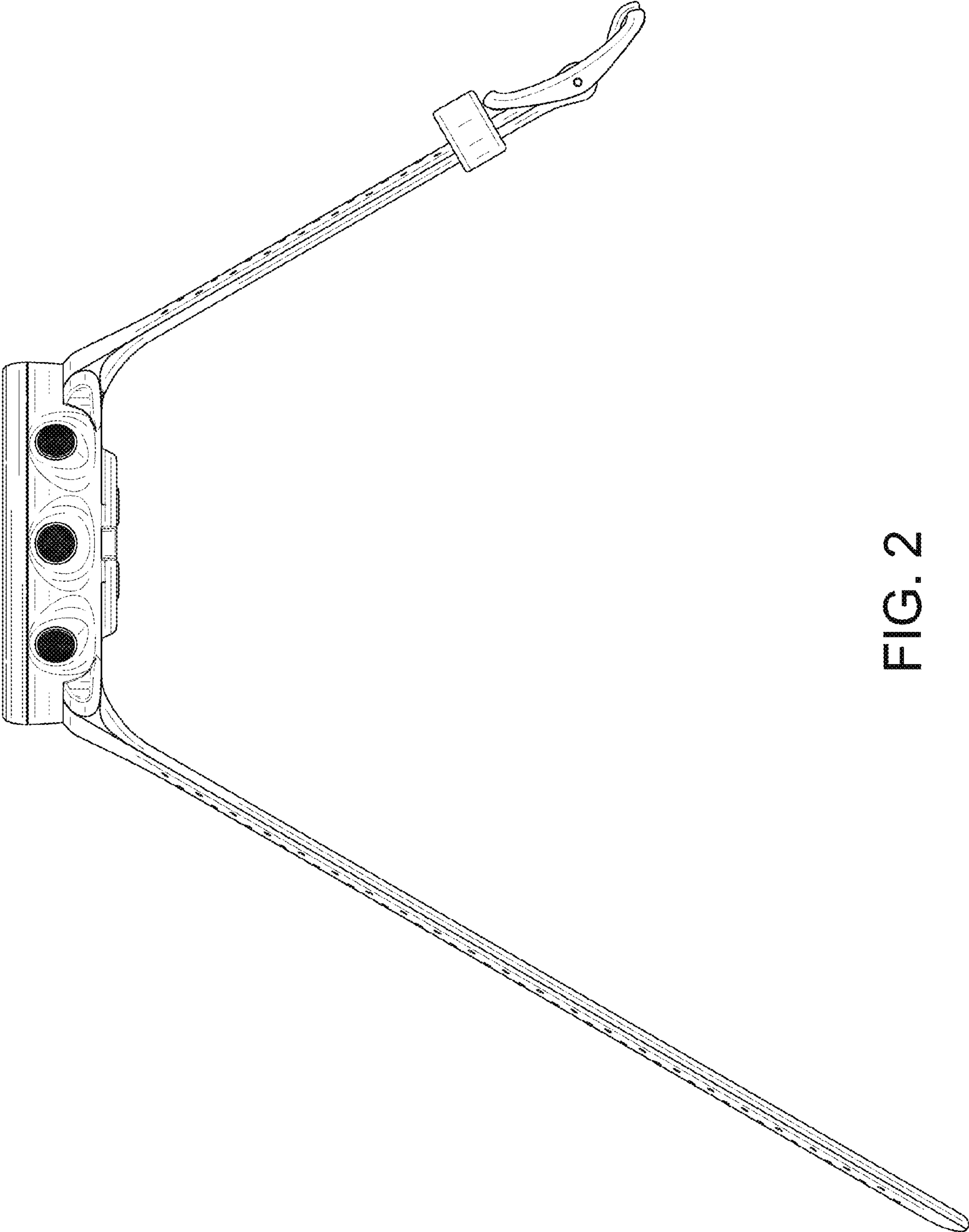


FIG. 2

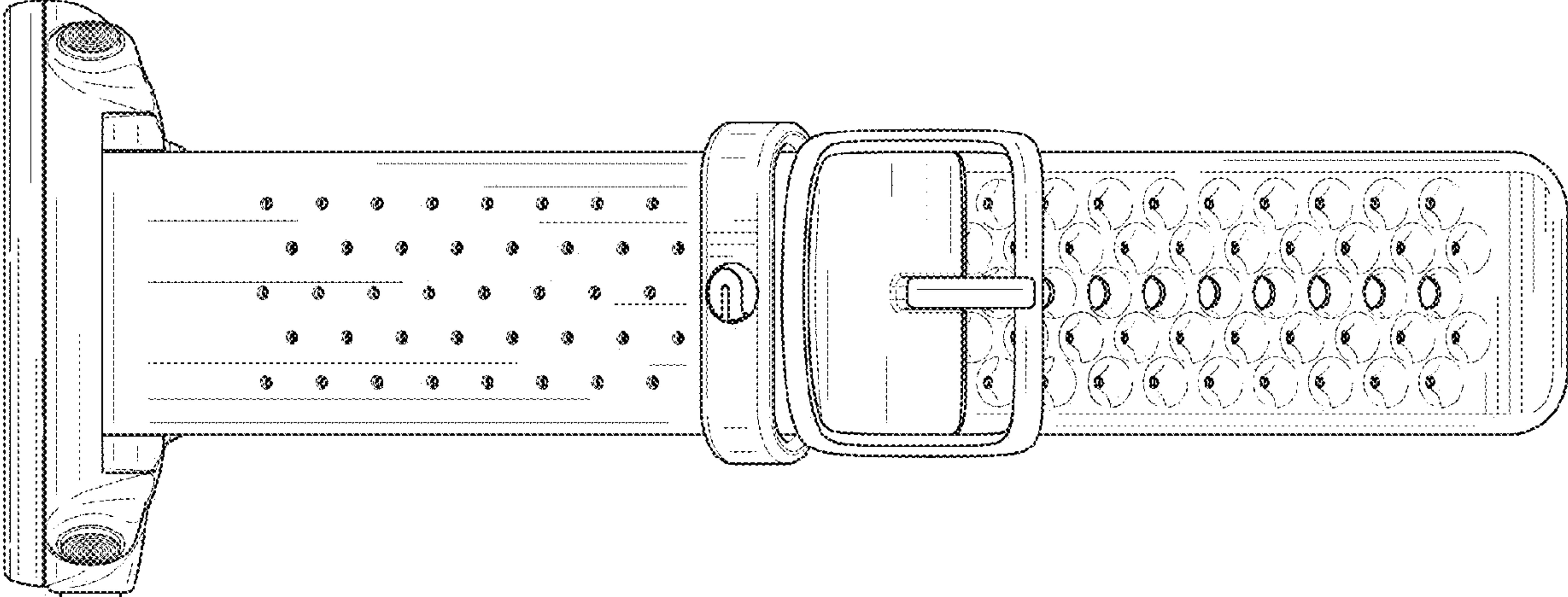


FIG. 3

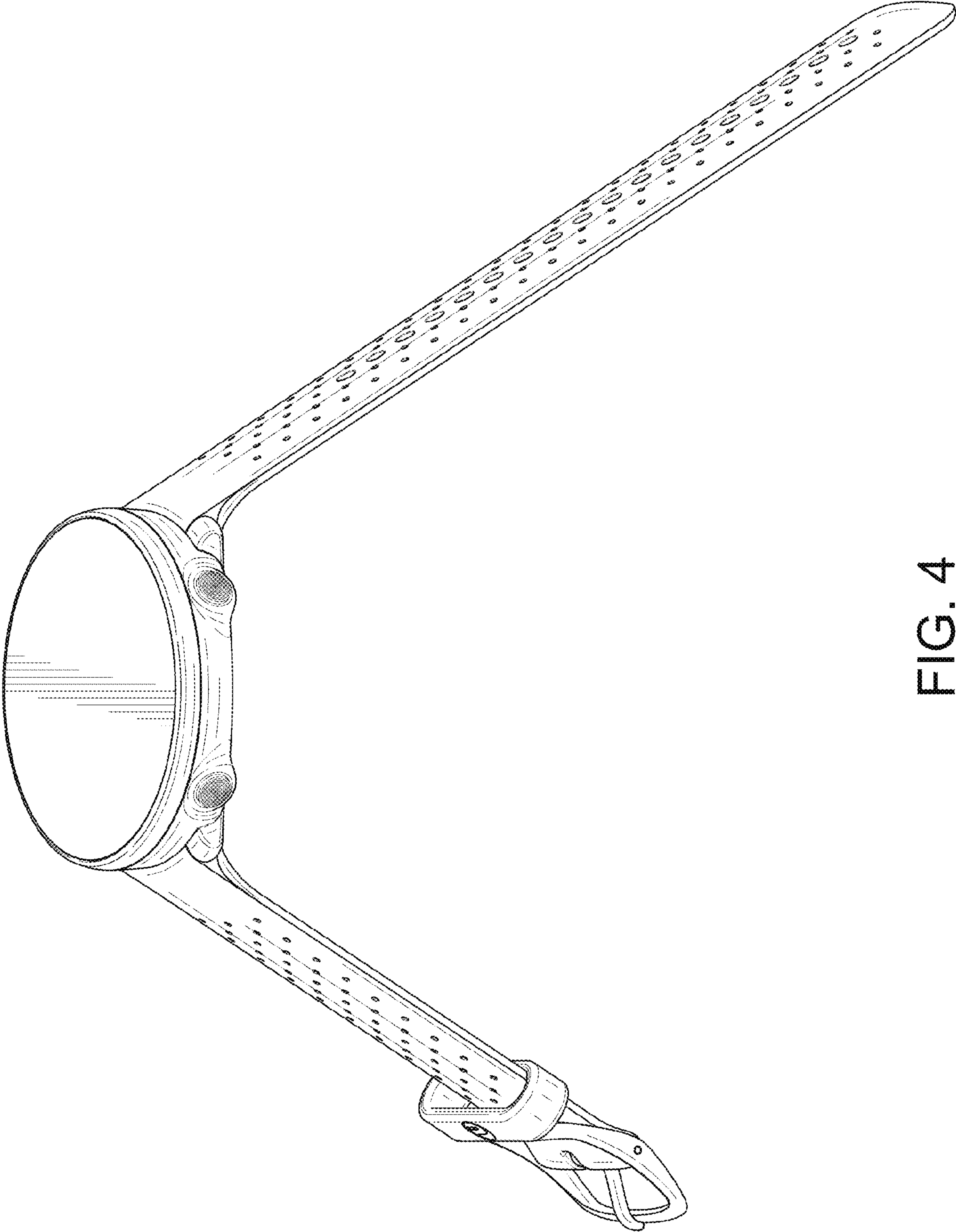


FIG. 4

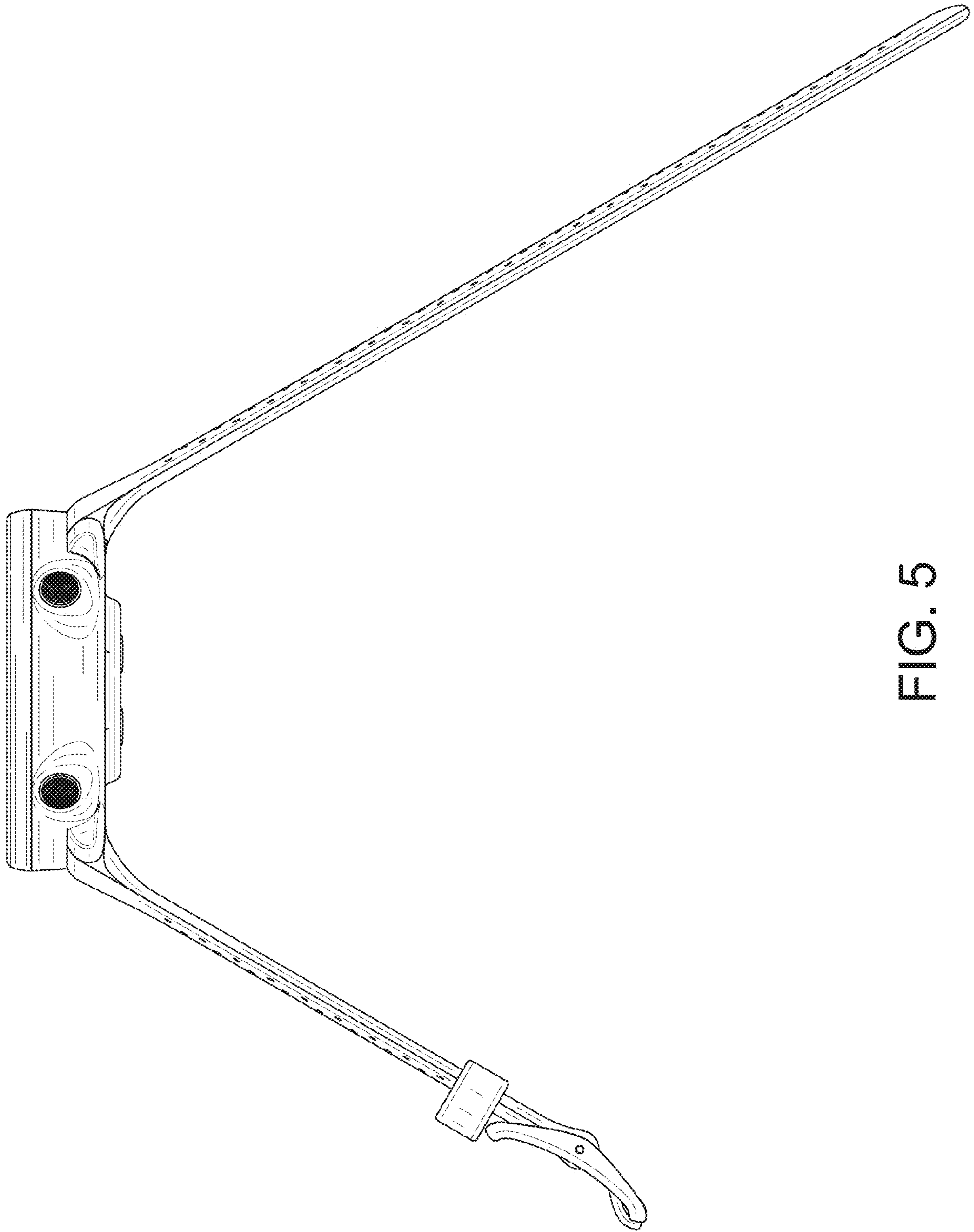


FIG. 5

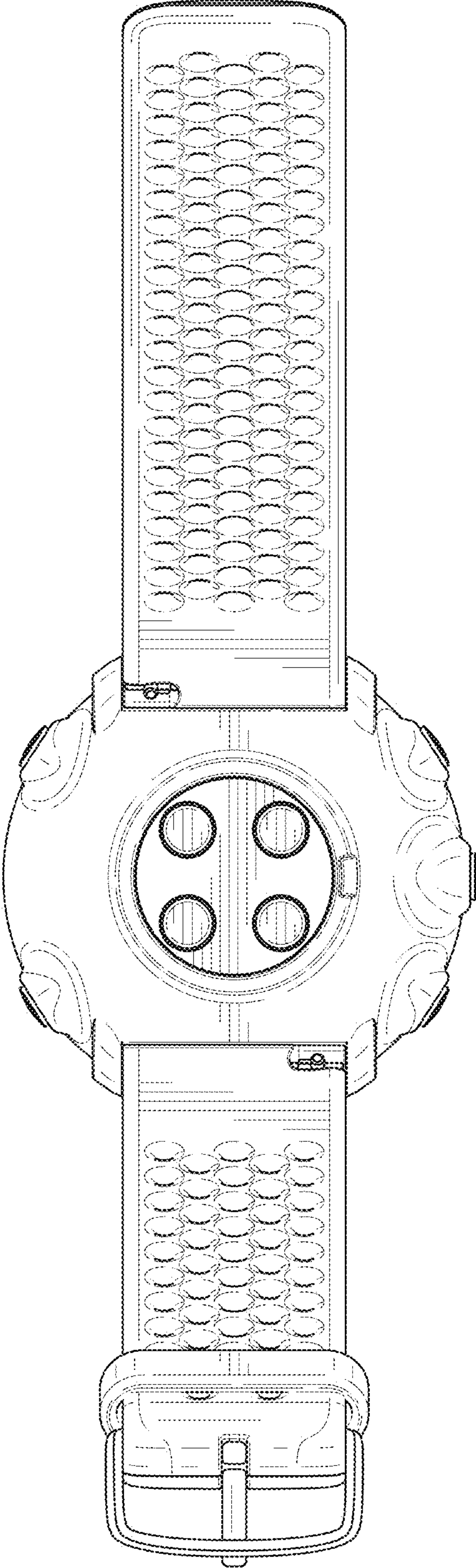


FIG. 6

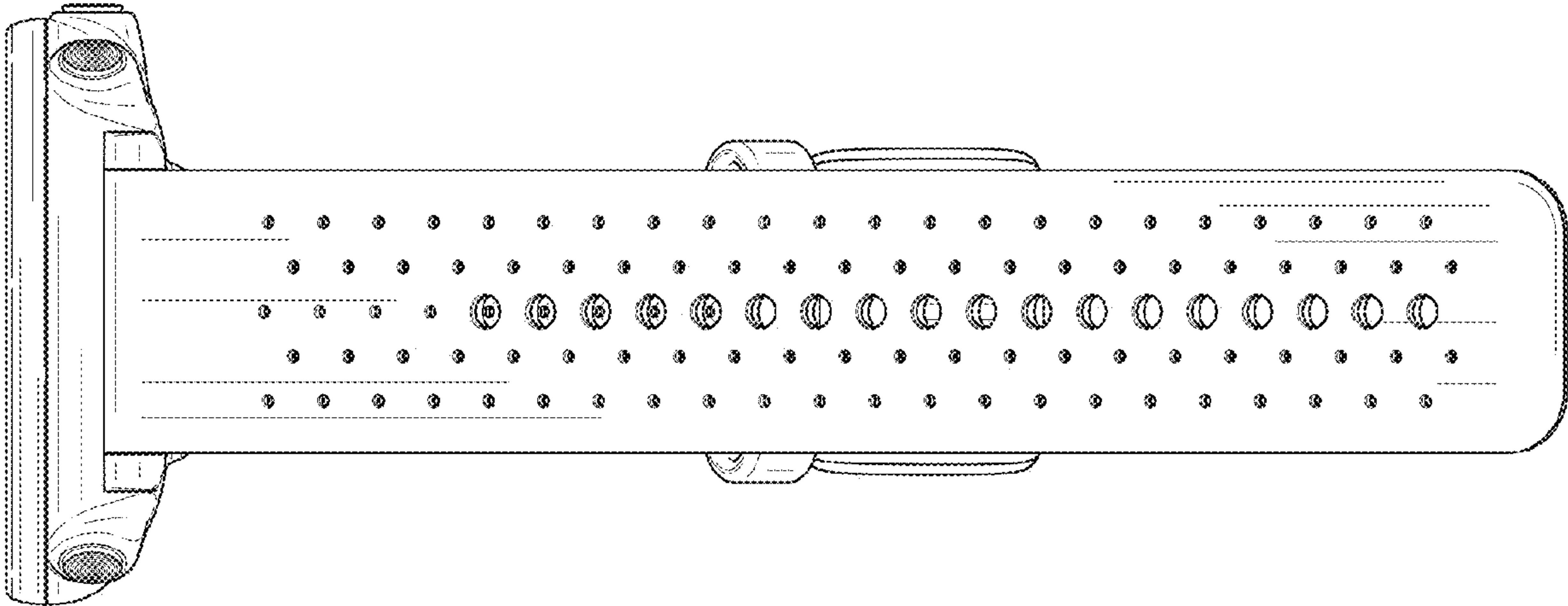


FIG. 7

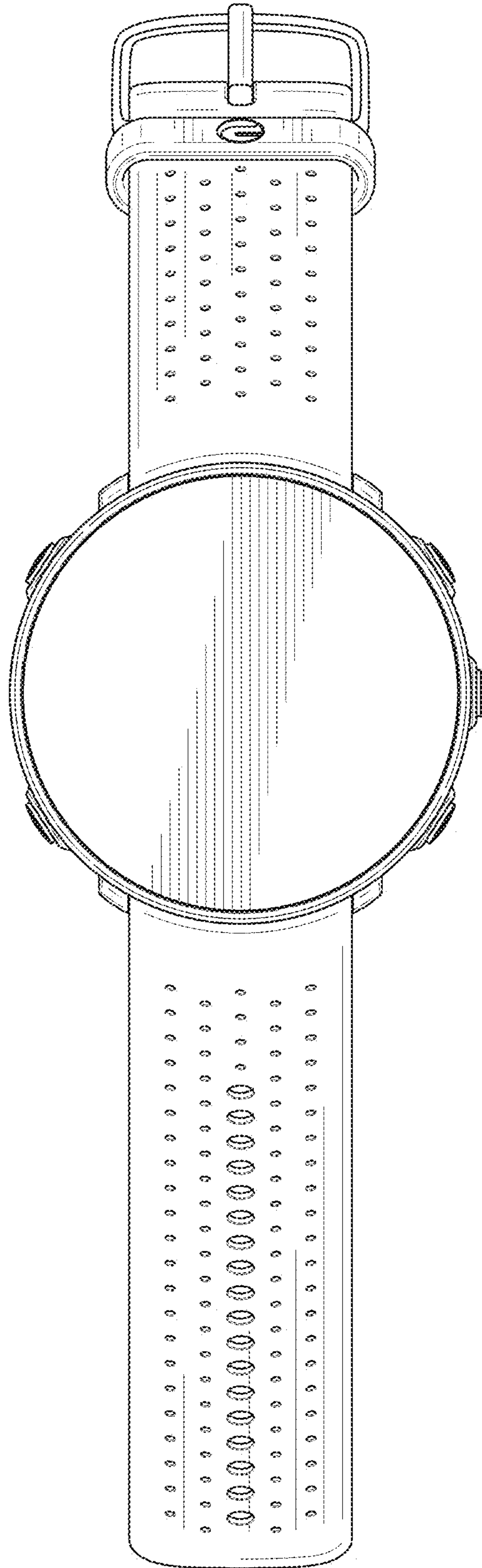


FIG. 8

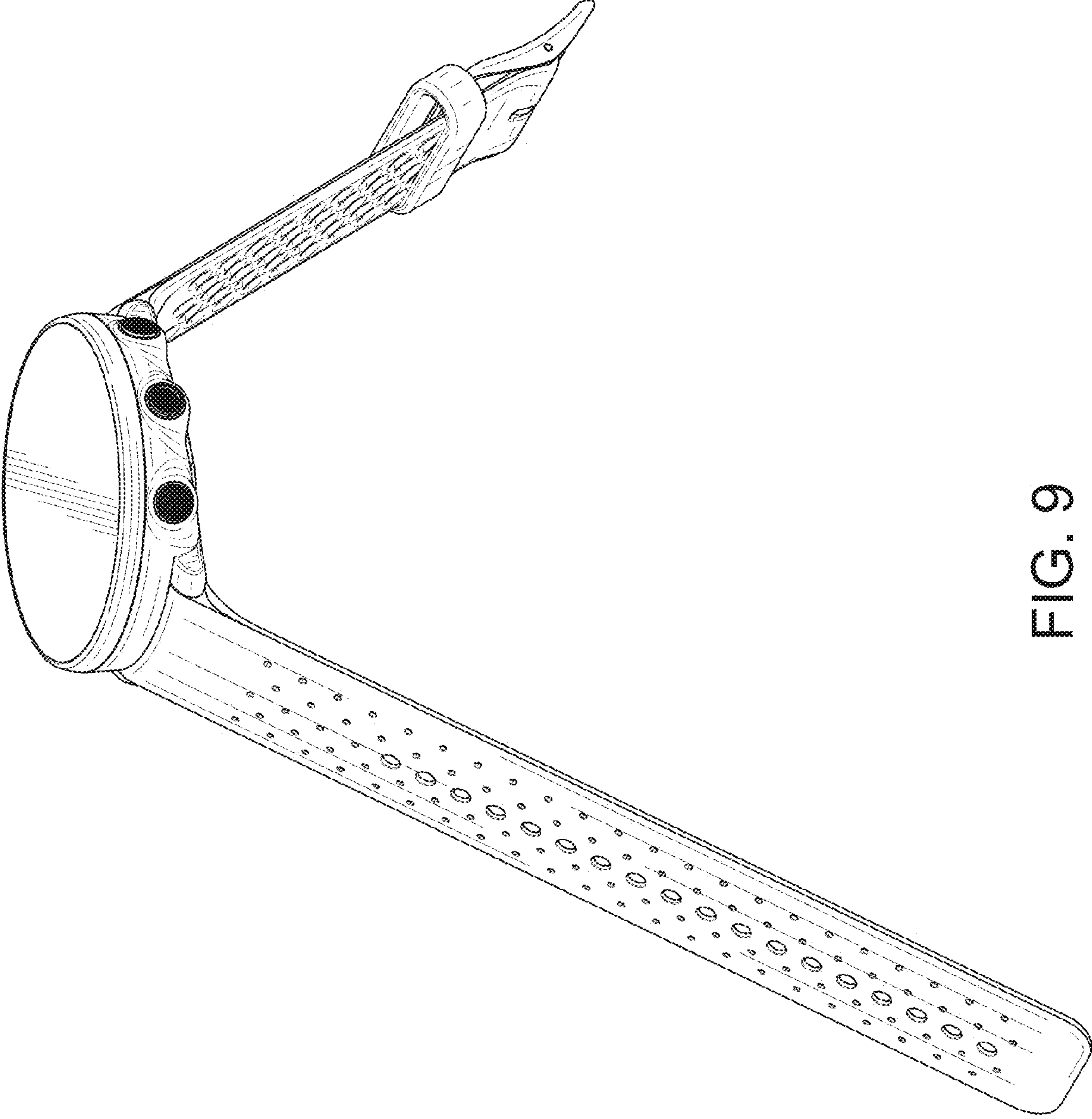


FIG. 9

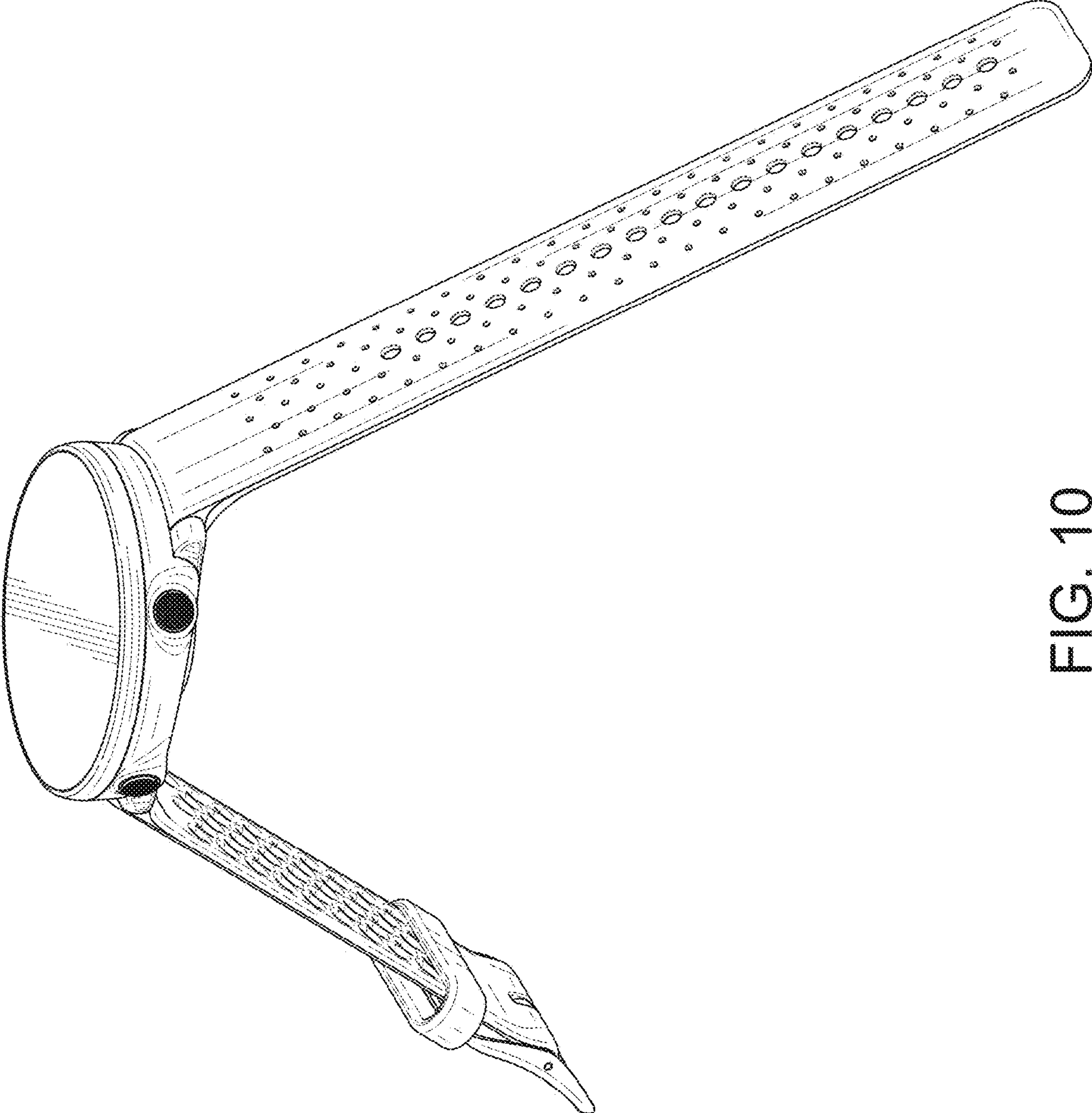


FIG. 10