



US00D87553S

(12) **United States Design Patent** (10) **Patent No.:** **US D875,553 S**
Yu (45) **Date of Patent:** **** Feb. 18, 2020**

(54) **PROJECTION CLOCK**
(71) Applicant: **FUZHOU ESUN ELECTRONIC CO., LTD**, Fuzhou, Fujian Prov. (CN)
(72) Inventor: **Guo Yu**, Fuzhou (CN)
(73) Assignee: **FUZHOU ESUN ELECTRONIC CO., LTD**, Fuzhou (CN)

D552,357 S * 10/2007 Fu D10/2
7,925,310 B2 * 4/2011 Chiu G06F 1/1616
455/575.1
D697,497 S * 1/2014 Lai D14/218
D707,223 S * 6/2014 Akana D14/341
D737,237 S * 8/2015 Yang D14/138 AA
D769,133 S * 10/2016 Bryant D10/24
D798,841 S * 10/2017 Park D14/218
D836,005 S * 12/2018 Lu D10/2

(**) Term: **15 Years**
(21) Appl. No.: **29/666,962**
(22) Filed: **Oct. 17, 2018**

FOREIGN PATENT DOCUMENTS

CN 201730602440 * 11/2017

(30) **Foreign Application Priority Data**
Sep. 25, 2018 (CN) 2018 3 0537745
(51) **LOC (12) Cl.** **10-01**
(52) **U.S. Cl.**
USPC **D10/2; D10/15; D14/171**
(58) **Field of Classification Search**
USPC D10/1, 2, 5, 14, 15, 18, 17, 20, 21, 22,
D10/24, 48; D26/54, 51; D14/137, 155,
D14/188, 189, 265, 171, 197, 218, 138 R,
D14/138 AA; D20/20, 21
CPC .. G04G 5/00; G04G 5/02; G04G 5/04; G04G
9/00; G04G 9/0005; G04G 9/0017; G04G
9/0023; G04G 13/00; G04G 13/02; G04G
13/021; G04G 13/023; G04G 13/028
See application file for complete search history.

OTHER PUBLICATIONS

Amazon, PICTEK Projection Alarm Clock, posted Oct. 17, 2017, [online], [visited Nov. 26, 2019]. Internet, <URL: https://www.amazon.co.uk/PICTEK-Projection-Curved-Screen-Projector-Function/dp/B076HKKMJB/ref=olp_product_details?_encoding=UTF8&me=> (Year: 2017).*

(Continued)

Primary Examiner — Sheryl Lane
Assistant Examiner — Samantha N Wood
(74) *Attorney, Agent, or Firm* — Stein IP, LLC

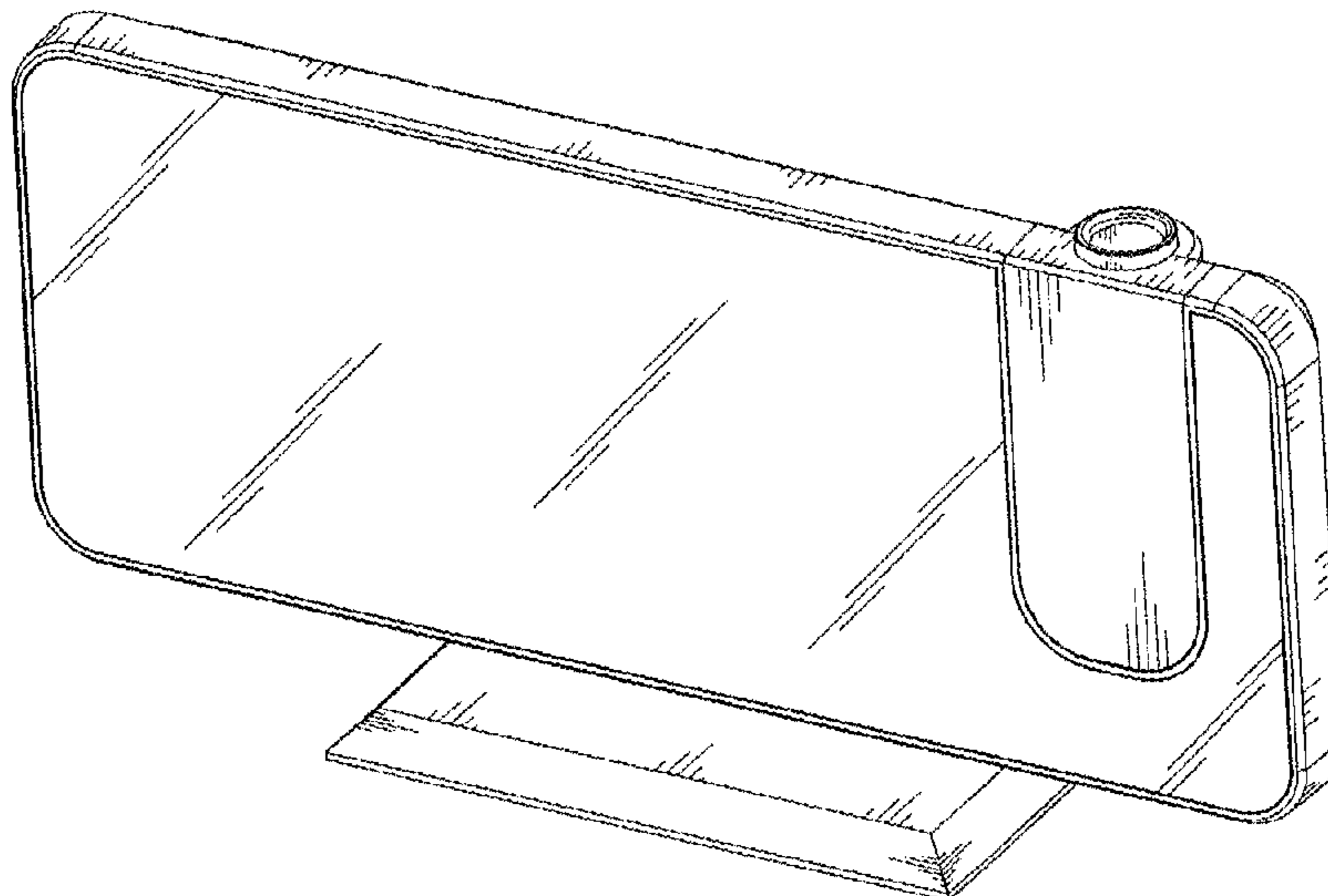
(56) **References Cited**
U.S. PATENT DOCUMENTS
D279,691 S * 7/1985 Silver D20/20
D408,296 S * 4/1999 Hui D10/1
D409,095 S * 5/1999 Alesi D10/1
D459,339 S * 6/2002 Tong D14/197
D481,641 S * 11/2003 Kibiloski D10/15
D534,214 S * 12/2006 Marcy D19/113
D545,694 S * 7/2007 Bhavnani D10/15

(57) **CLAIM**
I claim the ornamental design for a projection clock, as shown and described.

DESCRIPTION

FIG. 1 is a Perspective view of a projection clock;
FIG. 2 is another Perspective view thereof;
FIG. 3 is a Front view thereof;
FIG. 4 is a Rear view thereof;
FIG. 5 is a Left view thereof;
FIG. 6 is a Right view thereof;
FIG. 7 is a Top view; and,
FIG. 8 is a Bottom view thereof.

1 Claim, 8 Drawing Sheets



(56)

References Cited

OTHER PUBLICATIONS

Amazon, Oregon Scientific Projection Alarm Clock, posted May 26, 2014, [online], [visited Nov. 26, 2019]. Internet, <URL: https://www.amazon.co.uk/Oregon-Scientific-Classic-Projection-Alarm/dp/B00KKLQB2U/ref=sr_1_173?keywords=PROJECTION+CLOCK&qid=1574773526&sr=8-173> (Year: 2014).*

Amazon, ThinkGizmos Atomic Projection Clock, posted Jun. 28, 2017, [online], [visited Nov. 26, 2019]. Internet, <URL: https://www.amazon.co.uk/ThinkGizmos-Atomic-Projection-Clock-Temperature/dp/B072KGZ8ZJ/ref=olp_product_details?_encoding=UTF8&me=> (Year: 2017).*

* cited by examiner

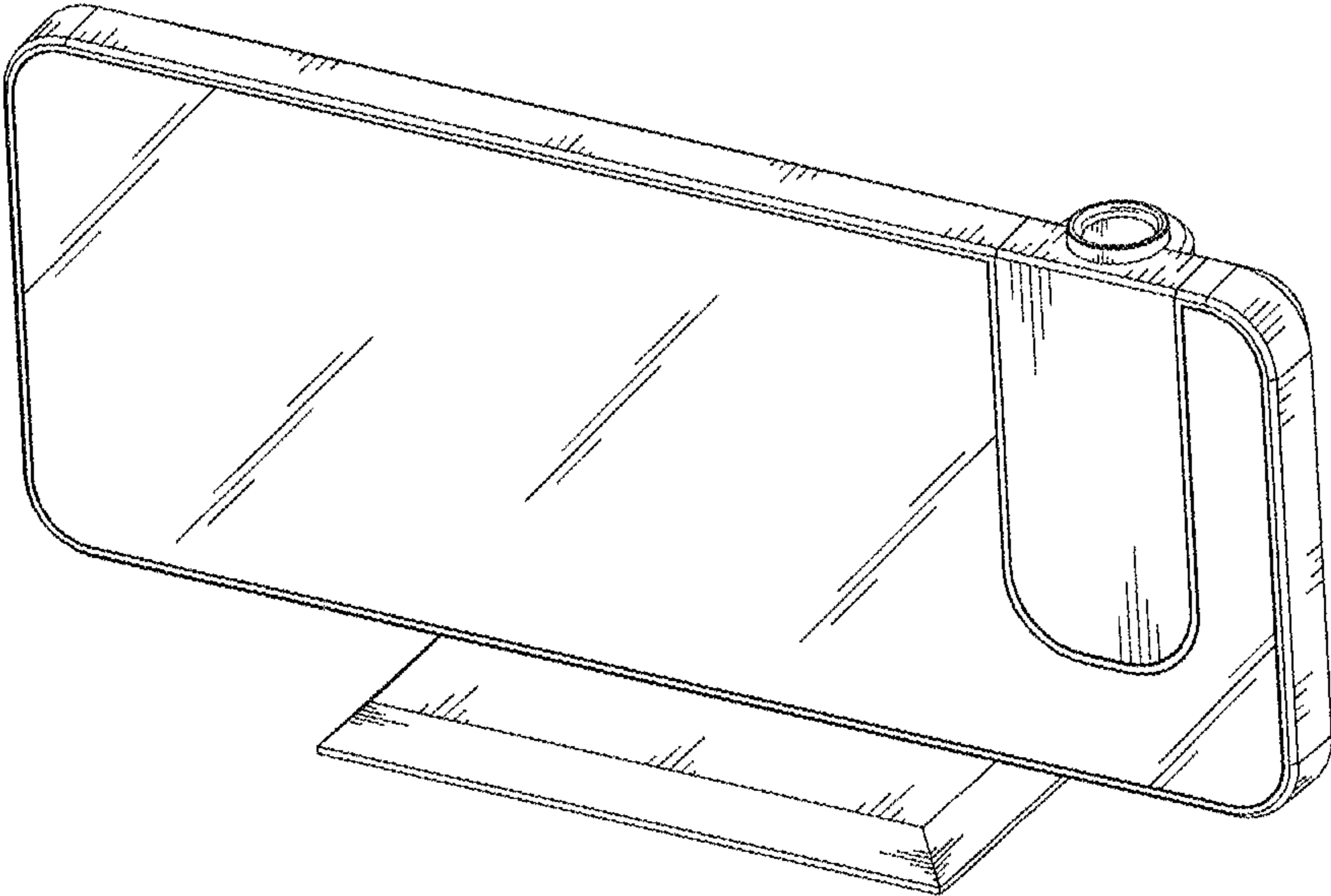


FIG. 1

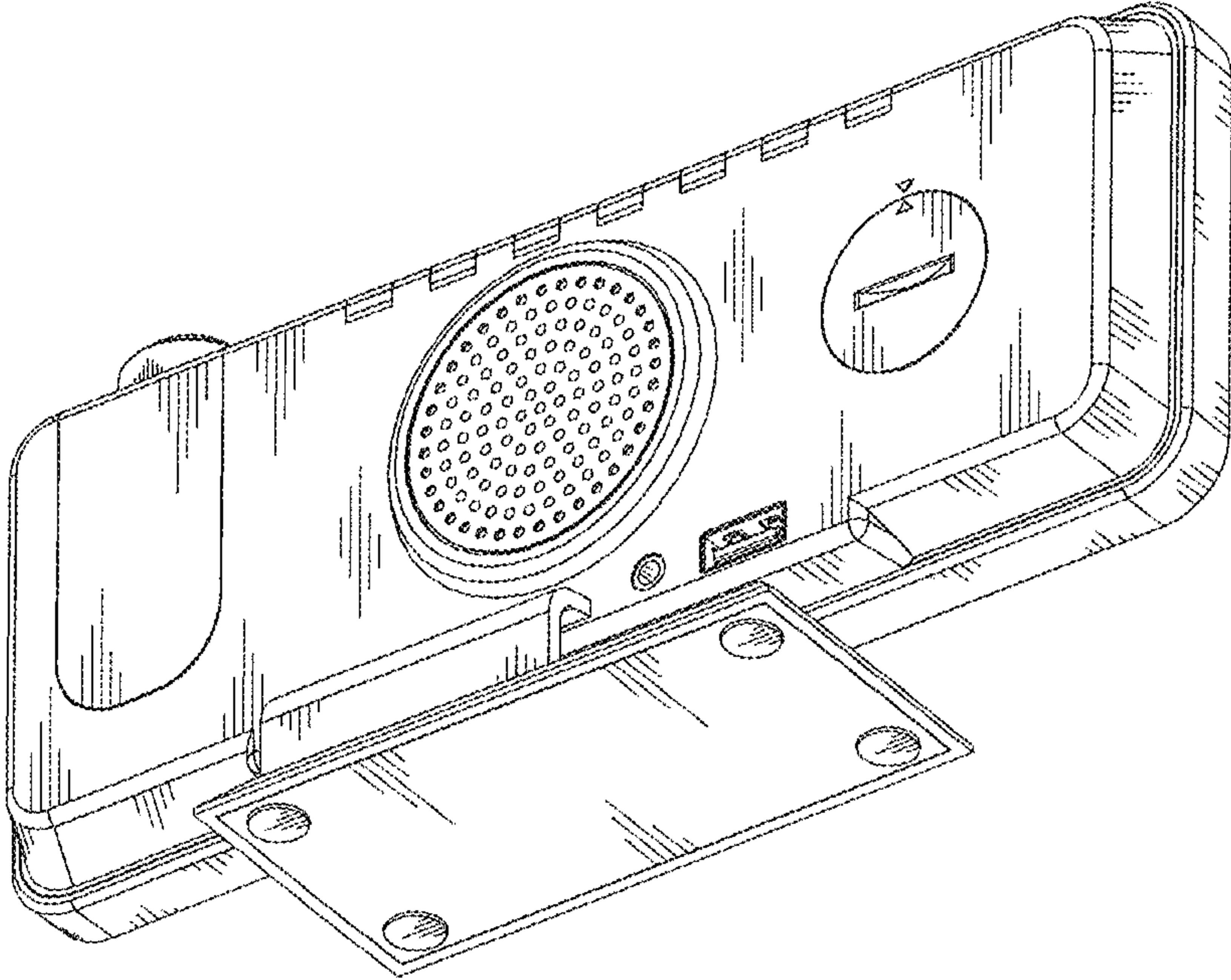


FIG.2

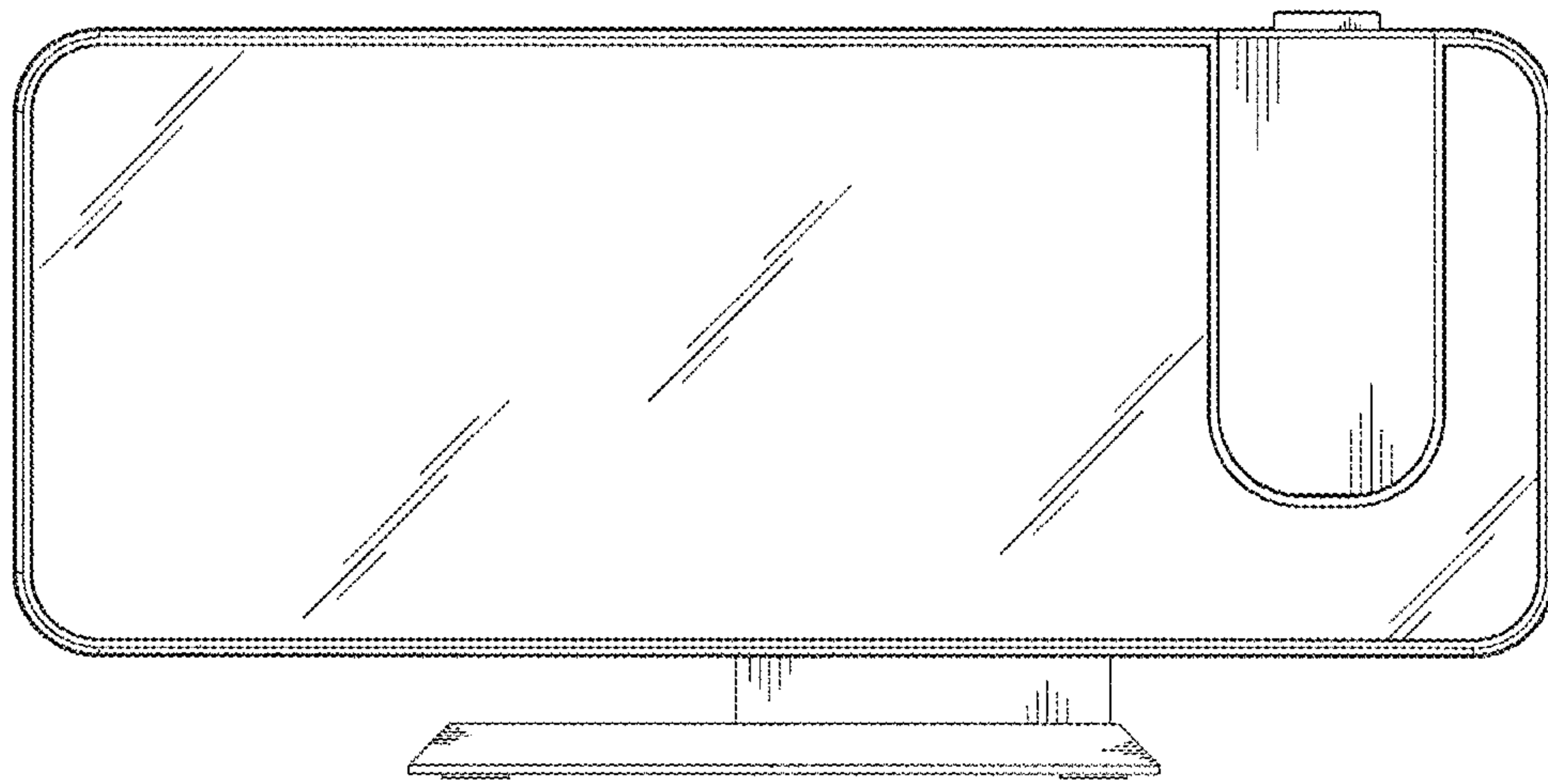


FIG. 3

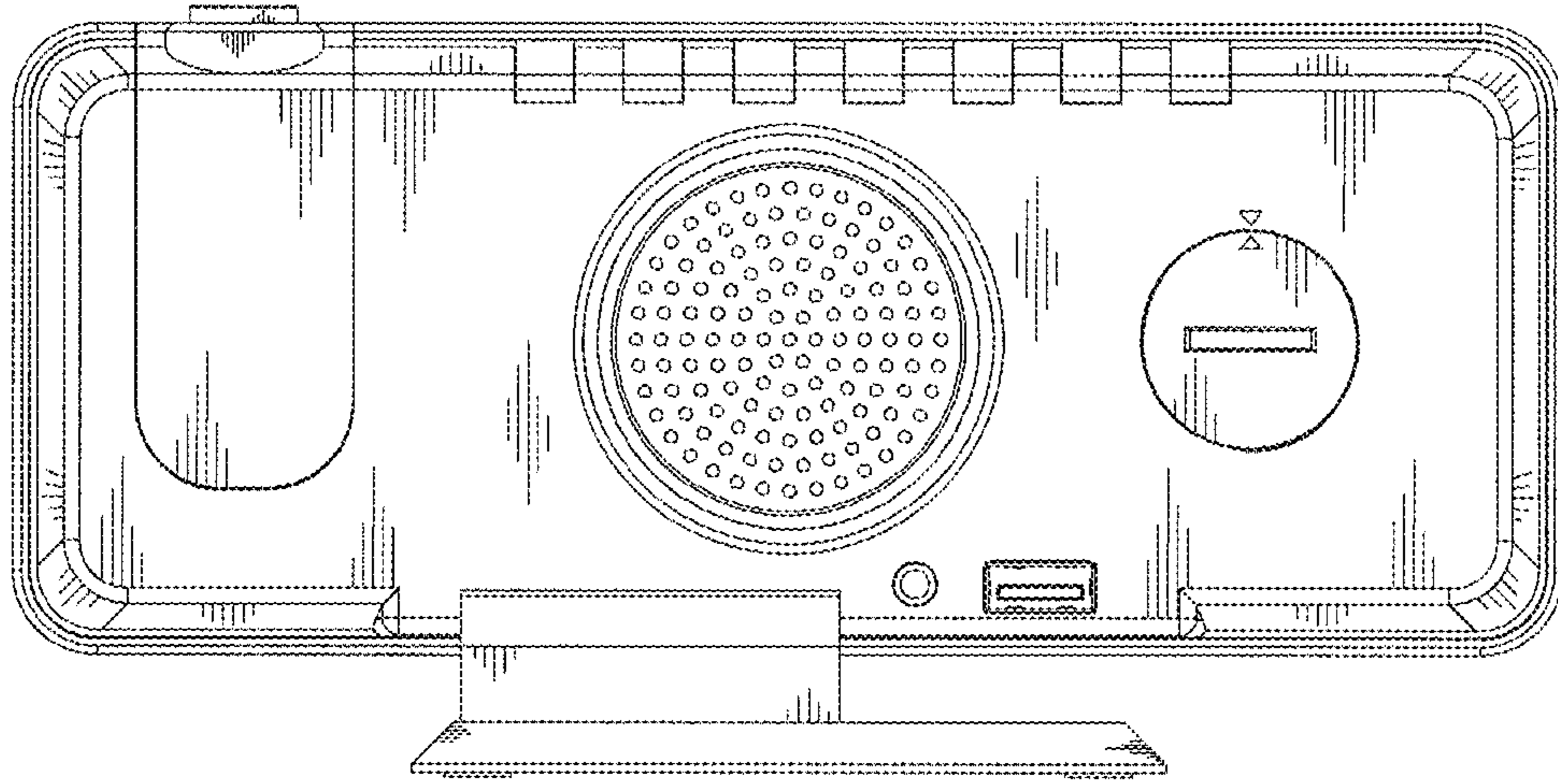


FIG. 4

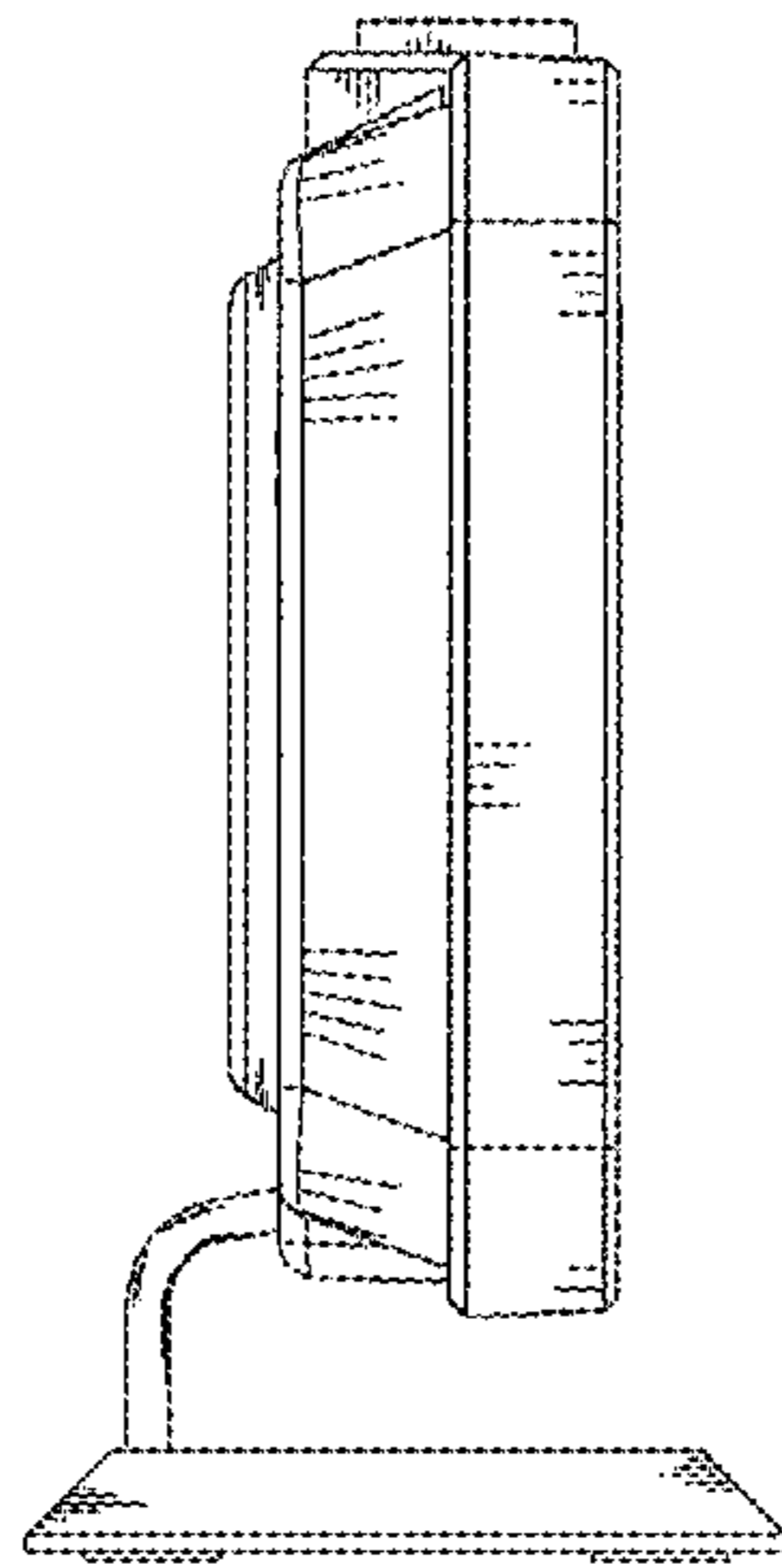


FIG. 5

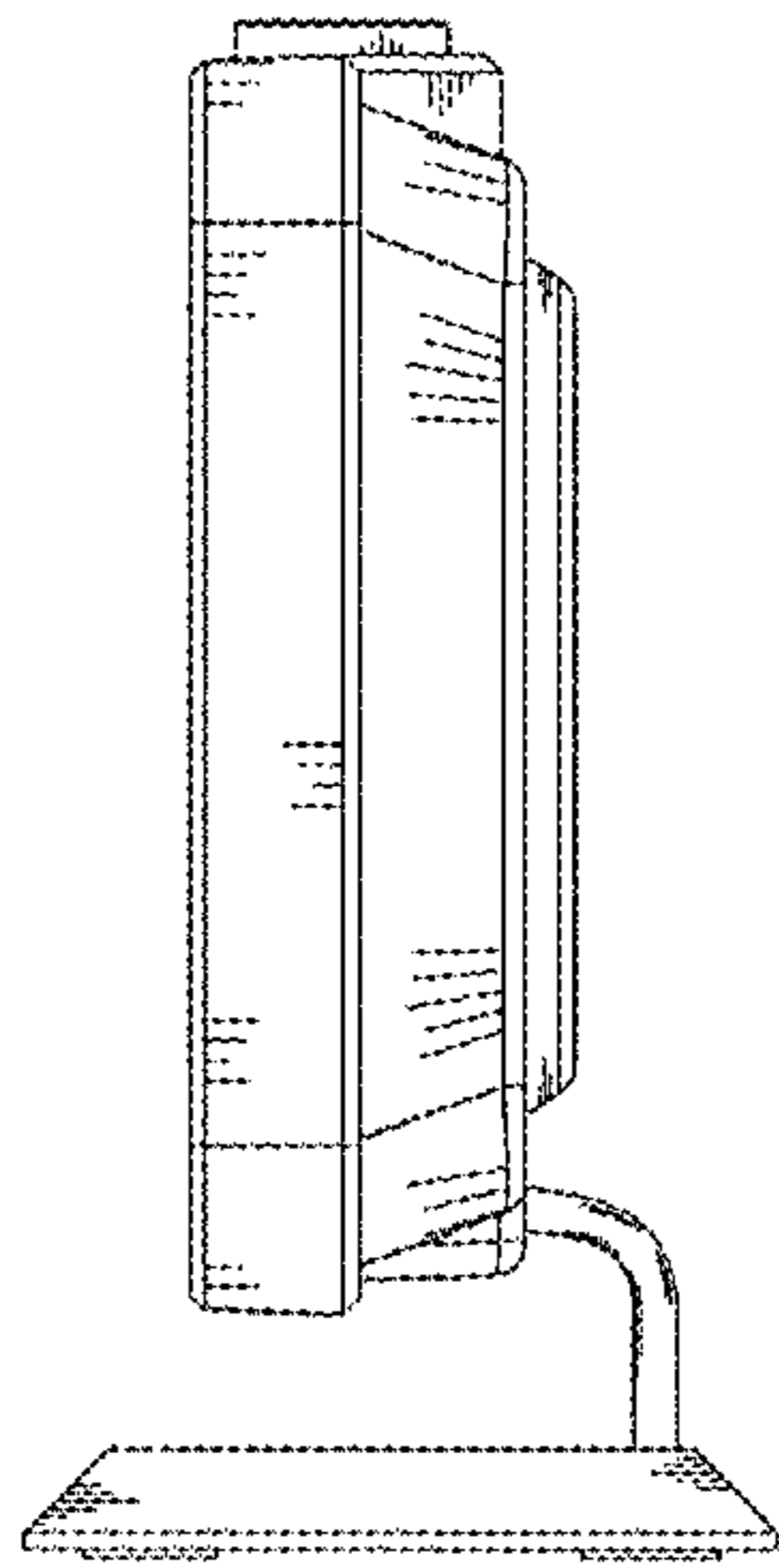


FIG.6

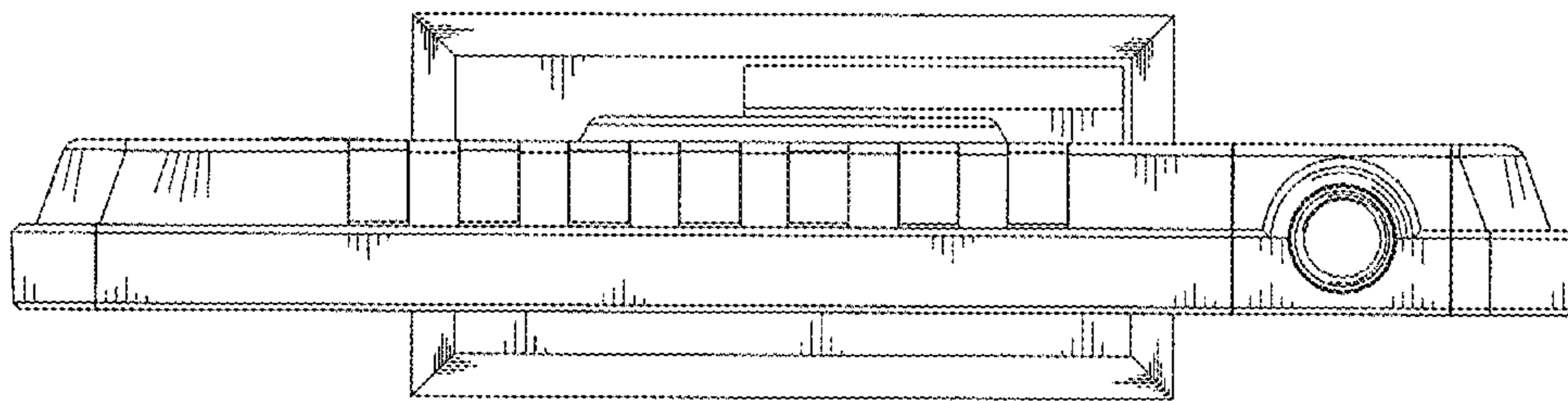


FIG. 7

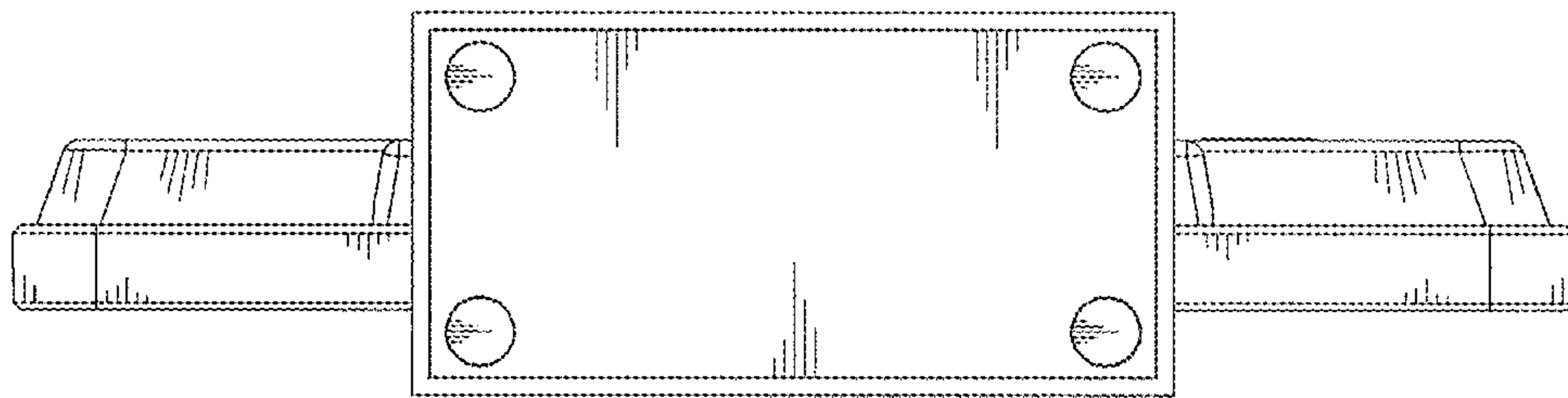


FIG.8