



US00D875551S

(12) **United States Design Patent** (10) **Patent No.:** **US D875,551 S**
Galavis (45) **Date of Patent:** **** Feb. 18, 2020**

(54) **PACKAGING CONTAINER**

(71) Applicant: **General Mills, Inc.**, Minneapolis, MN (US)

(72) Inventor: **David Galavis**, La Rioja (ES)

(73) Assignee: **General Mills, Inc.**, Minneapolis, MN (US)

(**) Term: **15 Years**

(21) Appl. No.: **29/703,796**

(22) Filed: **Aug. 29, 2019**

(51) **LOC (12) Cl.** **09-03**

(52) **U.S. Cl.**
USPC **D9/756**; D9/426

(58) **Field of Classification Search**
USPC D9/756, 737, 424, 425, 426, 428-432, D9/748, 749, 759-761, 601, 586, 701, D9/703, 708; D7/550.1, 554.3, 587, D7/554.4, 602, 553.1-553.8, 555; D3/20, D3/203.3, 294, 295, 313-315, 901, 304; D24/105, 176-180, 229, 230; 220/4.21-4.27, 500, 555, 556, 575, 507, 220/523, 524, DIG. 10, DIG. 20; 229/406, 120.03, 407, 904, 908; 433/77; D30/130

CPC B65B 31/028; B65D 1/30; B65D 1/34; B65D 2581/055; B65D 81/34; B65D 1/36; B65D 81/3453; B65D 85/36; B65D 21/02; B65D 21/0206; B65D 71/40; B65D 71/50; B65D 43/162; B65D 1/00; B65D 43/021; B65D 2543/00194; B65D 2543/00296; B65D 2543/00509; B65D 2543/00101; B65D 2543/00537; B65D 2543/00555; B65D 2577/2066; B65D 2101/0015; B65D 2571/00277; A61C 17/005; A61C 19/006

See application file for complete search history.

(56) **References Cited**

U.S. PATENT DOCUMENTS

| | | | |
|----------------|---------|----------------------|------------------------|
| D219,263 S * | 11/1970 | Castelli et al. | D9/757 |
| D273,765 S * | 5/1984 | Cillario | D9/425 |
| D280,383 S * | 9/1985 | Tendick | D9/425 |
| D367,172 S * | 2/1996 | Brightbill | D3/310 |
| D371,940 S * | 7/1996 | Krupa | D30/130 |
| D416,751 S * | 11/1999 | Sawyer | D7/359 |
| D433,592 S * | 11/2000 | Hopkins | D7/359 |
| 6,187,354 B1 * | 2/2001 | Hopkins | B65D 43/162 219/734 |
| D448,130 S * | 9/2001 | Wagner | D32/53.1 |
| D523,751 S * | 6/2006 | Vetrano | D9/456 |
| D590,596 S * | 4/2009 | Dretzka | D3/304 |
| D693,178 S * | 11/2013 | Wilson | D7/553.2 |

(Continued)

Primary Examiner — W. A. Teddy Falloway
(74) *Attorney, Agent, or Firm* — Diederiks & Whitelaw, PLC; John L. Crimmins, Esq.

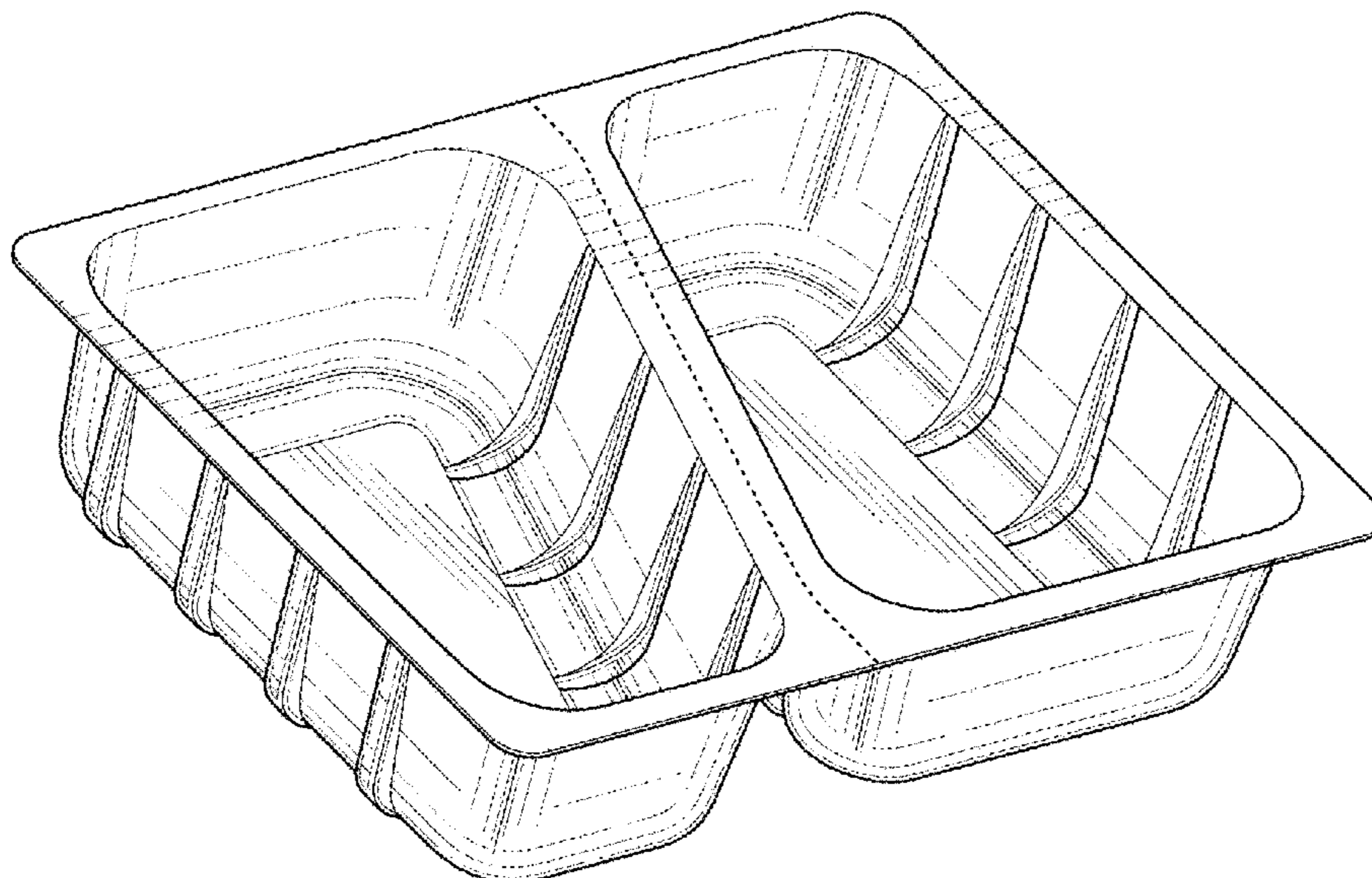
(57) **CLAIM**

The ornamental design for a packaging container, as shown and described.

DESCRIPTION

FIG. 1 is an upper perspective view of the packaging container of the design;
FIG. 2 is a bottom view of the packaging container;
FIG. 3 is a top view of the packaging container;
FIG. 4 is a front elevational view of the packaging container;
FIG. 5 is a rear elevational view of the packaging container;
FIG. 6 is a left side view of the packaging container; and,
FIG. 7 is a right side view of the packaging container.
The broken line between two storage zones of the packaging container in each of FIGS. 1-3 represents a line of perforation or weakness for use in selectively splitting the two storage zones and forms no part of the claimed design.

1 Claim, 4 Drawing Sheets



(56)

References Cited

U.S. PATENT DOCUMENTS

| | | | | |
|--------------|------|---------|-------------------|--------------|
| D696,910 | S * | 1/2014 | Franczyk | D7/629 |
| D712,752 | S * | 9/2014 | Stuart | D9/756 |
| D713,196 | S * | 9/2014 | Sarnoff | D7/357 |
| D713,741 | S * | 9/2014 | Wilmers | D9/424 |
| D793,868 | S * | 8/2017 | Kim | D9/756 |
| D814,929 | S * | 4/2018 | Bergeron | D9/456 |
| 10,398,243 | B2 * | 9/2019 | Sedgwick | A47G 19/30 |
| 2002/0096056 | A1 * | 7/2002 | Hopkins | A47J 36/027 |
| | | | | 99/422 |
| 2009/0159483 | A1 * | 6/2009 | Hinze | B65D 75/327 |
| | | | | 206/548 |
| 2009/0321292 | A1 * | 12/2009 | Prudden, Jr. | B65D 1/30 |
| | | | | 206/354 |
| 2010/0065562 | A1 * | 3/2010 | Vovan | B65D 1/30 |
| | | | | 220/23.4 |
| 2015/0217925 | A1 * | 8/2015 | Inagaki | B65D 77/2024 |
| | | | | 426/106 |
| 2018/0072459 | A1 * | 3/2018 | Davey | B65D 21/0206 |
| 2018/0162624 | A1 * | 6/2018 | Bergeron | B65D 81/05 |
| 2019/0241340 | A1 * | 8/2019 | Kuruvilla | B65D 77/003 |

* cited by examiner

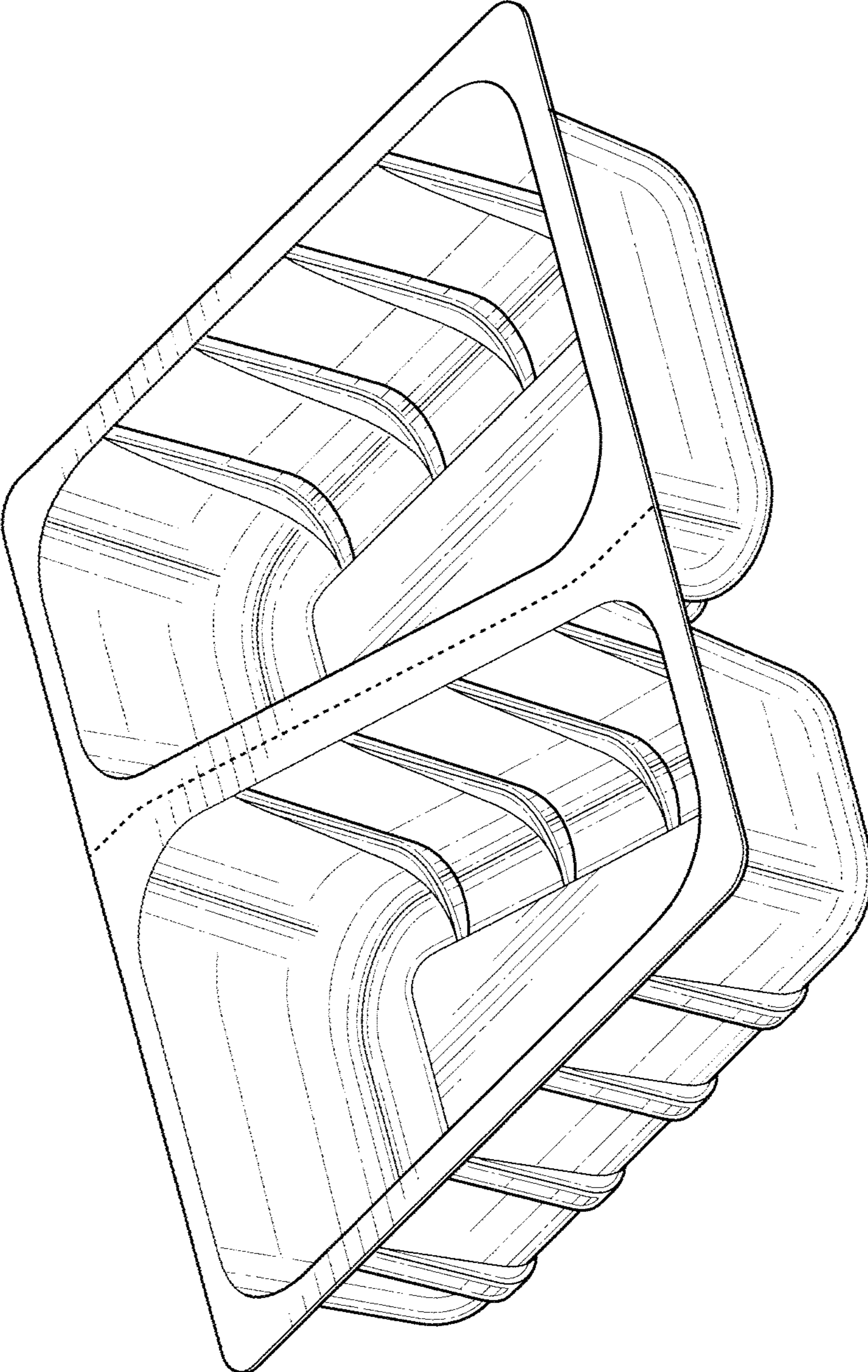


FIG. 1

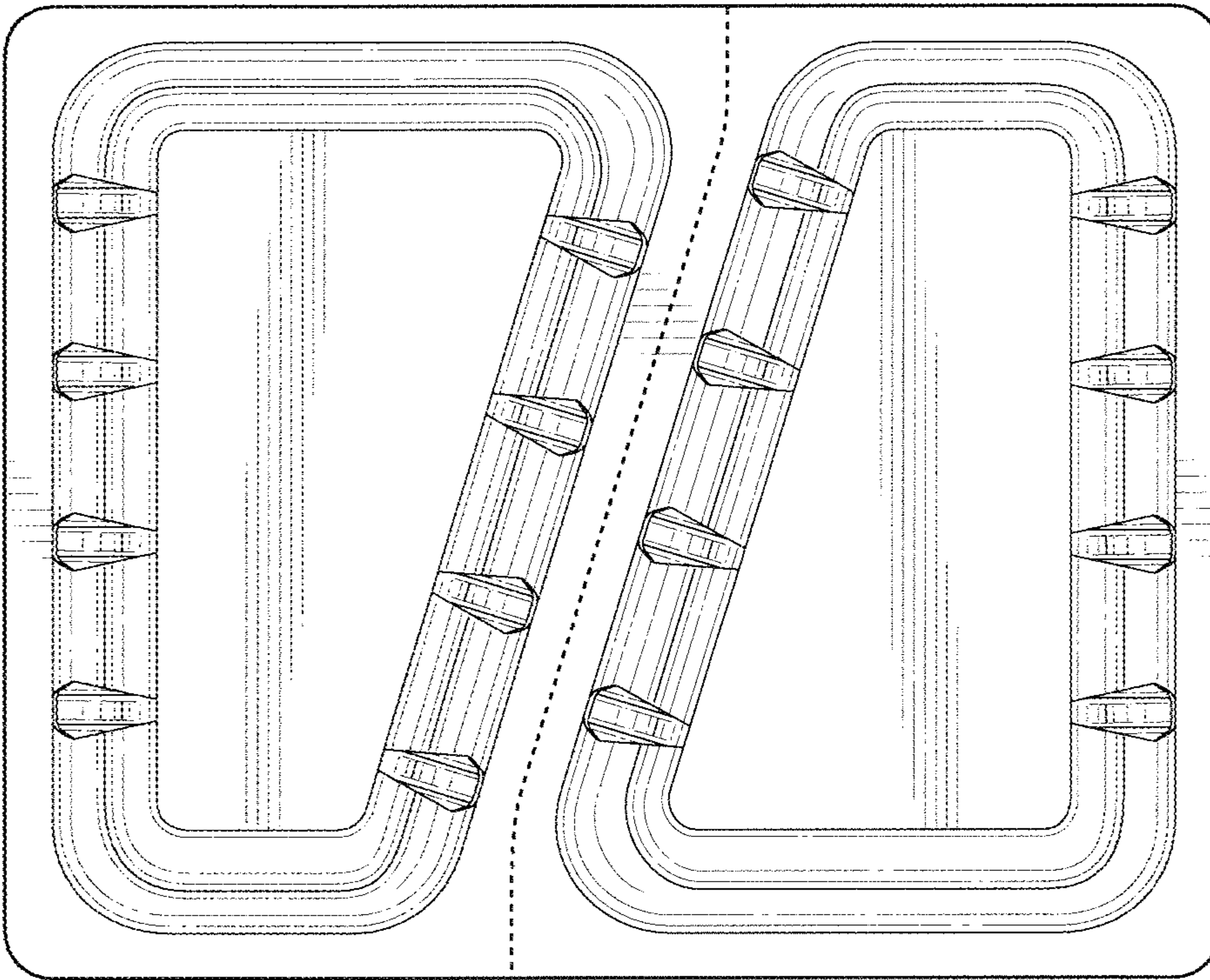


FIG. 3

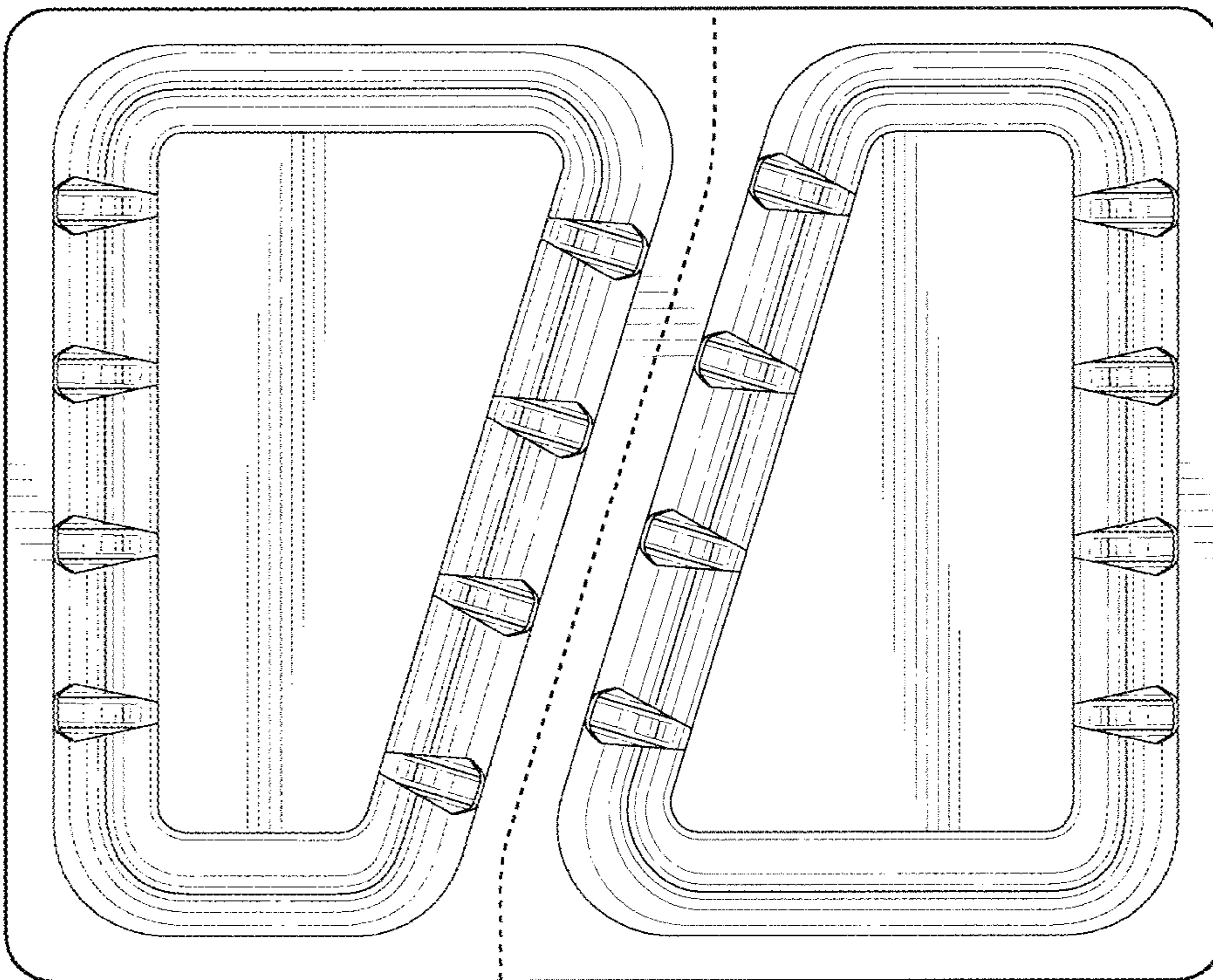


FIG. 2

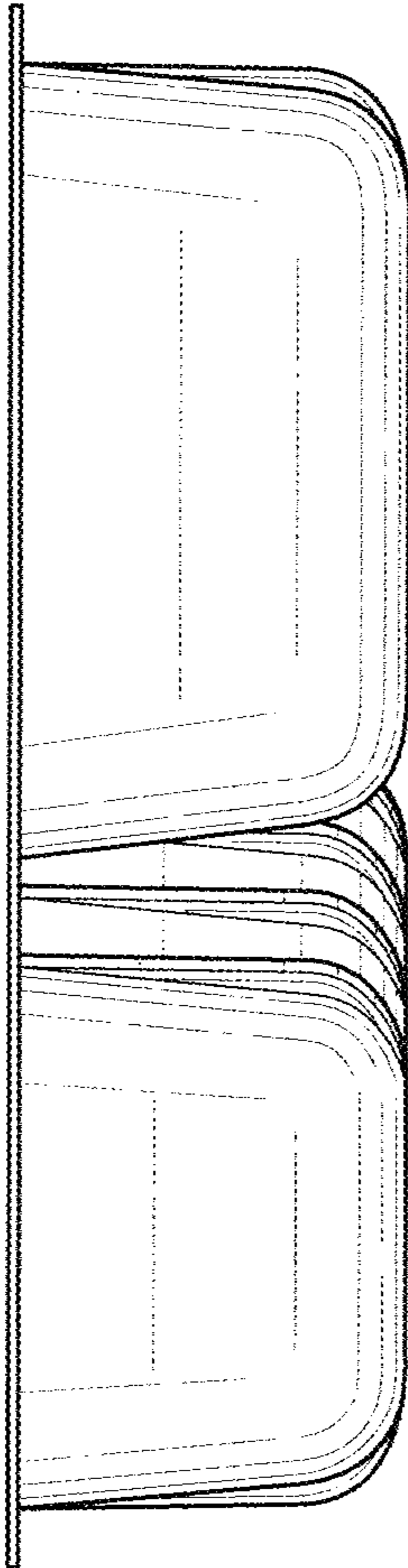


FIG. 4

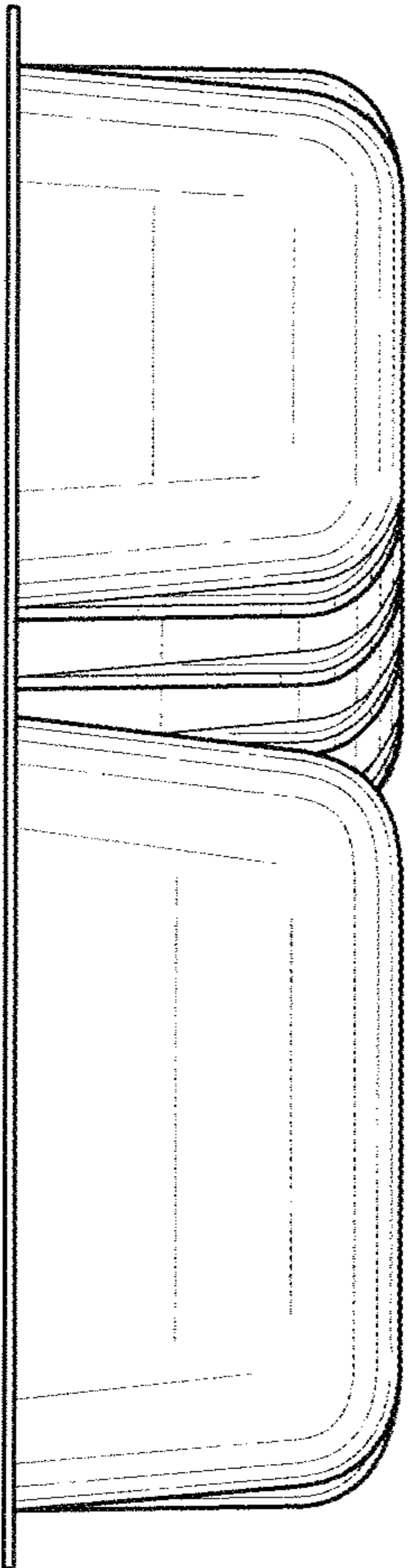


FIG. 5

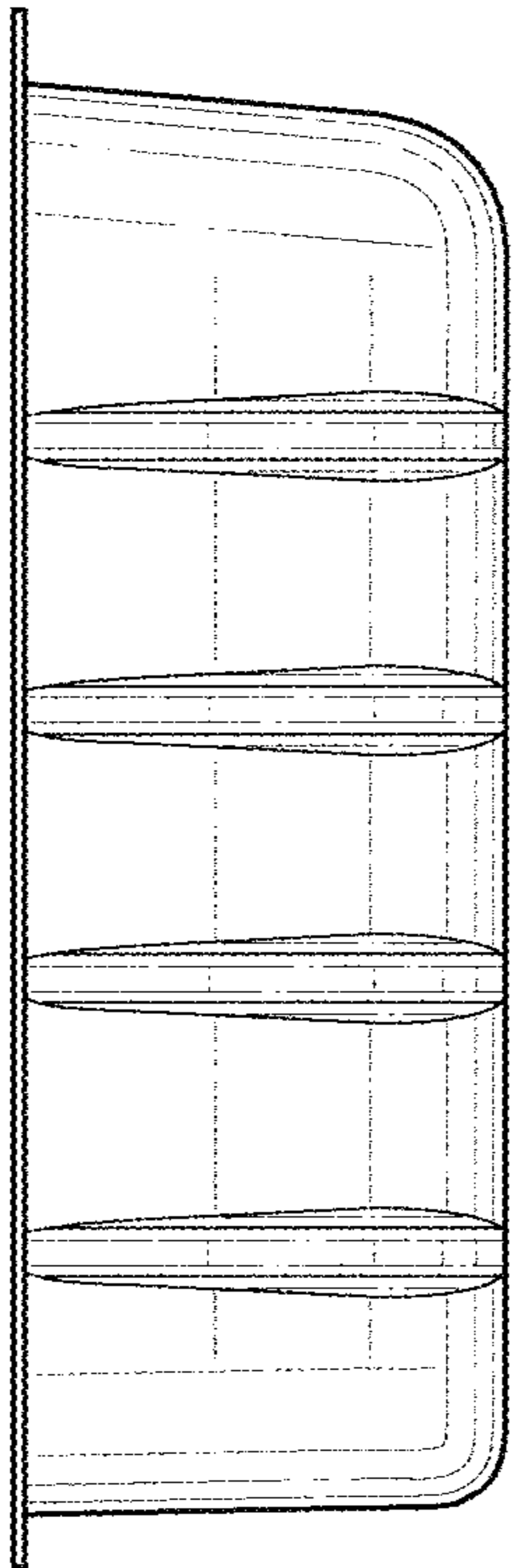


FIG. 6

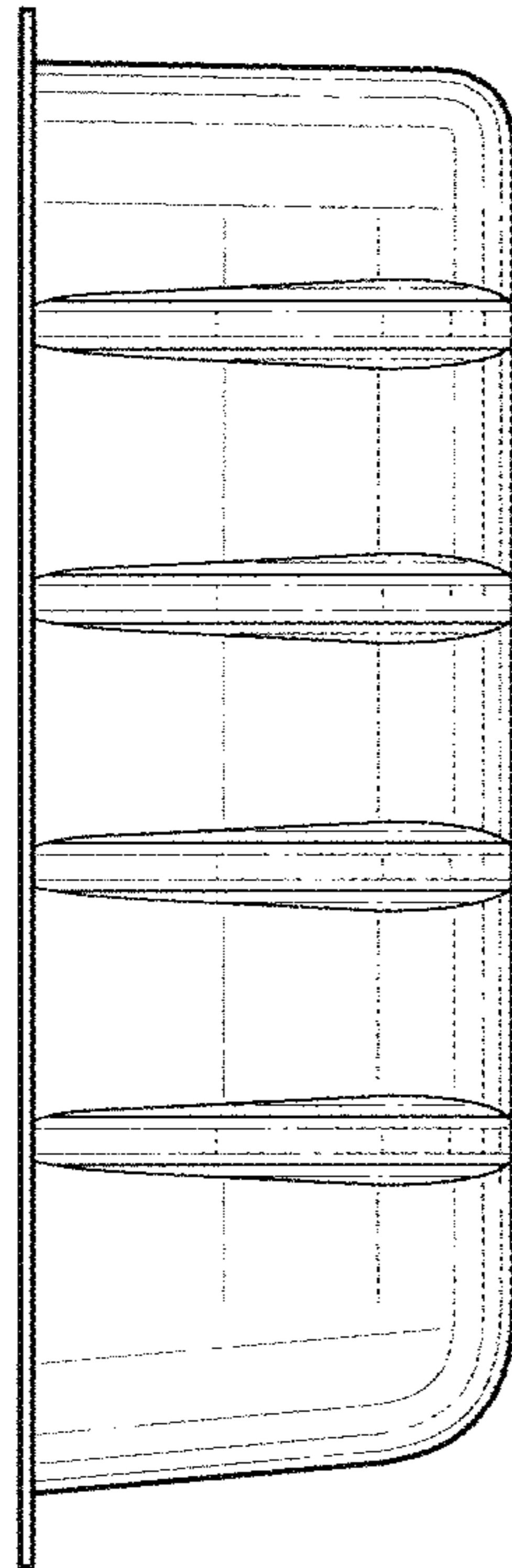


FIG. 7