



US00D875549S

(12) **United States Design Patent** (10) **Patent No.:** **US D875,549 S**
Hamilton (45) **Date of Patent:** **** Feb. 18, 2020**

(54) **GROWLER HAVING AN INTERNAL DIVIDER**

D257,583 S * 12/1980 Hayes D9/500
D258,491 S * 3/1981 Hayes D9/500
D258,564 S * 3/1981 Hayes D9/500

(Continued)

(71) Applicant: **Justin Hamilton**, Merritt Island, FL (US)

(72) Inventor: **Justin Hamilton**, Merritt Island, FL (US)

(**) Term: **15 Years**

(21) Appl. No.: **29/648,563**

(22) Filed: **May 22, 2018**

(51) **LOC (12) Cl.** **09-01**

(52) **U.S. Cl.**
USPC **D9/738**; D7/513; D7/534

(58) **Field of Classification Search**
USPC D9/719, 737, 738, 741, 742, 524, 528, D9/530, 531, 533, 535, 536, 545; D7/505, 507, 509-511, 513, 533, 534, D7/536; D3/202; 215/6; 206/217; 220/500, 265

CPC .. B65D 23/10; B65D 1/0223; B65D 81/3288; B65D 1/0246; B65D 1/04; B65D 21/0202; B65D 21/0204; B29B 2911/14346

See application file for complete search history.

(56) **References Cited**

U.S. PATENT DOCUMENTS

D60,566 S * 3/1922 Newman D7/608
2,307,390 A * 1/1943 Clarence B65D 23/10
215/398
D191,071 S * 8/1961 Roberts D9/536
3,066,819 A * 12/1962 Cox B65D 23/10
215/44
3,589,542 A * 6/1971 Dillon B65D 1/0223
215/382
D235,971 S * 7/1975 Visola D9/536
D238,143 S * 12/1975 Bay D9/536
D244,337 S * 5/1977 Sirisky D7/515
D257,580 S * 12/1980 Hayes D9/500

OTHER PUBLICATIONS

Antique Two-Handled Ceramic Liquor/Whiskey/Bourbon Jug, available Jan. 12, 2019, [online], [site visited Nov. 12, 2019]. Available from internet, URL:https://www.liveauctioneers.com/en-gb/item/68041918_antique-two-handled-ceramic-liquorwhiskeybourbon-jug (Year: 2019).*

(Continued)

Primary Examiner — W. A. Teddy Falloway

(74) *Attorney, Agent, or Firm* — Mark Malek; Widerman Malek, PL

(57) **CLAIM**

The ornamental design for a growler having an internal divider, as shown and described.

DESCRIPTION

FIG. 1 is a perspective view of a growler having an internal divider according to the present invention.

FIG. 2 is an elevation view of the growler having an internal divider illustrated in FIG. 1.

FIG. 3 is another elevation view of the view of the growler having an internal divider illustrated in FIG. 1.

FIG. 4 is another elevation view of the view of the growler having an internal divider illustrated in FIG. 1.

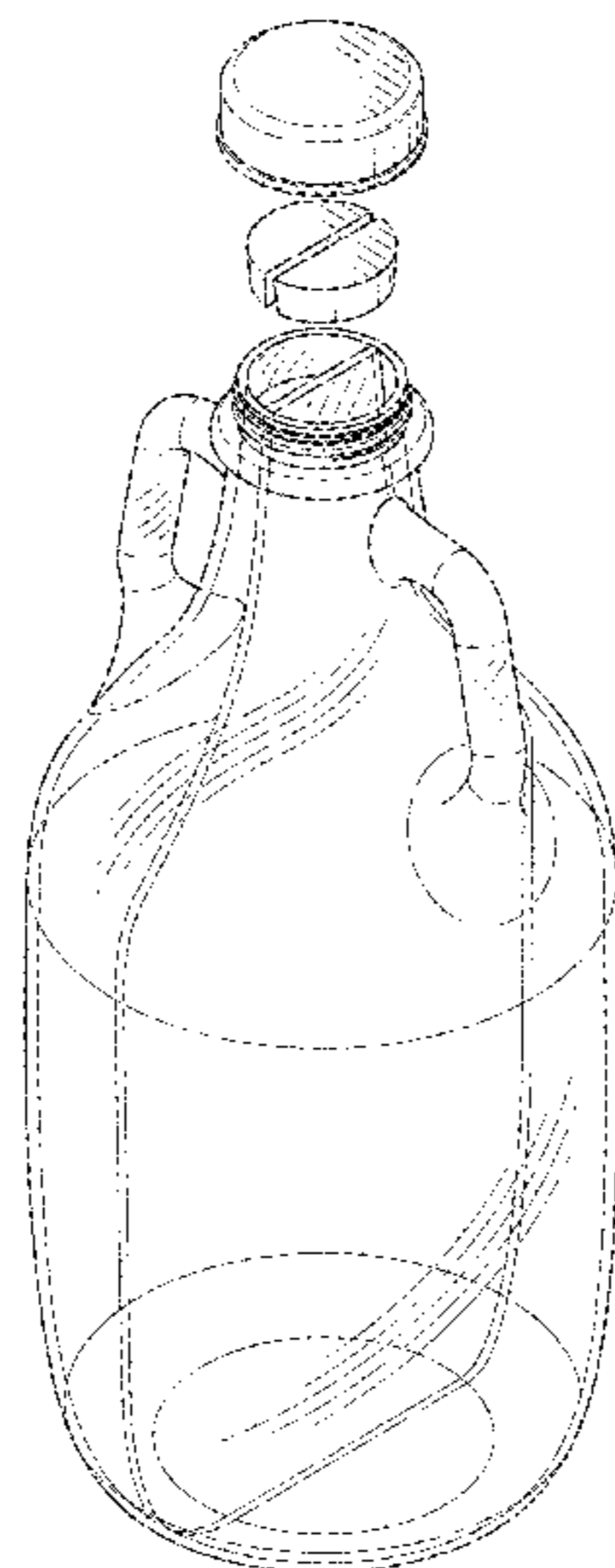
FIG. 5 is another elevation view of the view of the growler having an internal divider illustrated in FIG. 1.

FIG. 6 is a top plan view of the view of the growler having an internal divider illustrated in FIG. 1.

FIG. 7 is a bottom plan view of the growler having an internal divider illustrated in FIG. 1; and,

FIG. 8 is an exploded perspective view of the growler having an internal divider illustrated in FIG. 1 and showing a stopper and a cap.

1 Claim, 7 Drawing Sheets



(56)

References Cited

U.S. PATENT DOCUMENTS

D258,936	S *	4/1981	Hayes	D9/536
D328,253	S *	7/1992	Poore	D9/536
D403,968	S *	1/1999	DeVore	D9/531
D643,300	S *	8/2011	Beckerman	D9/536
D673,050	S *	12/2012	Pennington, IV	D9/531
D805,908	S *	12/2017	Thompson	D9/536
D808,271	S *	1/2018	Weyer	D9/531
D808,272	S *	1/2018	Thompson	D9/536
D811,886	S *	3/2018	Ayala Figueredo	D9/741
D821,211	S *	6/2018	Thompson	D9/531
D829,567	S *	10/2018	Ayala Figueredo	D9/741
D833,819	S *	11/2018	Englert	D7/511
D834,175	S *	11/2018	Kim	D24/101
D843,838	S *	3/2019	Del Bon	D9/536
D845,774	S *	4/2019	Laib	D9/516
D846,989	S *	4/2019	Jimenez	D9/516
2007/0029275	A1 *	2/2007	Hantman	B29C 49/0078 215/6
2009/0020542	A1 *	1/2009	Bauer	B65D 21/0202 220/592.17
2015/0102004	A1 *	4/2015	Kelly	B65D 1/0223 215/44

OTHER PUBLICATIONS

Vintage Large Clear Glass One Gallon Jug with Double Handle Finger Loops, available Oct. 12, 2019, [online], [site visited Nov. 12, 2019]. Available from internet, URL: https://www.etsy.com/listing/668327158/vintage-large-clear-glass-one-gallon-jug?show_sold_out_detail=1 (Year: 2019).*

* cited by examiner

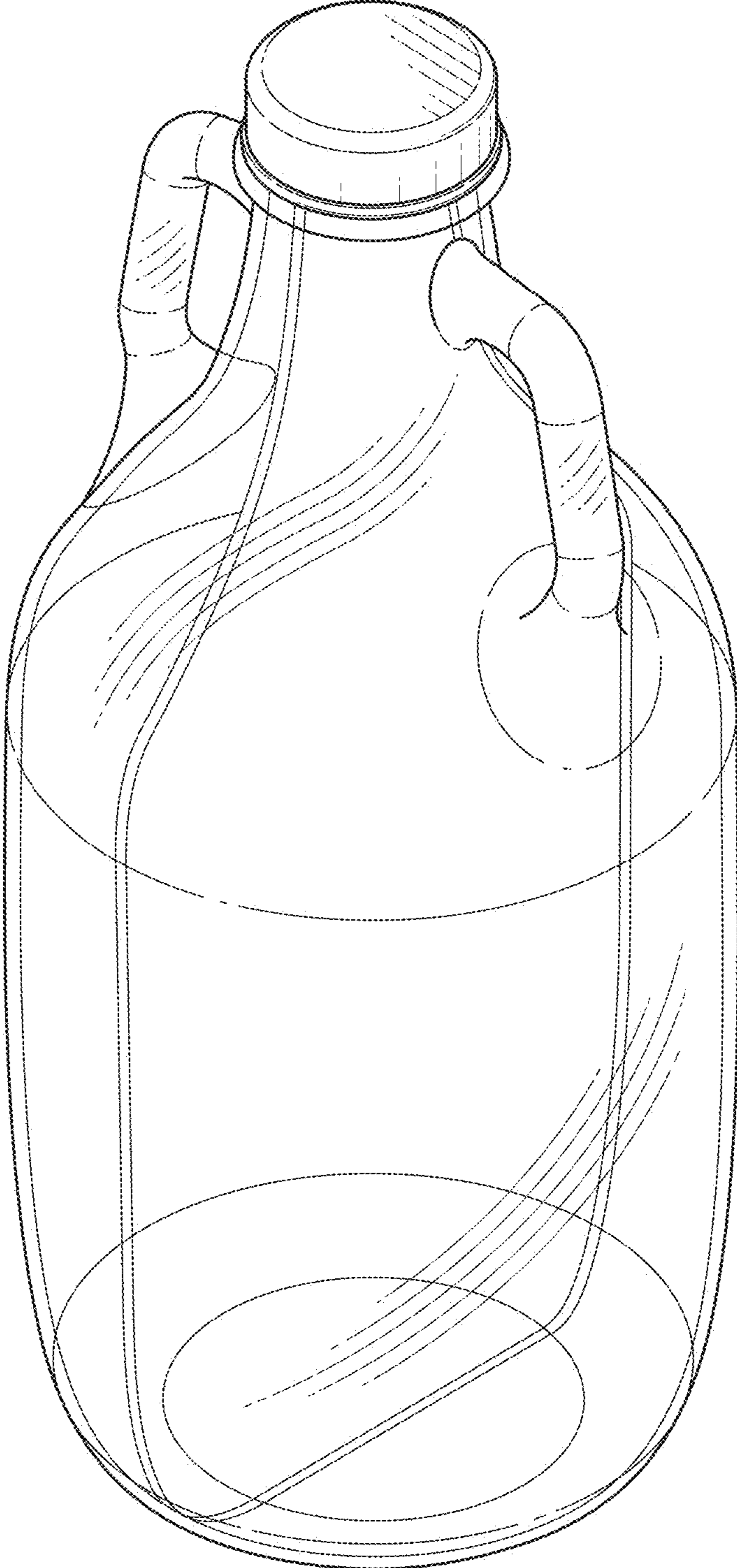


FIG. 1

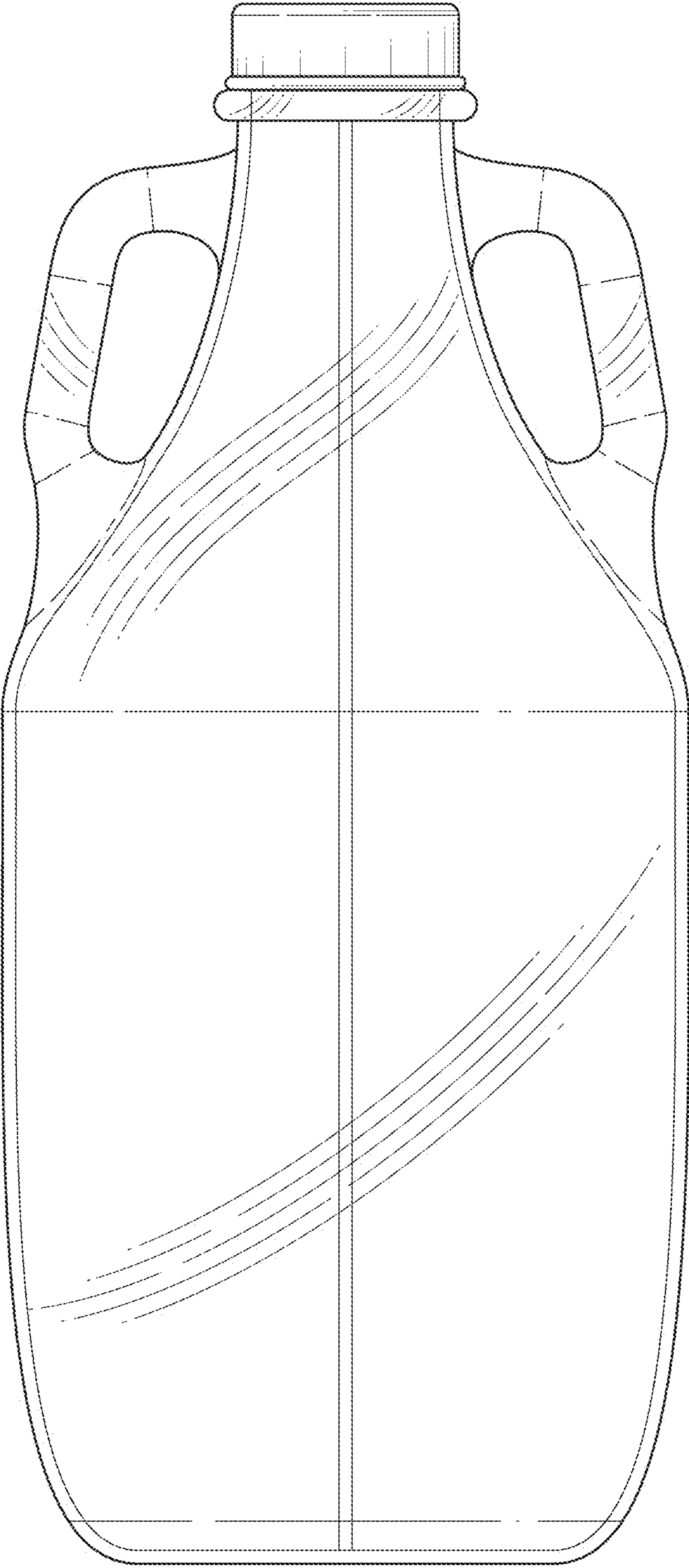


FIG. 2

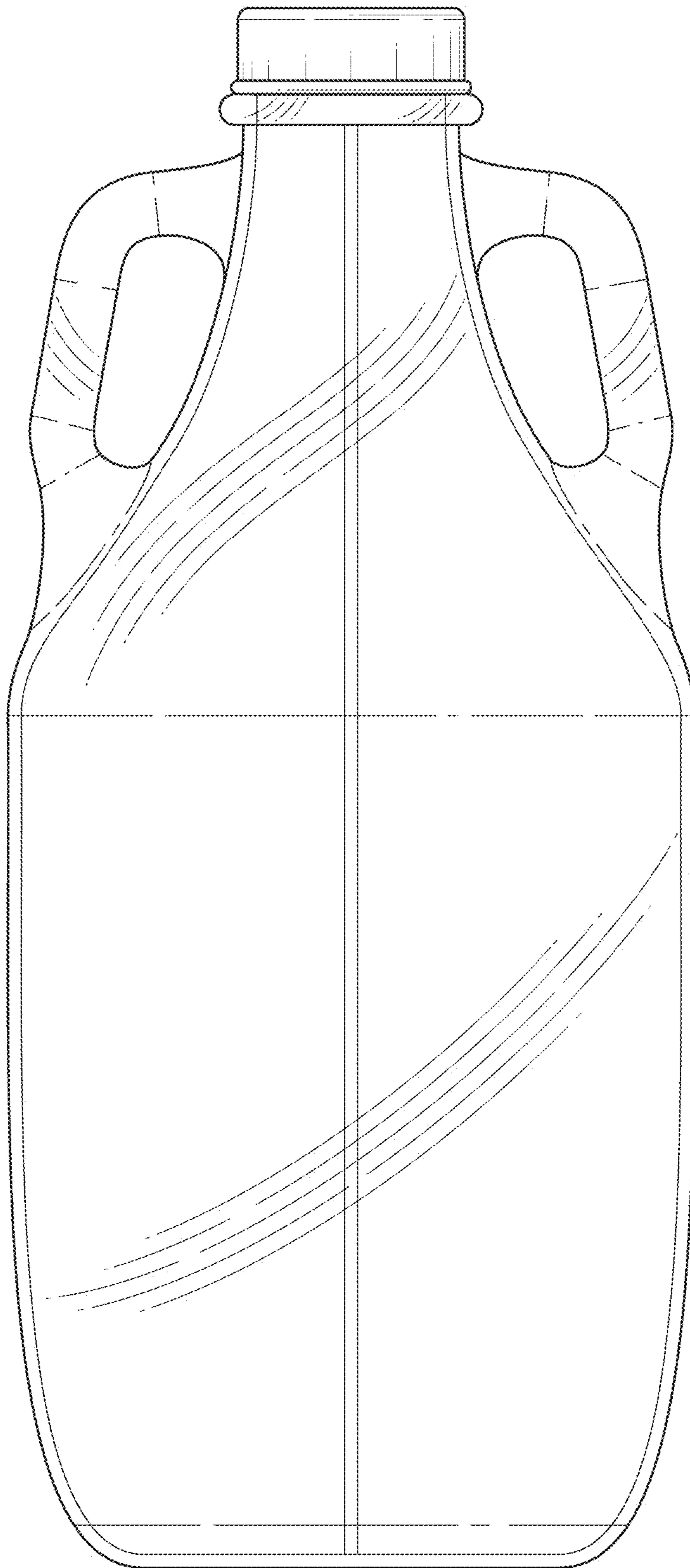


FIG. 3

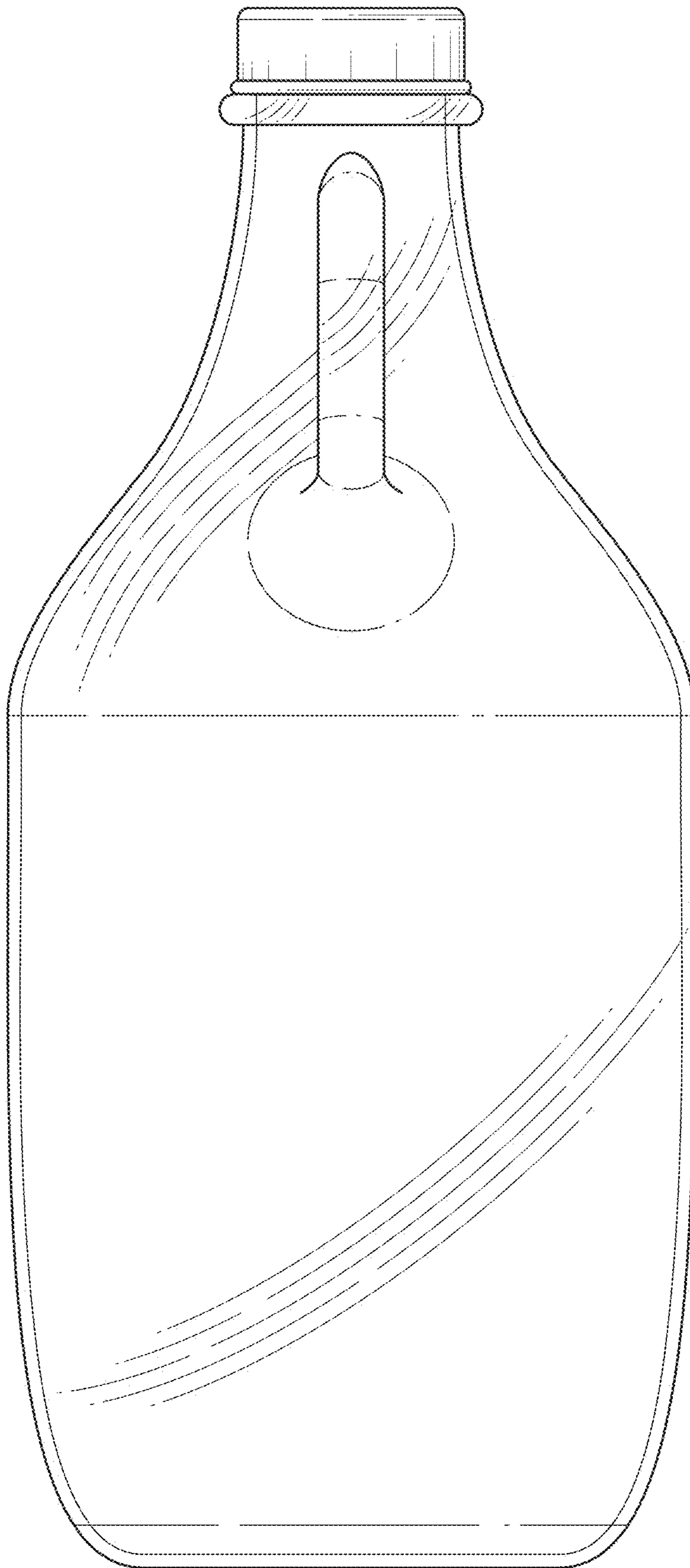


FIG. 4

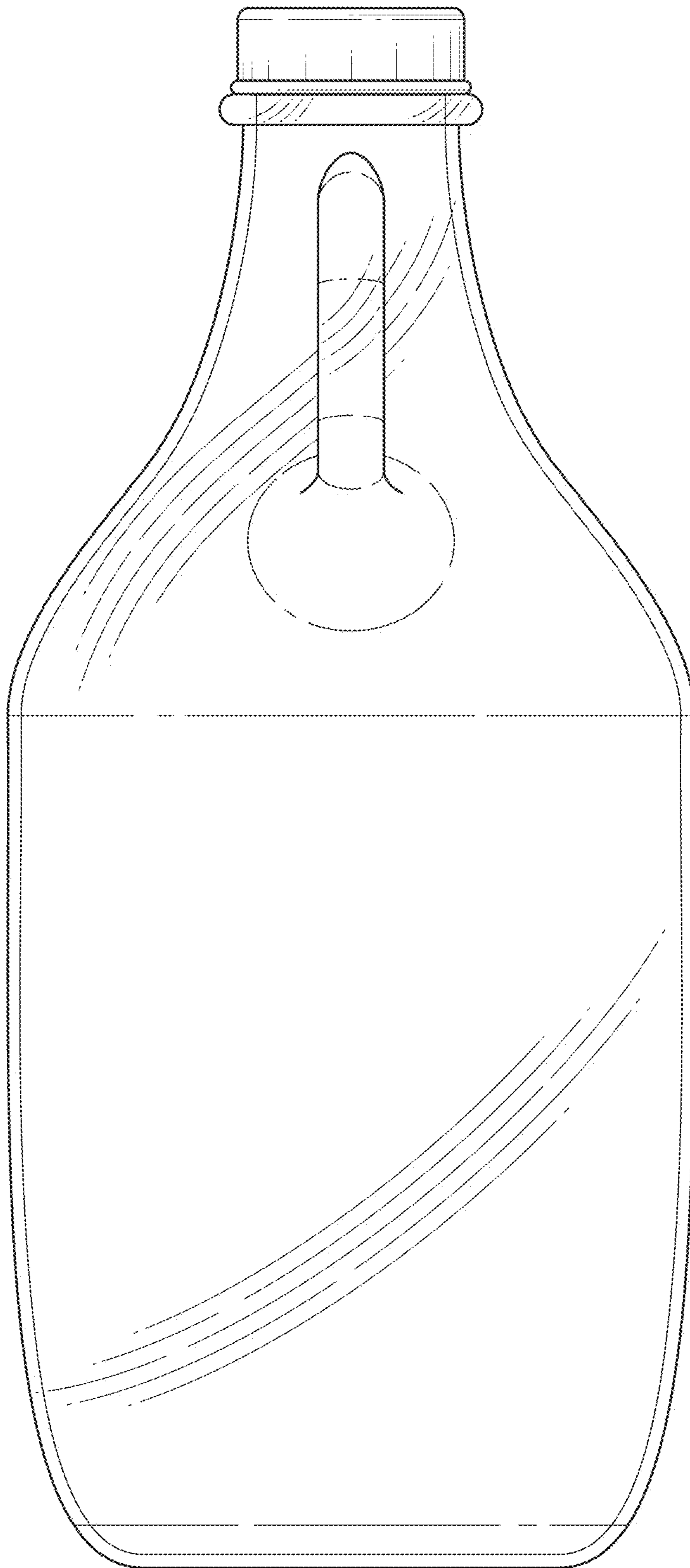


FIG. 5

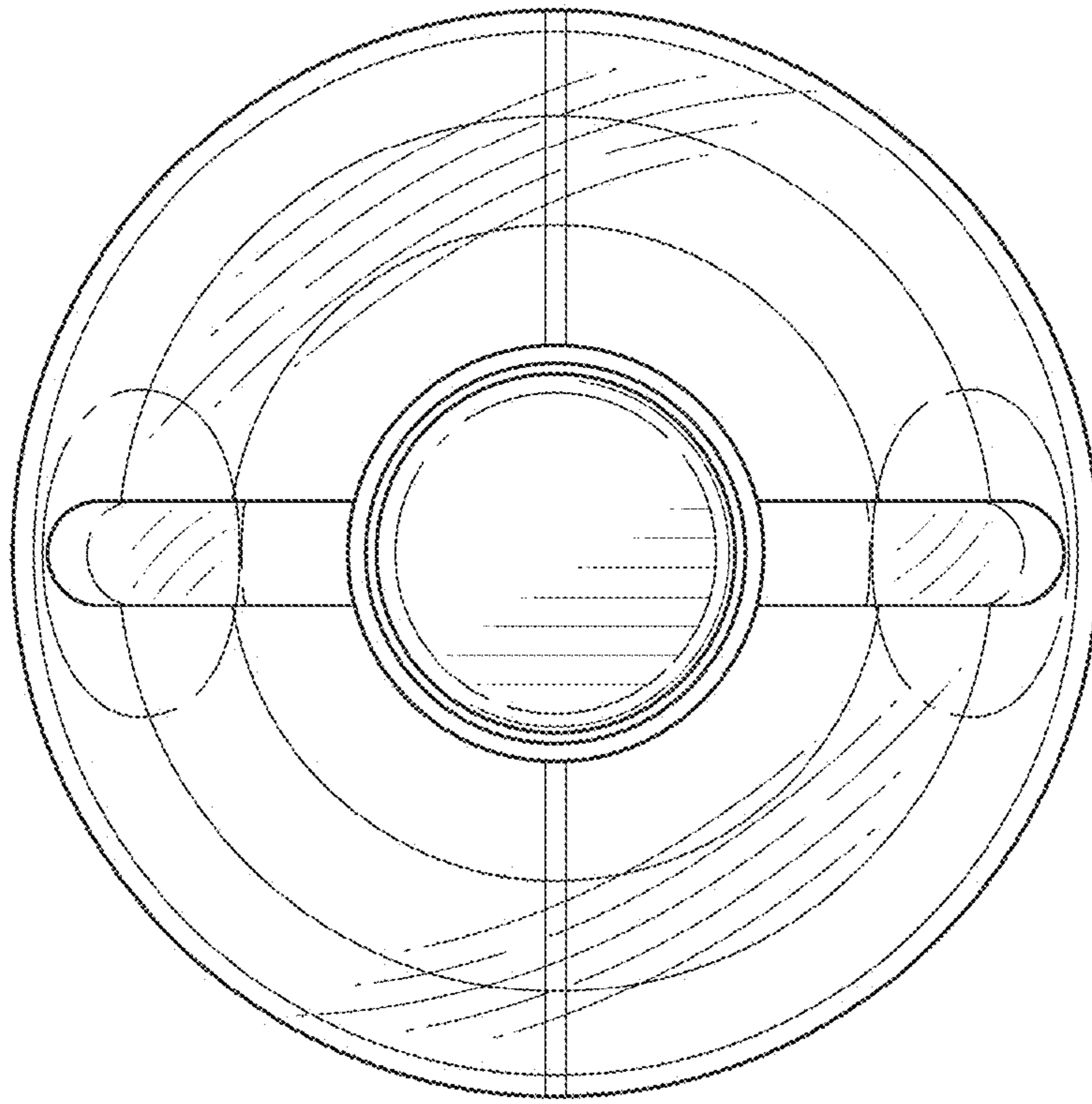


FIG. 6

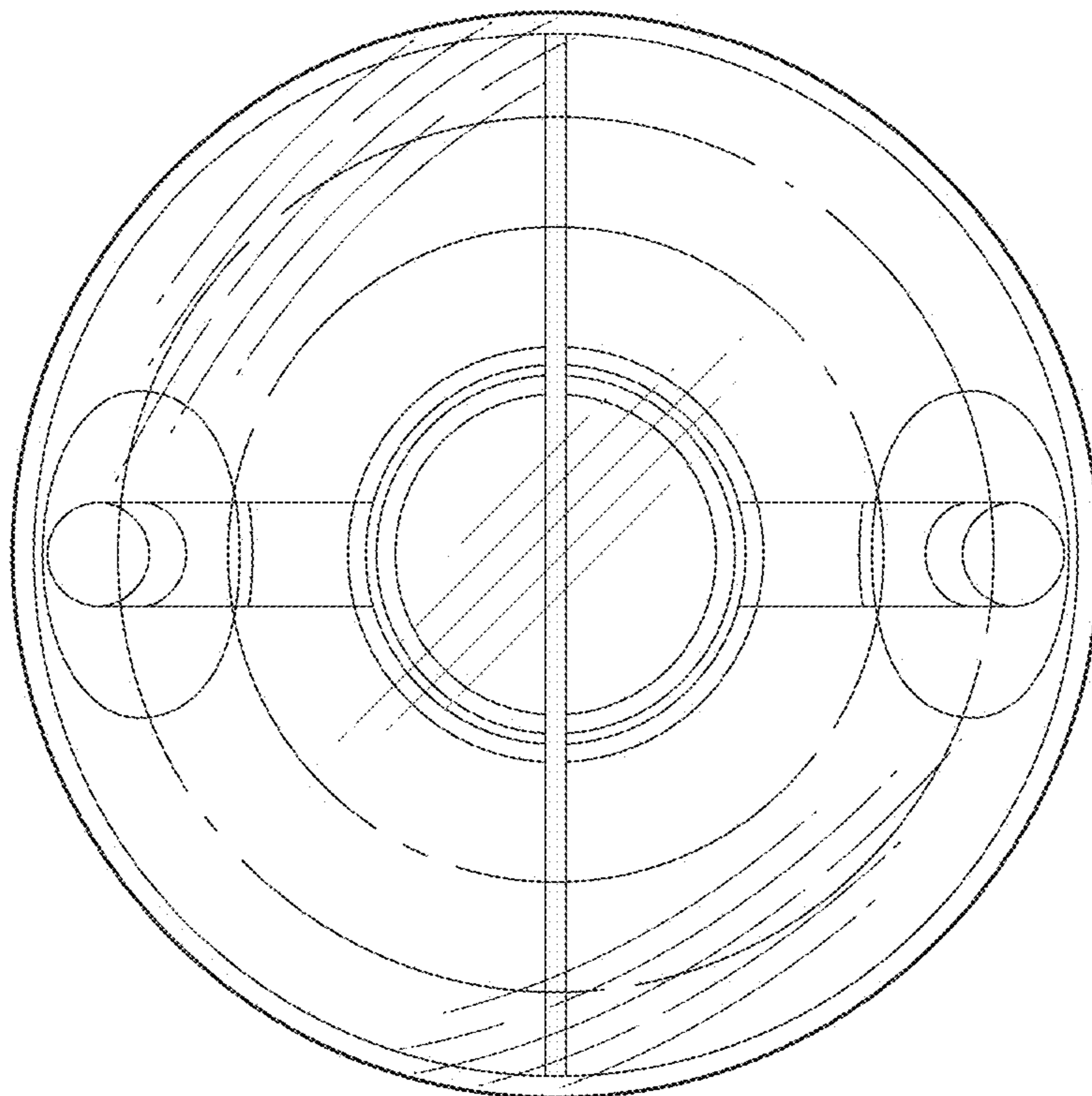


FIG. 7

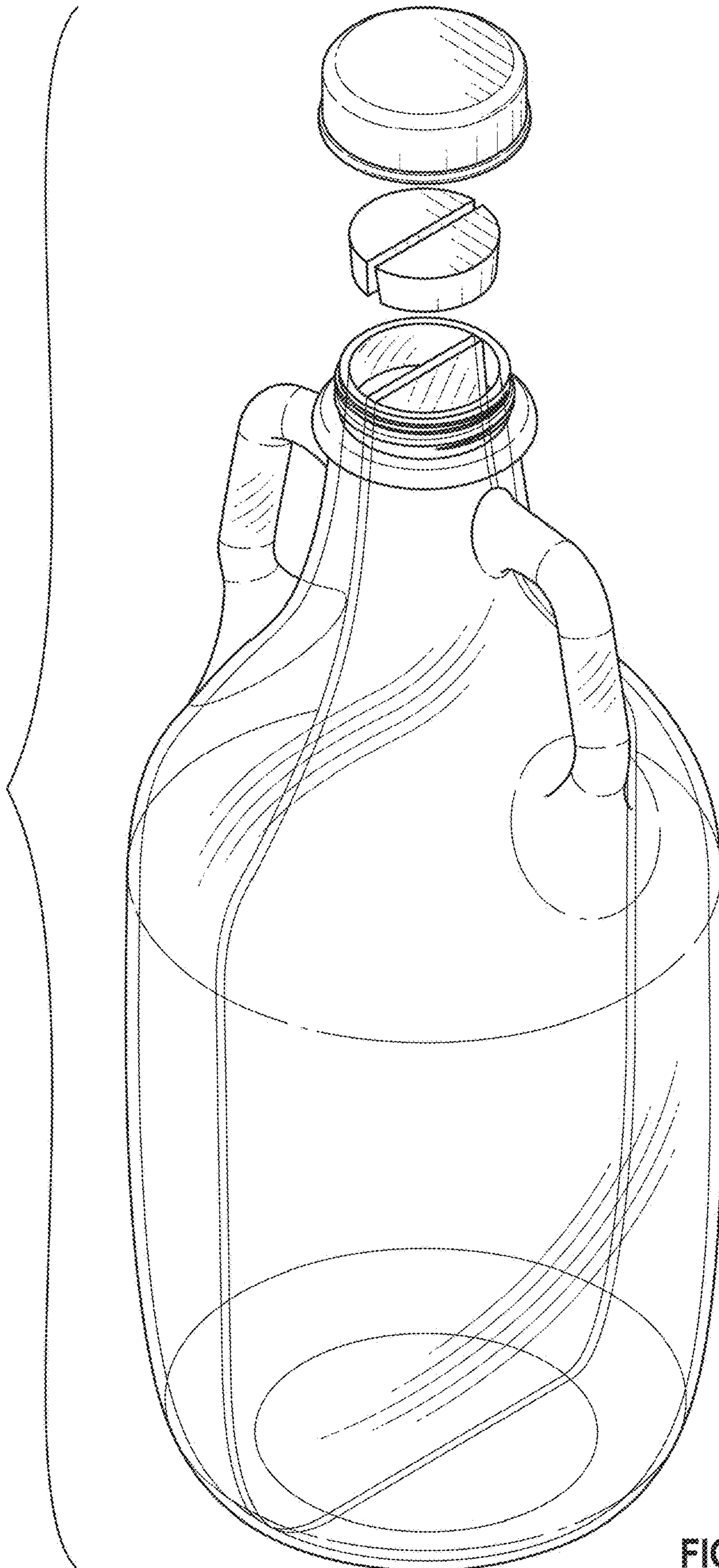


FIG. 8