



US00D875546S

(12) **United States Design Patent**
Son et al.

(10) **Patent No.:** **US D875,546 S**
(45) **Date of Patent:** **** Feb. 18, 2020**

(54) **CONTAINER FOR PACKAGING COSMETICS**

(71) Applicant: **YONWOO CO., LTD.**, Incheon (KR)

(72) Inventors: **Su-Jin Son**, Incheon (KR); **Jae-Ock Lee**, Incheon (KR)

(73) Assignee: **YONWOO CO., LTD.**, Incheon (KR)

(**) Term: **15 Years**

(21) Appl. No.: **29/653,867**

(22) Filed: **Jun. 19, 2018**

(51) **LOC (12) Cl.** **09-01**

(52) **U.S. Cl.**
USPC **D9/689**; D9/688

(58) **Field of Classification Search**
USPC D9/682-694, 719, 723-729, 500-504,
D9/517, 529, 544-546, 559-575, 448;
D28/76, 77, 91, 91.1
CPC B05B 11/00-3098; B65D 83/14; B65D
83/16; B65D 83/20; B65D 83/201; B65D
83/205; B65D 83/206; B65D 83/207;
B65D 83/38; B65D 83/382; B65D
83/384; B65D 83/386; B65D 83/40;
B65D 83/42; B65D 83/75; B65D 83/752;
A45D 34/02-06; A45D 2034/0002; A45D
2034/0005; A45D 2200/05-10
See application file for complete search history.

(56) **References Cited**

U.S. PATENT DOCUMENTS

D329,983 S *	10/1992	Griffin	D9/445
D365,020 S *	12/1995	Dinand	D9/503
D405,358 S *	2/1999	Dapsanse	D19/901
D406,761 S *	3/1999	Garcia	D9/434
D413,257 S *	8/1999	Favre	D9/690
D413,793 S *	9/1999	Favre	D9/692
5,950,880 A *	9/1999	Garcia	B05B 11/0048
				222/256

D431,969 S *	10/2000	Hurlbut	D7/608
D456,260 S *	4/2002	Boshuizen	D9/448
D473,460 S *	4/2003	Whitworth	D9/504

(Continued)

FOREIGN PATENT DOCUMENTS

CN	3314797	*	8/2003
CN	301095925	*	12/2009

(Continued)

Primary Examiner — Catherine A Tuttle

(74) *Attorney, Agent, or Firm* — Marshall, Gerstein & Borun LLP

(57) **CLAIM**

The ornamental design for a container for packaging cosmetics, as shown and described.

DESCRIPTION

FIG. 1 is an exploded front, top, and right perspective view showing our new design for a container for packaging cosmetics;

FIG. 2 is a perspective view similar to FIG. 1 but with the cap element omitted for convenience;

FIG. 3 is a front elevation view of FIG. 2;

FIG. 4 is a rear elevation view of FIG. 2;

FIG. 5 is a left side elevation view of FIG. 2;

FIG. 6 is a right side elevation view of FIG. 2;

FIG. 7 is an enlarged scale top plan view of FIG. 2;

FIG. 8 is an enlarged scale bottom plan view of FIG. 2;

FIG. 9 is a front, top, and right perspective view shown with the cap in place;

FIG. 10 is a front elevation view of FIG. 9;

FIG. 11 is a rear elevation view of FIG. 9;

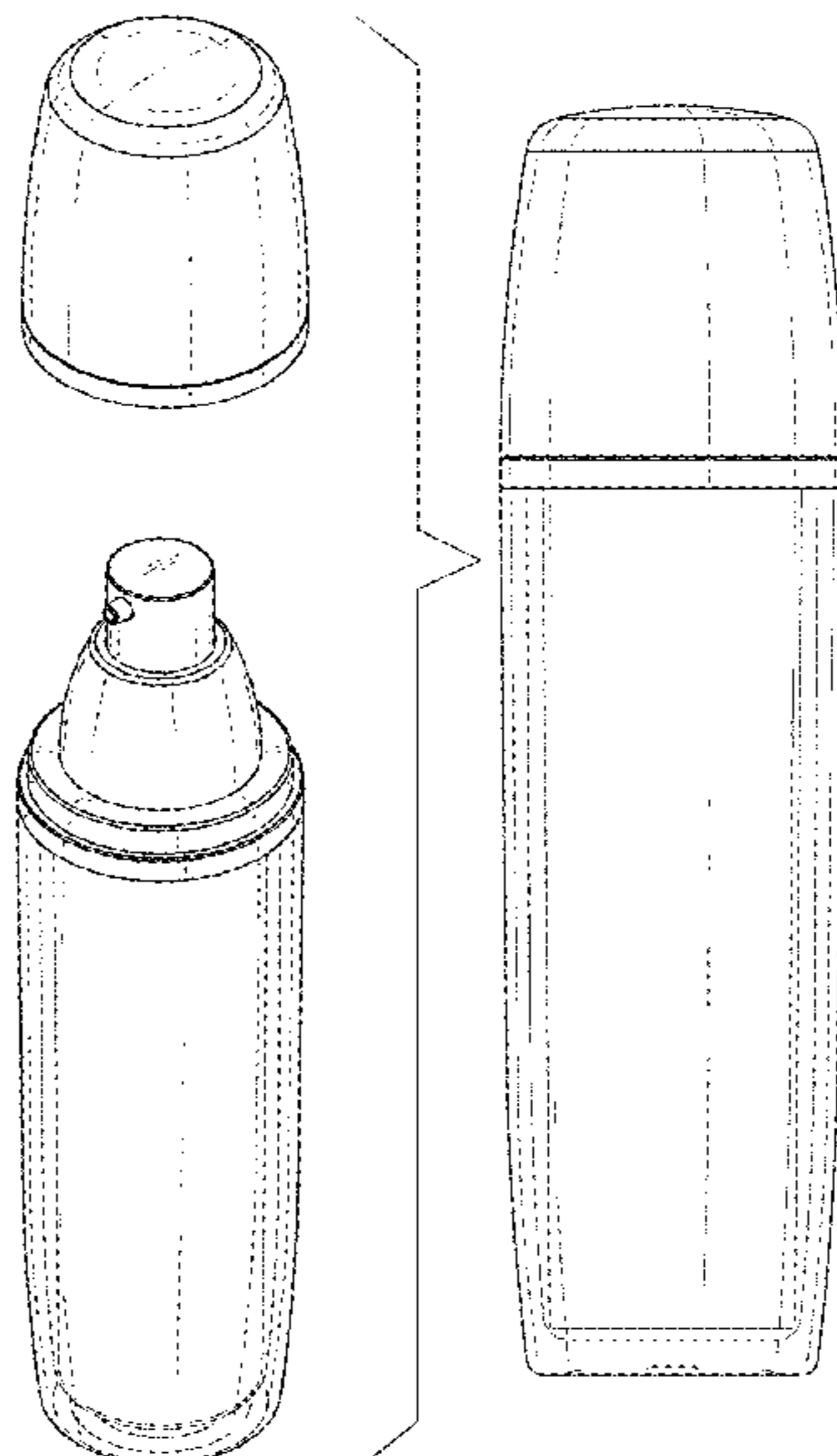
FIG. 12 is a left side elevation view of FIG. 9;

FIG. 13 is a right side elevation view of FIG. 9;

FIG. 14 is an enlarged scale top plan view of FIG. 9; and,

FIG. 15 is an enlarged scale bottom plan view of FIG. 9.

1 Claim, 15 Drawing Sheets



(56)

References Cited

U.S. PATENT DOCUMENTS

D570,707 S	*	6/2008	Blasko	D9/689
D589,361 S	*	3/2009	Murata	D9/689
D615,874 S	*	5/2010	Nagata	D9/448
D637,910 S	*	5/2011	Yeung	D9/504
D639,180 S	*	6/2011	Shiota	D9/689
D646,583 S	*	10/2011	Mongeon	D9/689
D650,673 S	*	12/2011	Baek	D9/504
D650,674 S	*	12/2011	Baek	D9/504
D651,918 S	*	1/2012	Daniels	D9/691
D683,238 S	*	5/2013	You	D9/688
D715,156 S	*	10/2014	Park	D9/688
D820,110 S	*	6/2018	Burrowes	D9/690

FOREIGN PATENT DOCUMENTS

CN	301622784	*	7/2011
CN	301732958	*	11/2011
CN	301894181	*	4/2012
CN	302338870	*	3/2013
CN	302787366	*	4/2014
CN	303245729	*	6/2015
CN	303245730	*	6/2015
CN	303413674	*	10/2015
CN	303421801	*	10/2015
CN	304216584	*	7/2017
KR	300524631.0000	*	4/2009
KR	300550657.0000	*	1/2010
KR	300575051.0000	*	10/2010
KR	300631547.0000	*	3/2012
KR	300681138.0000	*	2/2013
KR	300940051.0000	*	1/2018

* cited by examiner

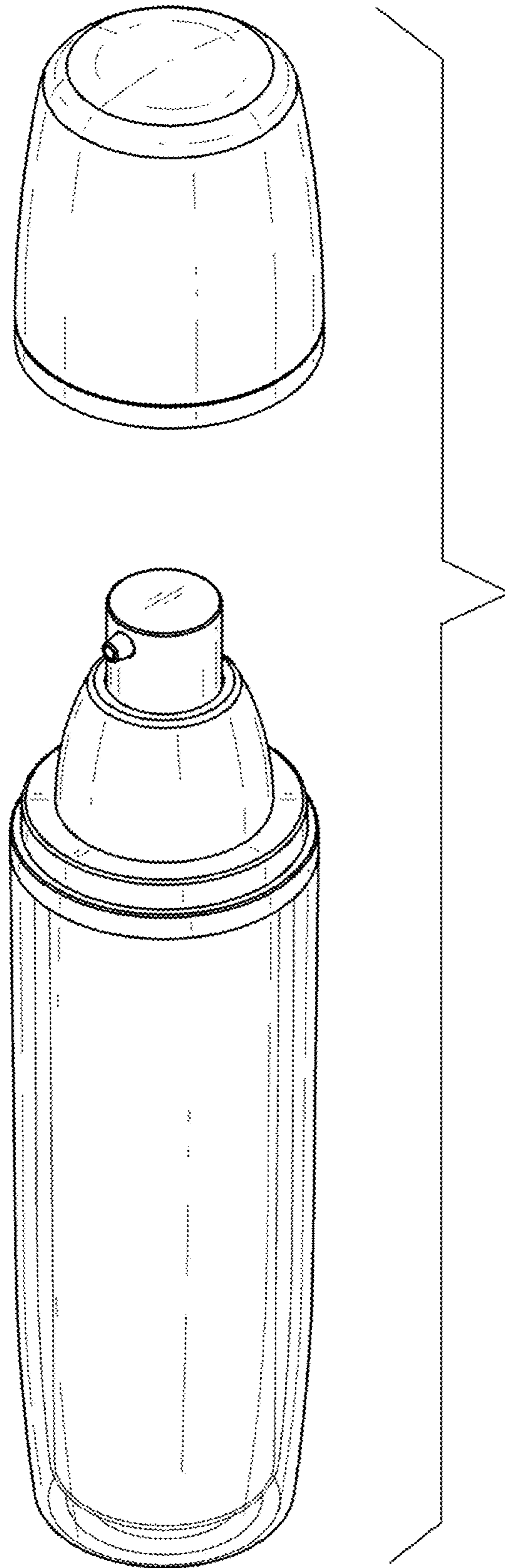


FIG. 1

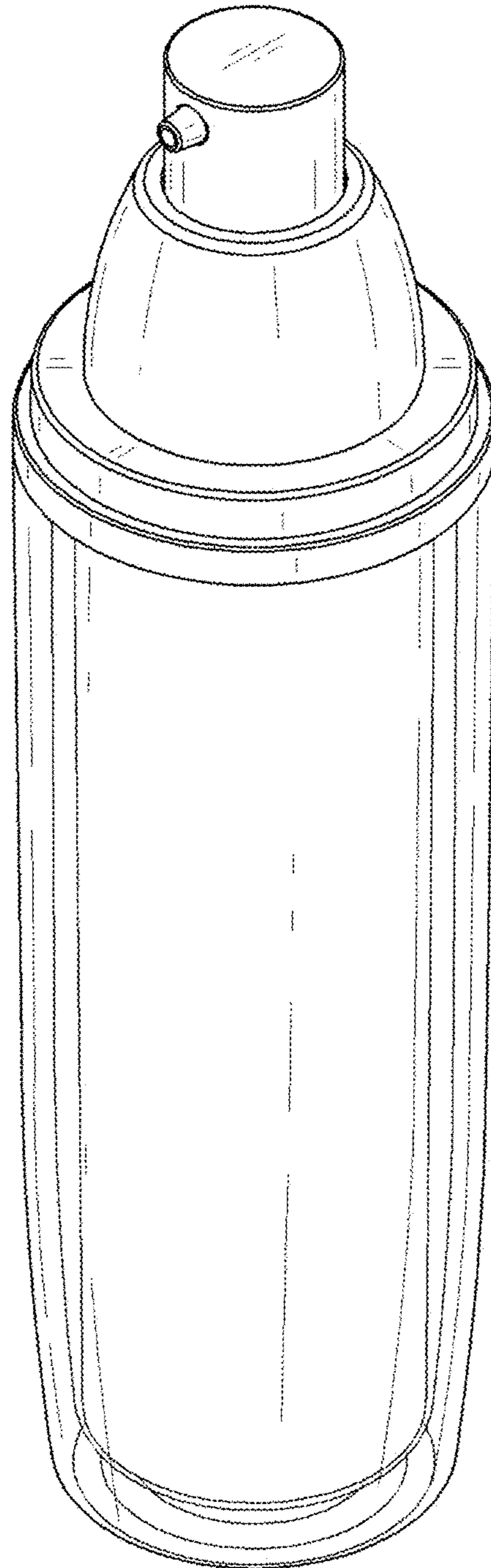


FIG. 2

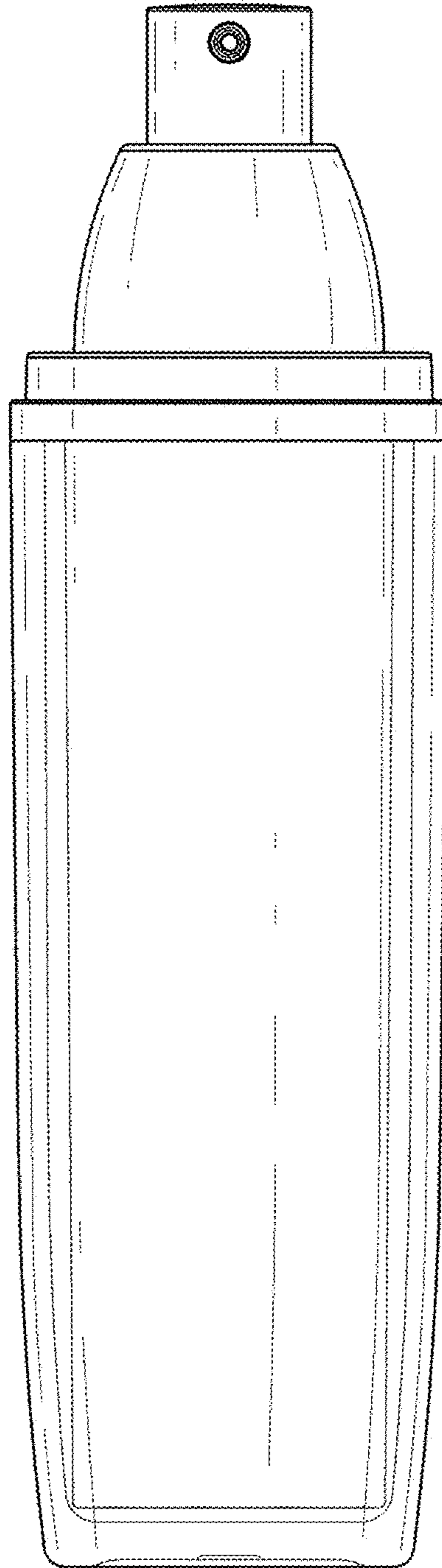


FIG. 3

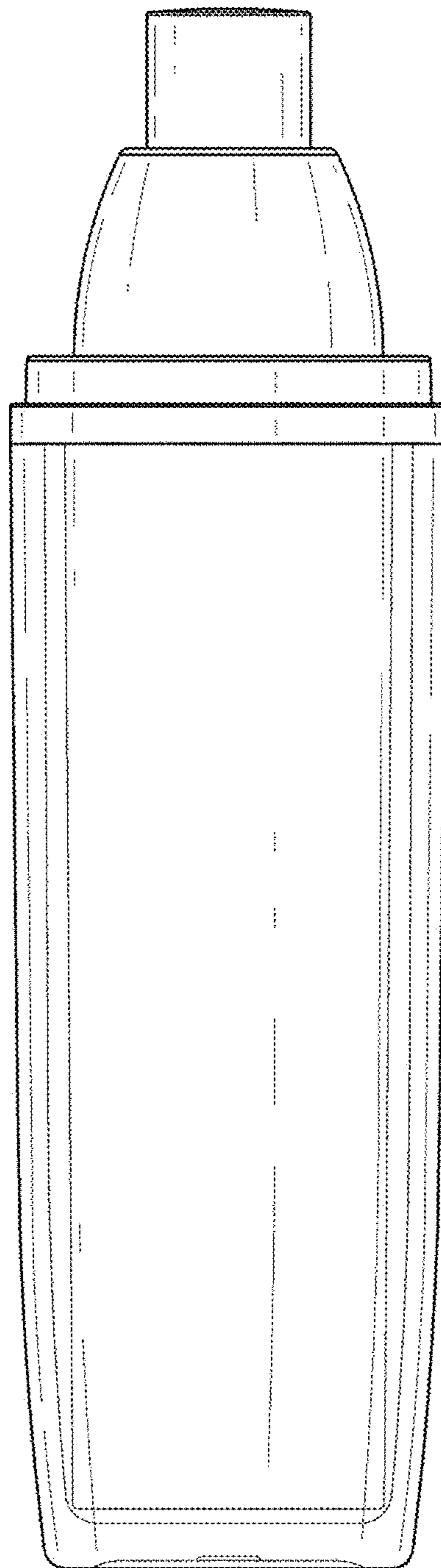


FIG. 4

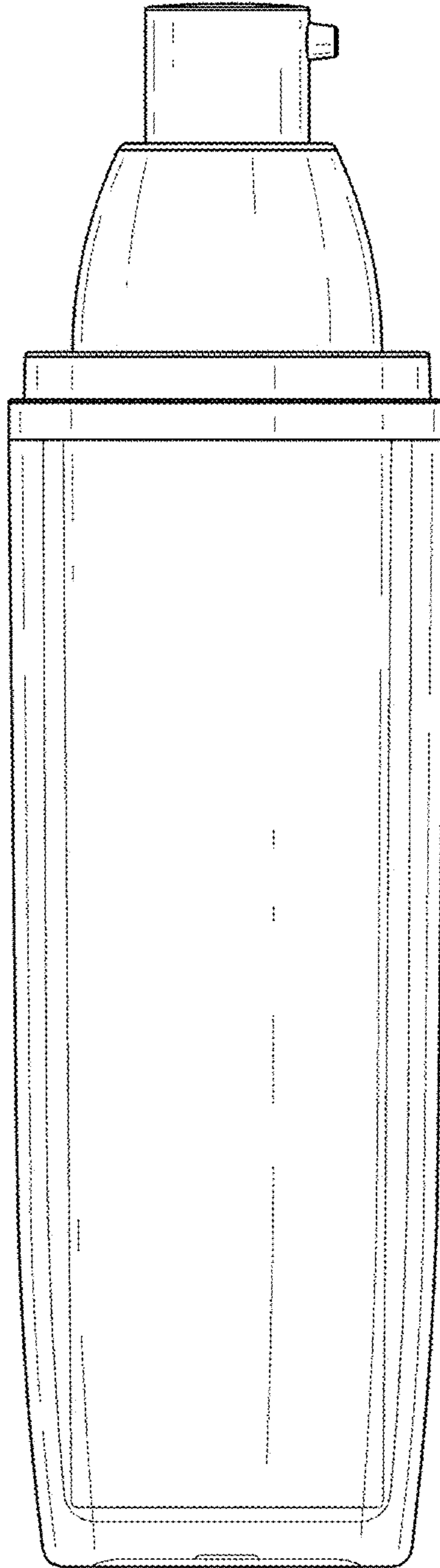


FIG. 5

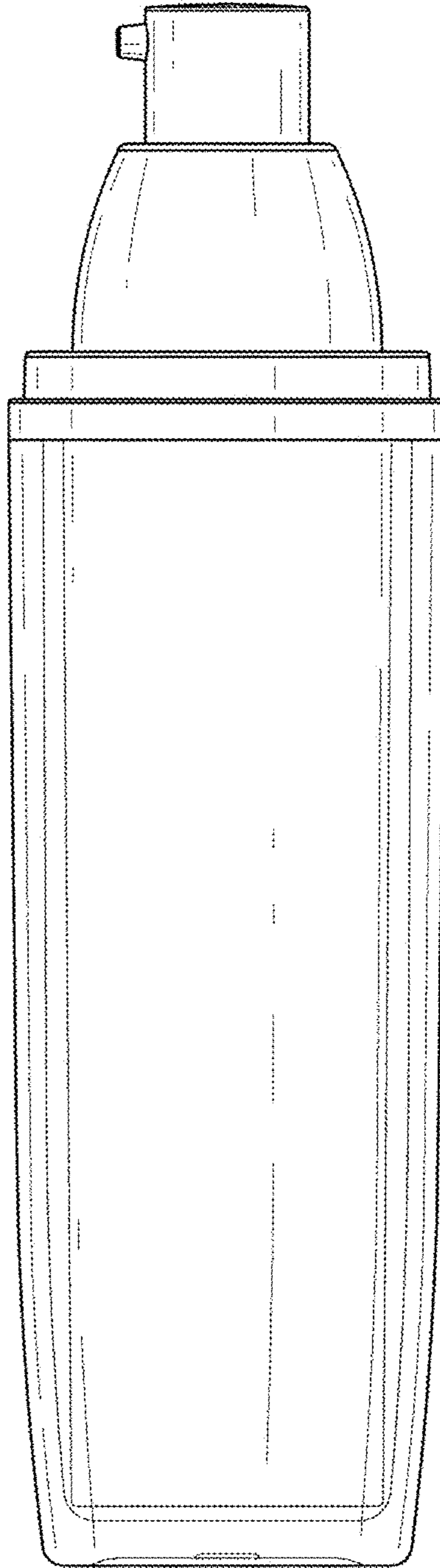


FIG. 6

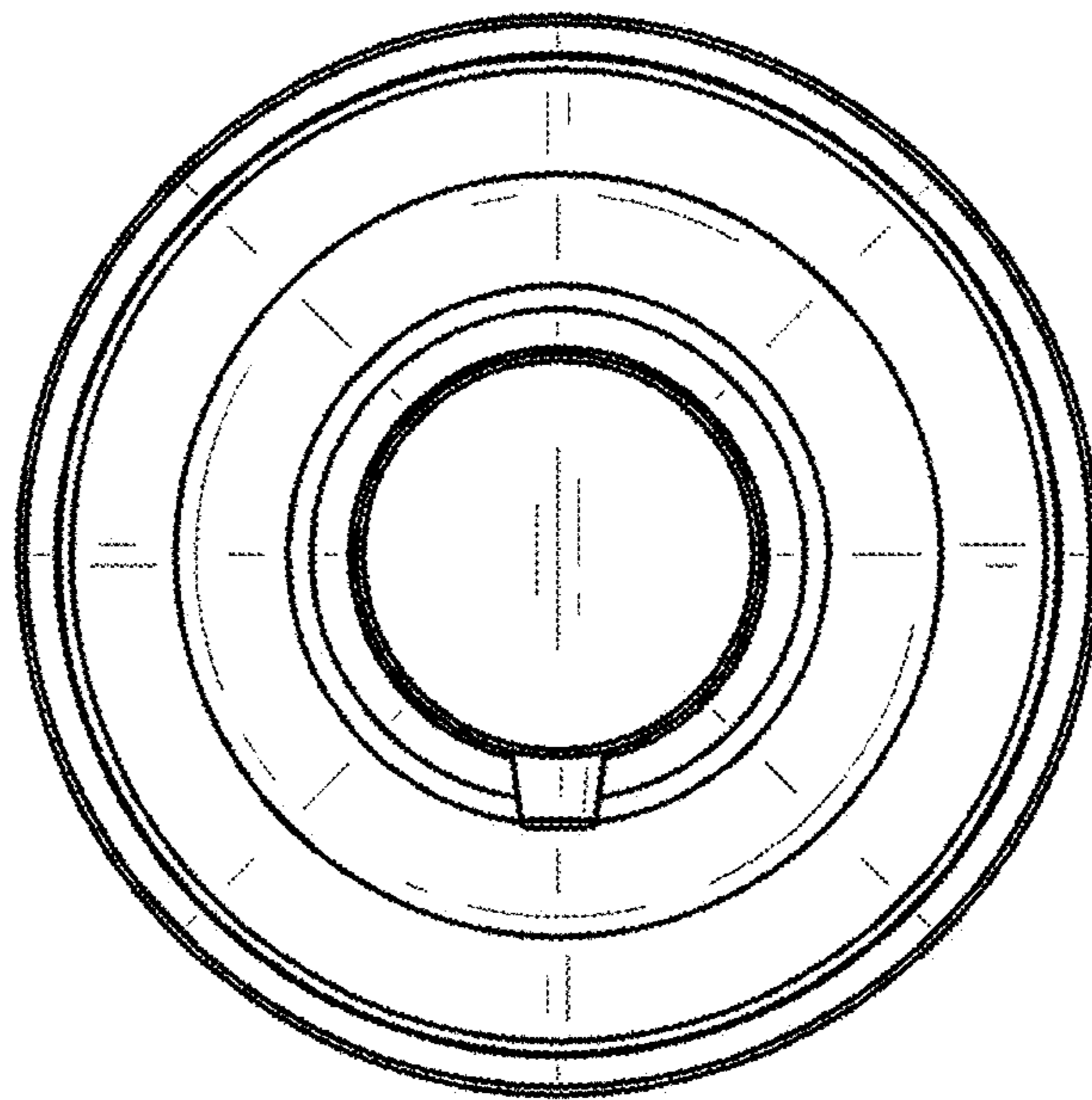


FIG. 7

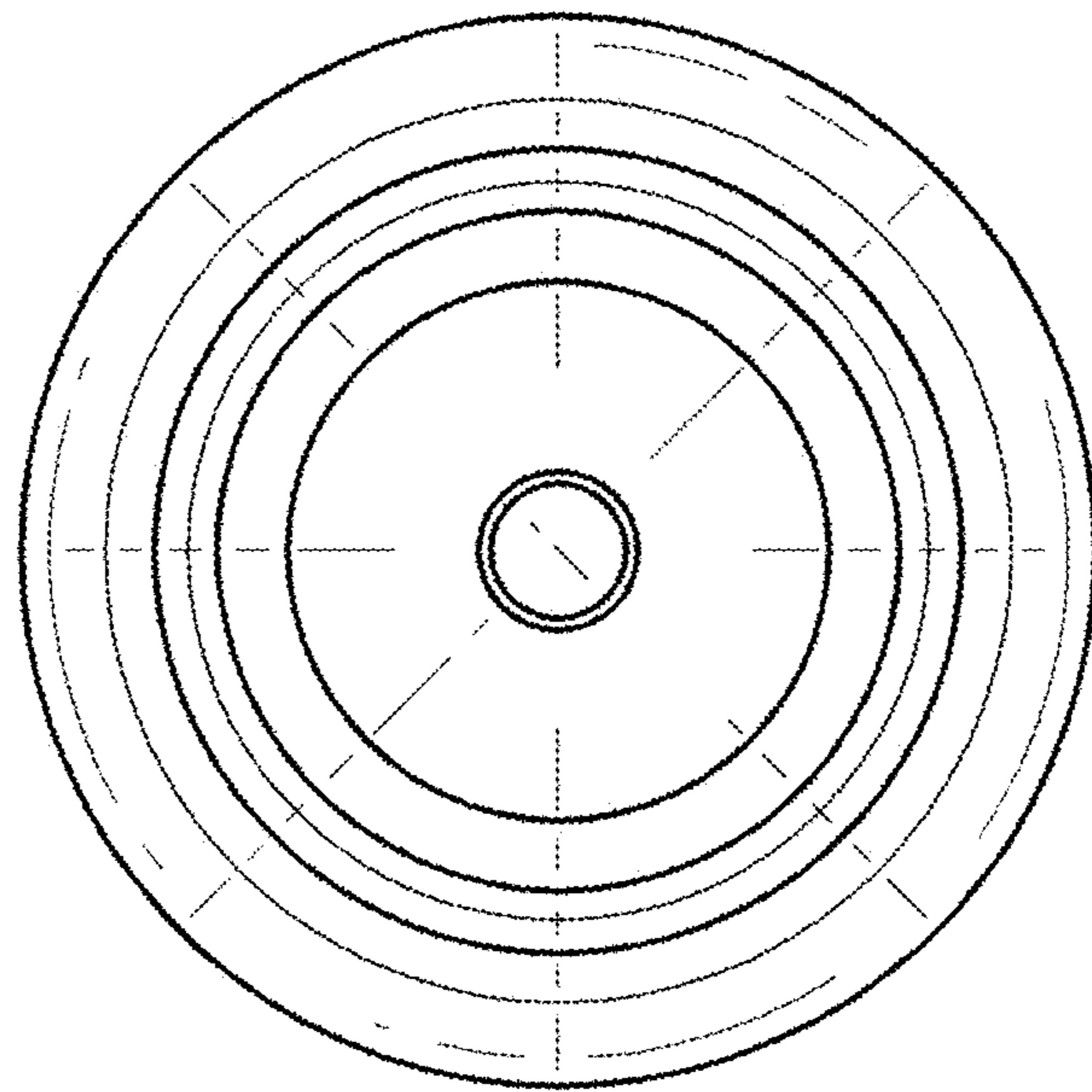


FIG. 8

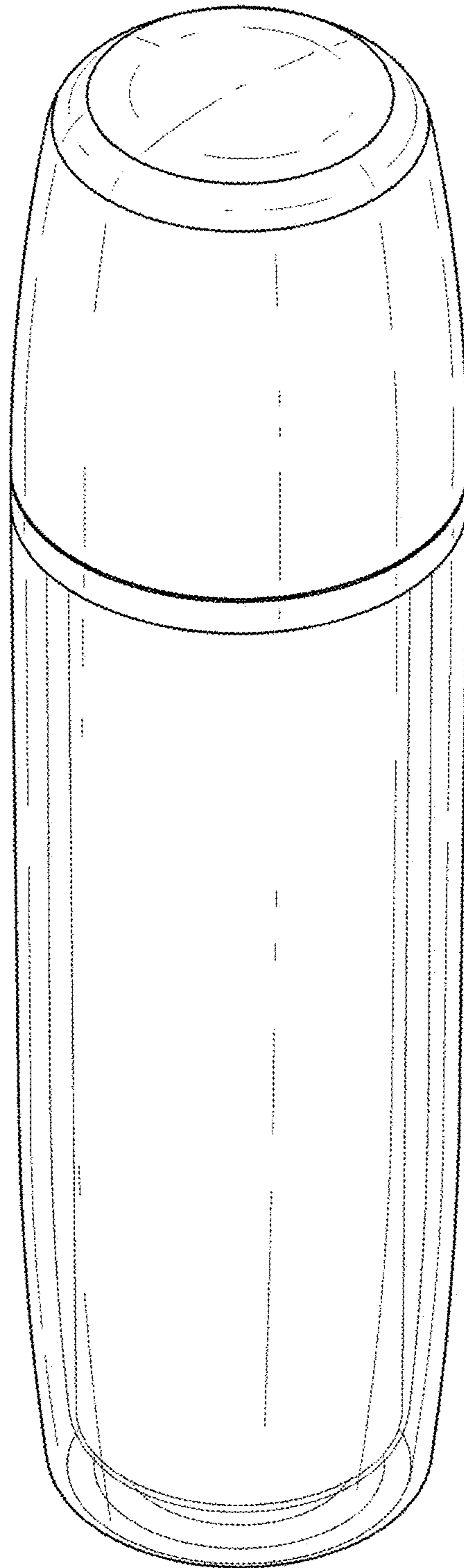


FIG. 9

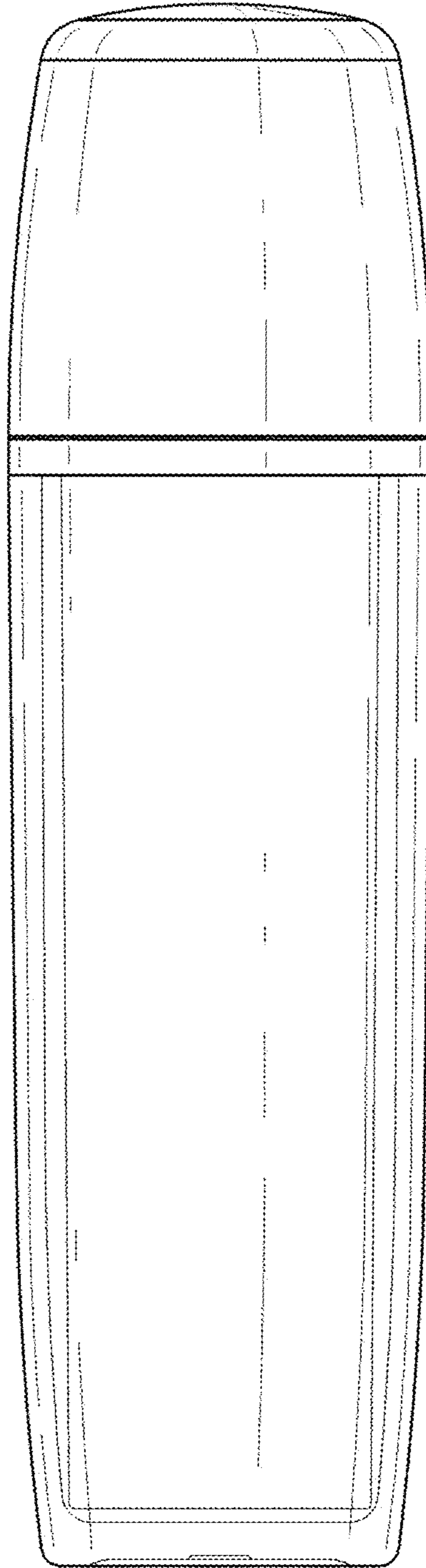


FIG. 10

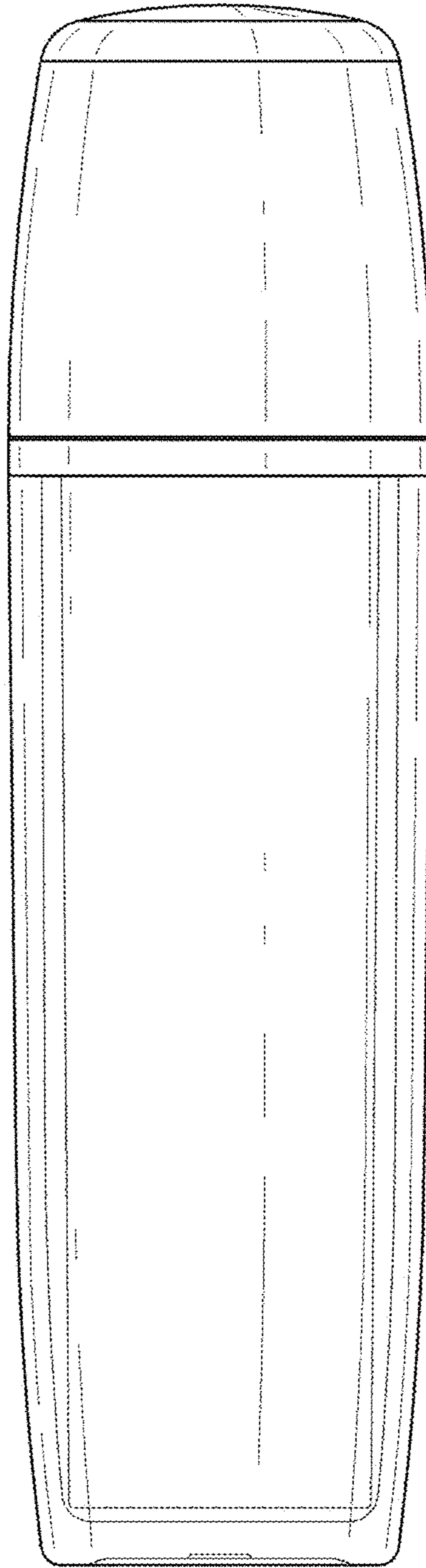


FIG. 11

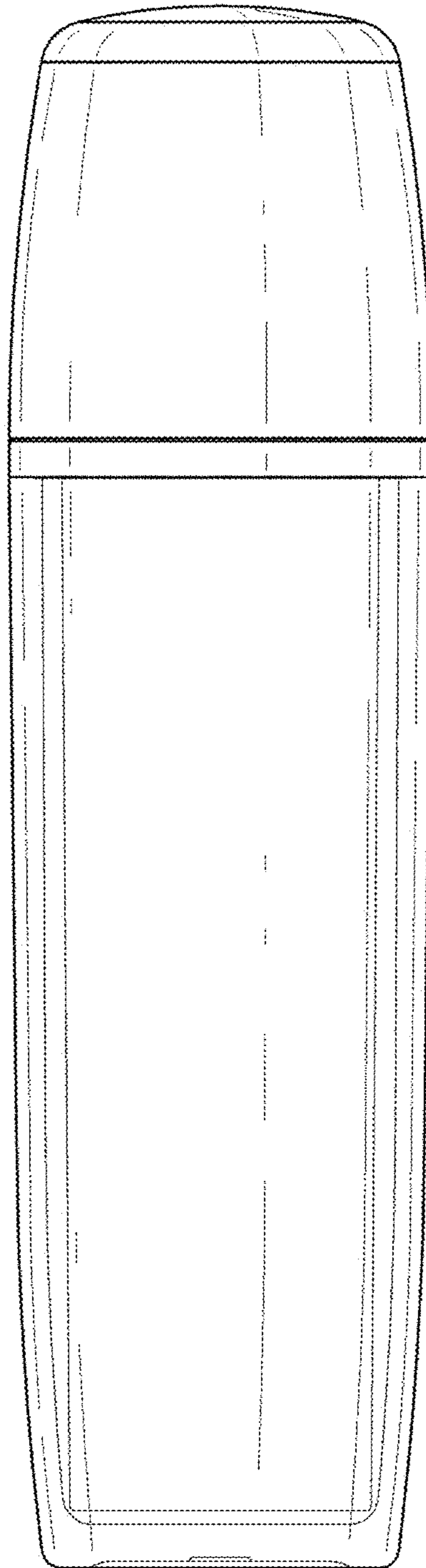


FIG. 12

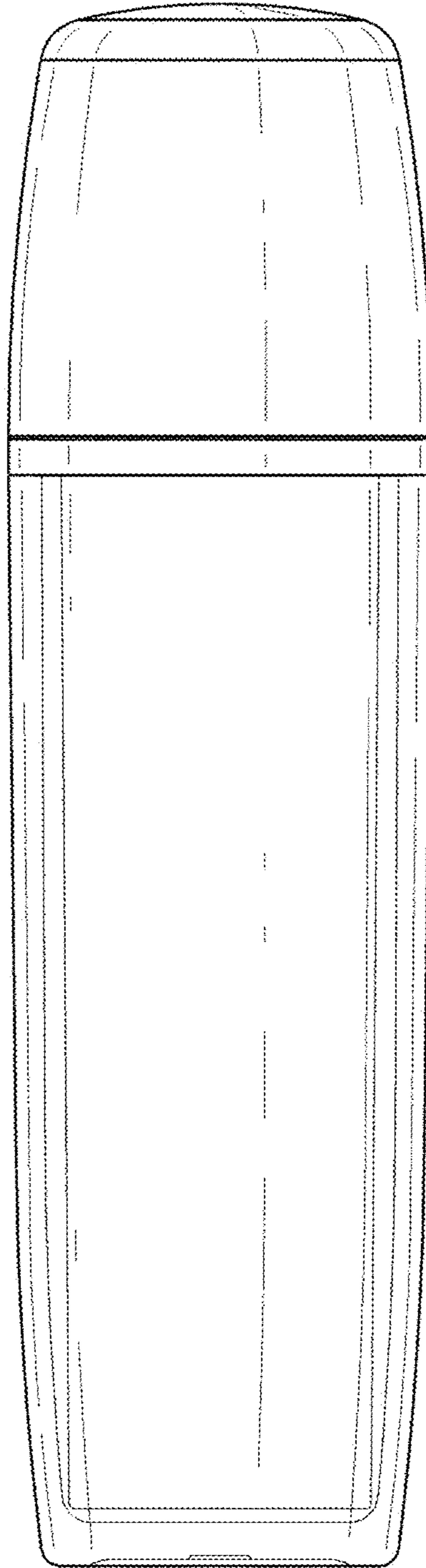


FIG. 13

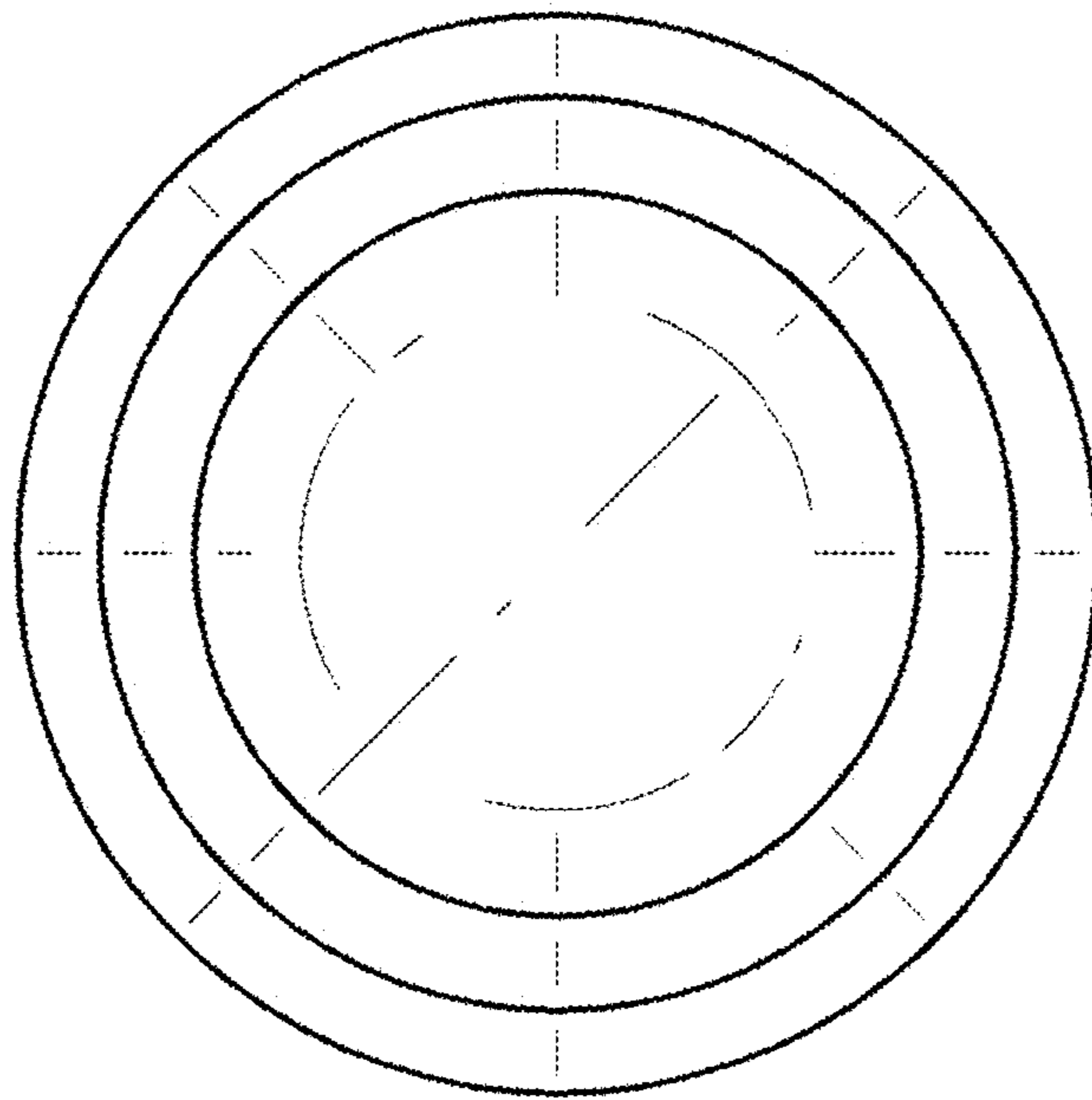


FIG. 14

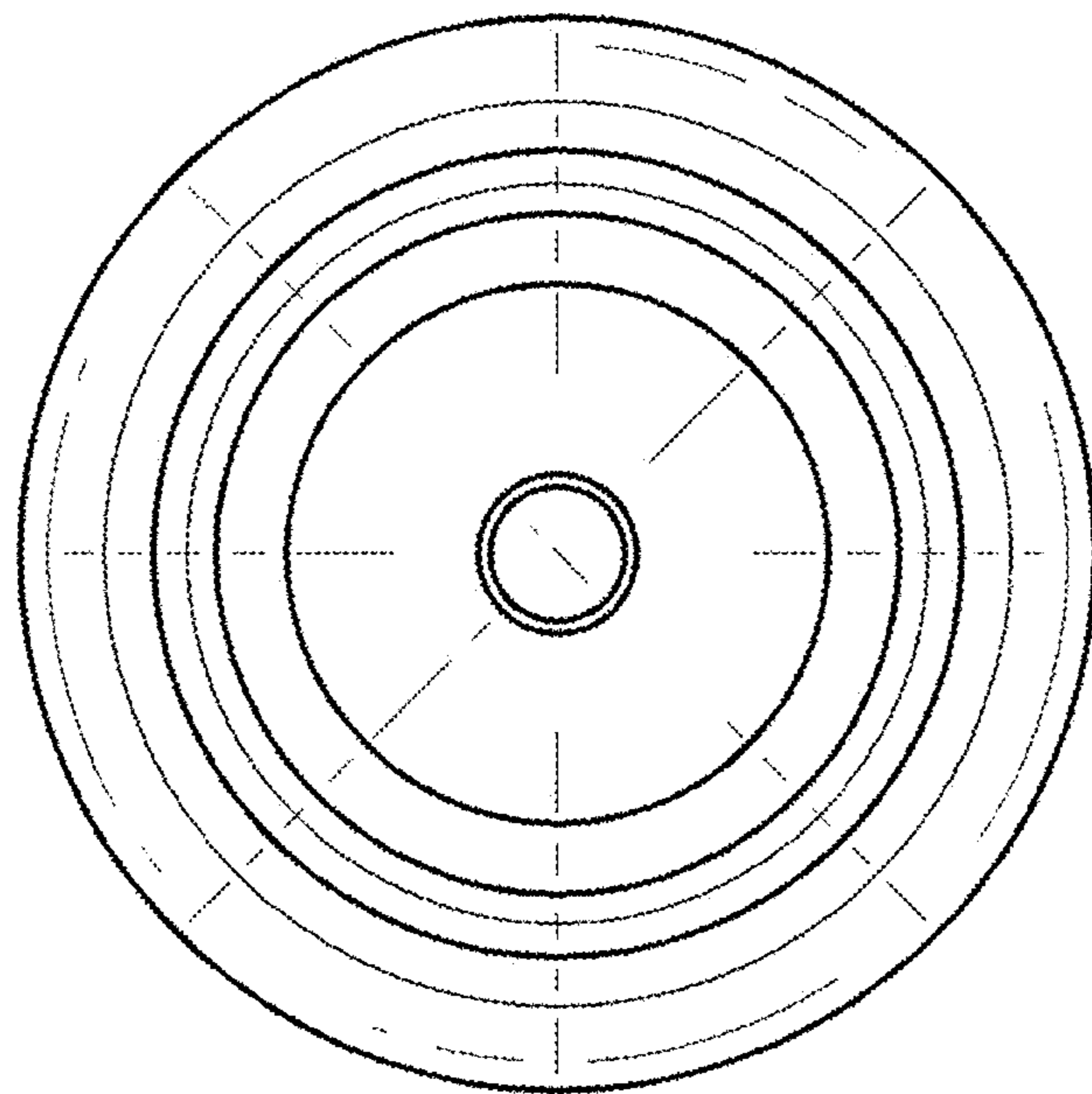


FIG. 15