



US00D875544S

(12) **United States Design Patent** (10) **Patent No.:** **US D875,544 S**
Peters et al. (45) **Date of Patent:** **** Feb. 18, 2020**

(54) **FOOTBALL-SHAPED CONTAINER**
(71) Applicant: **Cool Ideas, LLC**, Fairhaven, MA (US)
(72) Inventors: **Kristopher J. Peters**, Fairhaven, MA (US); **Paul E. Jewett**, Whitman, MA (US)
(73) Assignee: **Cool Ideas, LLC**, Fairhaven, MA (US)
(**) Term: **15 Years**

D249,438 S 9/1978 Meier et al.
4,164,284 A 8/1979 Witt et al.
D266,436 S 10/1982 Smith
D275,922 S 10/1984 Weil
D279,643 S 7/1985 Jensen
D297,898 S 10/1988 Hung
D298,105 S 10/1988 Lamantia, Jr.
D323,602 S 2/1992 Katz
D326,193 S * 5/1992 Haugabook D9/643
D332,741 S 1/1993 Turner
D340,078 S 10/1993 Turner
(Continued)

(21) Appl. No.: **29/663,784**
(22) Filed: **Sep. 19, 2018**
(51) **LOC (12) Cl.** **09-01**
(52) **U.S. Cl.**
USPC **D9/668**
(58) **Field of Classification Search**
USPC D7/514-520, 539, 571, 301, 599, 604,
D7/613, 619.2, 623, 625, 628, 392.1;
D9/600, 643, 668, 500-516, 414-434;
206/494, 457, 459.1, 459.2; 220/890;
215/206, 260, 387-400; D21/712;
D3/270-271.9
CPC B65D 67/00; B65D 81/36; B65D 81/366;
B65D 41/00; B65D 41/02; B65D 43/00;
B65D 43/02; B65D 5/42; A63B 59/50;
A63H 33/10
See application file for complete search history.

OTHER PUBLICATIONS

Football-Shaped Candy Containers, published Feb. 3, 2013. https://www.trendhunter.com/trends/footballshaped-candy-containers.*
(Continued)

Primary Examiner — Sandra L Morris
(74) *Attorney, Agent, or Firm* — Burns & Levinson LLP;
Orlando Lopez; Marlo Schepper Grolnic

(57) **CLAIM**

The ornamental design for a football-shaped container, as shown and described.

DESCRIPTION

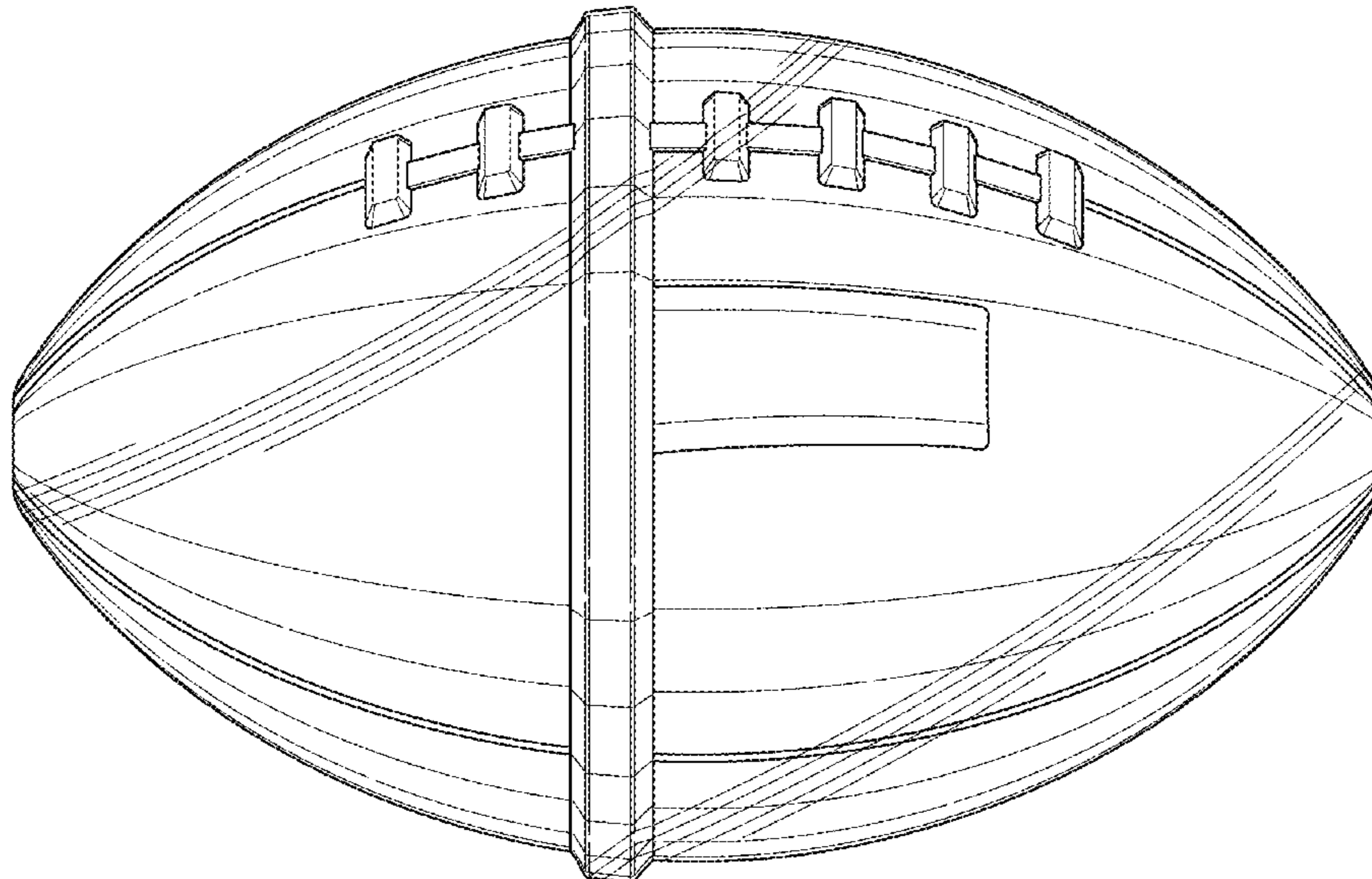
FIG. 1 is a top/right side view of the football-shaped container of our invention;
FIG. 2 is a front view of the football-shaped container;
FIG. 3 is a rear view of the football-shaped container;
FIG. 4 is a right side view of the football-shaped container;
FIG. 5 is a left side view of the football-shaped container;
FIG. 6 is a top view the football-shaped container;
FIG. 7 is a bottom view of the football-shaped container;
FIG. 8 is an exploded, right side view of the football-shaped container; and,
FIG. 9 is an exploded, right side perspective view of the football-shaped container.

1 Claim, 9 Drawing Sheets

(56) **References Cited**

U.S. PATENT DOCUMENTS

D145,800 S 10/1946 House, Jr.
D204,477 S 4/1966 Wood
D212,818 S 11/1968 Flaherty
3,624,939 A 12/1971 Gossard
D228,328 S 9/1973 Schley et al.
D231,301 S 4/1974 Krieger et al.
D236,397 S * 8/1975 Kramer D6/699
D243,648 S 3/1977 Conroy



(56)

References Cited

U.S. PATENT DOCUMENTS

D354,642 S 1/1995 Stoddard et al.
 D359,655 S 6/1995 Hurst et al.
 D365,443 S * 12/1995 Wu D3/270
 D367,340 S 2/1996 Dunn
 D370,154 S 5/1996 Gruneisen, III
 D371,934 S 7/1996 Cwirko
 D377,998 S 2/1997 Dunn
 D379,137 S 5/1997 Lam
 5,662,241 A 9/1997 Sorensen
 D387,614 S 12/1997 Wilson et al.
 D411,715 S 6/1999 Hansen
 D420,003 S 2/2000 Dervish
 D424,375 S 5/2000 D'Arrigo
 D424,876 S 5/2000 McPartland
 D425,706 S 5/2000 Calderone
 D425,757 S 5/2000 Printz et al.
 D511,212 S 11/2005 Whalen
 D518,596 S 4/2006 Angeletta
 D522,710 S 6/2006 Beacham
 D541,552 S 5/2007 Weldon
 D565,288 S 4/2008 Hickman
 D575,079 S 8/2008 Hirsh
 D587,968 S 3/2009 Campbell
 D589,765 S 4/2009 Zuloff
 D604,086 S 11/2009 Lipinski et al.
 D611,777 S 3/2010 Yung
 D614,504 S 4/2010 Coat
 D621,199 S 8/2010 Lam
 D621,657 S 8/2010 Quinn
 D623,905 S 9/2010 Paslawski
 D627,233 S 11/2010 Blakeman
 D629,306 S * 12/2010 Staton D9/668
 D629,696 S 12/2010 Pedmo et al.
 7,954,634 B2 6/2011 Blakeman
 D666,048 S 8/2012 Kasswran et al.
 D666,919 S 9/2012 Gelin
 8,684,397 B2 4/2014 Blakeman

D710,152 S 8/2014 Marini
 D710,154 S 8/2014 Marini
 D711,690 S 8/2014 Sutton et al.
 D713,688 S 9/2014 Thomas
 D714,868 S 10/2014 Nash
 D718,146 S 11/2014 Tussy
 D720,926 S 1/2015 Kroupa
 D724,901 S 3/2015 Sherron
 D724,902 S 3/2015 Dickerson et al.
 D735,050 S 7/2015 Tussy
 D735,533 S 8/2015 Kolano
 9,408,779 B2 8/2016 Stewart
 D775,913 S 1/2017 Knirr
 D789,748 S 6/2017 Peters et al.
 D790,282 S * 6/2017 Price D9/668
 D800,508 S 10/2017 Peters
 D821,886 S * 7/2018 Paulin D9/668
 2011/0079526 A1 4/2011 Blakeman

OTHER PUBLICATIONS

Las Vegas Novelty Novelty Drink Containers, published Sep. 5, 2017. PBR Rock Bar football shaped drink container. <http://blog.caesars.com/las-vegas/nightlife/las-vegas-bars/novelty-drink-containers/>.*

Industrial design collection, (c) Questel, downloaded from www.orbit.com on May 29, 2015.

San Francisco 49ers Football Snack Dispenser, downloaded from www.amazon.com on May 29, 2015.

Football Shaped Snack Dispenser, downloaded from www.oempromo.com on May 29, 2015.

Post-it® Pop-up Notes Dispenser for 3 in × 3 in Notes, Football Shape, Dallas Cowboys design, downloaded from www.postit.com on May 29, 2015.

Football Shaped Plastic Candy/Snack Dispenser—Clear Football—Blue & Red Base, downloaded from www.ebay.com on May 29, 2015.

* cited by examiner

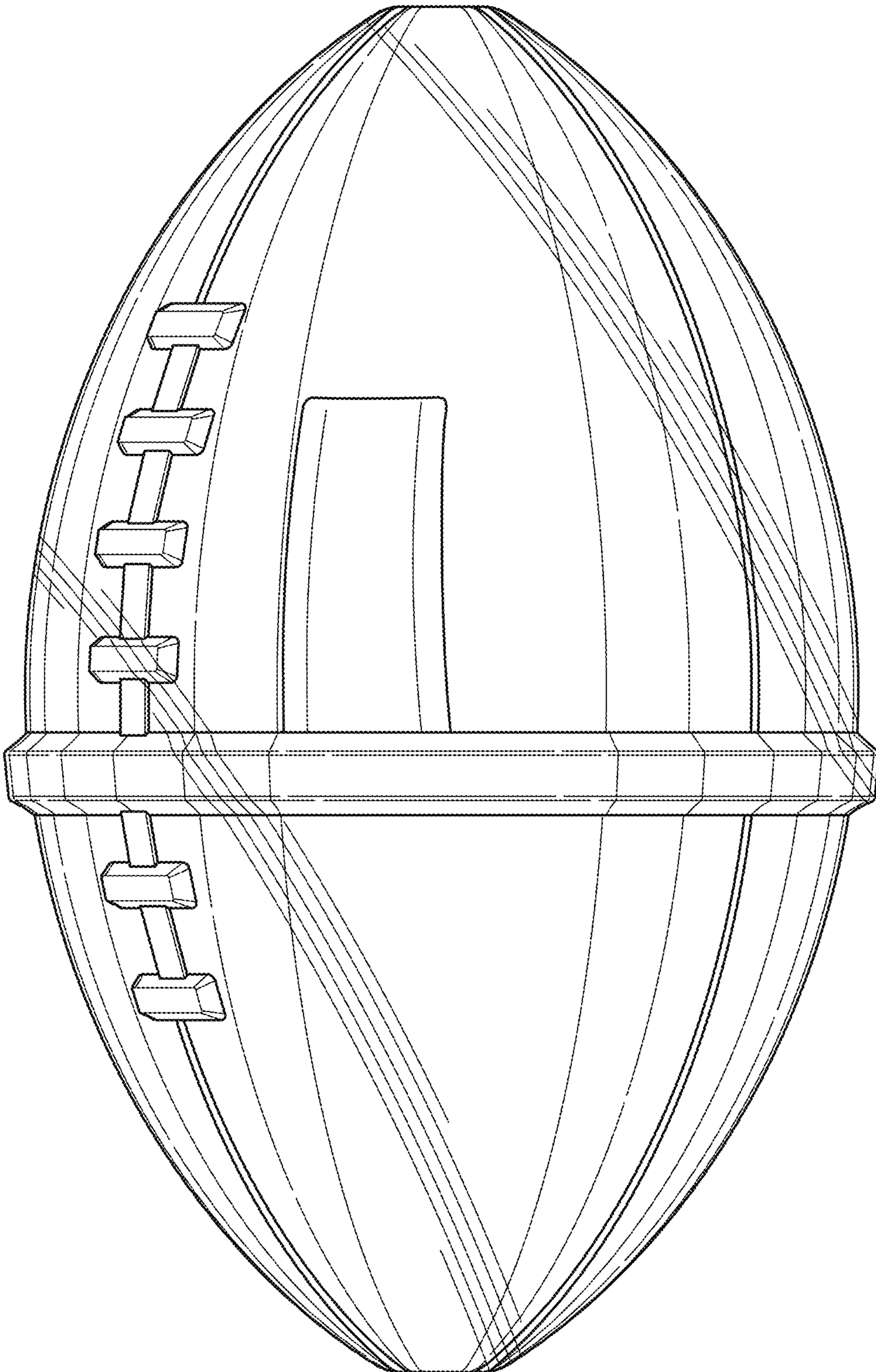


FIG. 1

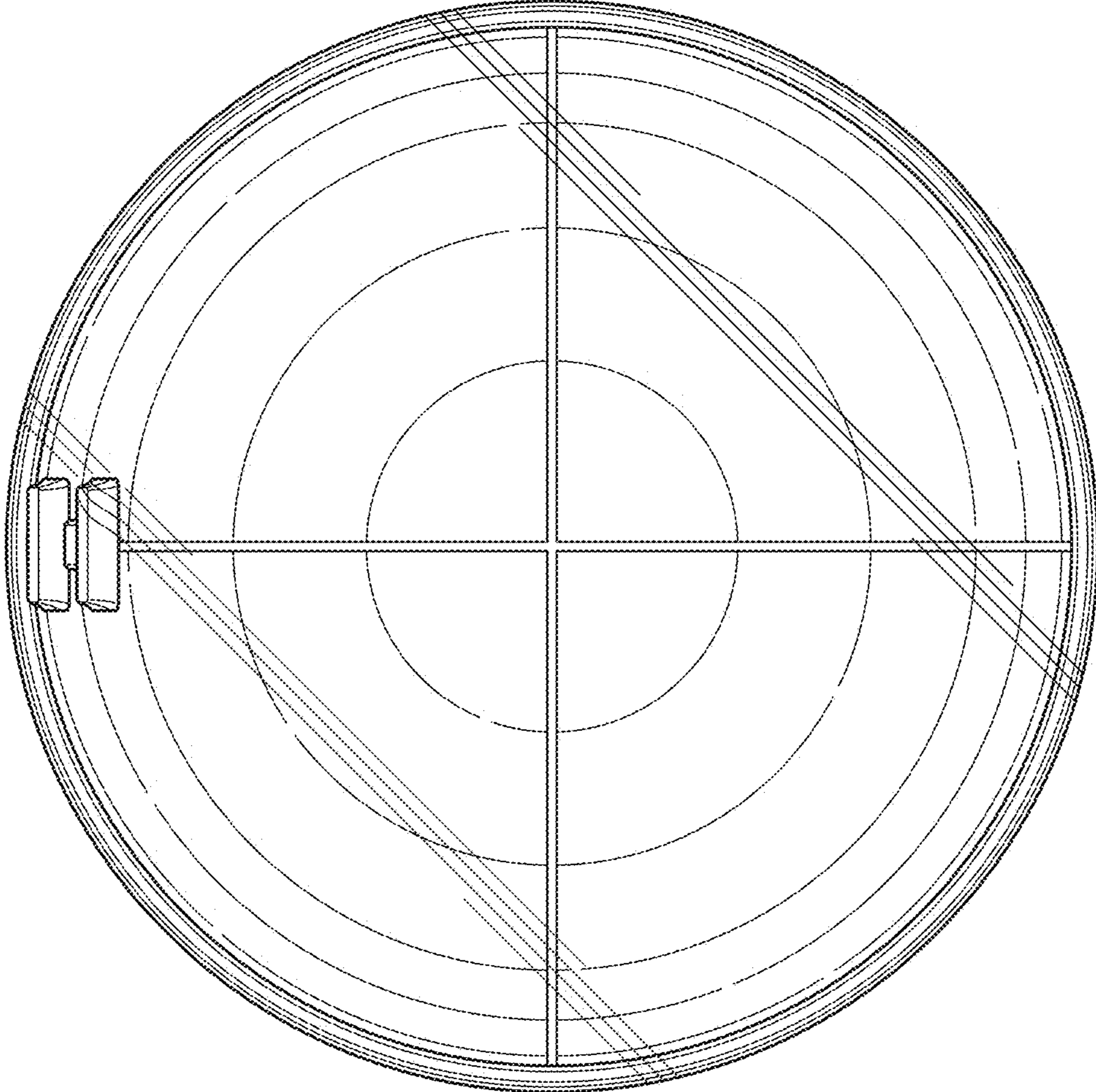


FIG. 2

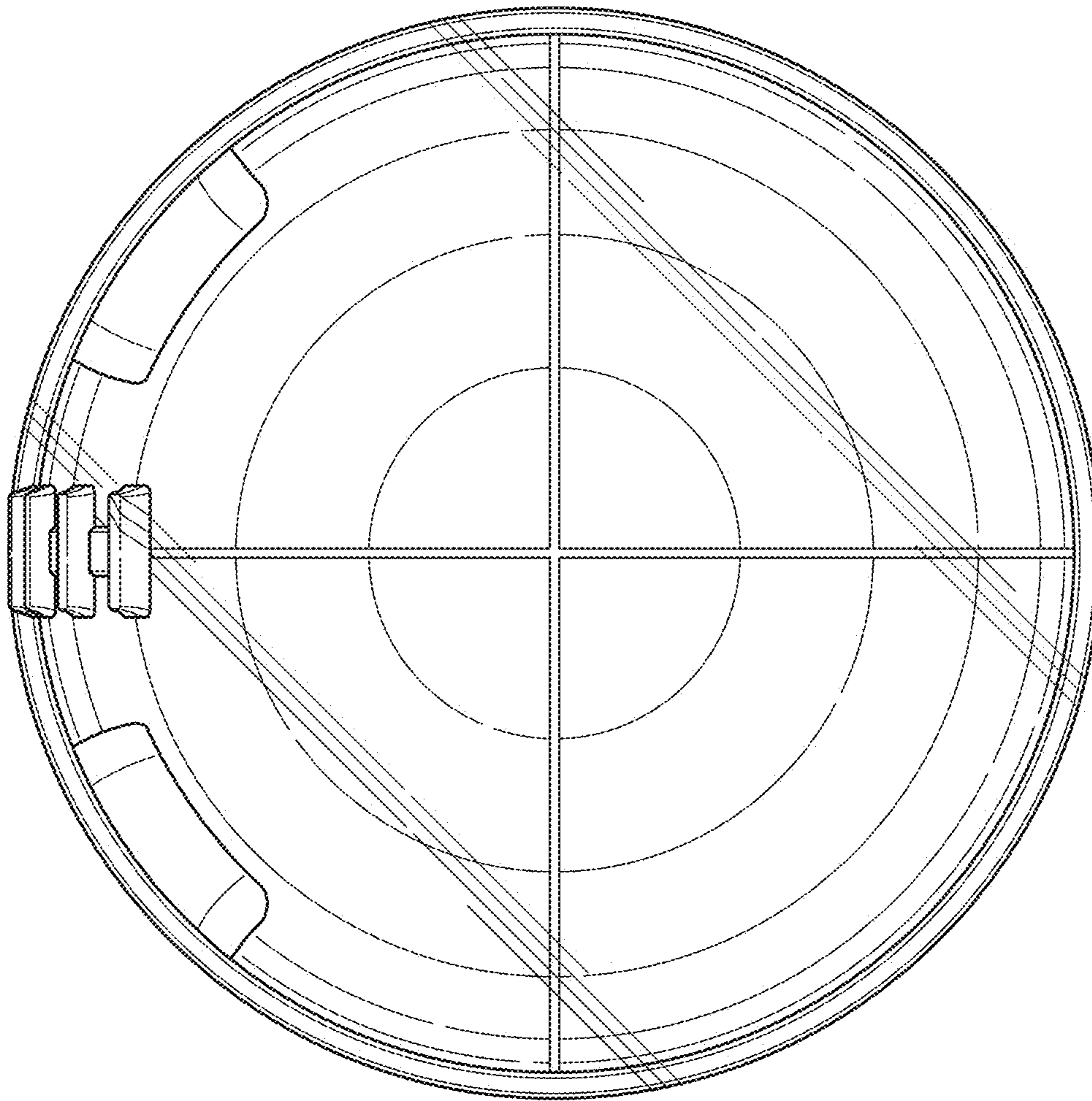


FIG. 3

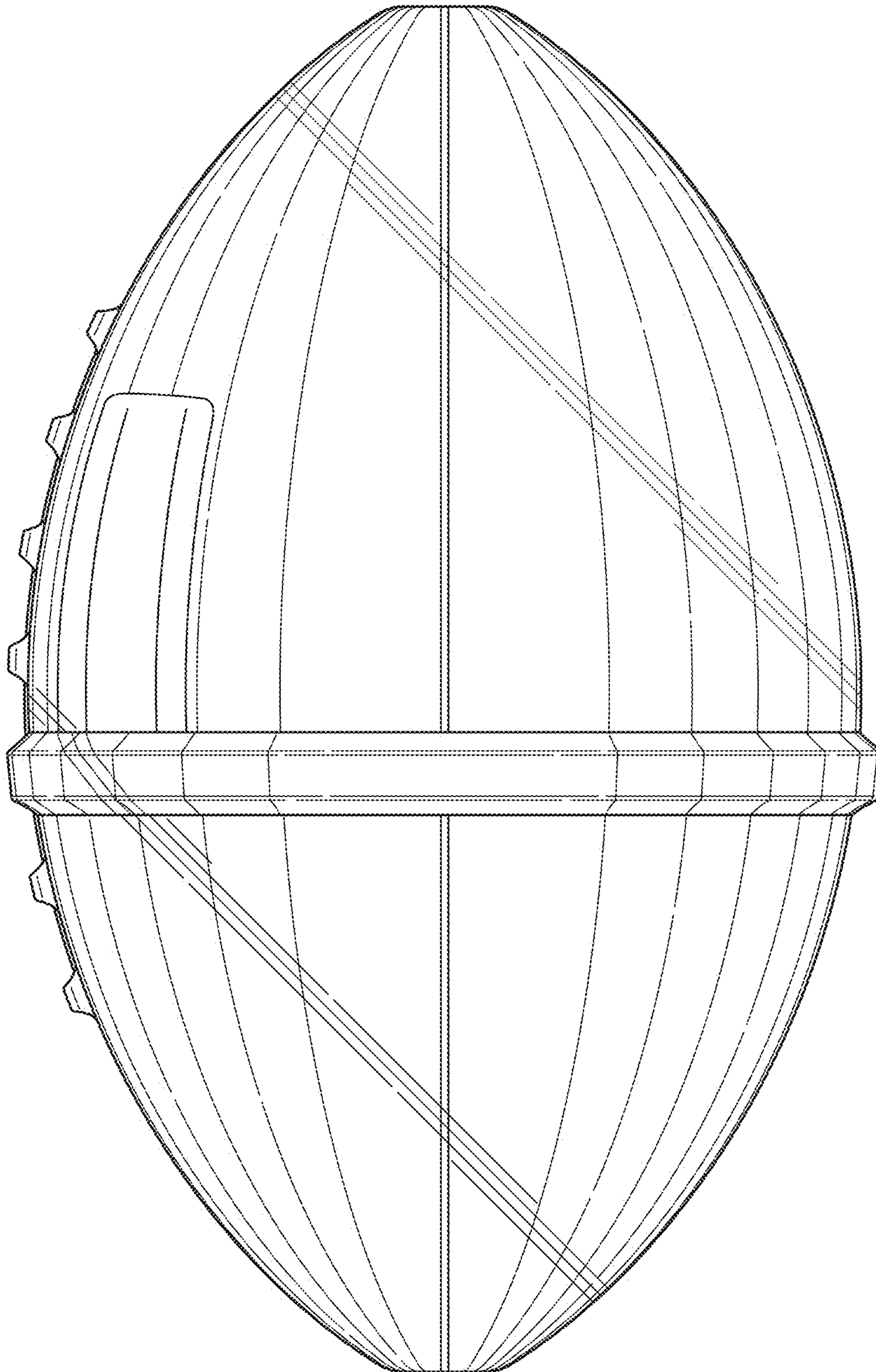


FIG. 4

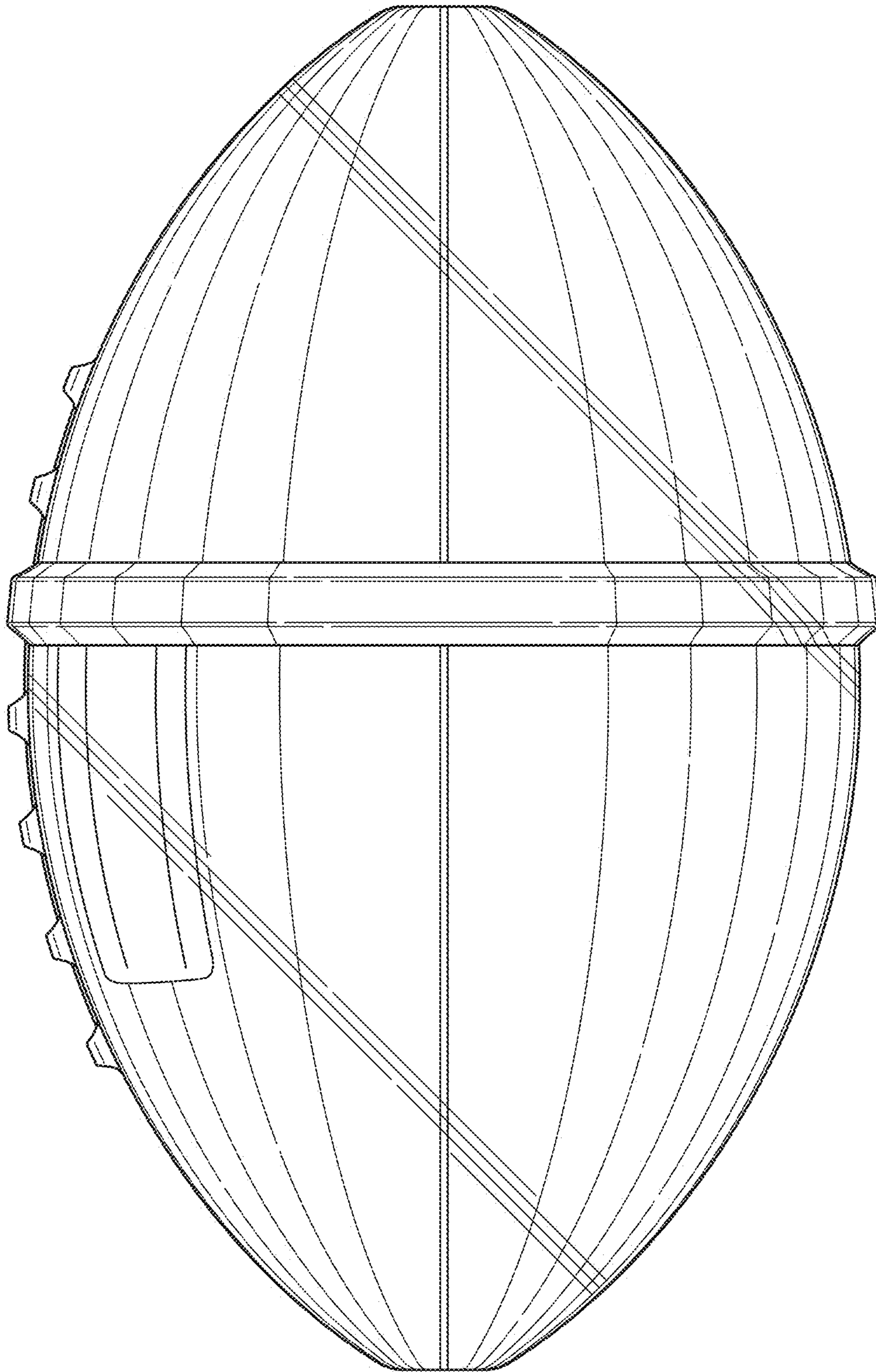


FIG. 5

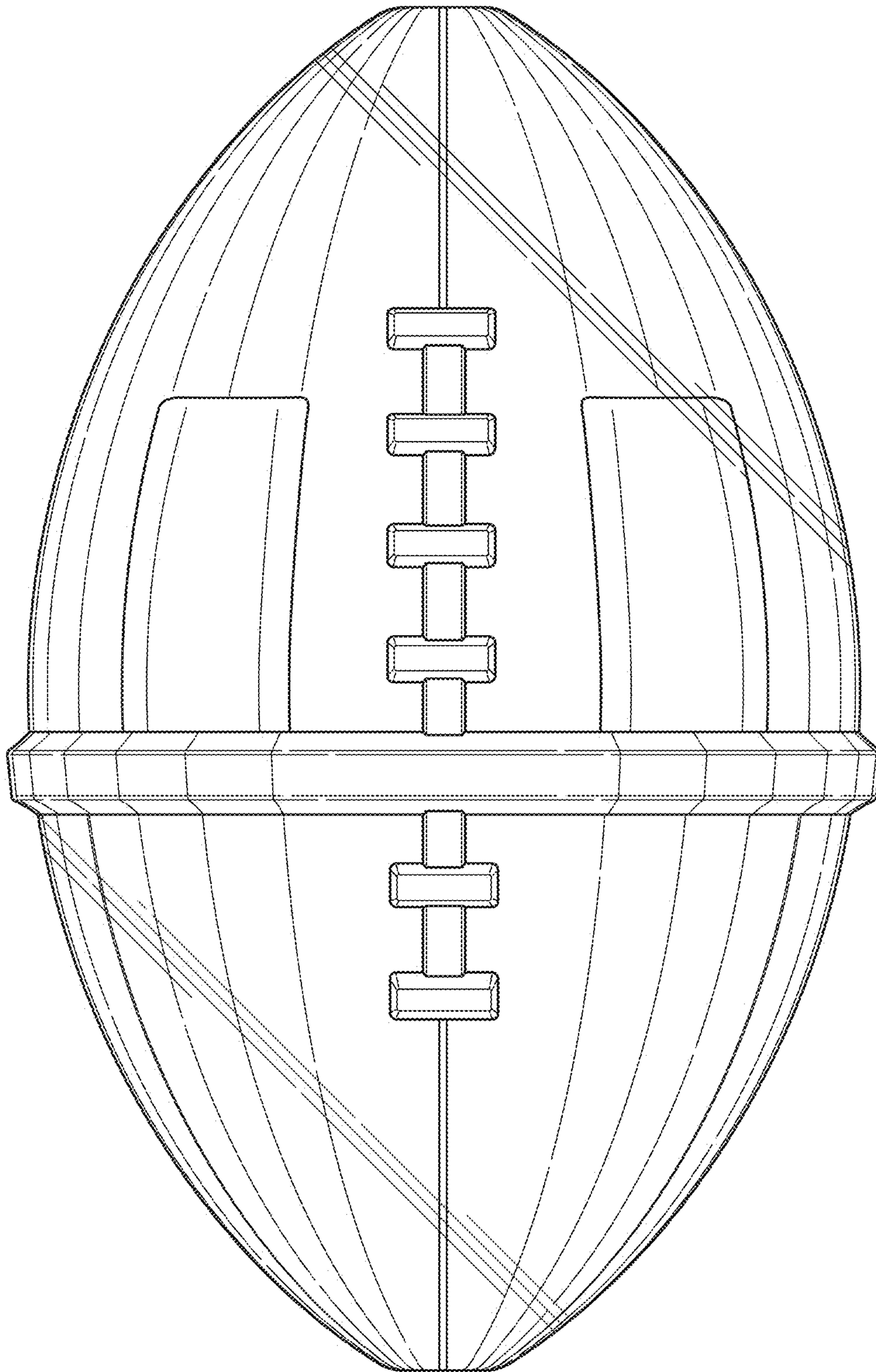


FIG. 6

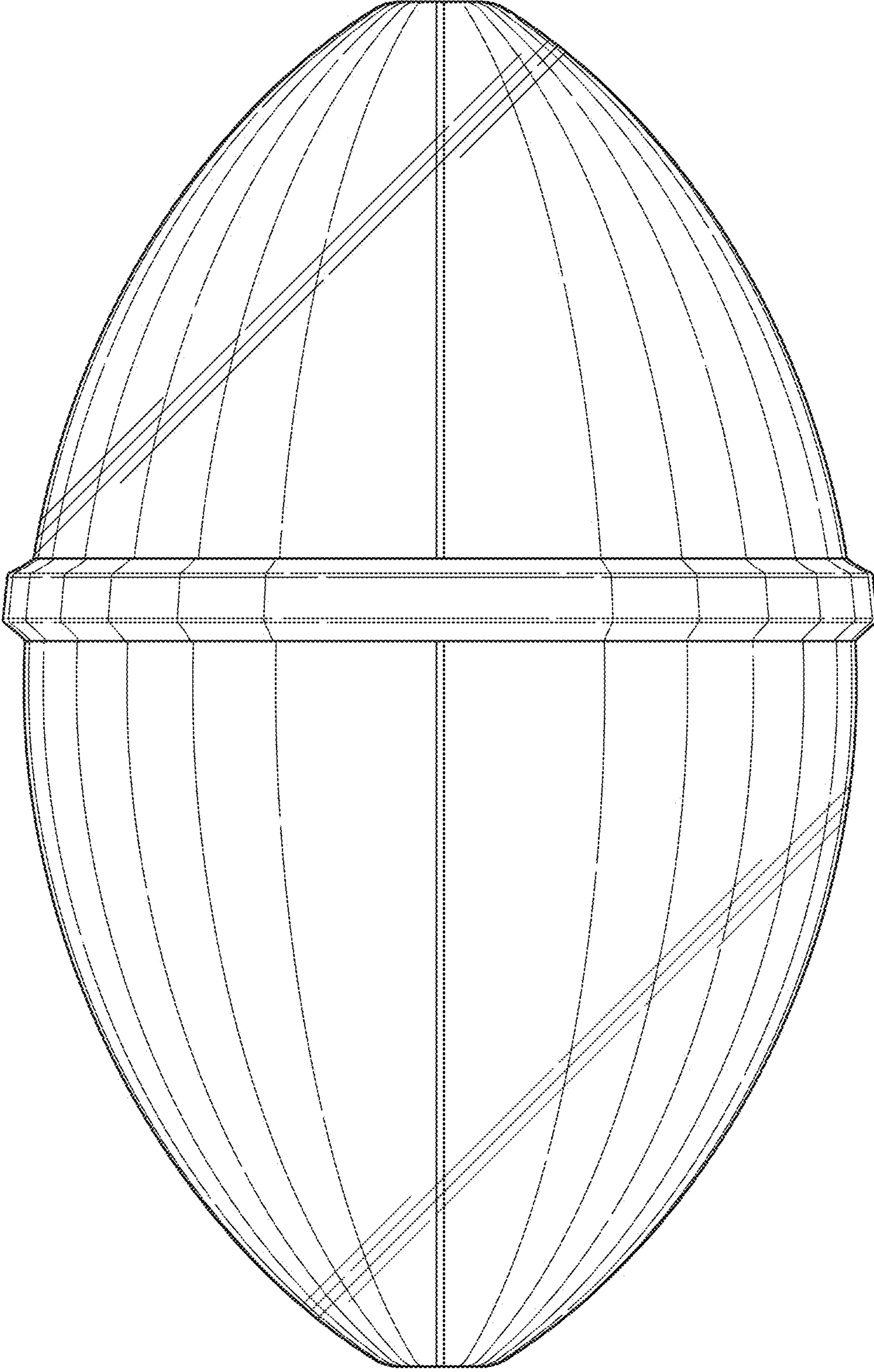


FIG. 7

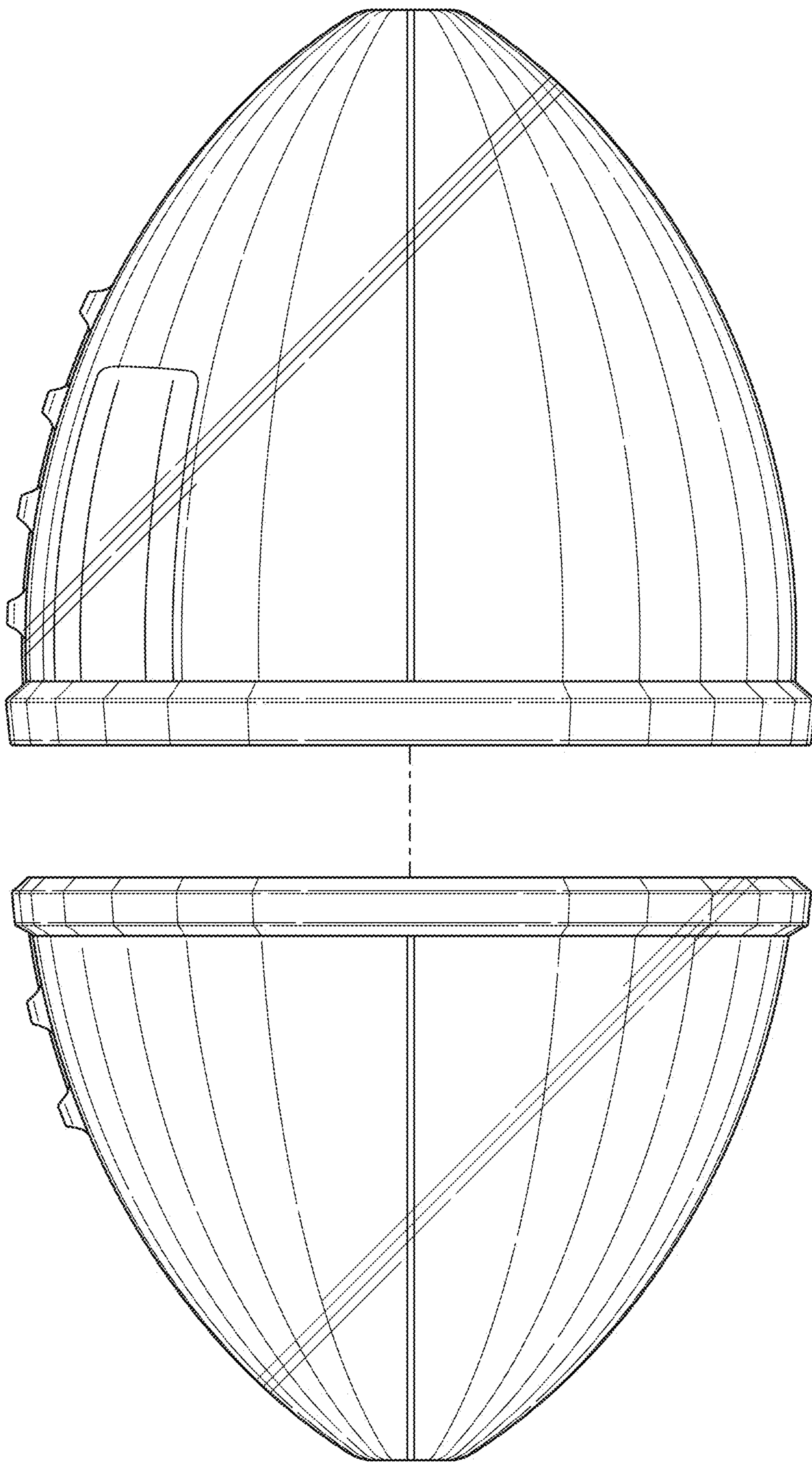


FIG. 8

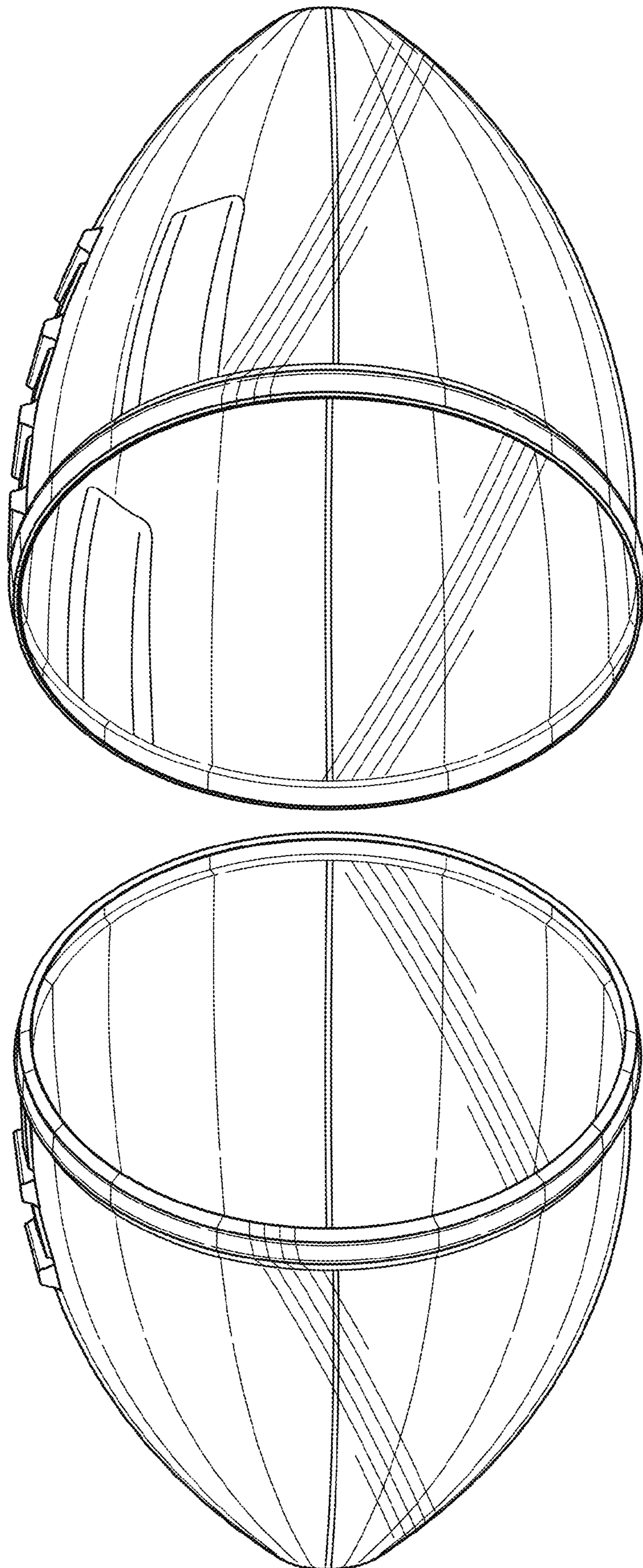


FIG. 9