



US00D875541S

(12) **United States Design Patent**  
**Lowery et al.**

(10) **Patent No.:** **US D875,541 S**  
(45) **Date of Patent:** **\*\* Feb. 18, 2020**

(54) **PACKAGE**

**DESCRIPTION**

- (71) Applicant: **The Procter & Gamble Company**, Cincinnati, OH (US)
- (72) Inventors: **Jennifer Lynn Lowery**, Blue Ash, OH (US); **Barry Chee Huat Low**, Guangdong (CN); **Darren Tan**, Singapore (SG); **Robert Matthew Alexander, III**, San Francisco, CA (US); **Shin May Dominique Mao**, San Francisco, CA (US)
- (73) Assignee: **The Procter & Gamble Company**, Cincinnati, OH (US)
- (\*\*) Term: **15 Years**
- (21) Appl. No.: **29/663,646**
- (22) Filed: **Sep. 18, 2018**
- (51) **LOC (12) Cl.** ..... **09-01**
- (52) **U.S. Cl.**  
USPC ..... **D9/600; D9/434; D9/667**
- (58) **Field of Classification Search**  
USPC ..... **D3/270, 271.1-271.4; D7/510, 514-520, D7/599, 604, 613, 619.2, 623, 628;**  
(Continued)

(56) **References Cited**

**U.S. PATENT DOCUMENTS**

- D536,621 S \* 2/2007 Tsutsumi ..... D9/432
  - D621,275 S \* 8/2010 Marotti ..... D9/600
- (Continued)

*Primary Examiner* — Sandra L Morris

(74) *Attorney, Agent, or Firm* — Wednesday G. Shipp

(57) **CLAIM**

The ornamental designs for a package, as shown and described.

The file of this patent contains at least one drawing/photograph executed in color. Copies of this patent with color drawing(s)/photograph(s) will be provided by the Office upon request and payment of the necessary fee.

FIG. 1 is a perspective view of a first embodiment of a package;

FIG. 2 is a front elevational view of the embodiment as shown in FIG. 1;

FIG. 3 is a back elevational view of the embodiment as shown in FIG. 1;

FIG. 4 is a right side elevational view of the embodiment as shown in FIG. 1;

FIG. 5 is a left side elevational view of the embodiment as shown in FIG. 1;

FIG. 6 is a top plan view of the embodiment as shown in FIG. 1;

FIG. 7 is a bottom plan view of the embodiment as shown in FIG. 1;

FIG. 8 is a front elevational view of a second embodiment of a package;

FIG. 9 is a perspective view of a third embodiment of a package;

FIG. 10 is a front elevational view of the embodiment as shown in FIG. 9;

FIG. 11 is a back elevational view of the embodiment as shown in FIG. 9;

FIG. 12 is a right side elevational view of the embodiment as shown in FIG. 9;

FIG. 13 is a left side elevational view of the embodiment as shown in FIG. 9;

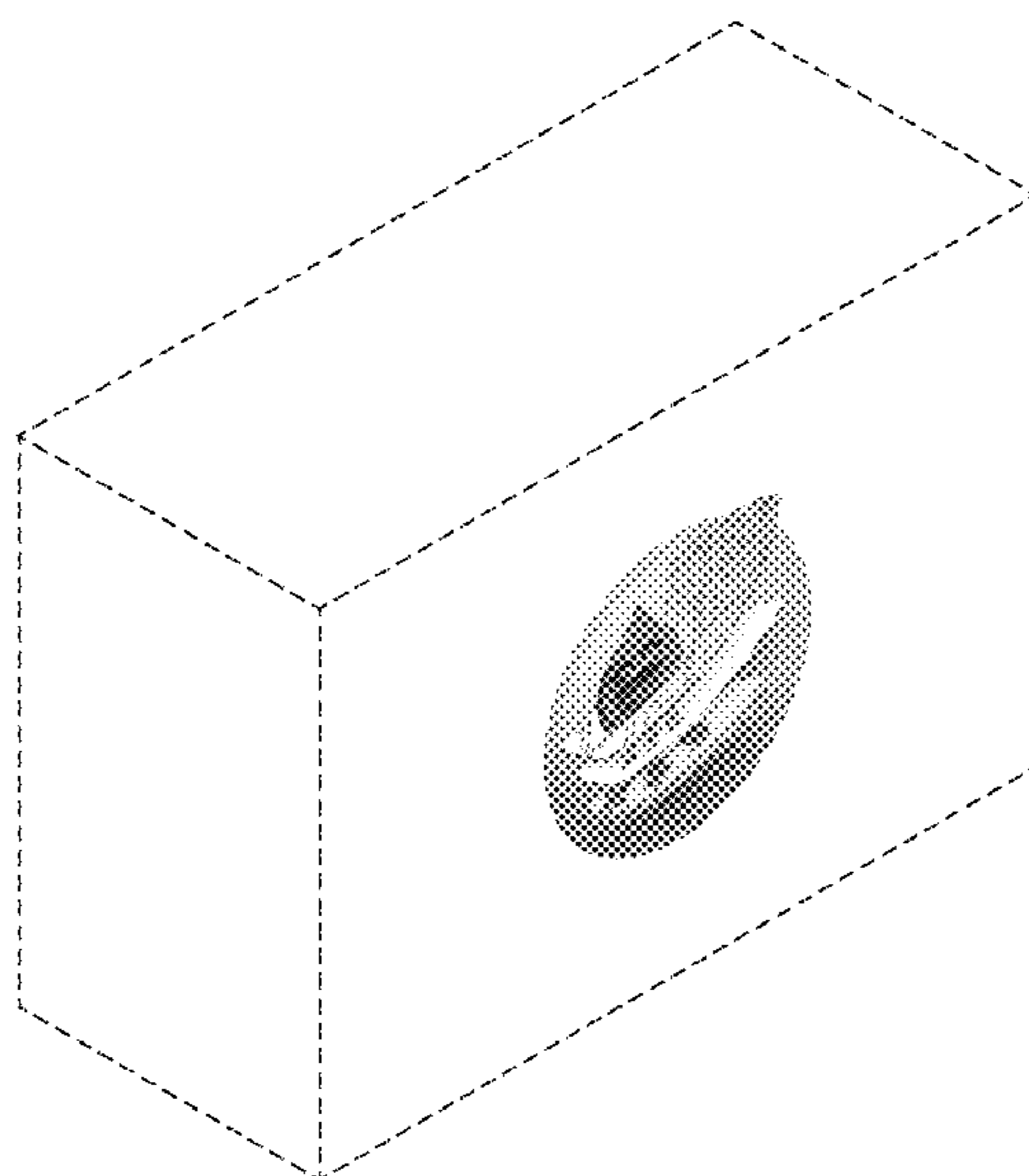
FIG. 14 is a top plan view of the embodiment as shown in FIG. 9;

FIG. 15 is a bottom plan view of the embodiment as shown in FIG. 9; and,

FIG. 16 is a front elevational view of a fourth embodiment of a package.

The broken lines are included for the purpose of illustrating environment and form no part of the claimed design.

**1 Claim, 16 Drawing Sheets**  
**(3 of 16 Drawing Sheet(s) Filed in Color)**



(58) **Field of Classification Search**

USPC ..... D9/600, 614, 625, 667, 414-434,  
D9/500-504; 206/457, 459.5, 527;  
215/381-384, 400; D14/485, 489, 492,  
D14/494-495; D20/23, 28, 29  
CPC ..... B65D 5/42; B65D 5/4258; B65D 81/36;  
B65D 81/365; B65D 81/366; B65D  
81/368; B65D 2203/00; B65D 2203/02;  
B65D 37/00; A63H 33/16; B32D 73/16;  
B32D 73/162; B32D 73/164

See application file for complete search history.

(56) **References Cited**

U.S. PATENT DOCUMENTS

D649,043	S	*	11/2011	Anderson	.....	D9/434
D669,780	S	*	10/2012	Lowery	.....	D9/434
D692,771	S	*	11/2013	Sakai	.....	D9/432
D702,119	S	*	4/2014	Sakai	.....	D9/434
D759,500	S	*	6/2016	Bell	.....	D9/503
D763,317	S	*	8/2016	Kim	.....	D14/492
D766,330	S	*	9/2016	Forslund	.....	D14/492
D775,671	S	*	1/2017	Evans	.....	D14/495
D792,207	S	*	7/2017	Sanborn	.....	D9/414
D797,806	S	*	9/2017	Havranek, Jr.	.....	D14/492
D801,800	S	*	11/2017	Baquer Molas	.....	D9/414

\* cited by examiner

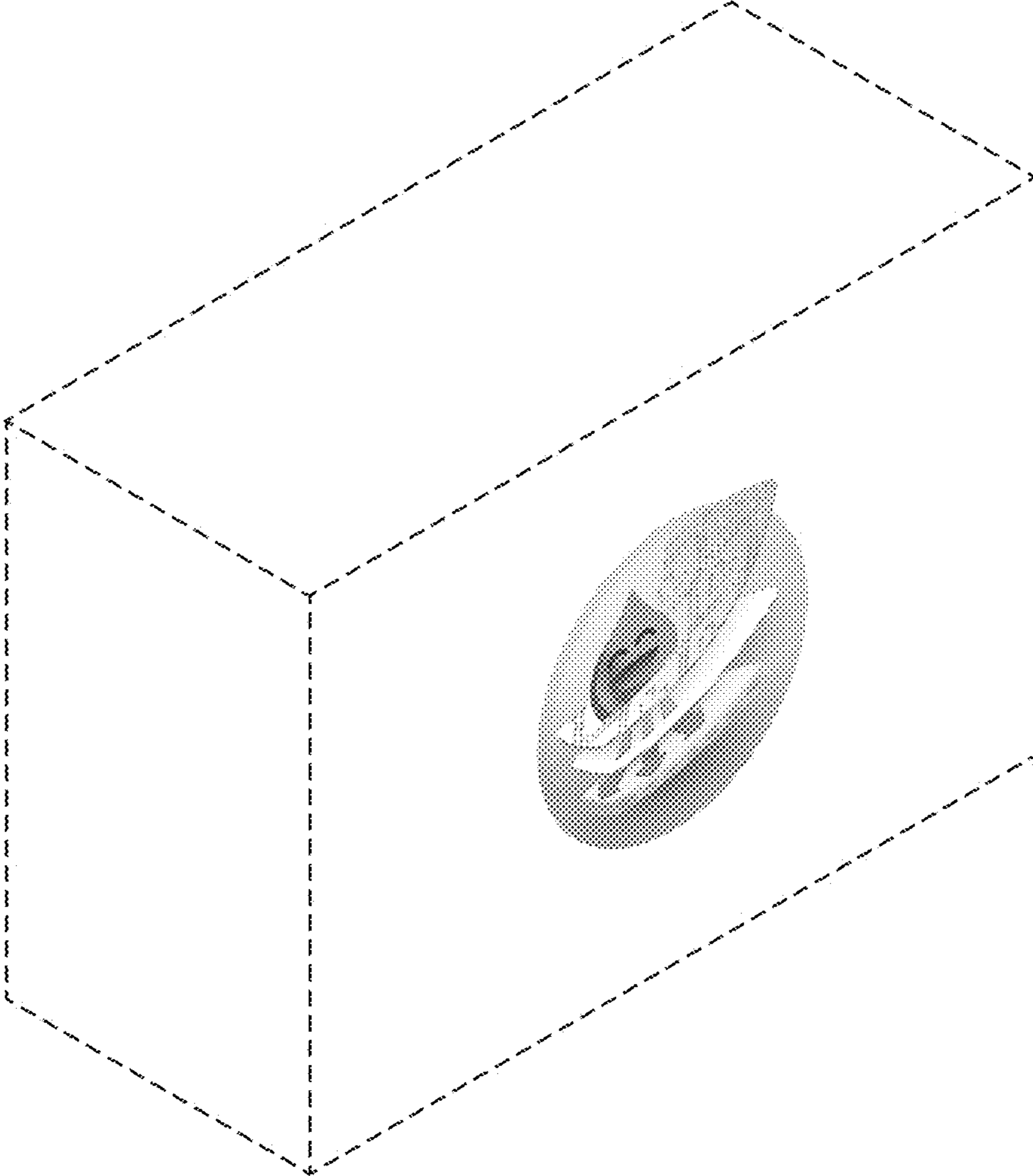


FIG. 1

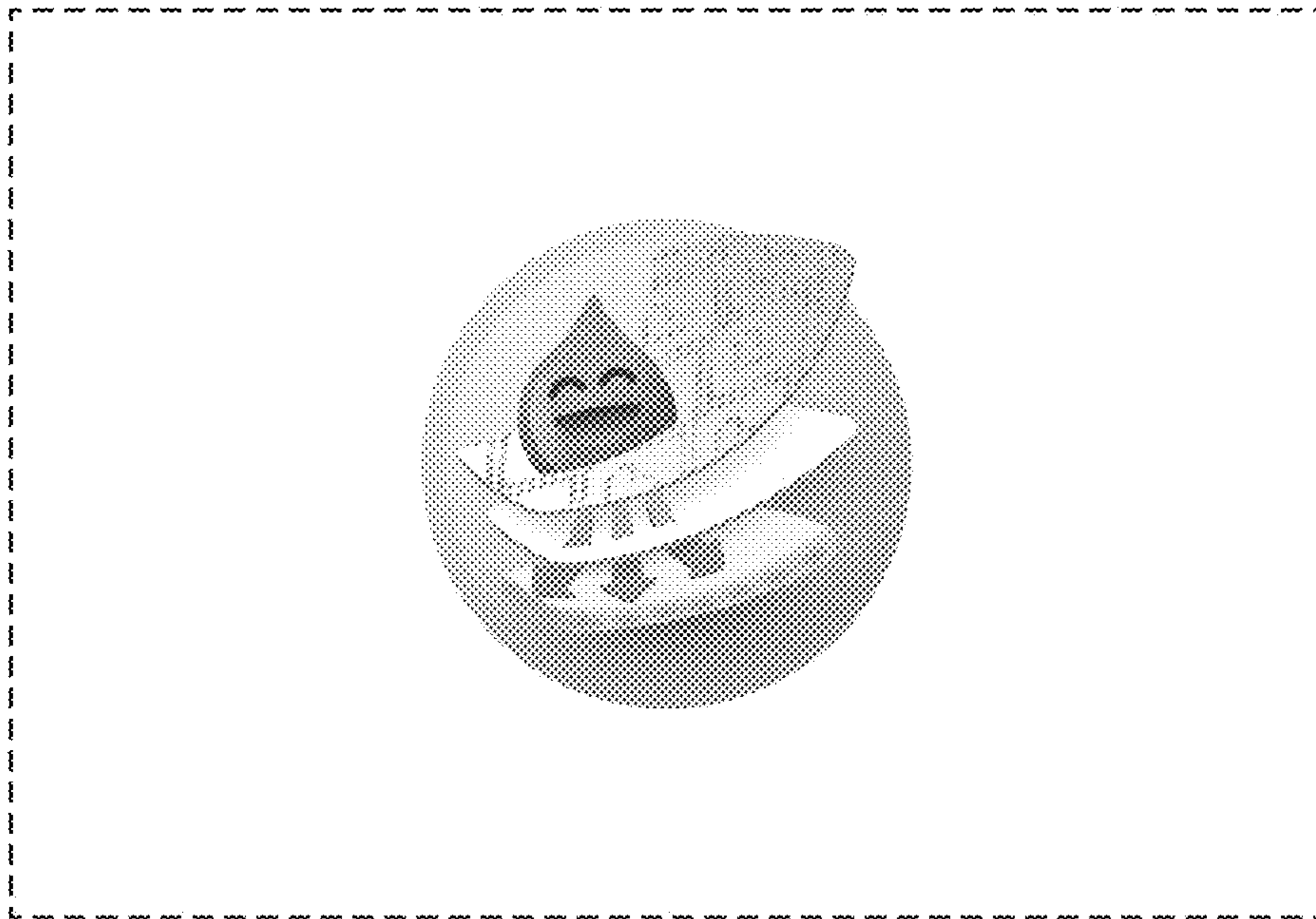


FIG. 2



FIG. 3

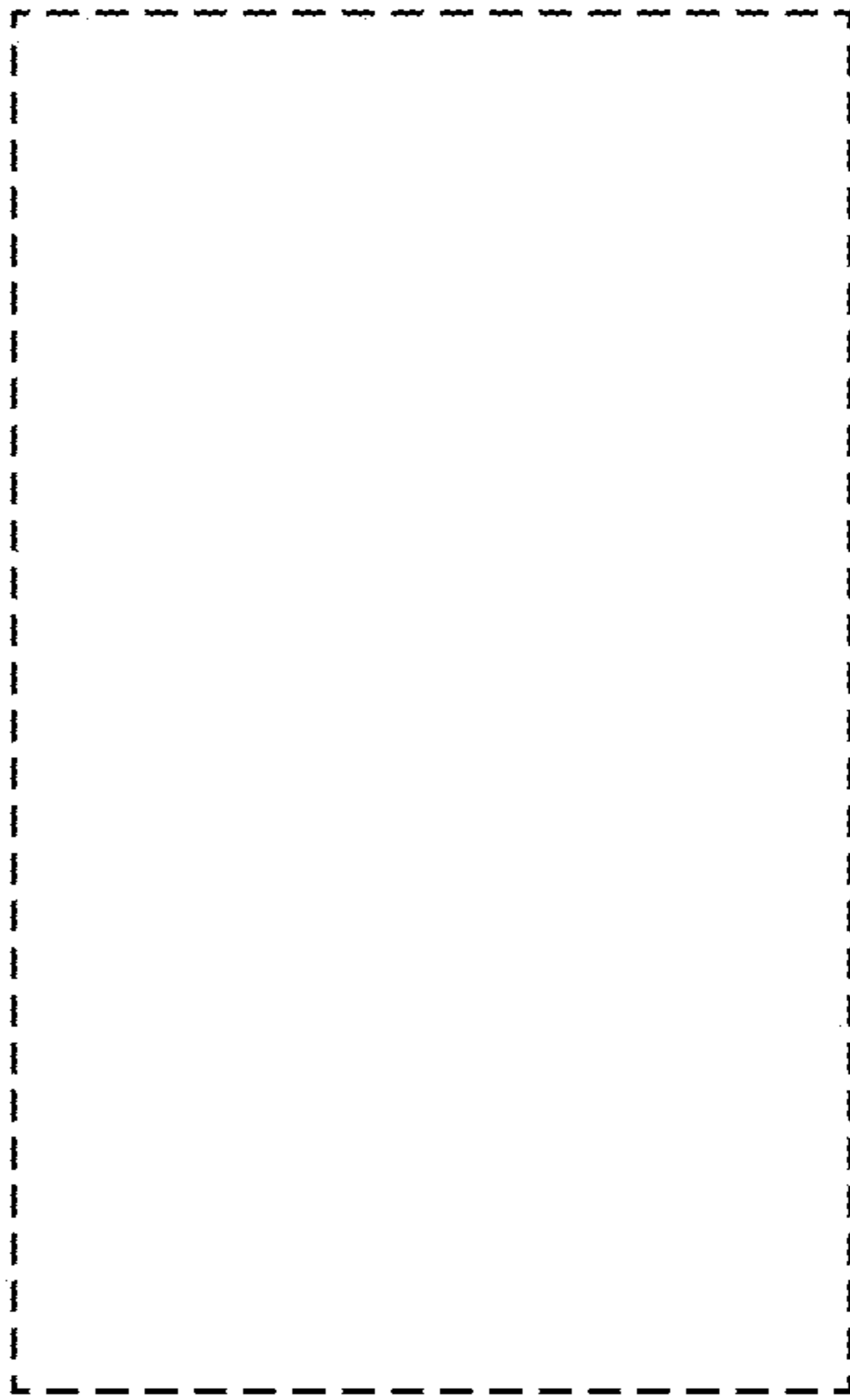


FIG. 4

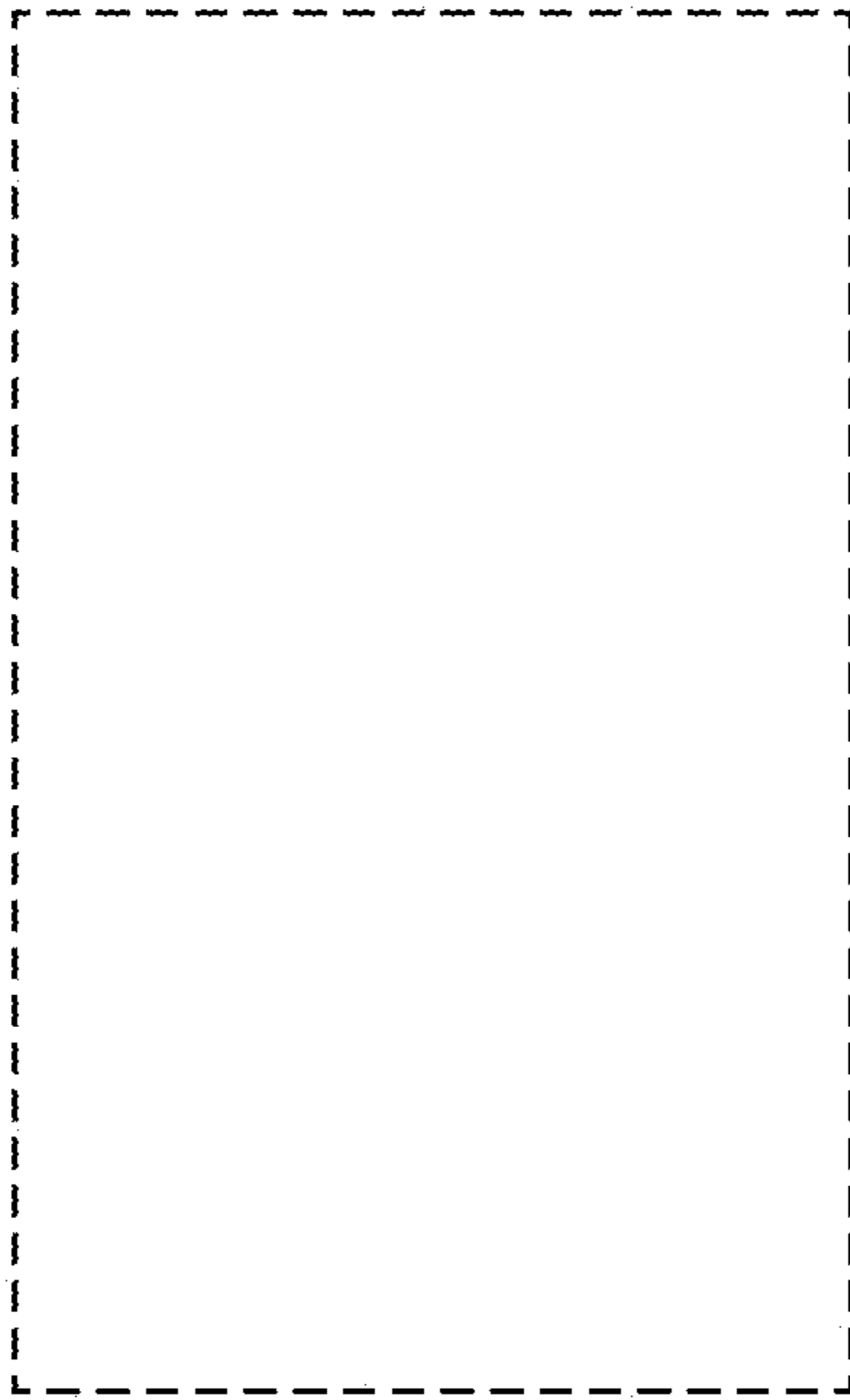


FIG. 5



FIG. 6





FIG. 7

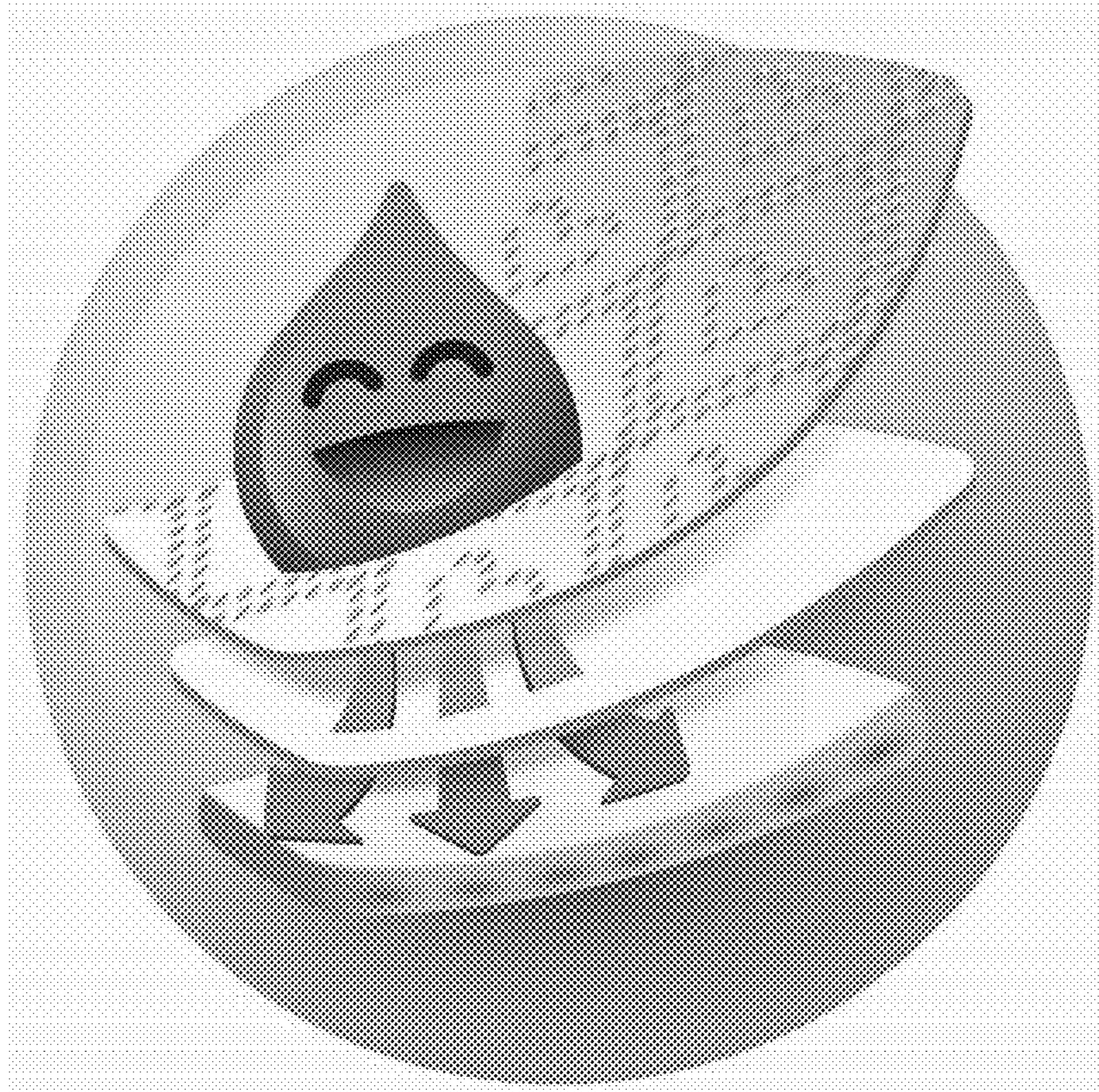


Fig. 8

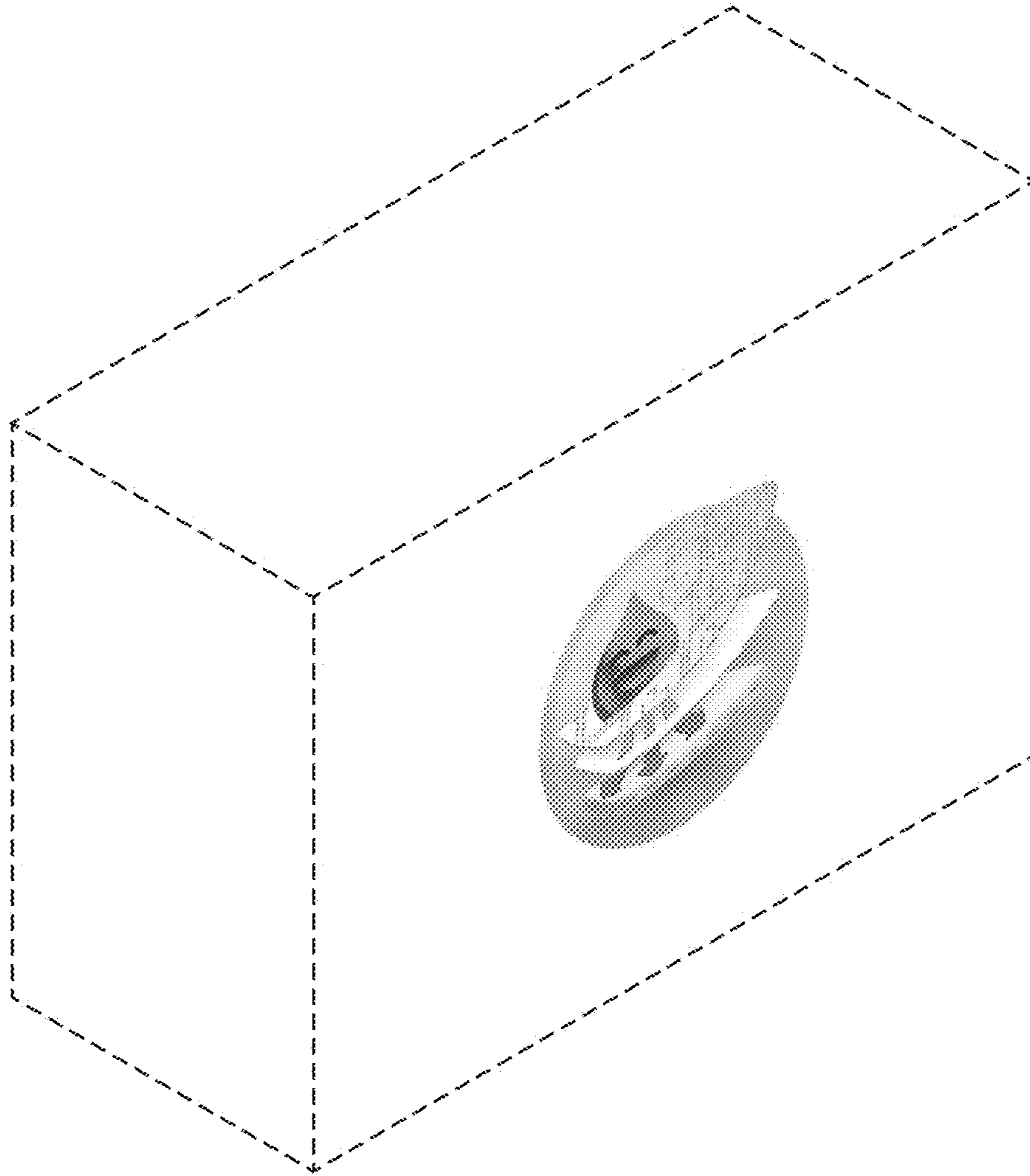


FIG. 9

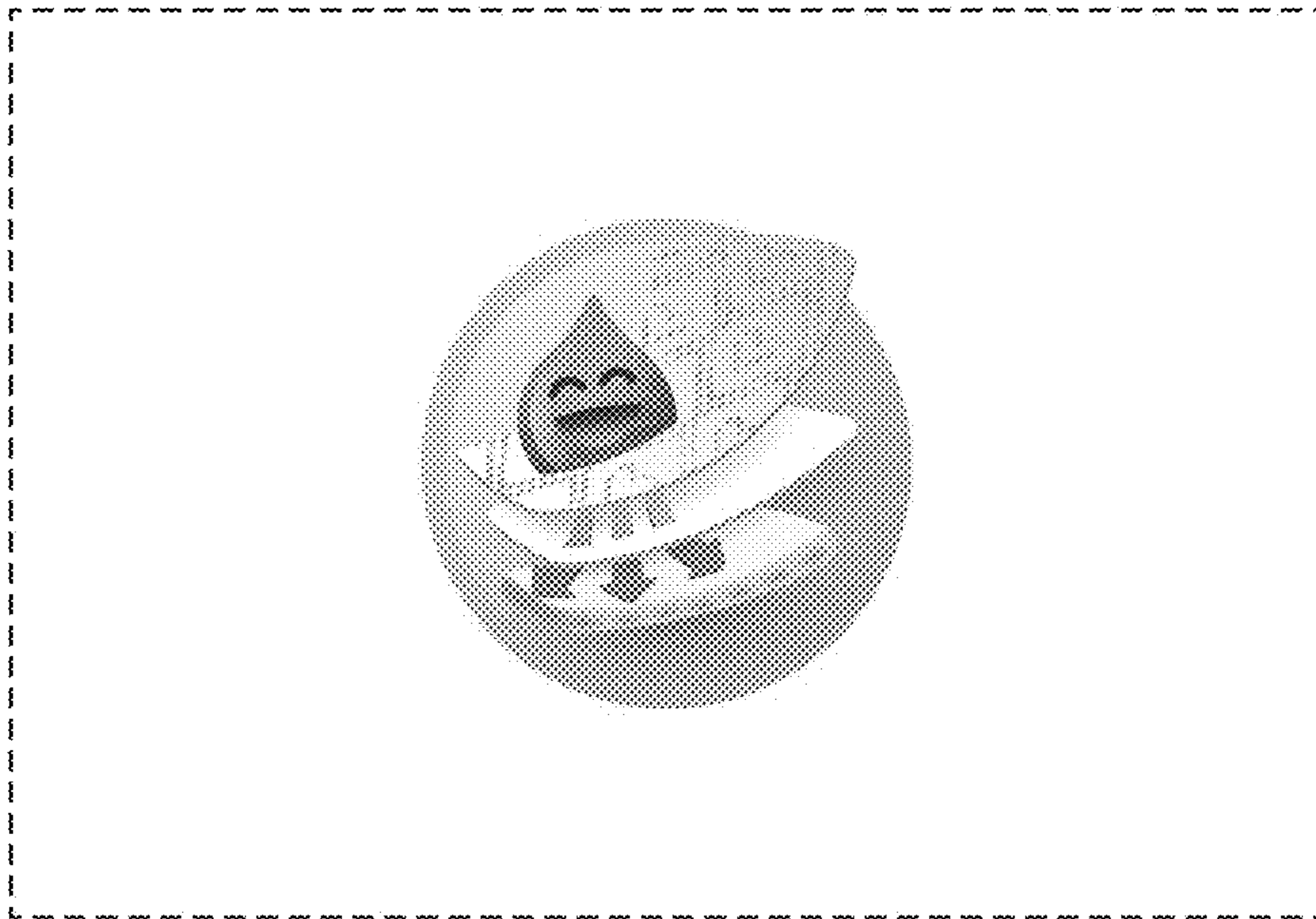


FIG. 10



FIG. 11

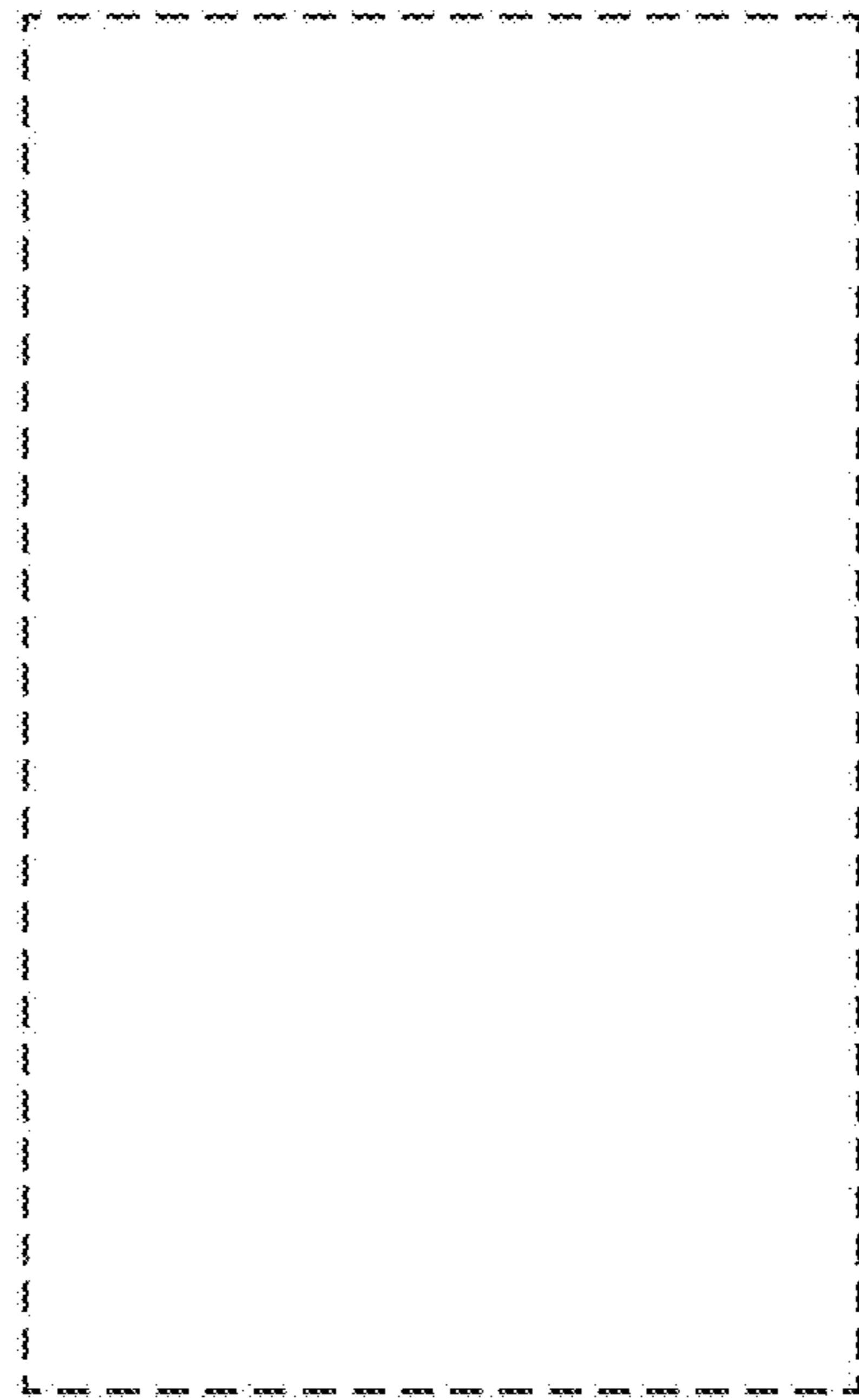


FIG. 12



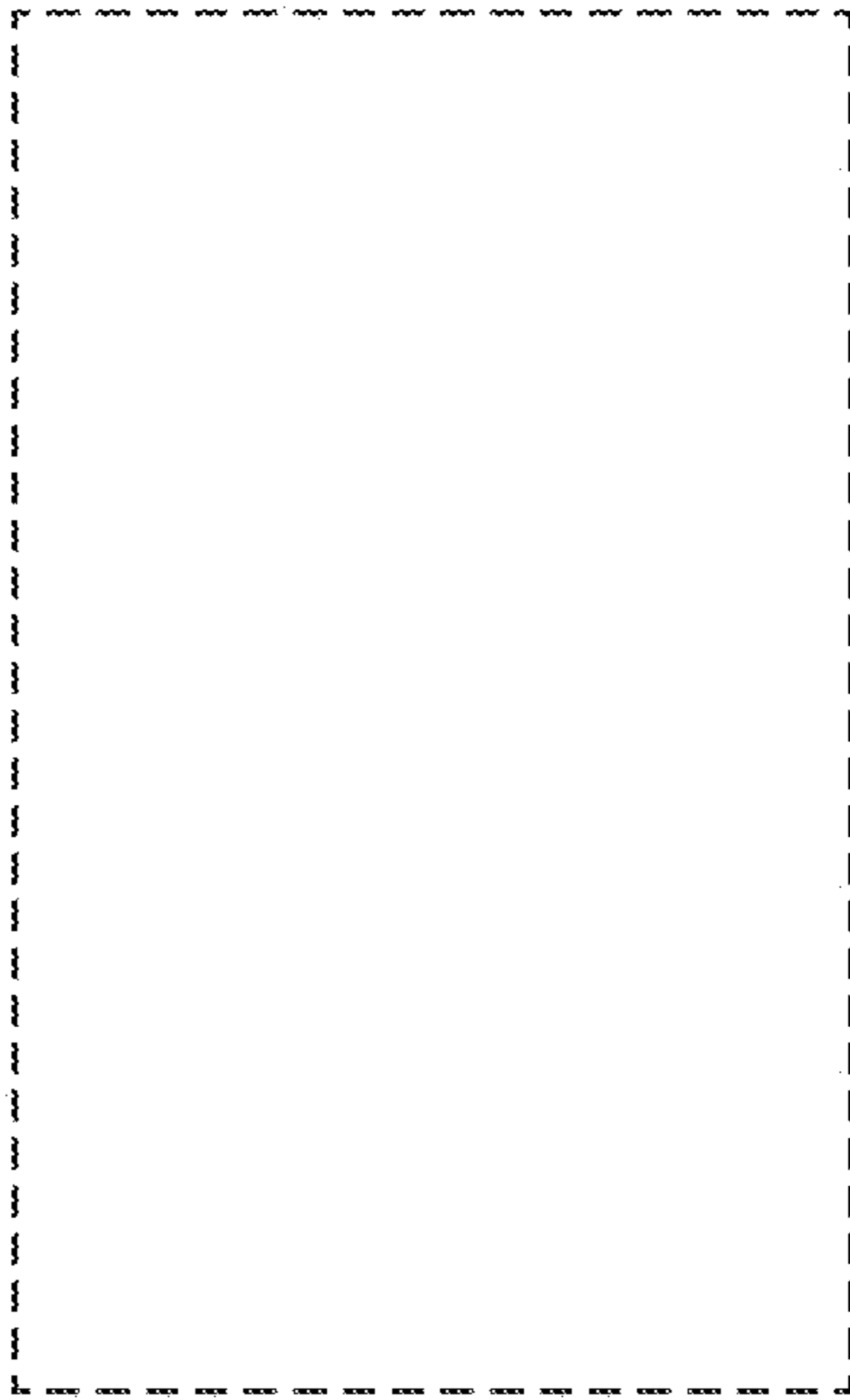


FIG. 13

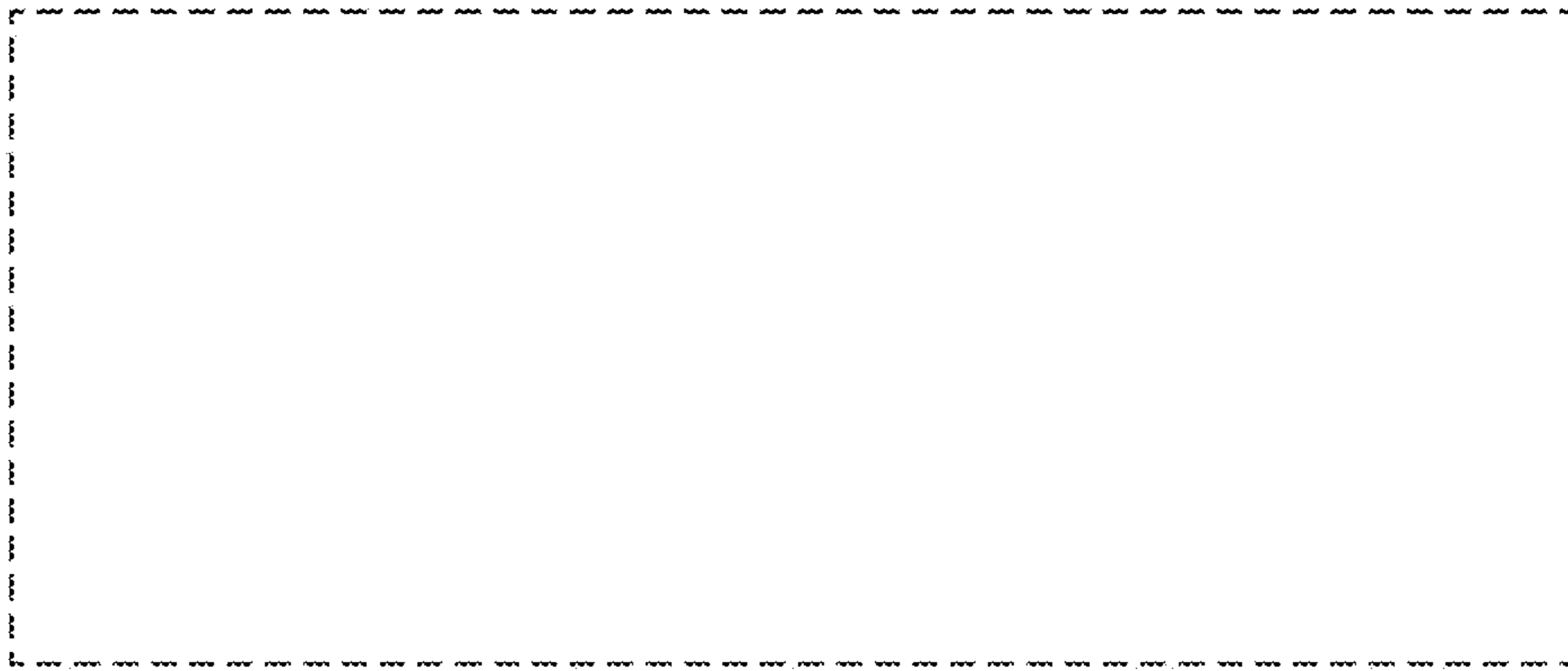


FIG. 14



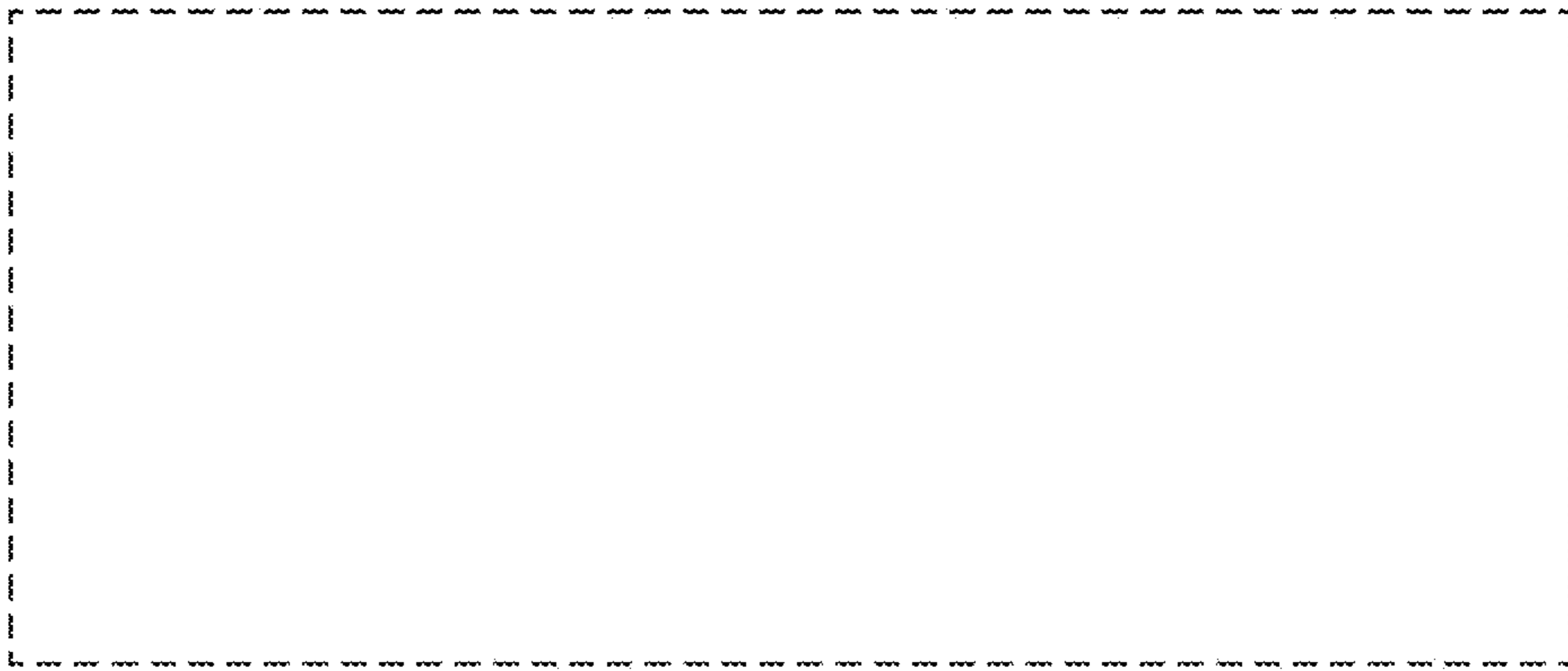


FIG. 15

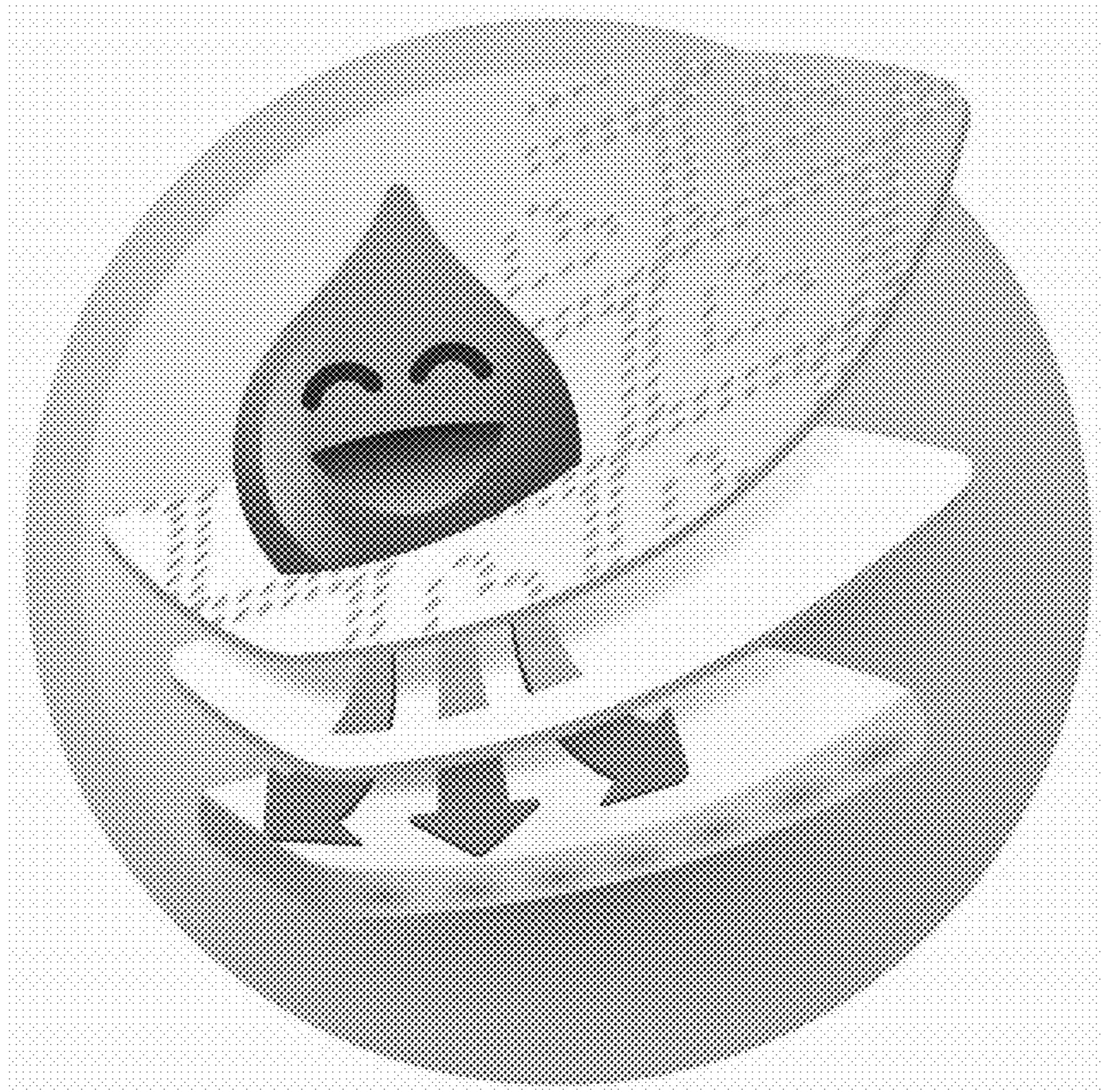


Fig. 16