



US00D875540S

(12) **United States Design Patent**  
**Bhat et al.**

(10) **Patent No.:** **US D875,540 S**

(45) **Date of Patent:** **\*\* \*Feb. 18, 2020**

(54) **BOTTLE**

(71) Applicant: **PepsiCo, Inc.**, Purchase, NY (US)

(72) Inventors: **Advait Bhat**, White Plains, NY (US);  
**Karen Elizabeth Kleiman**, Chicago, IL (US)

(73) Assignee: **PepsiCo, Inc.**, Purchase, NY (US)

(\*) Notice: This patent is subject to a terminal disclaimer.

(\*\*) Term: **15 Years**

(21) Appl. No.: **29/674,928**

(22) Filed: **Dec. 27, 2018**

**Related U.S. Application Data**

(63) Continuation of application No. 29/664,138, filed on Sep. 21, 2018.

(51) **LOC (12) Cl.** ..... **09-01**

(52) **U.S. Cl.**  
USPC ..... **D9/560**; D9/564; D9/570; D9/574

(58) **Field of Classification Search**  
USPC ..... D9/516, 544, 545, 549, 559-570, 574,  
D9/652, 667, 715, 719  
CPC ..... B65D 2501/0018; B65D 1/023  
See application file for complete search history.

(56) **References Cited**

**U.S. PATENT DOCUMENTS**

D316,968 S *	5/1991	York	.....	D9/434
D379,592 S *	6/1997	Doskoczynski	.....	D9/542
D456,272 S *	4/2002	Sadeghi	.....	D9/560
D506,138 S	6/2005	Zboch et al.		
D526,905 S *	8/2006	Beard	.....	D9/560
D531,042 S	10/2006	Venkataraman et al.		
D538,662 S *	3/2007	Goetz	.....	D9/516

D555,497 S *	11/2007	Lavelli	.....	D9/551
D559,695 S *	1/2008	Lesueur	.....	D9/520
D561,040 S	2/2008	Sequiera		
D578,007 S *	10/2008	Hestehave	.....	D9/453
D588,463 S *	3/2009	Forget	.....	D9/542
D623,531 S *	9/2010	Ungrady	.....	D9/538
D626,851 S	11/2010	El Aquah		
D635,458 S *	4/2011	Braun	.....	D9/516
D655,182 S *	3/2012	Kraft	.....	D9/560
D655,198 S	3/2012	Finlay et al.		
D659,006 S	5/2012	Wiescinski et al.		
D660,161 S *	5/2012	Braun	.....	D9/516

(Continued)

**FOREIGN PATENT DOCUMENTS**

EM	000600242-0001	9/2006
EM	000600242-0002	9/2006

(Continued)

*Primary Examiner* — Shannon W Morgan

*Assistant Examiner* — Keith Frank

(74) *Attorney, Agent, or Firm* — Sterne, Kessler, Goldstein & Fox P.L.L.C.

(57) **CLAIM**

The ornamental design for a bottle, as shown and described.

**DESCRIPTION**

FIG. 1 is a top front perspective view of a bottle showing the claimed design;

FIG. 2 is a front view thereof;

FIG. 3 is a rear view thereof;

FIG. 4 is a left side view thereof;

FIG. 5 is a right side view thereof;

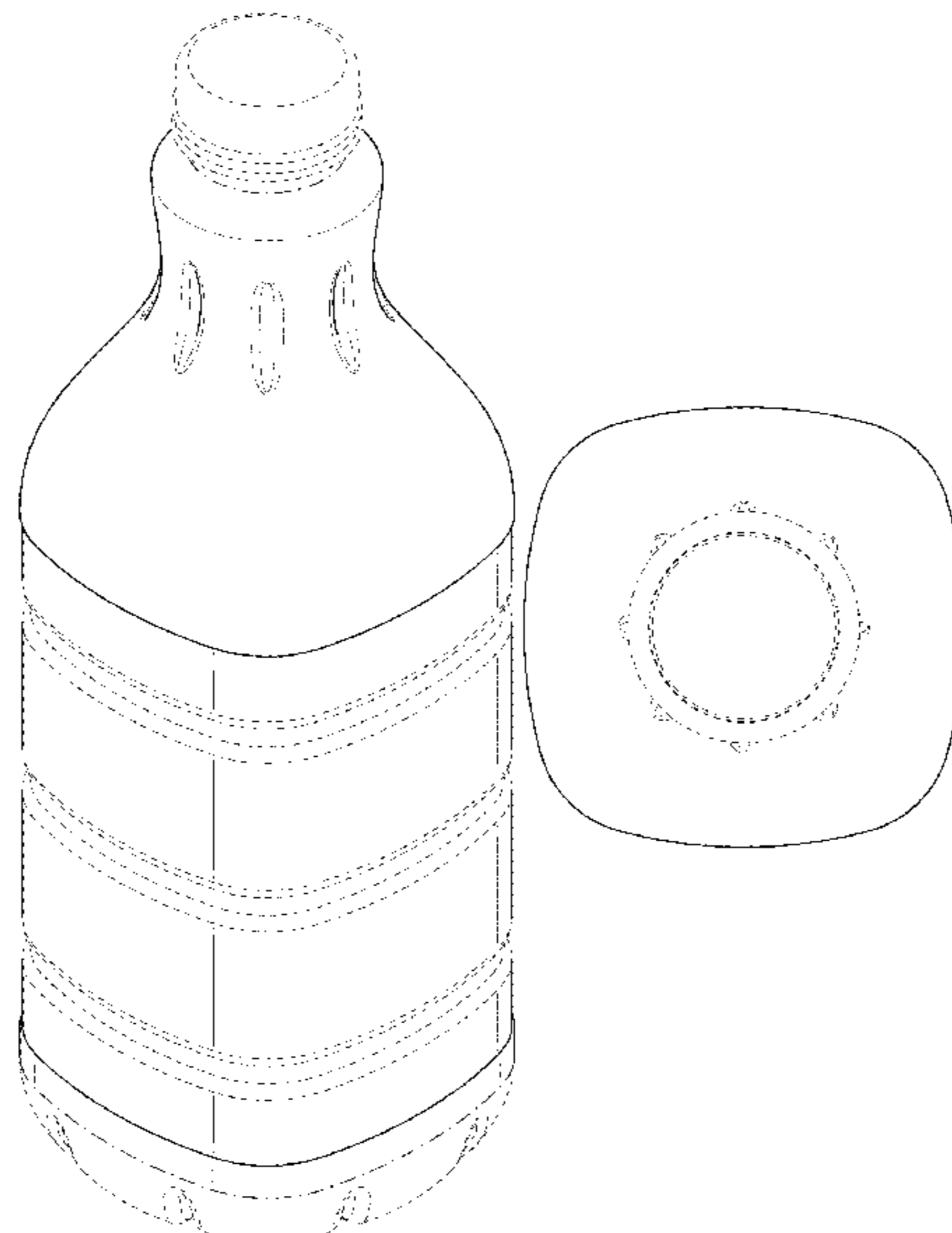
FIG. 6 is a top view thereof; and,

FIG. 7 is a bottom view thereof.

The dashed broken lines in the figures show portions of the bottle that form no part of the claimed design.

The dot-dash broken lines in the figures show boundaries that form no part of the claimed design.

**1 Claim, 6 Drawing Sheets**



(56)

**References Cited**

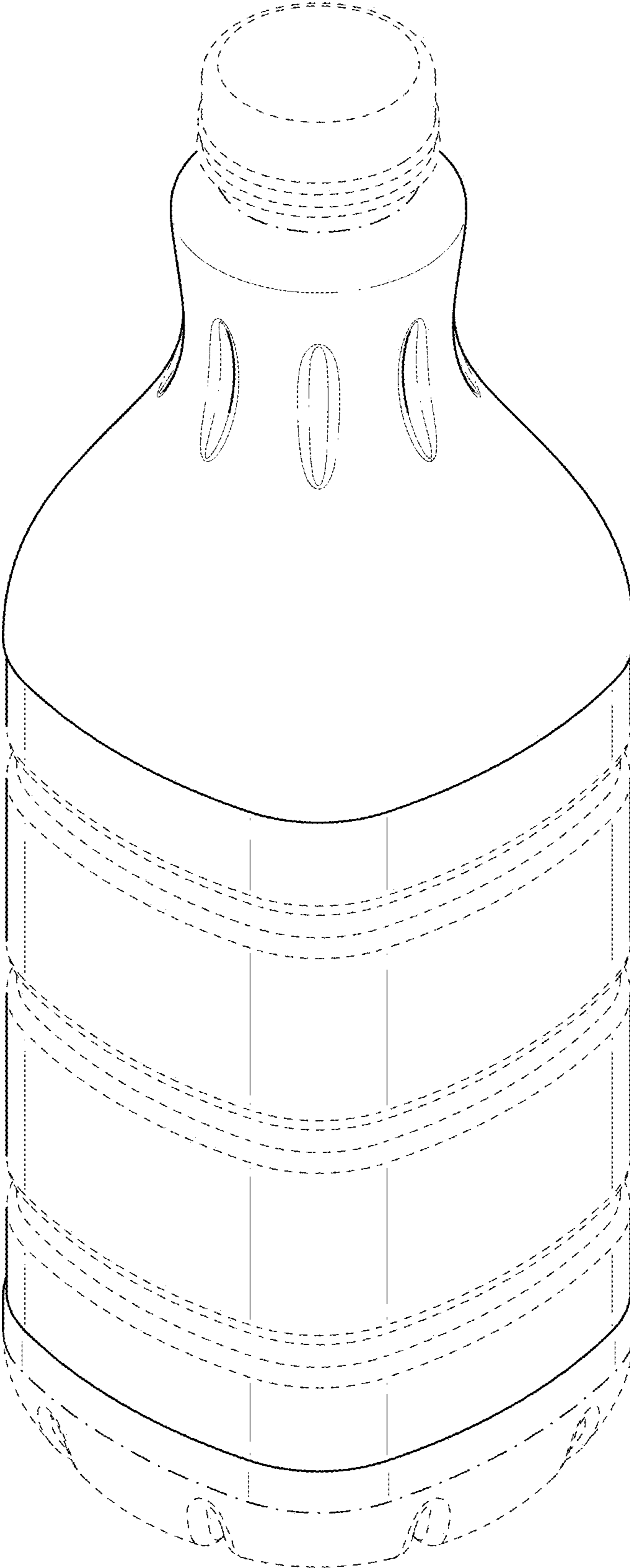
U.S. PATENT DOCUMENTS

D666,915	S	9/2012	Wiescinski et al.	
D666,916	S	9/2012	Enciso et al.	
D668,959	S	10/2012	Brown et al.	
D669,787	S *	10/2012	Braun .....	D9/538
D674,284	S *	1/2013	Harris .....	D9/520
D674,702	S *	1/2013	Harris .....	D9/520
D680,003	S *	4/2013	Desjardins .....	D9/560
D721,973	S	2/2015	Das et al.	
D759,492	S	6/2016	Dominick et al.	
D776,542	S	1/2017	Dominick et al.	
D789,792	S *	6/2017	Herbst .....	D9/542
D799,329	S *	10/2017	Peacock .....	D9/538
D804,315	S	12/2017	Galvin et al.	
D847,639	S *	5/2019	Pritchett, Jr. ....	D9/502
2011/0000869	A1 *	1/2011	Braun .....	B65D 1/023 215/40

FOREIGN PATENT DOCUMENTS

EM	000600242-0003	9/2006
EM	000600242-0004	9/2006
EM	000600242-0005	9/2006
EM	001002364-0001	9/2008
EM	001002364-0002	9/2008
EM	001002364-0003	9/2008

\* cited by examiner



**FIG. 1**

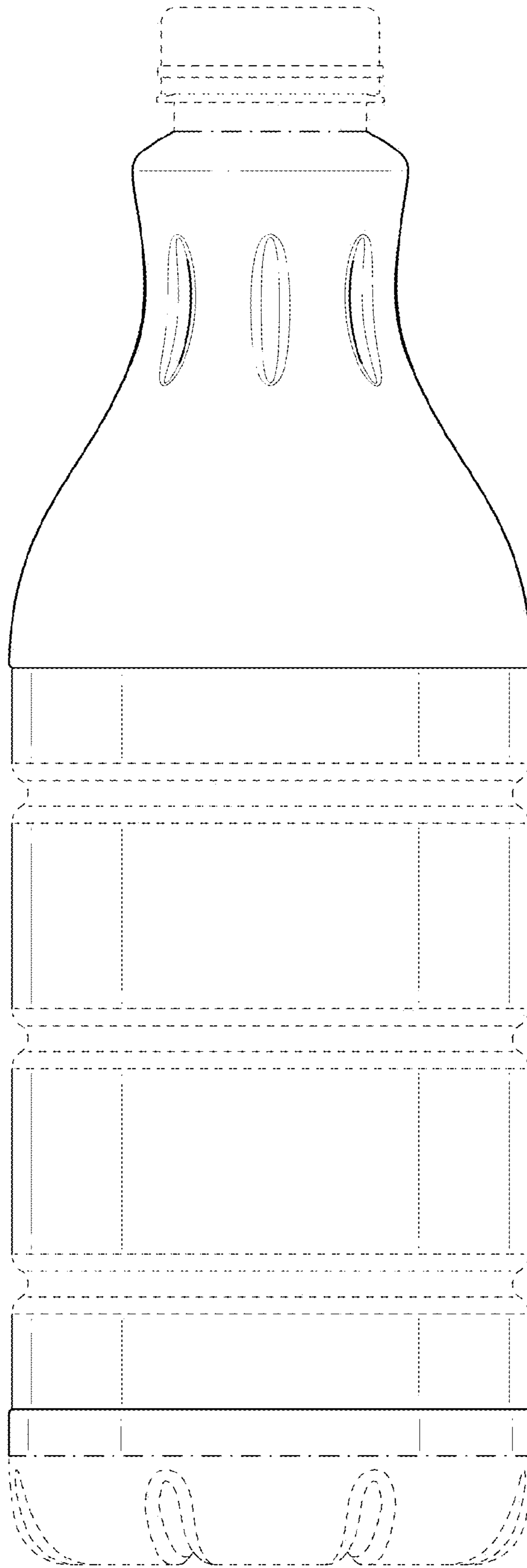
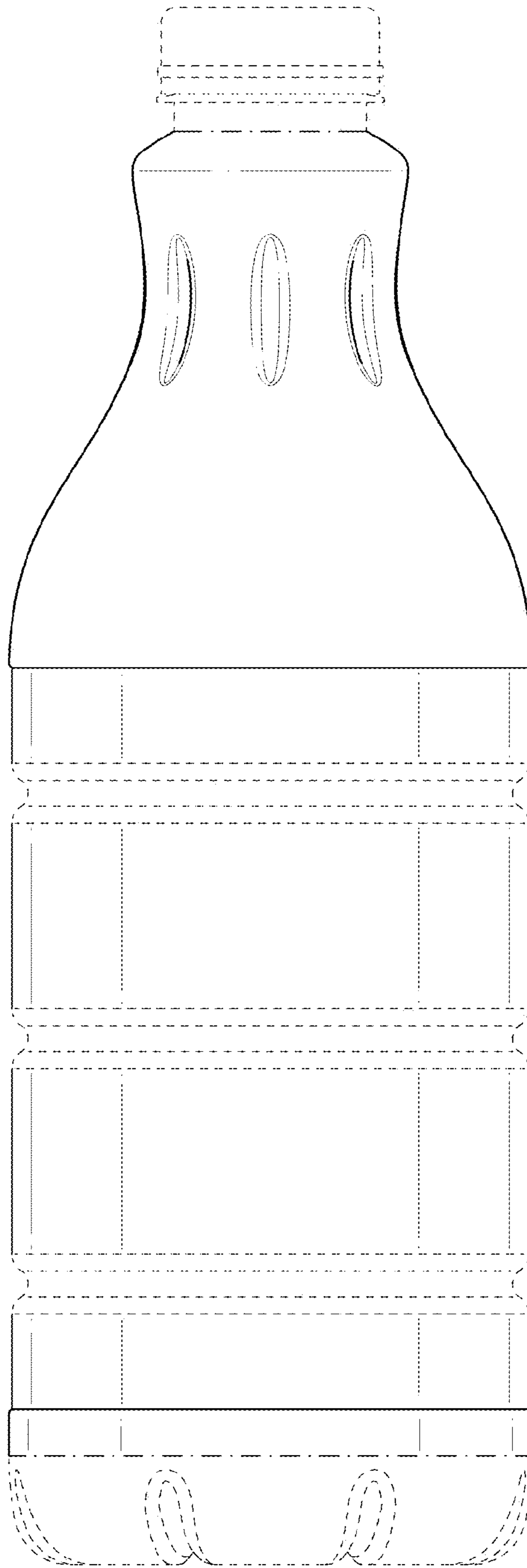


FIG. 2



**FIG. 3**

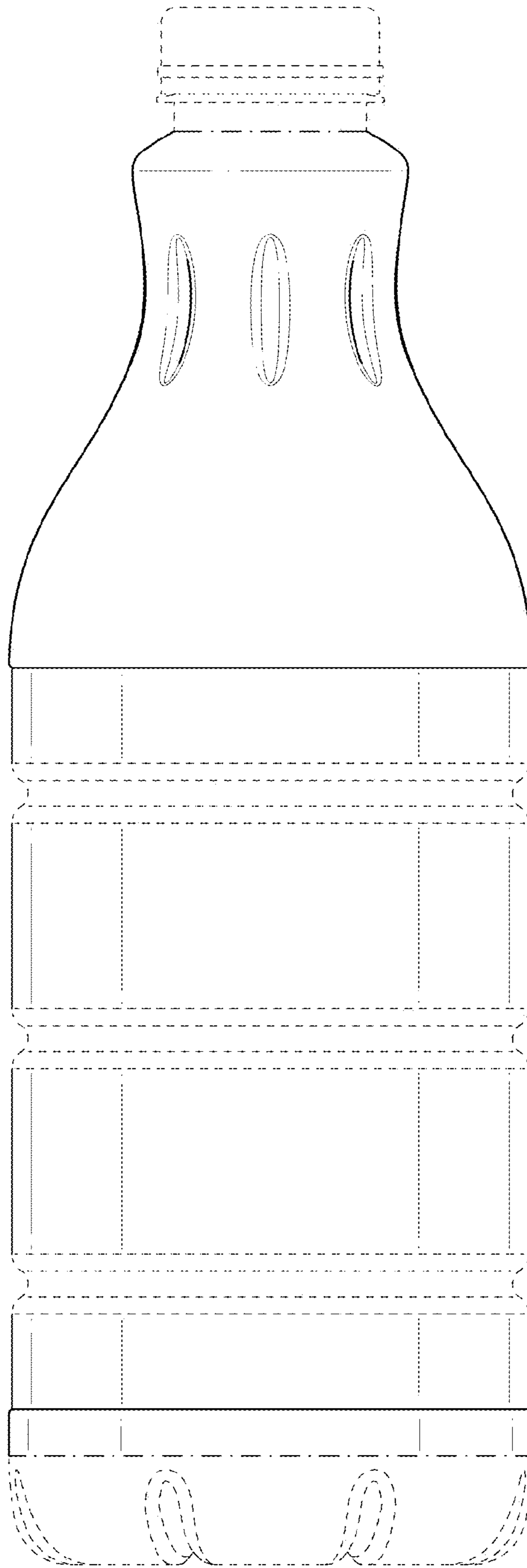


FIG. 4

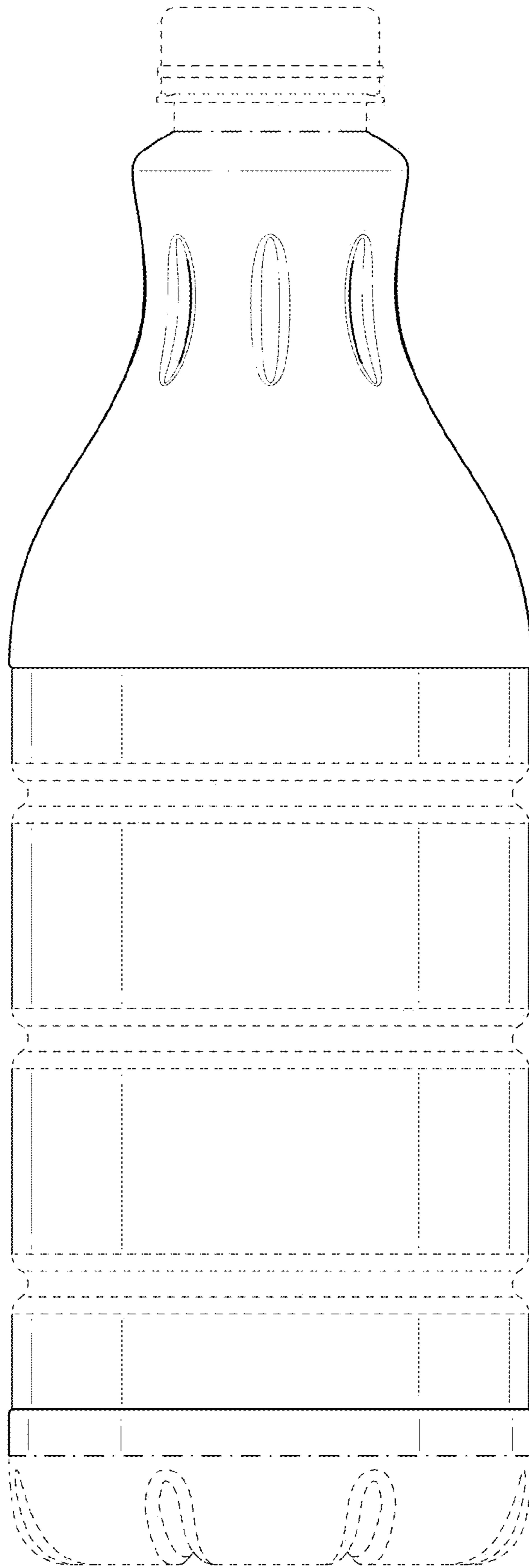
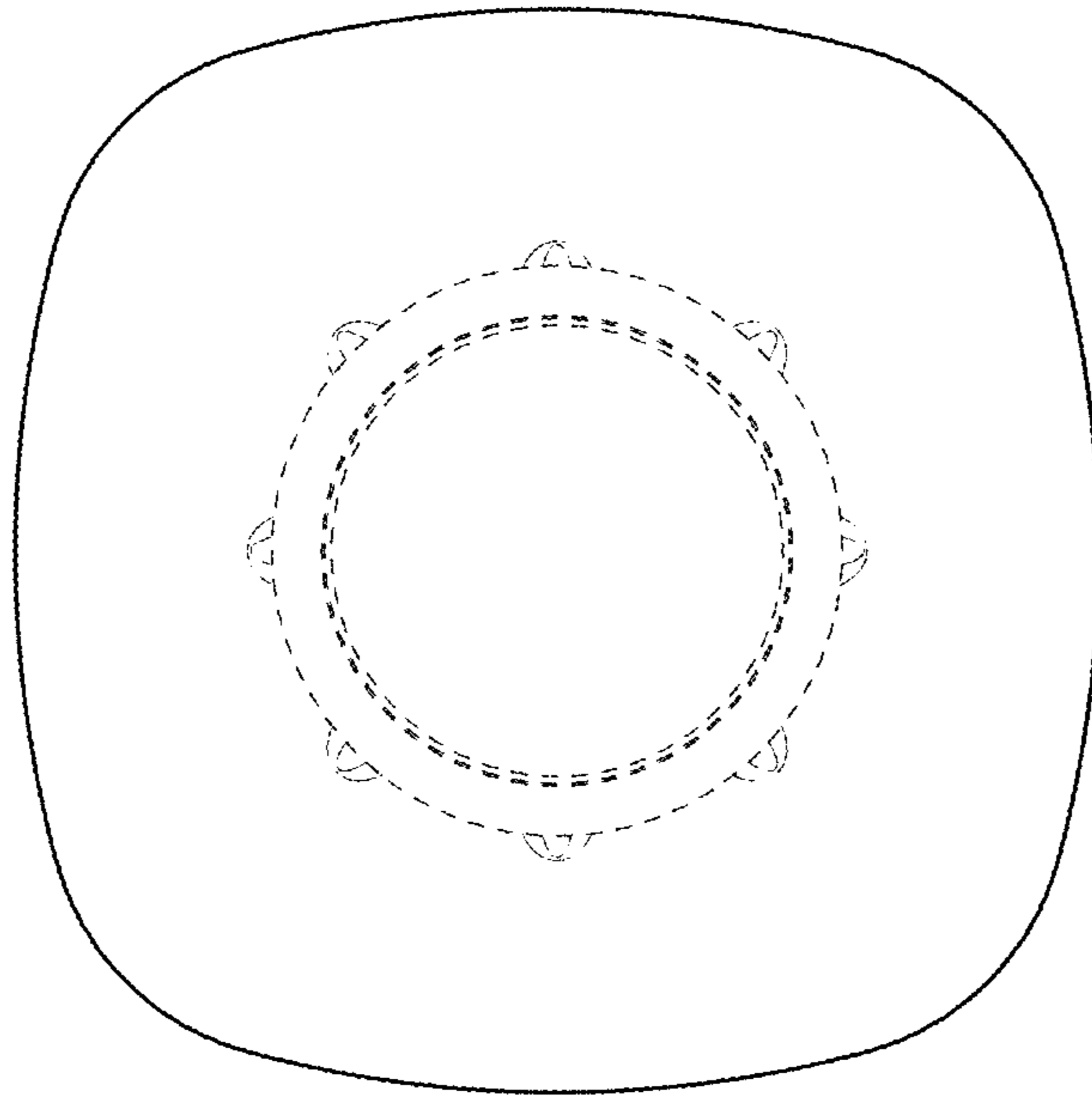
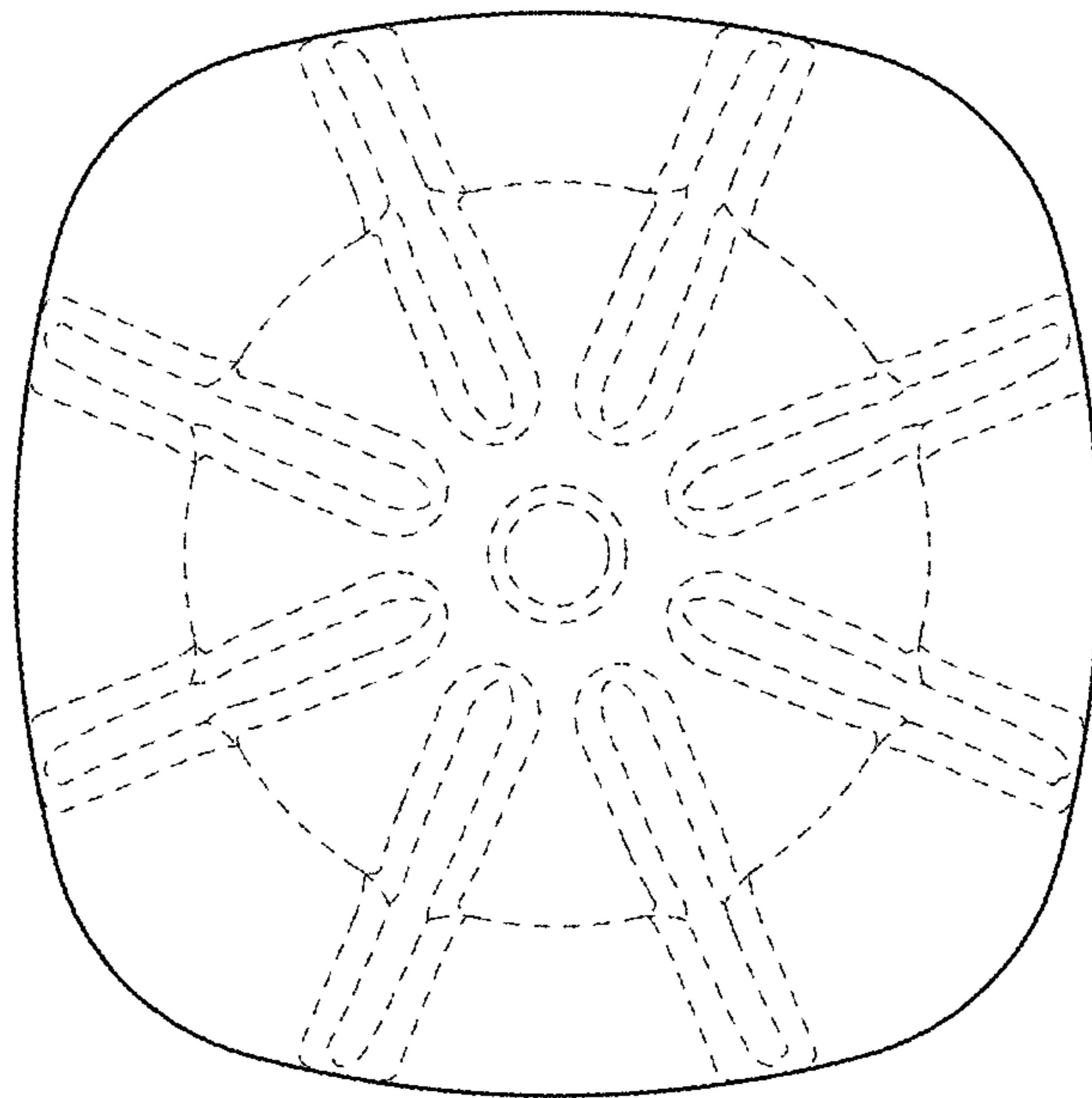


FIG. 5



**FIG. 6**



**FIG. 7**