

US00D875539S

(12) **United States Design Patent** (10) **Patent No.:** **US D875,539 S**
Hall et al. (45) **Date of Patent:** **** Feb. 18, 2020**

(54) **BOTTLE**

(56) **References Cited**

(71) Applicants: **Mark Hall**, Kailua-Kona, HI (US);
Scot De Lorme, Laguna Beach, CA
(US); **Greg Hurley**, Manchester, MI
(US); **Mark Woloszyk**, Manchester, MI
(US); **Walter Strasser**, Manchester, MI
(US)

U.S. PATENT DOCUMENTS

D74,300 S 1/1928 Ginter
D139,892 S 1/1945 Riha
D409,919 S 5/1999 Young
(Continued)

FOREIGN PATENT DOCUMENTS

EM 003507904-0001 * 4/2017

(72) Inventors: **Mark Hall**, Kailua-Kona, HI (US);
Scot De Lorme, Laguna Beach, CA
(US); **Greg Hurley**, Manchester, MI
(US); **Mark Woloszyk**, Manchester, MI
(US); **Walter Strasser**, Manchester, MI
(US)

OTHER PUBLICATIONS

Monster to unleash Mutant on Mtn Dew, posted at foodbusinessnew.net, posted on Jun. 20, 2016, [online], [site visited Apr. 19, 2017]. URL: http://www.foodbusinessnews.net/articles/news_home/New-Product-Launches/2016/06/Monster_to_unleash_Mutant_on_M.aspx?ID=%7B20C261BC-2D64-4A0E-AE82-115AE2DAF803%7D> (Year: 2016).*

(73) Assignee: **Monster Energy Company**, Corona, CA (US)

(Continued)

(**) Term: **15 Years**

Primary Examiner — Barbara Fox
Assistant Examiner — Mary Shannon Malley
(74) *Attorney, Agent, or Firm* — Knobbe, Martens, Olson & Bear, LLP

(21) Appl. No.: **29/624,645**

(22) Filed: **Nov. 2, 2017**

Related U.S. Application Data

(63) Continuation of application No. 29/567,706, filed on Jun. 10, 2016.

(51) **LOC (12) Cl.** **09-01**

(52) **U.S. Cl.**
USPC **D9/549; D9/556**

(58) **Field of Classification Search**
USPC D9/502, 516, 519, 520, 522, 536–543,
D9/557–558, 549–552, 559, 563, 565,
D9/567–571, 574–575, 667; D24/197;
215/379, 381–384; 220/660, 662,
220/669–673, 675
CPC B65D 1/0223; B65D 2501/0036; B65D
79/005; B65D 23/102; B65D 2501/0027

See application file for complete search history.

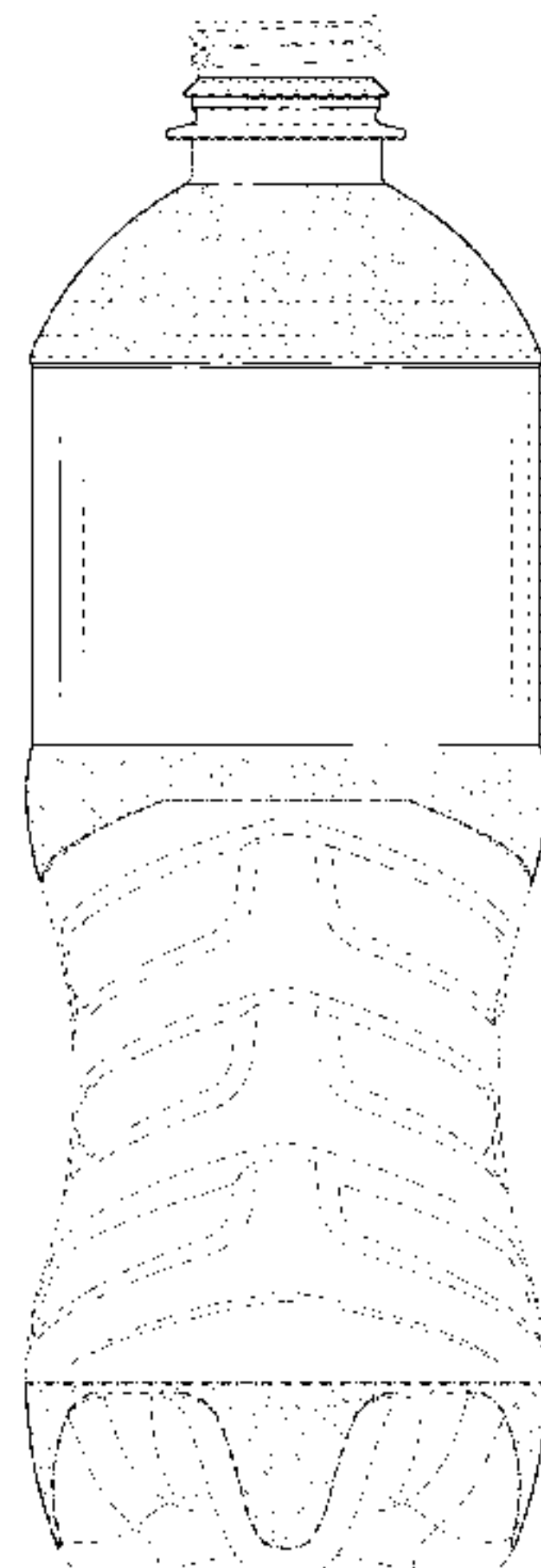
(57) **CLAIM**

The ornamental design for a bottle, as shown and described.

DESCRIPTION

FIG. 1 is a top, front, side perspective view of a bottle embodying our design;
FIG. 2 is a front view thereof;
FIG. 3 is a rear view thereof;
FIG. 4 is a right side view thereof;
FIG. 5 is a left side view thereof;
FIG. 6 is a top view thereof; and,
FIG. 7 is a bottom view thereof.

(Continued)



The broken lines illustrate portions of the bottle that form no part of the claimed design. The dash-dot lines illustrate boundaries of the claimed design.

D772,071 S * 11/2016 Eaton D9/516
 2008/0302758 A1* 12/2008 Mody B29C 49/48
 215/375
 2009/0014407 A1 1/2009 Strasser et al.

1 Claim, 6 Drawing Sheets

OTHER PUBLICATIONS

(56)

References Cited

U.S. PATENT DOCUMENTS

D449,526 S 10/2001 Lichtman et al.
 D463,292 S 9/2002 Bianco
 D482,976 S 12/2003 Melrose
 D509,746 S 9/2005 Mero et al.
 D522,870 S 6/2006 Venkataraman et al.
 D522,874 S 6/2006 Livingston et al.
 D523,341 S 6/2006 Livingston et al.
 D535,884 S 1/2007 Davis et al.
 D536,255 S 2/2007 Corbett et al.
 D538,168 S 3/2007 Davis et al.
 D561,595 S * 2/2008 Le Bras-Brown D9/500
 D561,596 S * 2/2008 Hyde D9/538
 D561,597 S 2/2008 Venkataraman et al.
 D564,889 S 3/2008 Boon
 D583,672 S 12/2008 Lepoitevin
 D584,628 S 1/2009 Lepoitevin
 D588,921 S 3/2009 Williams
 D600,122 S 9/2009 Strasser et al.
 D600,559 S 9/2009 Lepoitevin
 D619,011 S 7/2010 Zoppas
 D619,899 S 7/2010 Mero et al.
 D626,850 S 11/2010 Zoppas
 D628,074 S 11/2010 Mero et al.
 D637,908 S * 5/2011 Fleischhacker B29C 49/48
 215/375
 D637,909 S * 5/2011 Fleischhacker D9/502
 D643,723 S 8/2011 Snyder et al.
 D644,929 S 9/2011 White et al.
 D648,222 S 11/2011 Snyder et al.
 D648,633 S 11/2011 Boukobza
 D651,901 S * 1/2012 Miller D9/516
 D651,905 S 1/2012 Bartolomei
 D652,724 S 1/2012 Snyder et al.
 D652,725 S 1/2012 Snyder et al.
 D652,726 S 1/2012 Snyder et al.
 D652,733 S 1/2012 Oommen et al.
 D661,196 S 6/2012 Heisner
 D663,214 S * 7/2012 George D9/358
 D663,621 S 7/2012 Lepoitevin
 D668,958 S * 10/2012 George D9/538
 D671,007 S 11/2012 Lovelace, Jr. et al.
 8,596,479 B2 12/2013 Simon et al.
 D700,519 S 3/2014 Eaton et al.
 D719,449 S * 12/2014 Eaton D9/516
 D736,628 S 8/2015 Fleischhacker
 D739,734 S * 9/2015 Morrison D9/500
 D739,752 S * 9/2015 Eaton D9/540
 D754,002 S * 4/2016 Knight D9/538
 D764,297 S 8/2016 Impedovo et al.

U.S. Appl. No. 29/567,708 and its entire file history, filed Jun. 10, 2016, Hall et al.
 U.S. Appl. No. 29/567,704 and its entire file history, filed Jun. 10, 2016, Hall et al.
 U.S. Appl. No. 29/567,702 and its entire file history, filed Jun. 10, 2016, Hall et al.
 U.S. Appl. No. 29/567,709 and its entire file history, filed Jun. 10, 2016, Hall et al.
 U.S. Appl. No. 29/567,705 and its entire file history, filed Jun. 10, 2016, Hall et al.
 U.S. Appl. No. 29/567,710 and its entire file history, filed Jun. 10, 2016, Hall et al.
 U.S. Appl. No. 29/567,706 and its entire file history, filed Jun. 10, 2016, Hall et al.
 U.S. Appl. No. 29/567,707 and its entire file history, filed Jun. 10, 2016, Hall et al.
 U.S. Appl. No. 29/624,609 and its entire file history, filed Nov. 2, 2017, Hall et al.
 U.S. Appl. No. 29/641,242 and its entire file history, filed Mar. 20, 2018, Hall et al.
 U.S. Appl. No. 29/624,608 and its entire file history, filed Nov. 2, 2017, Hall et al.
 U.S. Appl. No. 29/624,629 and its entire file history, filed Nov. 2, 2017, Hall et al.
 U.S. Appl. No. 29/624,774 and its entire file history, filed Nov. 3, 2017, Hall et al.
 U.S. Appl. No. 29/666,514 and its entire file history, filed Oct. 12, 2017, Hall et al.
 U.S. Appl. No. 29/624,630 and its entire file history, filed Nov. 2, 2017, Hall et al.
 "Sidekick Bottles," Mountain Dew Wiki, available at http://mountaindew.wikia.com/wiki/Sidekick_Bottles, 2009.
 "4sight and PepsiCo Create Ownable Mountain Dew Bottle," Packaging Design, Jul. 2011.
 "Mountain Dew Sidekick Bottle," CLDesigns, available at http://www.cl-designs.com/#!/_products---md-sidekick, 2011.
 Gatorade G Series Endurance Formula Ready to Drink, Amazon.com, Inc., available at https://www.amazon.com/Gatorade-Endurance-Formula-Ready-Drink/dp/B00DO747KA/ref=pd_lpo_121_tr_t_3?ie=UTF8&refRID=9AVVZPJQE6WVRV5JBR3R&th=1, apparently available Nov. 2014.
 Powerade Orange 32 fl oz Bottle, Amazon.com, Inc., available at https://www.amazon.com/gp/product/B000T9SZX6/ref=pd_sim_325_2?ie=UTF8&pd_rd_i=B000T9SZX6&pd_rd_r=YZKBPFAZT0239PEG56XV&pd_rd_w=WpJOT&pd_rd_wg=YkMp9&psc=1&refRID=YZKBPFAZT0239PEG56XV, apparently available Feb. 2015.
 "Mountain Dew Ownable Structural Equity," <http://www.4sightinc.com/results/page/Mountain-Dew>, © 2012.

* cited by examiner

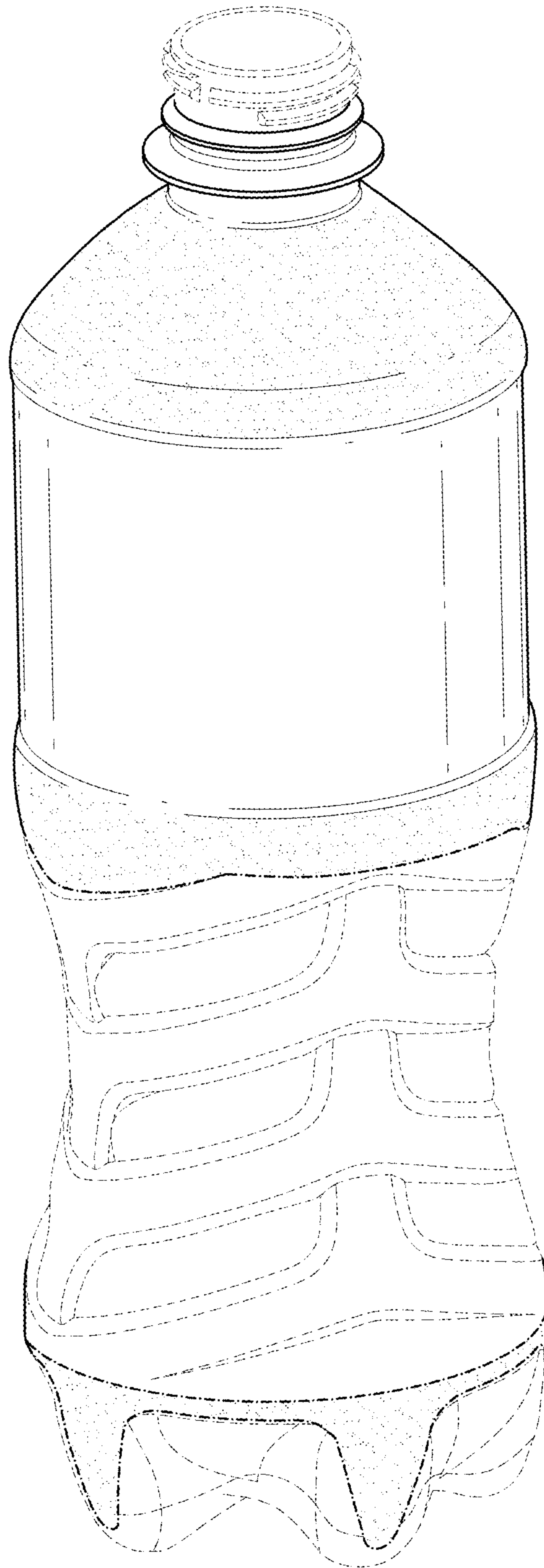


FIG. 1

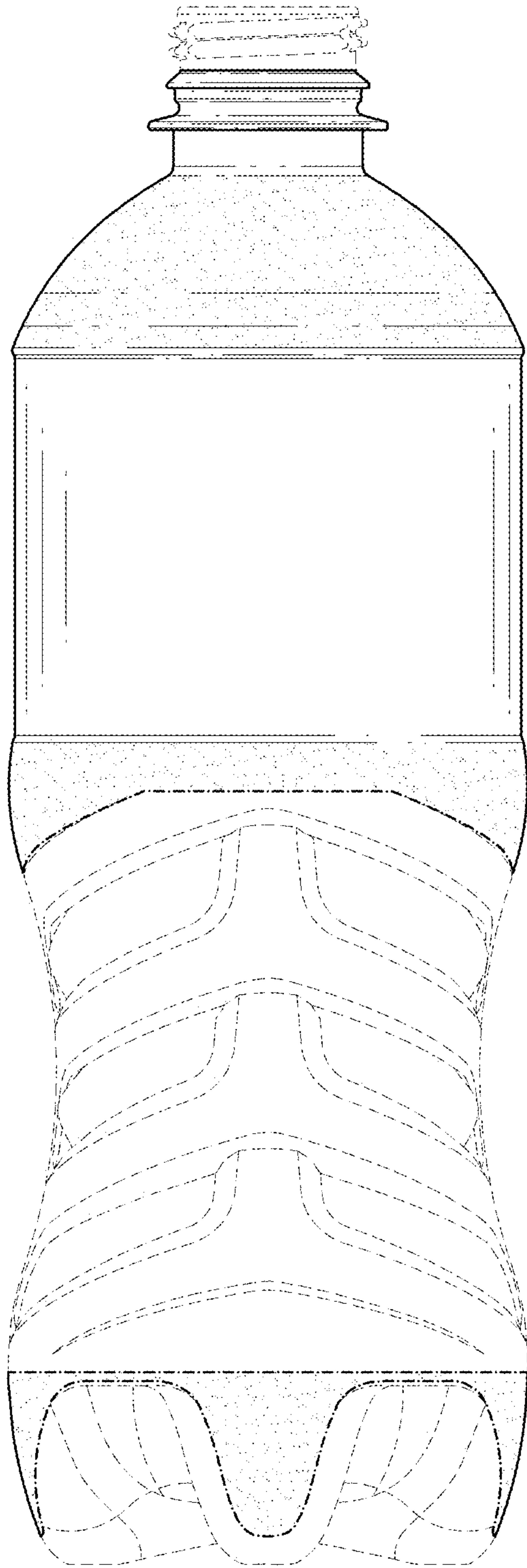


FIG. 2

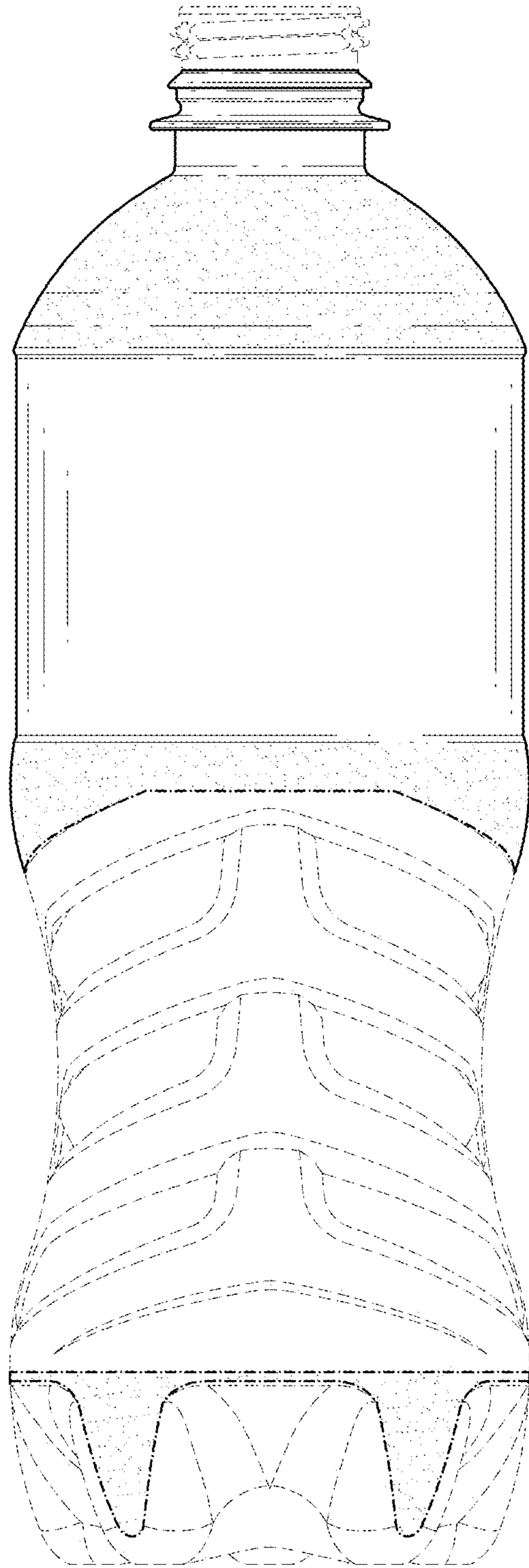


FIG. 3

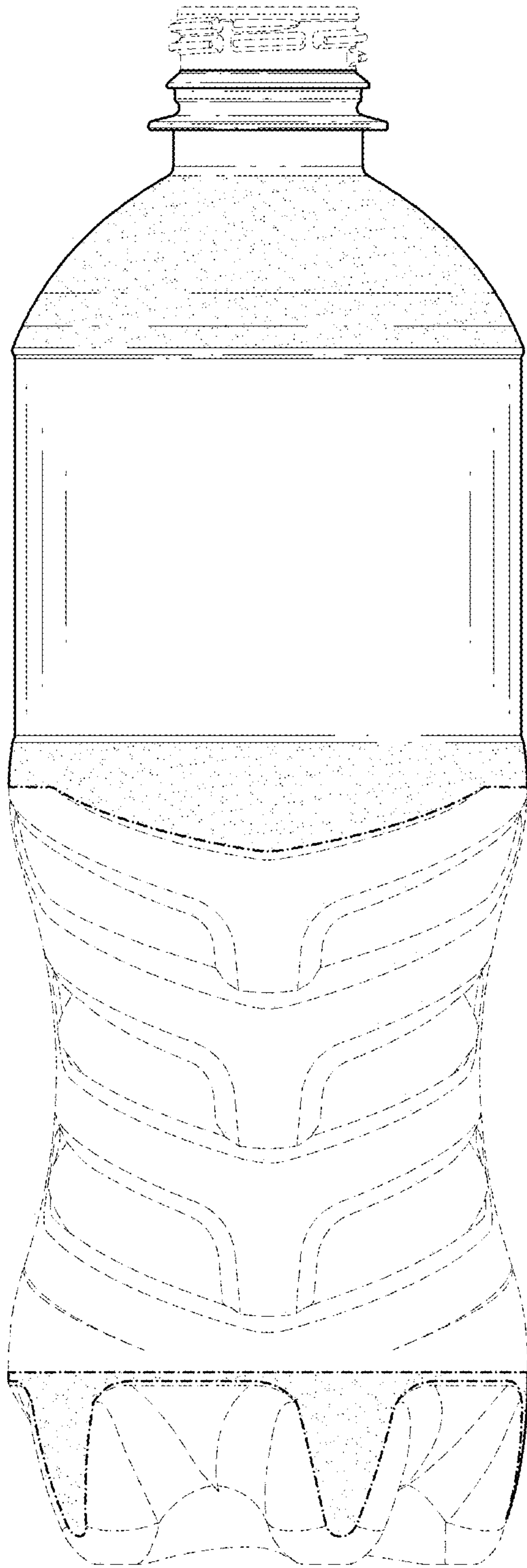


FIG. 4

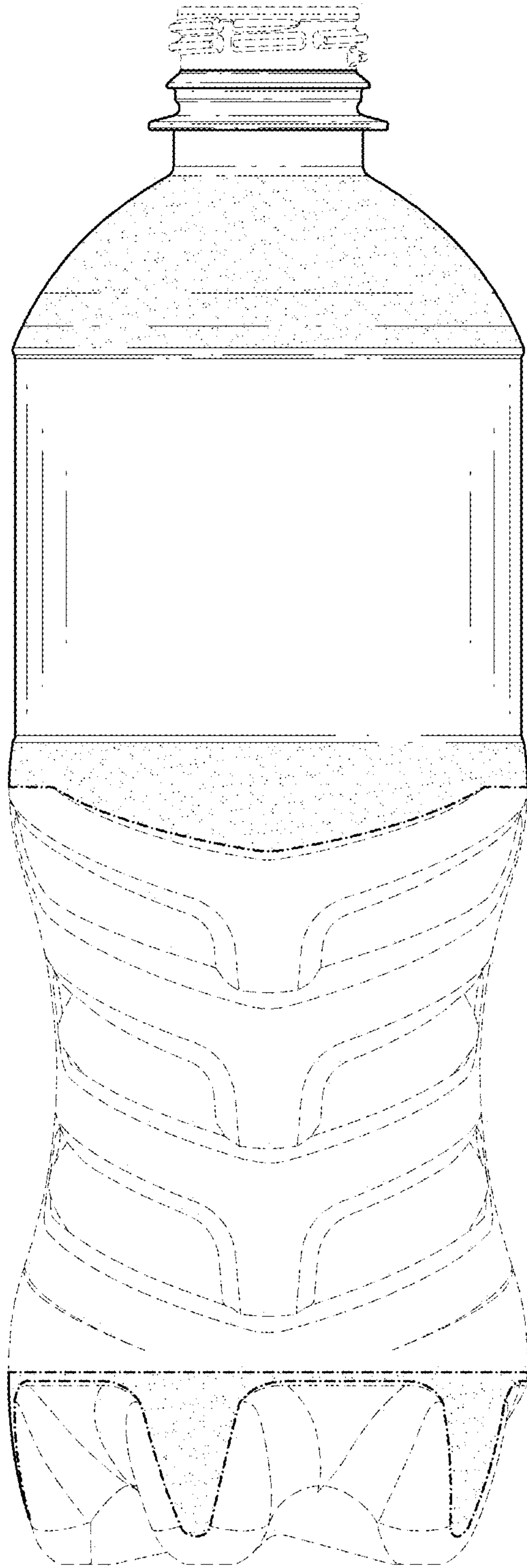


FIG. 5

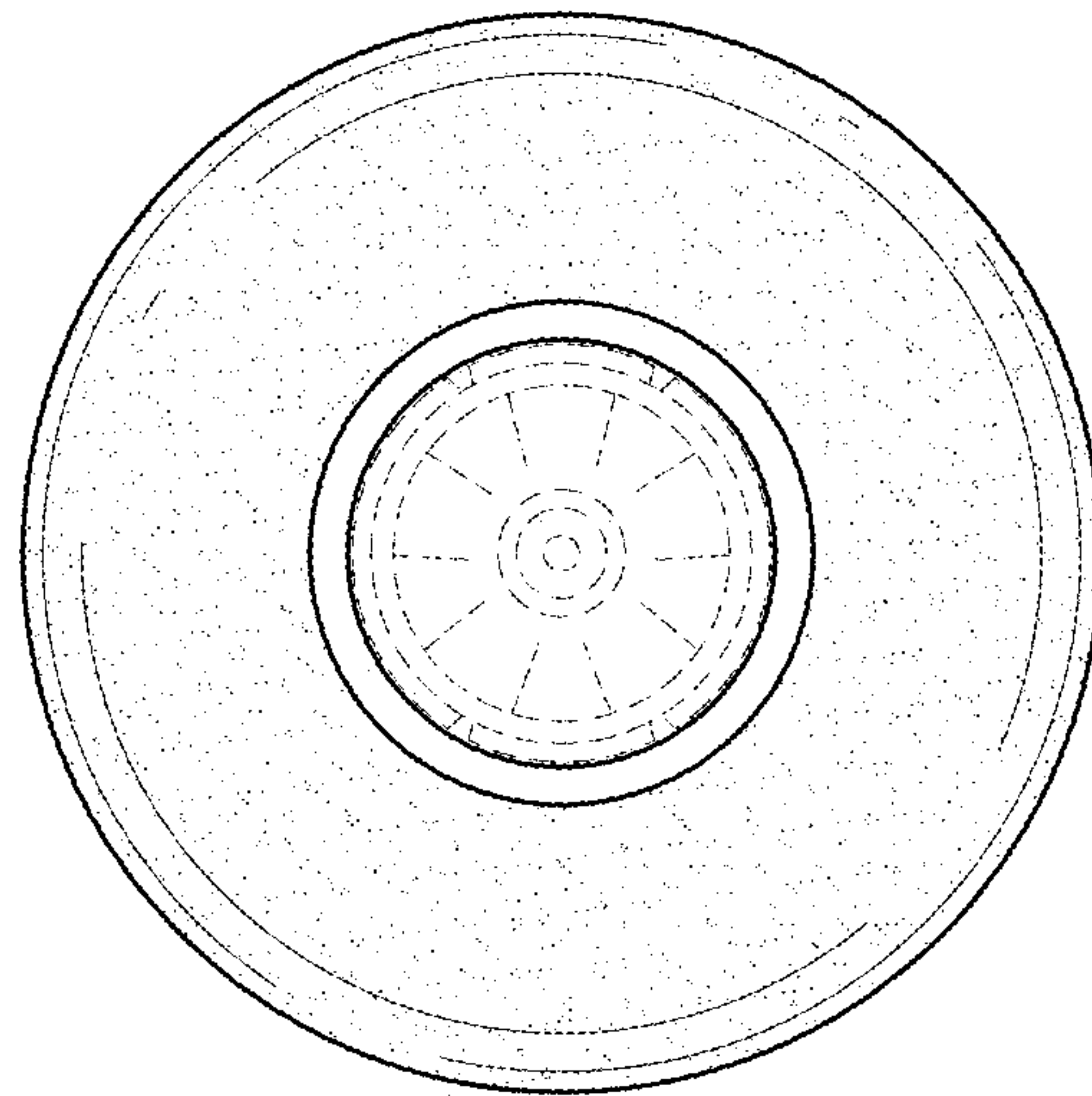


FIG. 6

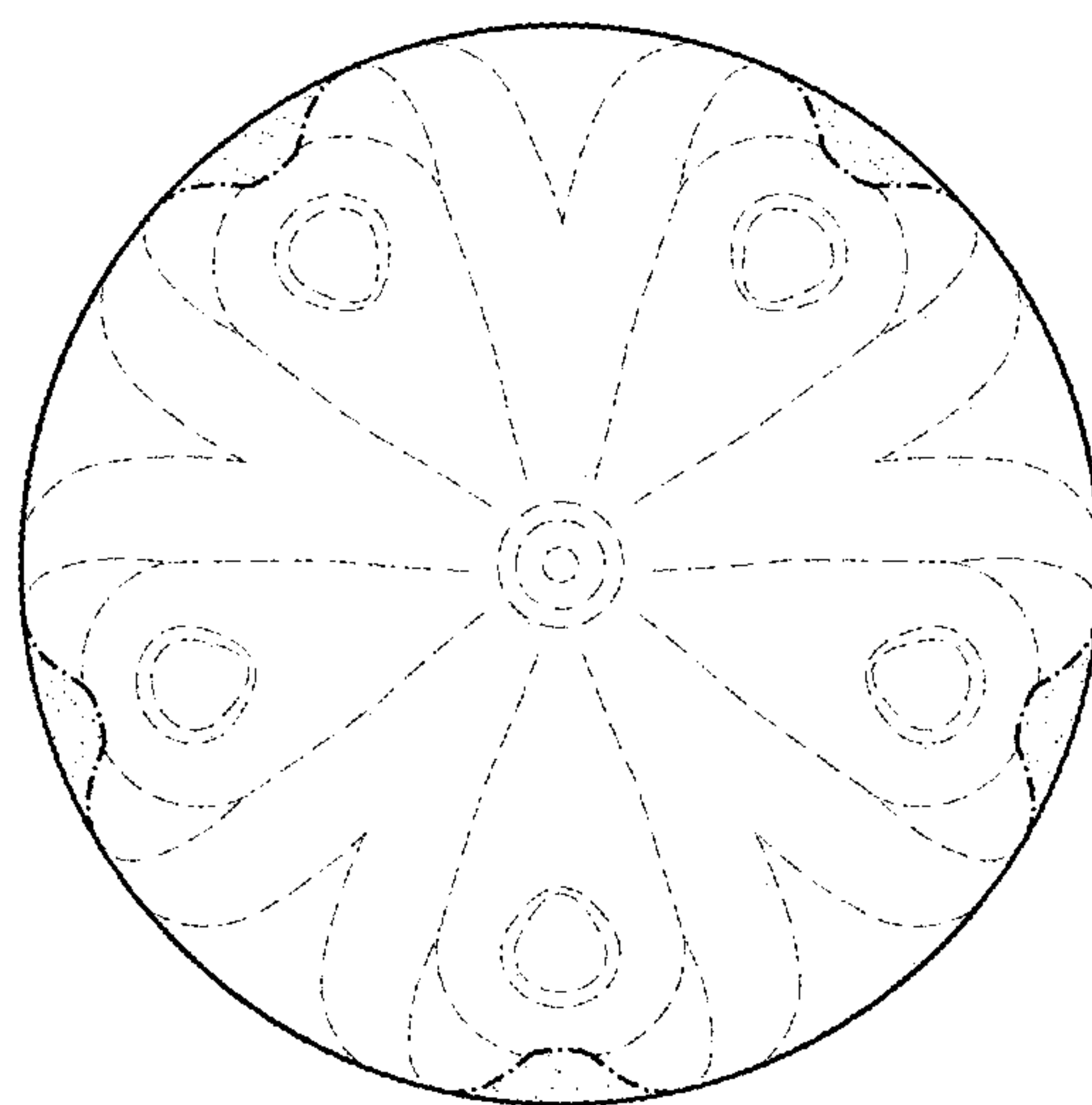


FIG. 7