



US00D875538S

(12) **United States Design Patent** (10) **Patent No.:** **US D875,538 S**
Behnke et al. (45) **Date of Patent:** **** Feb. 18, 2020**

(54) **BOTTLE**

(71) Applicant: **Juice Beauty, Inc.**, San Rafael, CA (US)

(72) Inventors: **Karen Behnke**, San Anselmo, CA (US); **Jessica Gates**, San Francisco, CA (US); **Amber Jordan**, Martinez, CA (US); **Zhanna Kutsenkova**, San Rafael, CA (US)

(73) Assignee: **Juice Beauty, Inc.**, San Rafael, CA (US)

(**) Term: **15 Years**

(21) Appl. No.: **29/638,225**

(22) Filed: **Feb. 26, 2018**

(51) **LOC (12) Cl.** **09-01**

(52) **U.S. Cl.**
USPC **D9/543; D9/552**

(58) **Field of Classification Search**
USPC D9/516, 520, 530, 543, 549, 552, 563, D9/565, 569, 571, 575, 685, 693, 715, D9/719
CPC . B65D 1/00; B65D 1/02; B65D 1/023; B65D 1/0223; B65D 1/0276
See application file for complete search history.

(56) **References Cited**

U.S. PATENT DOCUMENTS

D538,673 S *	3/2007	Sterling	D9/552
D594,341 S *	6/2009	Casey	D9/542
D600,127 S *	9/2009	Kuzma	D9/530
D635,462 S *	4/2011	Kuzma	D9/542
D640,560 S *	6/2011	Snyder	D9/500
D719,031 S *	12/2014	Teitelbaum	D9/565

D758,874 S *	6/2016	Nguyen	D9/520
D773,306 S *	12/2016	Toh	D9/449
D773,312 S *	12/2016	Flood	D9/562
D784,148 S *	4/2017	Toh	D9/550
D798,155 S *	9/2017	Dominick	D9/516
D801,822 S *	11/2017	Toh	D9/565
D820,095 S *	6/2018	Palm	D9/542

* cited by examiner

Primary Examiner — Shannon W Morgan

Assistant Examiner — Keith Frank

(74) *Attorney, Agent, or Firm* — Kilpatrick Townsend & Stockton LLP

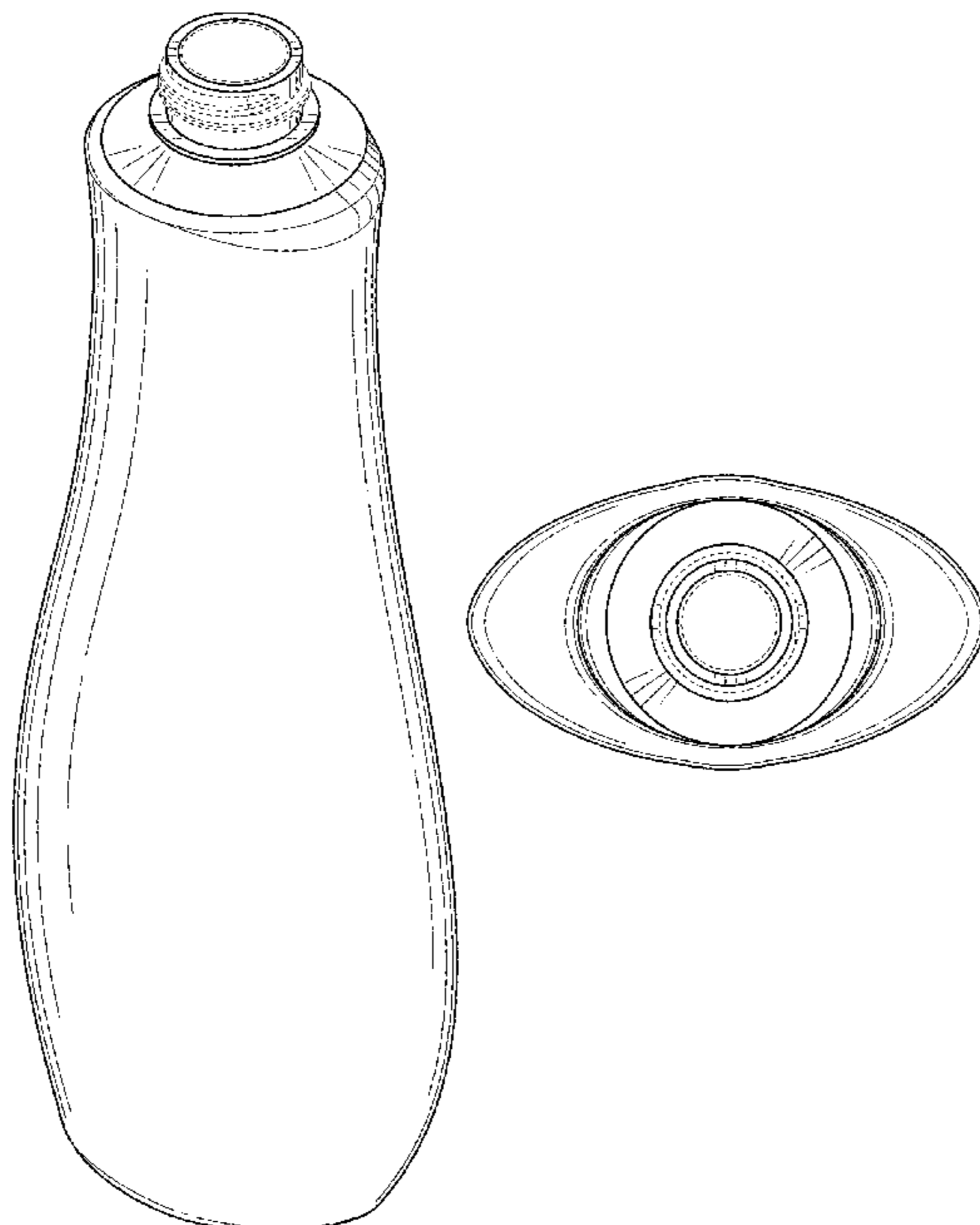
(57) **CLAIM**

The ornamental design for a bottle, as shown and described.

DESCRIPTION

FIG. 1 is a perspective view of a bottle showing our new design;
FIG. 2 is a second perspective view thereof;
FIG. 3 is a front view thereof;
FIG. 4 is a rear view thereof;
FIG. 5 is a right view thereof;
FIG. 6 is a left view thereof;
FIG. 7 is a top view thereof;
FIG. 8 is a bottom view thereof;
FIG. 9 is a front view thereof showing a cap for environment only;
FIG. 10 is a left view thereof showing a cap for environment only; and,
FIG. 11 is a top view thereof showing a cap for environment only.
The evenly spaced broken lines of FIGS. 1-7 show portions of the bottle which form no part of the claimed design. The evenly spaced broken lines of FIGS. 9-11 show an environmental cap which forms no part of the claimed design.

1 Claim, 11 Drawing Sheets



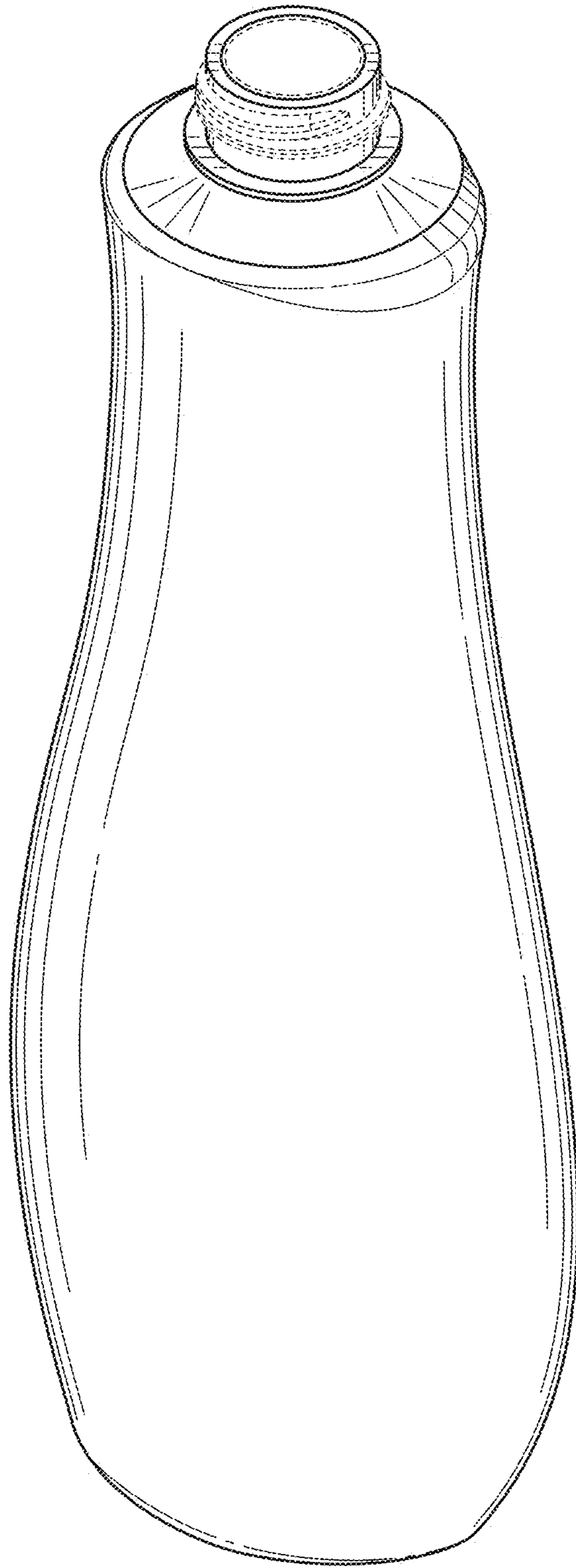


FIG. 1

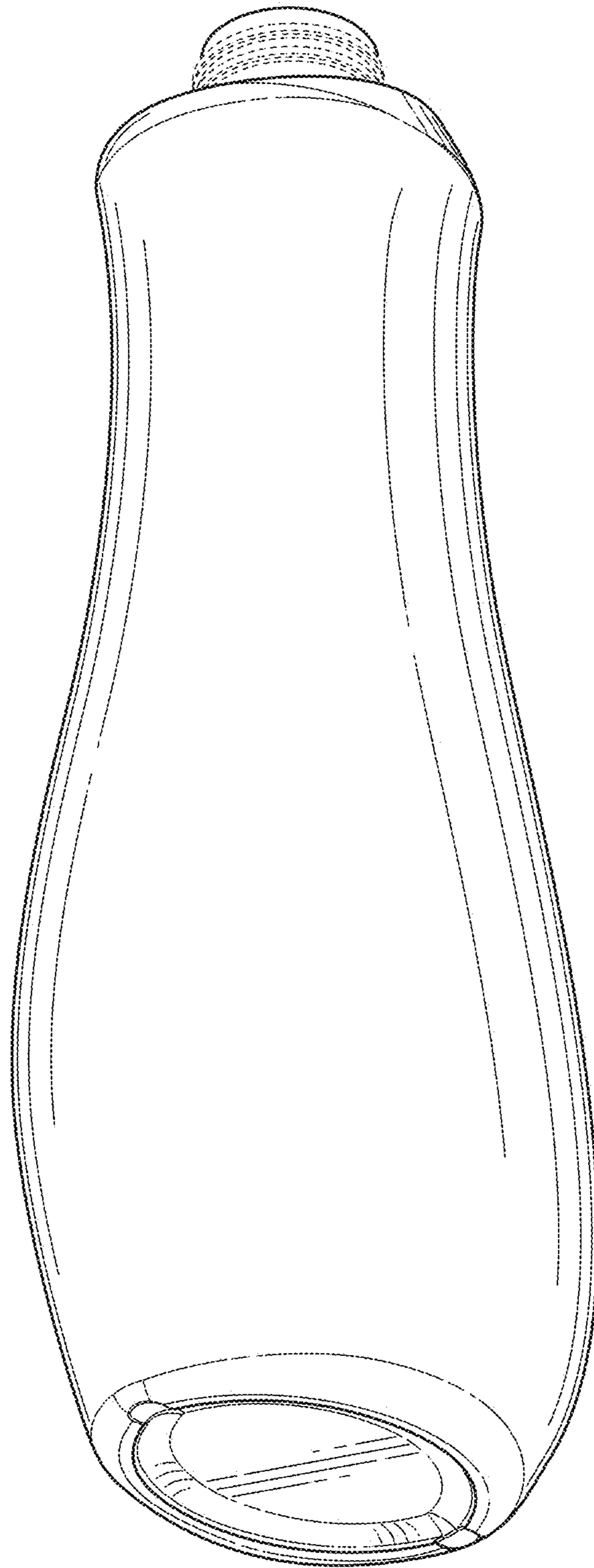


FIG. 2

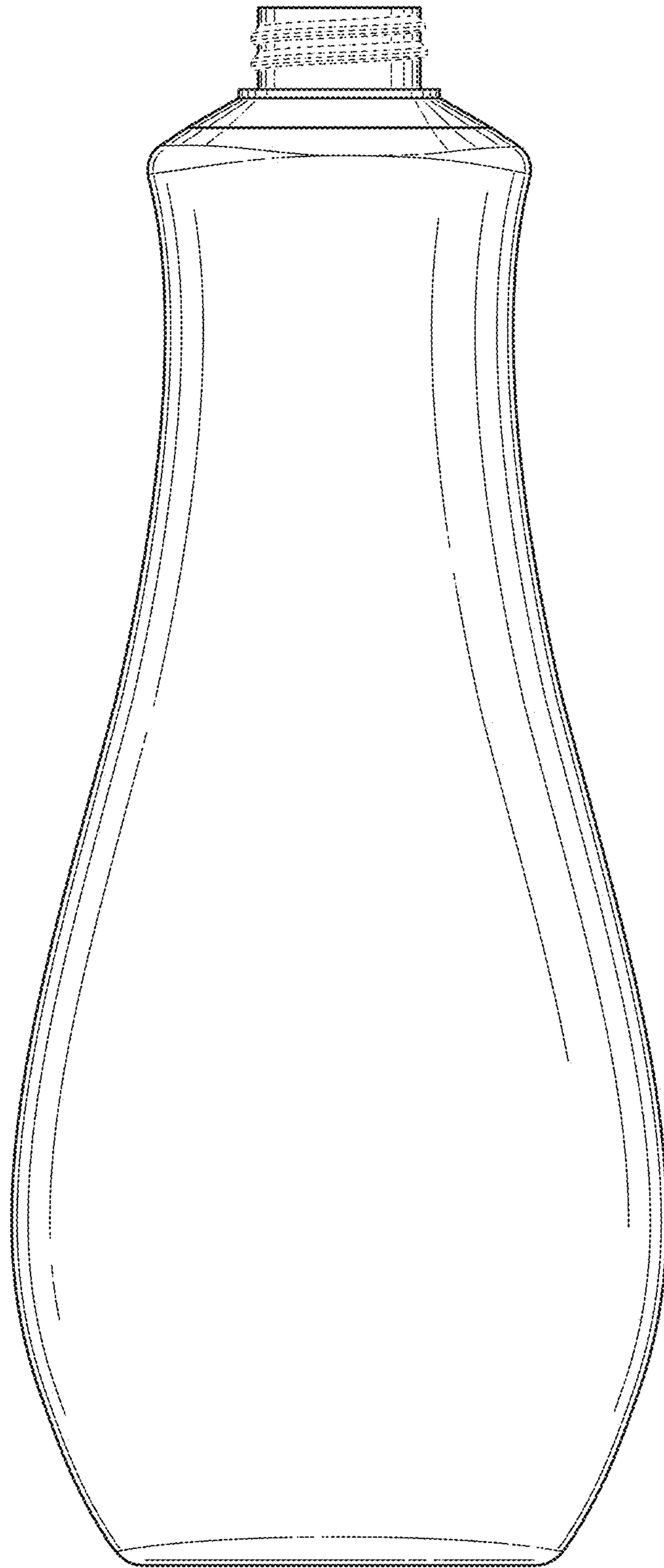


FIG. 3

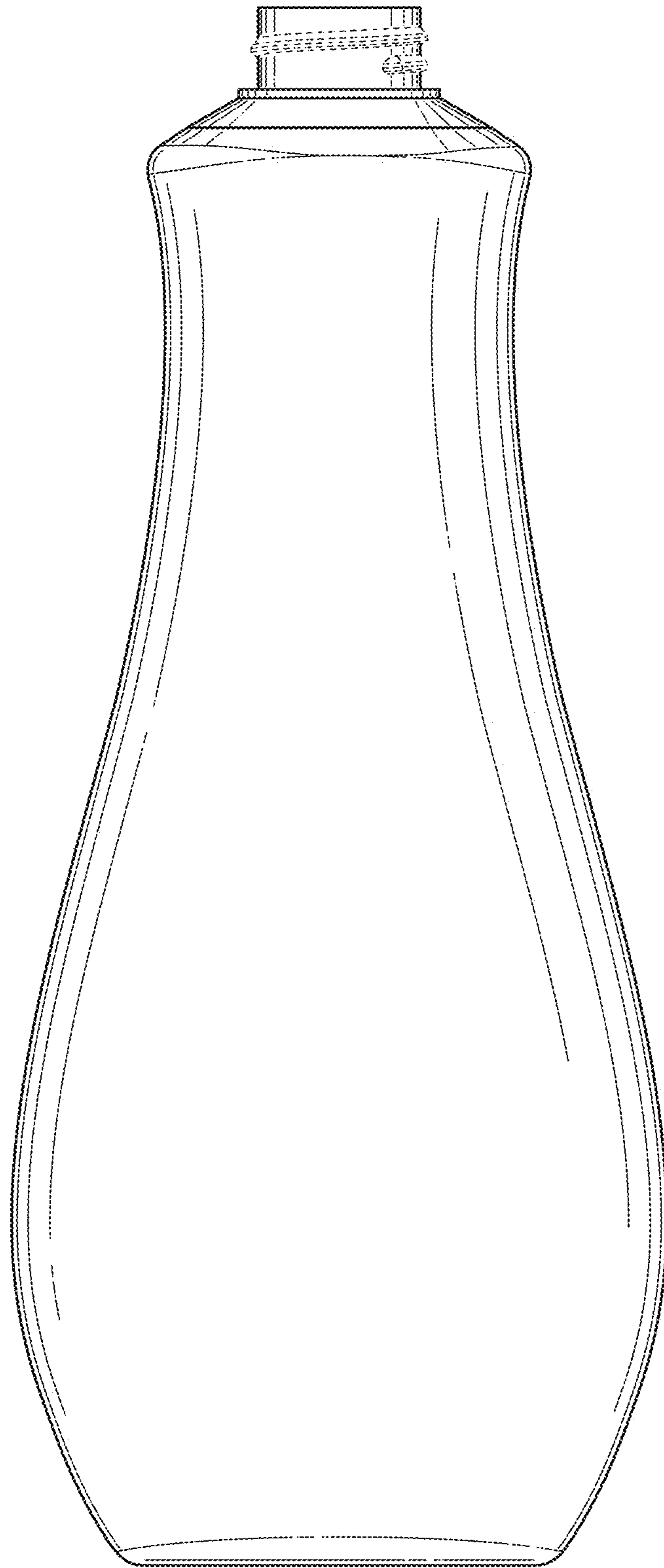


FIG. 4

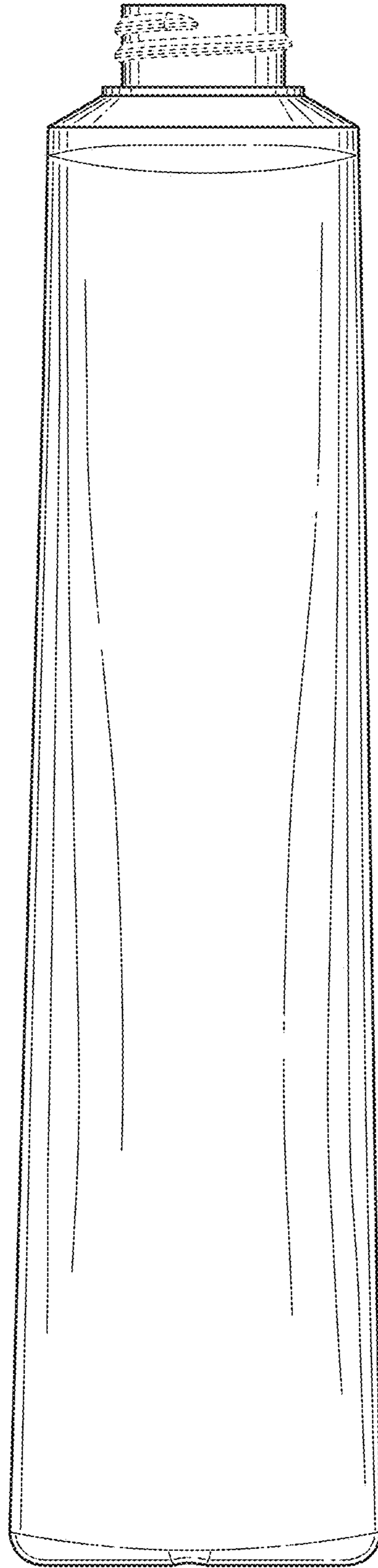


FIG. 5

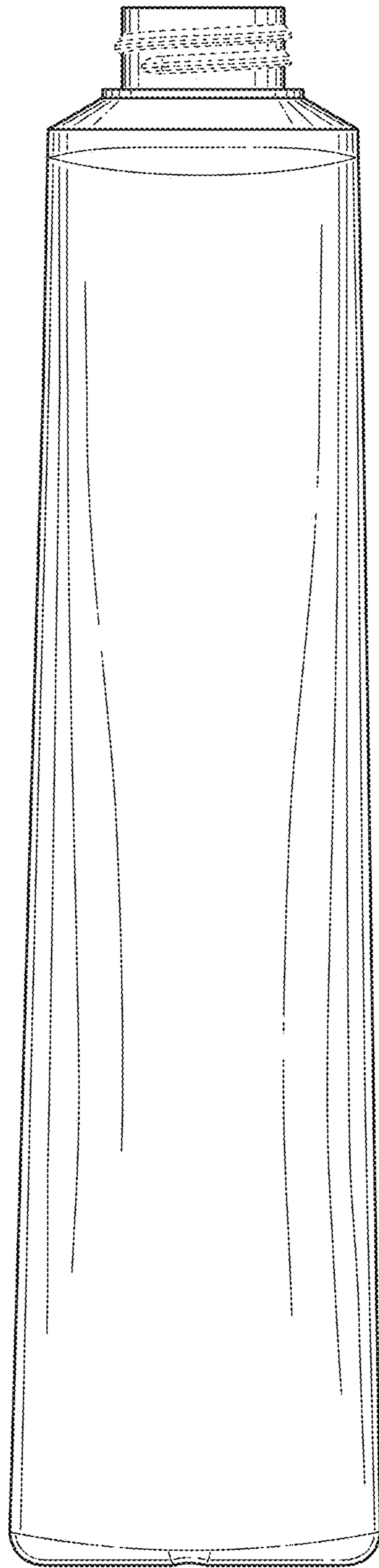


FIG. 6

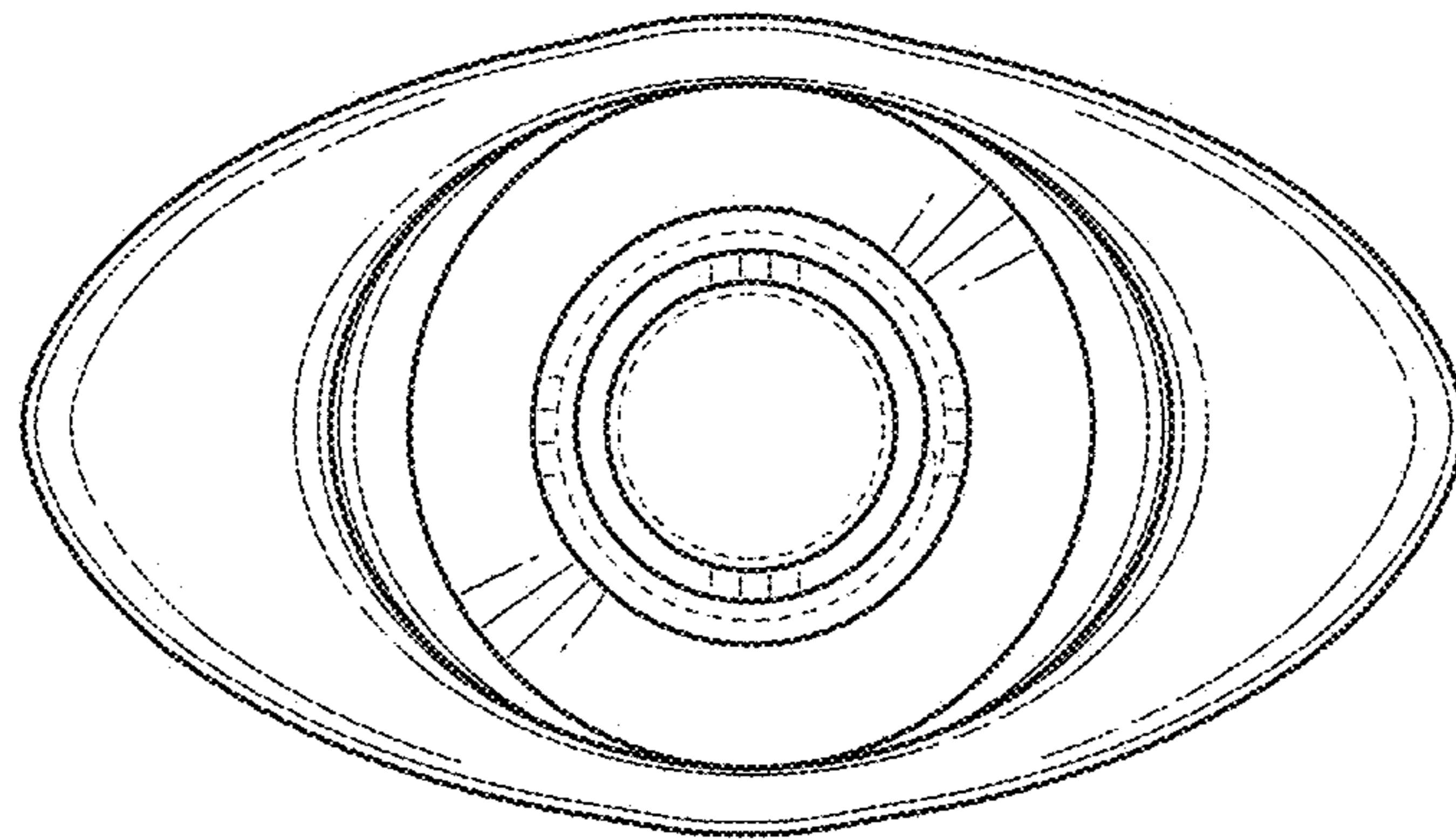


FIG. 7

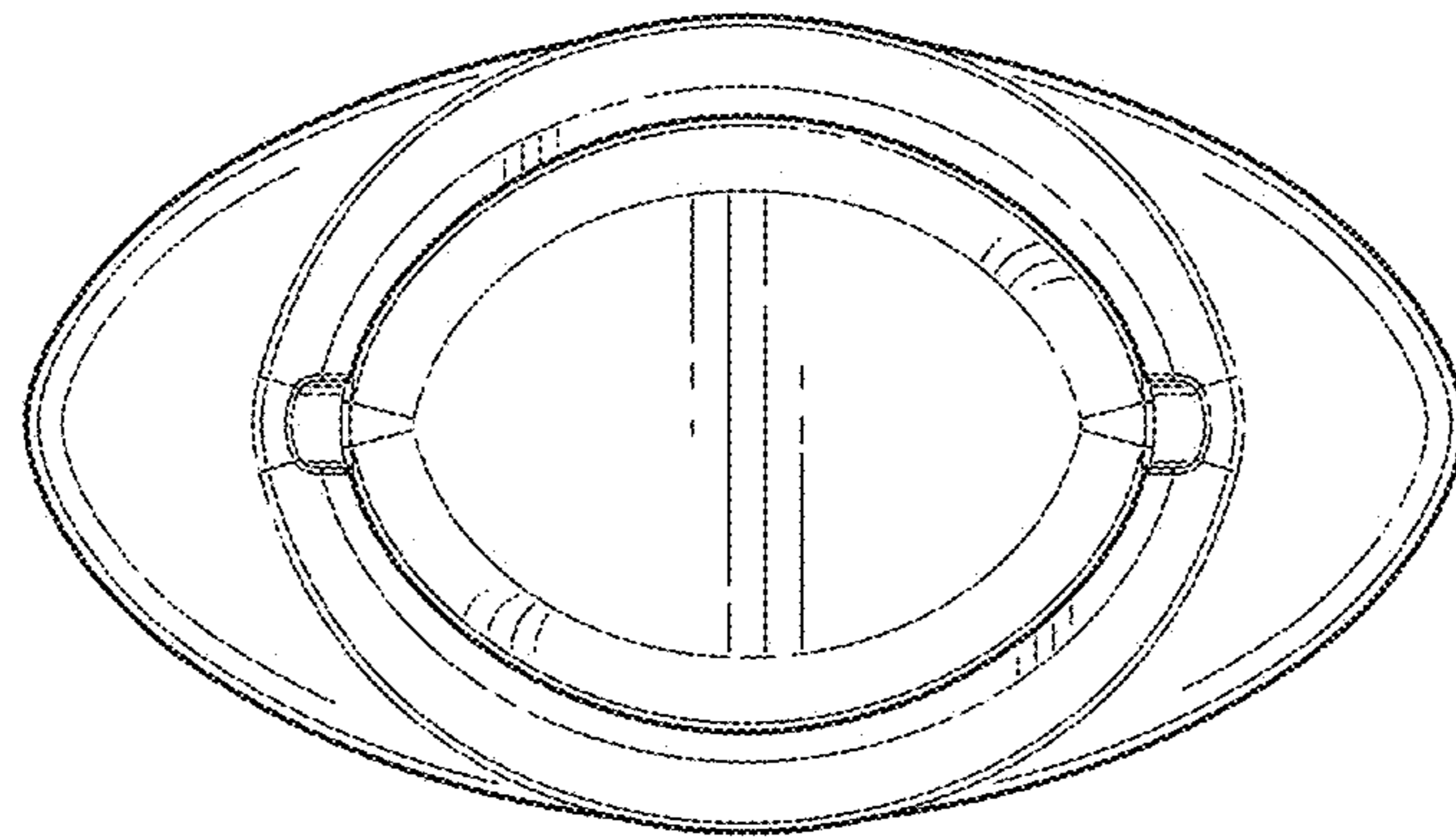


FIG. 8

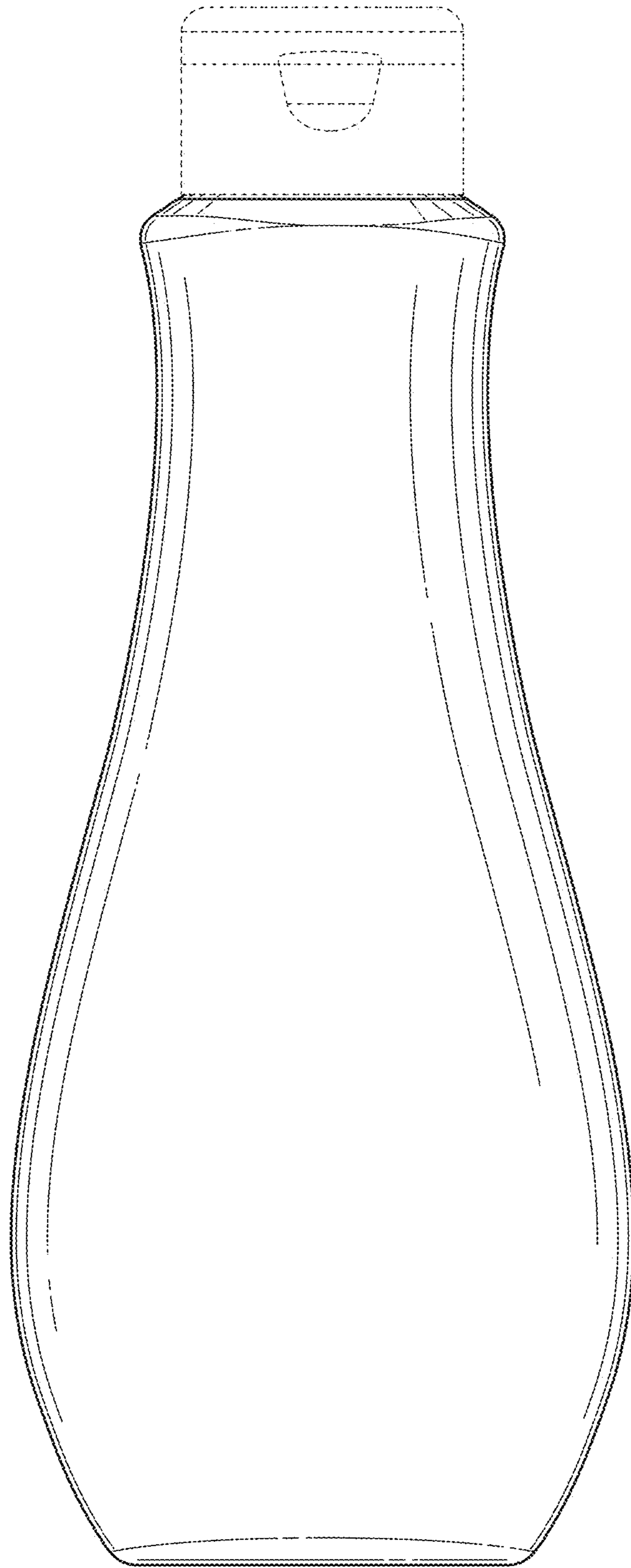


FIG. 9

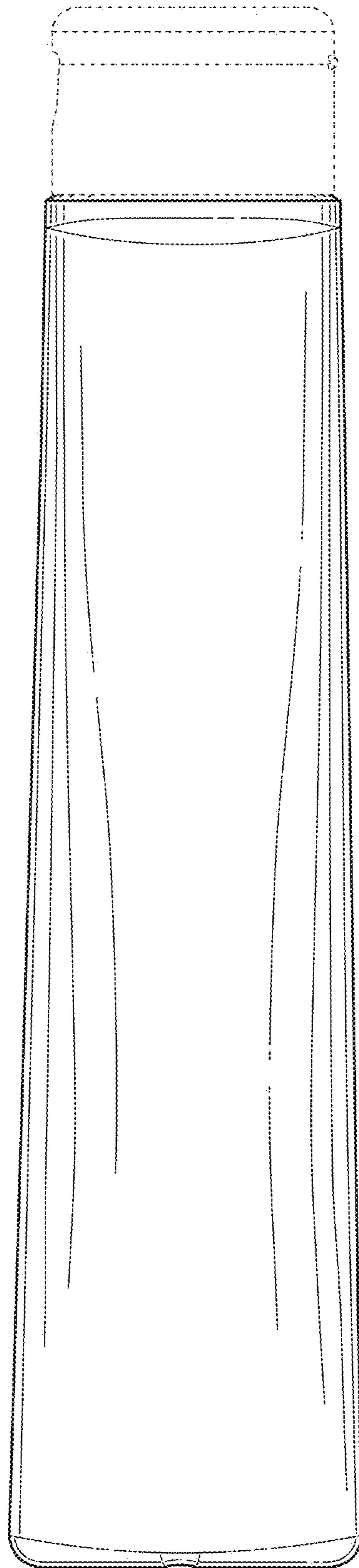


FIG. 10

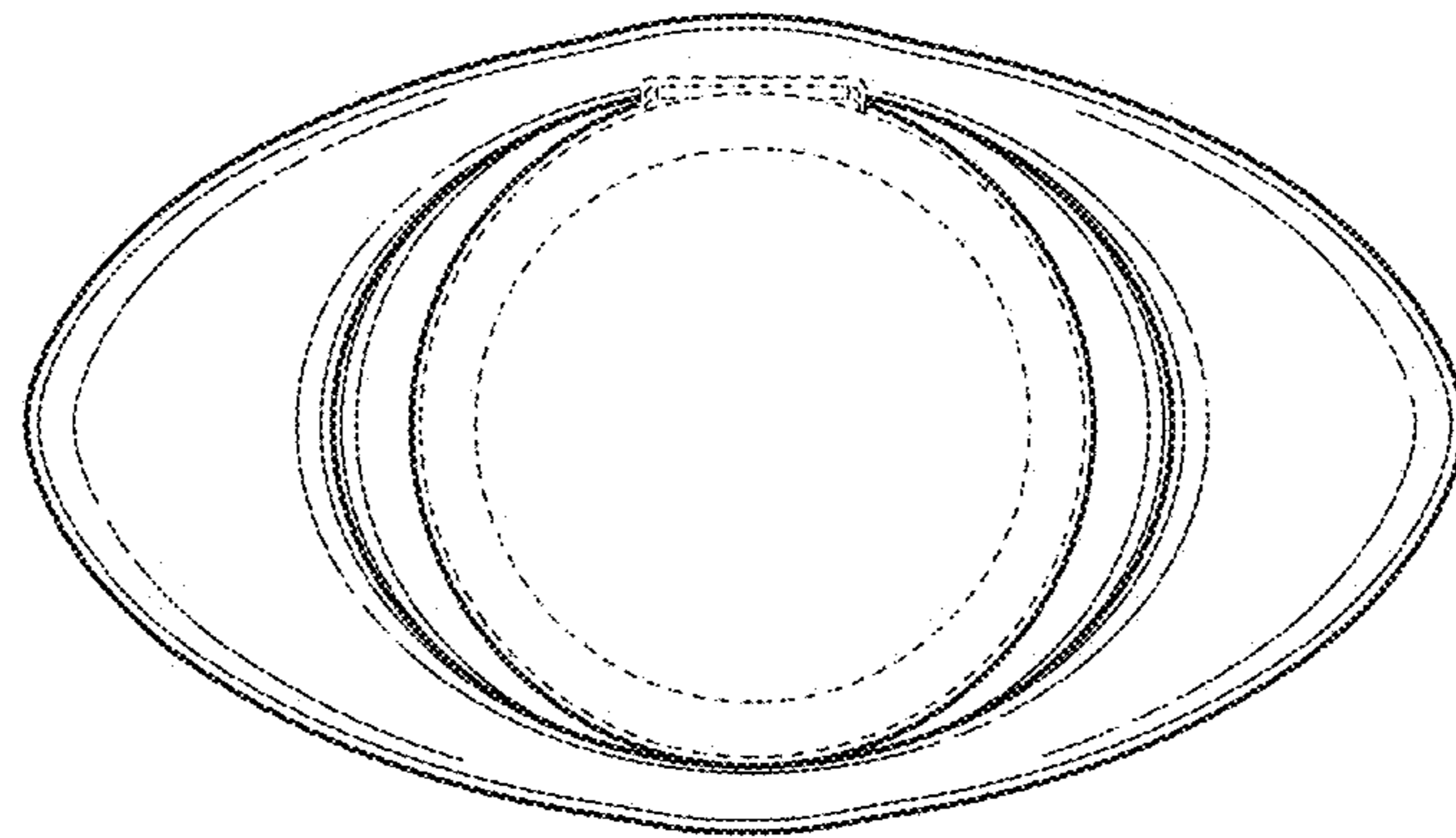


FIG. 11