



US00D875537S

(12) **United States Design Patent** (10) **Patent No.:** **US D875,537 S**  
**Sheridan et al.** (45) **Date of Patent:** **\*\* Feb. 18, 2020**

- (54) **BOTTLE**
  - (71) Applicant: **Conopco, Inc.**, Englewood Cliffs, NJ (US)
  - (72) Inventors: **Mary Margaret Sheridan**, Stamford, CT (US); **Scot Lawrence Forrest**, Wolcott, CT (US)
  - (73) Assignee: **Conopco, Inc.**, Englewood Cliffs, NJ (US)
  - (\*\*) Term: **15 Years**
  - (21) Appl. No.: **29/603,534**
  - (22) Filed: **May 10, 2017**
  - (51) **LOC (12) Cl.** ..... **09-01**
  - (52) **U.S. Cl.**  
USPC ..... **D9/542**; D9/558; D9/574
  - (58) **Field of Classification Search**  
USPC ..... D9/516, 530, 542, 549, 558, 571, 574, D9/682, 715, 719; D6/542  
CPC ..... B65D 1/00; B65D 1/02; B65D 1/0223; B65D 23/00; B65D 81/00; B65D 2501/00; B65D 2501/0009; B65D 2501/0081
- See application file for complete search history.

- (56) **References Cited**  
U.S. PATENT DOCUMENTS
- |             |         |                 |
|-------------|---------|-----------------|
| D48,119 S   | 11/1915 | Luyties         |
| D62,051 S   | 3/1923  | Ballard         |
| D71,554 S   | 11/1926 | Gallett         |
| D85,694 S   | 12/1931 | Hicks           |
| D88,231 S   | 8/1932  | Katzman         |
| 2,015,664 A | 10/1935 | Eichstadt       |
| D117,997 S  | 5/1939  | Kaplan          |
| D117,835 S  | 11/1939 | Meyer           |
| D168,390 S  | 12/1952 | Baird           |
| D186,063 S  | 1/1959  | Schaefer et al. |
| 2,870,953 A | 1/1959  | Parker et al.   |
| D185,526 S  | 6/1959  | Alvey           |

- D202,219 S 9/1965 Drummond, Jr.
  - D205,554 S \* 8/1966 St. Clair ..... D9/545
  - D205,731 S 9/1966 Levy
  - D225,834 S 1/1973 Kneapler
  - 3,881,490 A 5/1975 Whitehead et al.
  - D236,586 S 9/1975 McDonald
- (Continued)

FOREIGN PATENT DOCUMENTS

- CN 201130410542 11/2011
  - CN 303504603 12/2015
- (Continued)

OTHER PUBLICATIONS

Nourishing Deep Moisture Hand Wash, Mintel, May 2007, <http://www.gnpd.com>.

(Continued)

*Primary Examiner* — Dana Meyrow  
(74) *Attorney, Agent, or Firm* — Gerard J. McGowan, Jr.

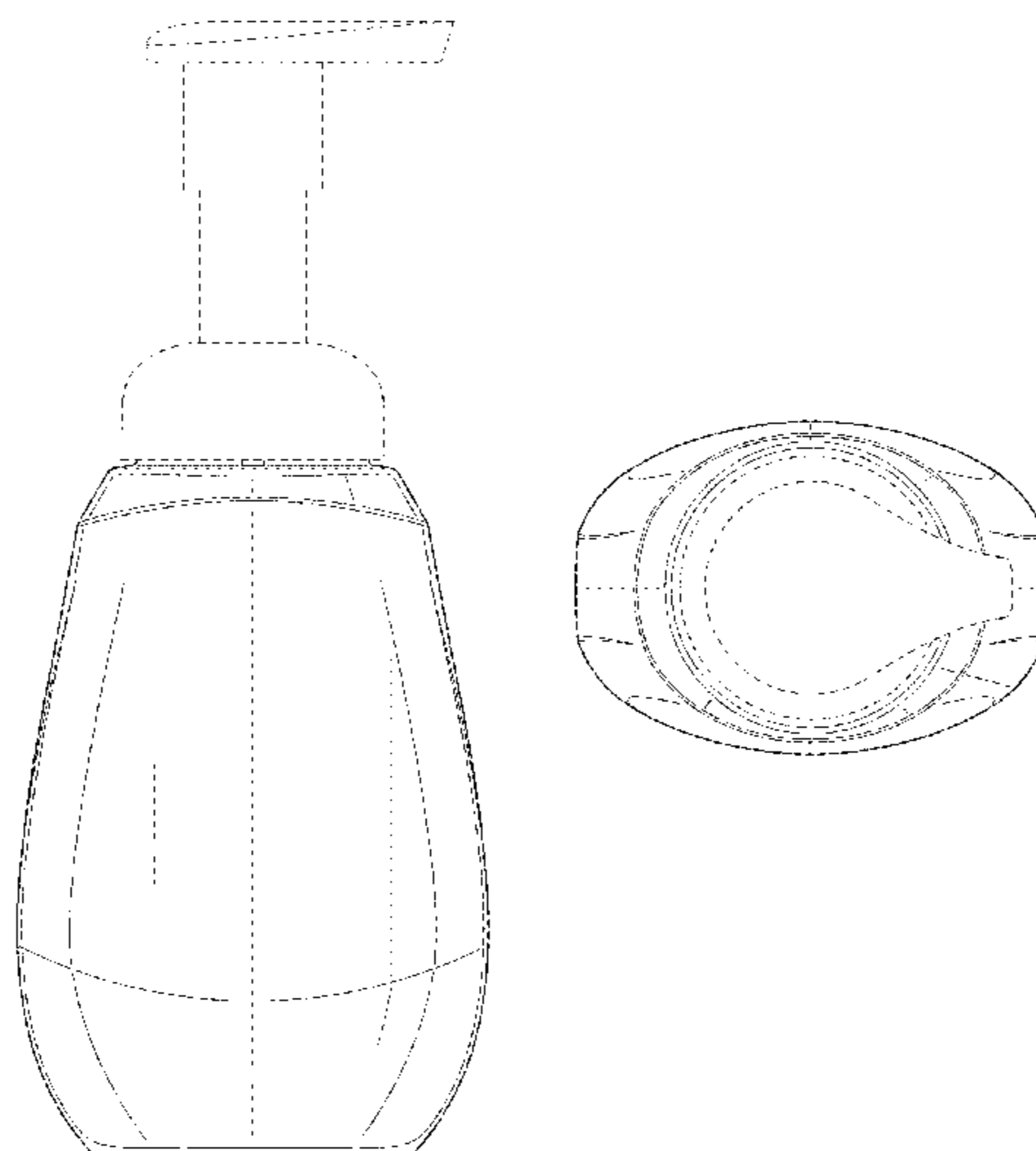
(57) **CLAIM**

We claim the ornamental design for a bottle, as shown and described.

**DESCRIPTION**

FIG. 1 is a perspective view from above and the right of our bottle.  
FIG. 2 is front elevational view of our bottle.  
FIG. 3 is a rear elevational view of our bottle.  
FIG. 4 is a side elevational view of our bottle from the left side.  
FIG. 5 is a side elevational view of our bottle from the right side.  
FIG. 6 is a top plan view of our bottle; and,  
FIG. 7 is a bottom plan view of our bottle.  
The broken lines in the drawings illustrate the portions of the bottle that form no part of the claim.

**1 Claim, 5 Drawing Sheets**



(56)

## References Cited

## U.S. PATENT DOCUMENTS

D237,257 S	10/1975	Schweizer	
D238,554 S	1/1976	Pardo	
D239,368 S	* 3/1976	McDonald	D9/558
D243,278 S	2/1977	Appleman	
D244,351 S	5/1977	Pardo	
D252,032 S	6/1979	Popeck	
D256,062 S	7/1980	Joachim et al.	
D257,295 S	10/1980	Joachim et al.	
D257,504 S	11/1980	Weckman	
D266,990 S	11/1982	Cook	
D279,077 S	6/1985	Drummond, Jr. et al.	
D280,386 S	9/1985	Dinand	
D284,739 S	7/1986	Thieffry	
D311,685 S	10/1990	Tozawa	
D333,387 S	2/1993	Guay	
D335,259 S	* 5/1993	Waine	D9/574
D353,775 S	12/1994	Thompson	
D376,310 S	12/1996	Crawford	
D376,320 S	12/1996	Lathrop et al.	
D407,316 S	3/1999	Zaksenberg	
D413,807 S	9/1999	Mikla	
D414,117 S	9/1999	Mikla	
D425,429 S	5/2000	Weber	
D433,932 S	11/2000	Kuzma et al.	
D440,159 S	4/2001	Guislain	
D441,292 S	5/2001	Mohary et al.	
D447,953 S	9/2001	Brynstad et al.	
D450,593 S	11/2001	Jebb et al.	
D460,686 S	7/2002	Crawford et al.	
D463,983 S	10/2002	Wendt et al.	
D465,150 S	11/2002	Crawford et al.	
D470,416 S	2/2003	Blair et al.	
D478,273 S	8/2003	Derman	
D481,639 S	11/2003	Crawford	
D485,747 S	1/2004	Crawford	
D495,604 S	9/2004	Lund et al.	
D496,866 S	10/2004	Cornell	
D498,145 S	11/2004	McLeish	
D498,422 S	11/2004	Theunynck	
D502,110 S	2/2005	Theunynck	
D503,612 S	4/2005	Krebsbach et al.	
D510,033 S	9/2005	McLeish	
D521,873 S	5/2006	Ross	
D522,876 S	6/2006	Braaten et al.	
D524,166 S	7/2006	Walther et al.	
D525,437 S	7/2006	Leisch et al.	
D525,531 S	* 7/2006	Bansal	D9/551
D530,618 S	10/2006	Estabrook et al.	
D531,908 S	11/2006	Mayers	
D532,698 S	11/2006	Pridmore et al.	
D533,073 S	12/2006	Brunner et al.	
D536,987 S	* 2/2007	Estabrook	D9/551
D538,665 S	3/2007	Wilson et al.	
D538,673 S	3/2007	Sterling et al.	
D542,663 S	5/2007	Dziersk et al.	
D545,210 S	6/2007	Armstrong et al.	
D545,211 S	6/2007	Armstrong et al.	
D554,495 S	11/2007	Naji	
D558,590 S	1/2008	Cowan-Hughes et al.	
D565,422 S	4/2008	Cowan-Hughes et al.	
D565,955 S	4/2008	Bernard et al.	
D583,568 S	12/2008	Sordi	
D584,515 S	1/2009	Storz	
D587,590 S	3/2009	Crawford et al.	
D587,591 S	3/2009	Crawford	
D587,592 S	3/2009	Crawford	
D587,593 S	3/2009	Crawford	
D587,594 S	3/2009	Crawford	
D589,357 S	3/2009	Crawford	
D593,863 S	* 6/2009	Fahy	D9/516
D594,338 S	6/2009	Harrison et al.	
D601,899 S	10/2009	Davis et al.	
D601,907 S	10/2009	Gainey et al.	
D607,734 S	1/2010	Kuzma et al.	
D607,735 S	1/2010	Kuzma et al.	
D607,742 S	1/2010	Kuzma et al.	
D612,737 S	3/2010	Bansal	
D613,176 S	4/2010	Gameros et al.	
D614,960 S	5/2010	Floyd et al.	
D614,967 S	5/2010	Chertoff et al.	
D615,411 S	5/2010	Kuzma et al.	
D616,305 S	5/2010	Kuzma et al.	
D617,646 S	6/2010	Kuzma et al.	
D619,460 S	7/2010	Beckerman	
D617,100 S	8/2010	Langes-Swarovski	
D621,273 S	8/2010	Bruscha et al.	
7,771,648 B2	8/2010	Sheehan et al.	
D634,213 S	3/2011	Thompson	
D635,860 S	4/2011	Sahu et al.	
D644,441 S	6/2011	Hutchison	
D643,737 S	8/2011	Handy	
D646,572 S	10/2011	Koeleman	
D646,575 S	10/2011	Davis et al.	
D649,478 S	11/2011	Kim	
D650,994 S	12/2011	Sheehan et al.	
D653,039 S	1/2012	Mullins	
D654,800 S	2/2012	Geeraert et al.	
D657,258 S	4/2012	Geeraert et al.	
D659,857 S	5/2012	Schober et al.	
D668,057 S	10/2012	Morrow, III	
D669,360 S	10/2012	Kuzma	
D670,169 S	11/2012	Victorino et al.	
D672,967 S	12/2012	Sheehan et al.	
D675,258 S	1/2013	Krohmer et al.	
D683,183 S	5/2013	Dunn et al.	
D683,227 S	5/2013	Balini	
D688,561 S	8/2013	Bunce et al.	
D689,368 S	9/2013	Kim	
D690,600 S	10/2013	Reynolds	
D691,044 S	10/2013	Toh et al.	
D691,045 S	10/2013	Toh et al.	
D694,114 S	11/2013	Lecetre et al.	
D695,609 S	12/2013	Rubio	
D705,068 S	5/2014	Janssen et al.	
D716,661 S	11/2014	Dubitsky	
D716,665 S	11/2014	O'Donahue	
D719,453 S	12/2014	Bunce et al.	
D720,623 S	1/2015	Bunce et al.	
D723,381 S	3/2015	O'Donahue	
D724,435 S	3/2015	Kaufman et al.	
D730,737 S	6/2015	Bunce et al.	
D731,315 S	6/2015	Pires et al.	
D735,575 S	8/2015	Rubio	
D736,639 S	8/2015	McCay et al.	
D737,684 S	9/2015	de Cleir et al.	
D739,735 S	9/2015	Darling et al.	
D741,191 S	10/2015	Babel	
D744,847 S	12/2015	Flood	
D748,490 S	2/2016	Allan	
D756,665 S	5/2016	Blythe et al.	
D757,450 S	5/2016	Sierra et al.	
D757,553 S	5/2016	Pires et al.	
D757,555 S	5/2016	Pires	
D757,557 S	5/2016	Melms, Jr. et al.	
D758,193 S	6/2016	Pires	
D766,512 S	9/2016	Teller et al.	
D773,193 S	12/2016	Hurley	
D773,307 S	12/2016	Ashbee	
D774,398 S	12/2016	Ashbee	
D793,098 S	1/2017	Collis	
D779,320 S	2/2017	Rubio	
D781,701 S	3/2017	Brody et al.	
D786,684 S	5/2017	McGreevy et al.	
D792,780 S	7/2017	Jost	
D794,462 S	8/2017	Gerhards	
D794,469 S	* 8/2017	Yen	D9/563
D820,099 S	6/2018	Shoji	
D827,442 S	9/2018	Stone et al.	
2006/0011316 A1	1/2006	Kressner et al.	

(56)

**References Cited**

U.S. PATENT DOCUMENTS

2015/0191271 A1 7/2015 Masague  
 2017/0120273 A1 5/2017 Goldstein

FOREIGN PATENT DOCUMENTS

DE	002760538-0001	8/2015
EM	002492942-0001	6/2014
JP	D1313169	10/2007
JP	D1373527	11/2009
JP	D1388958	5/2010
KR	3003741510000	3/2005
KR	3004280750000	10/2006
KR	3004590580000	8/2007
KR	3020130051120	5/2014
RU	00056885	6/2005
WO	WOD096643-0002	7/2018

OTHER PUBLICATIONS

Aloe Pump, Already on market before priority date.  
 Biore Pump, Already on market before priority date.

Dove Pump Design, Already on market before priority date.  
 Lingle, Rick, Hellmann's squeezes improvements out of mayo bottle, Packaging Digest.com, Mar. 24, 2015, 1 page; Available online at <<http://www.packagingdigest.com/food-packaging/hellmanns-squeeze-bottles-out-of-mayo-bottle1503>>.  
 Plastic Foamer, Already on market before priority date.  
 Snow White Pump, Already on market before priority date.  
 Co-pending application Forrest et al., U.S. Appl. No. 29/611,890, filed Jul. 26, 2017.  
 Co-pending application Shoji, U.S. Appl. No. 29/555,891, filed Feb. 25, 2016.  
 Co-pending application Sheridan et al., U.S. Appl. No. 29/603,530, filed May 10, 2017.  
 Dove Beauty Moisture Body Wash; Of Toys and Co; Sep. 26, 2010; pp. 1-3.  
 Beistle Zebra Print Favor Boxes; Amazon.com; 2013; 1 page.  
 Shutterstock Photos and Comments; Pinterest Geometric pattern seamless vector background; .; pp. 1-3; .retrieved Mar. 6, 2018.  
 Pinterest Geometric pattern Seamless vector background; PBlack Wavy Pattern Stock Vector 318053171 Shutterstock; .; one (1) page; retrieved Mar. 5, 2018.

\* cited by examiner

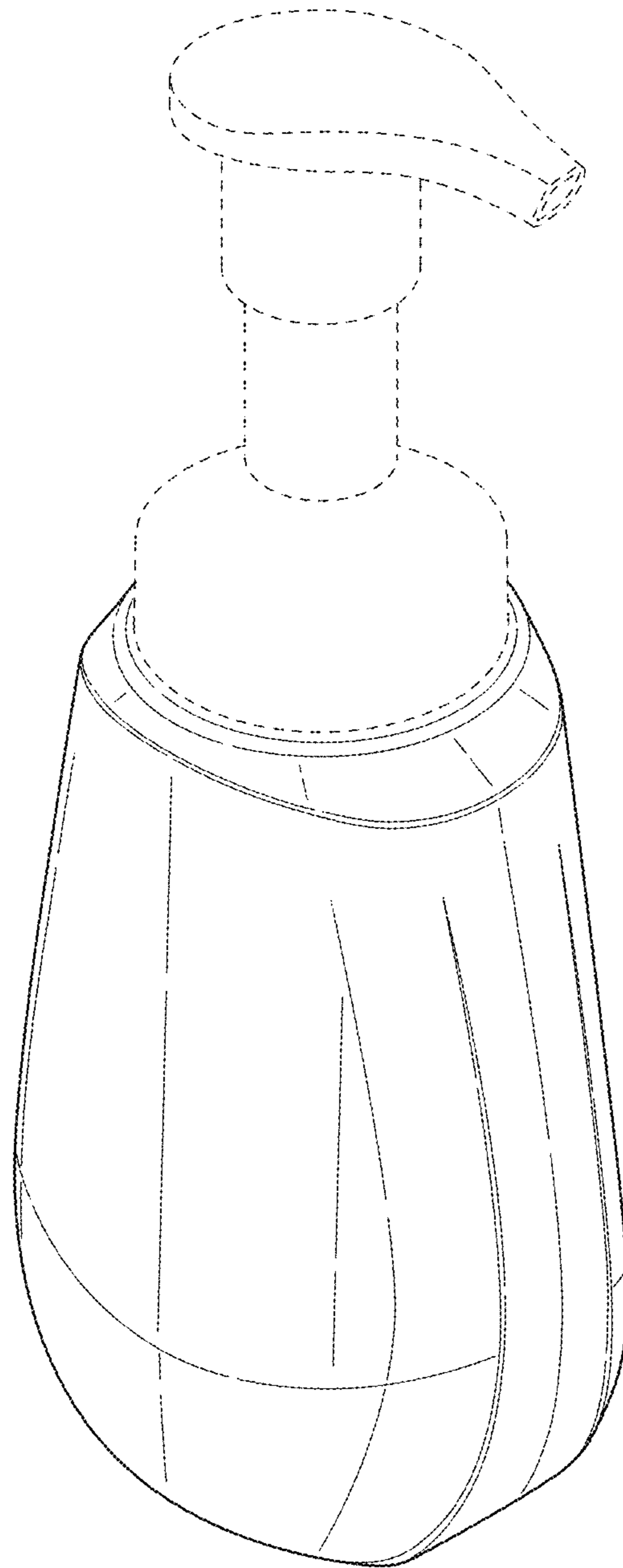


Fig. 1

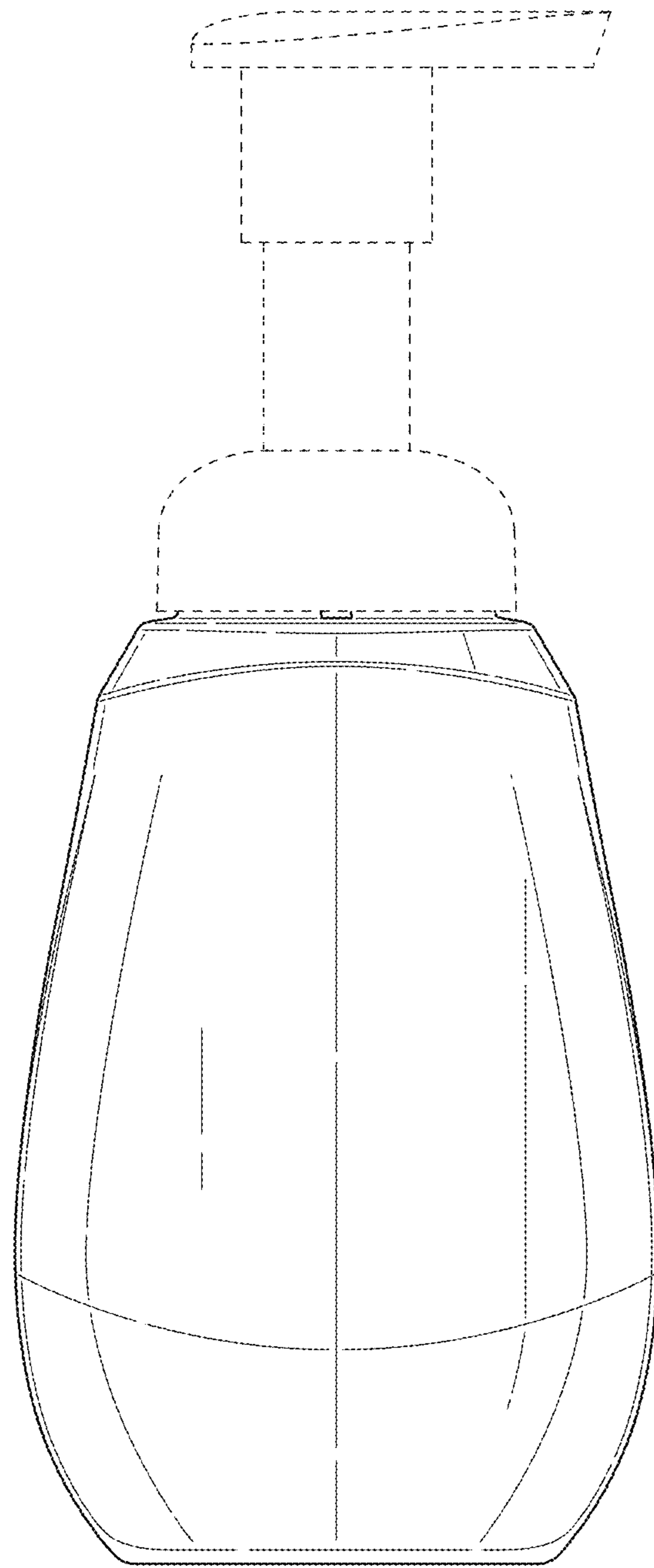


Fig. 2

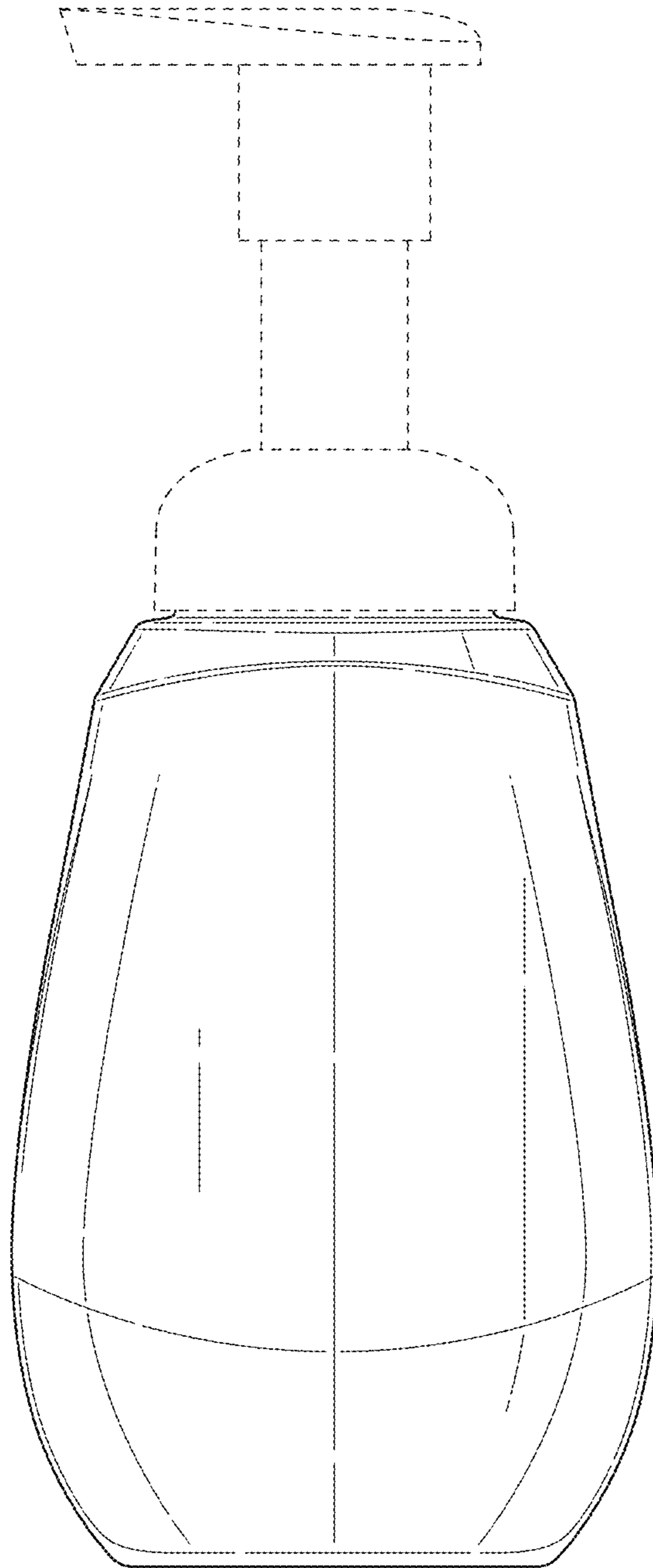


Fig. 3

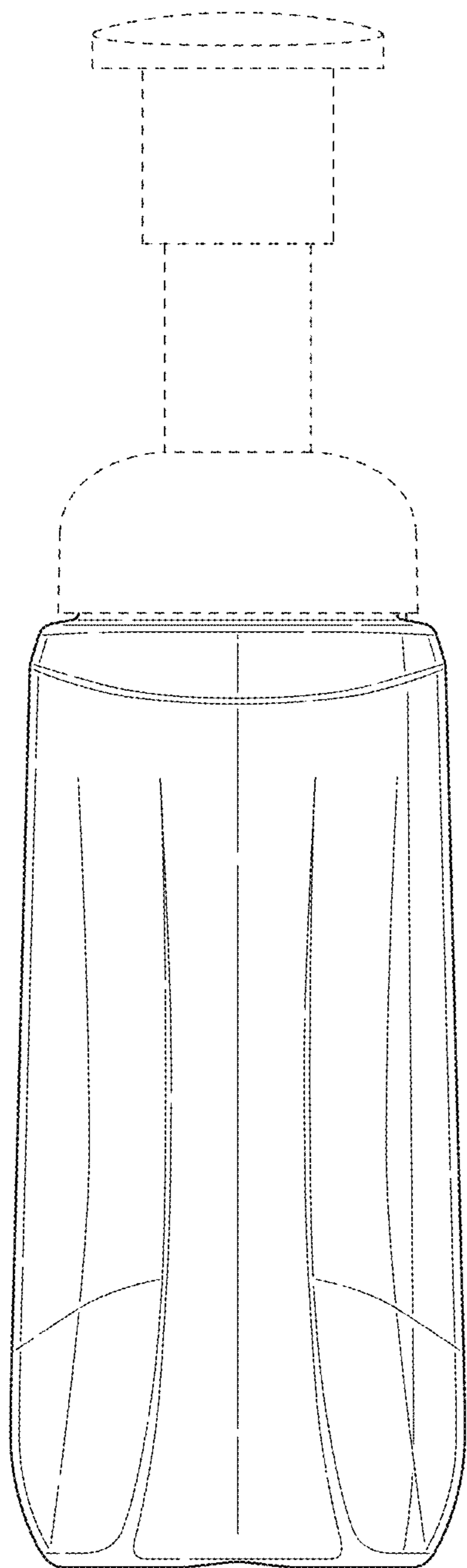


Fig. 4

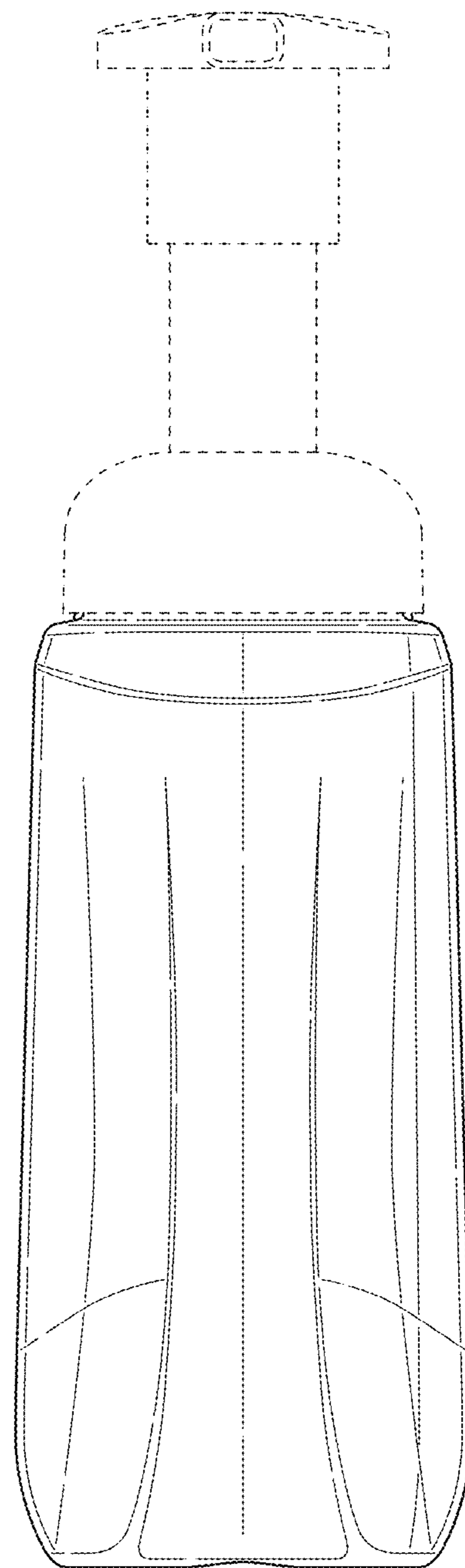


Fig. 5

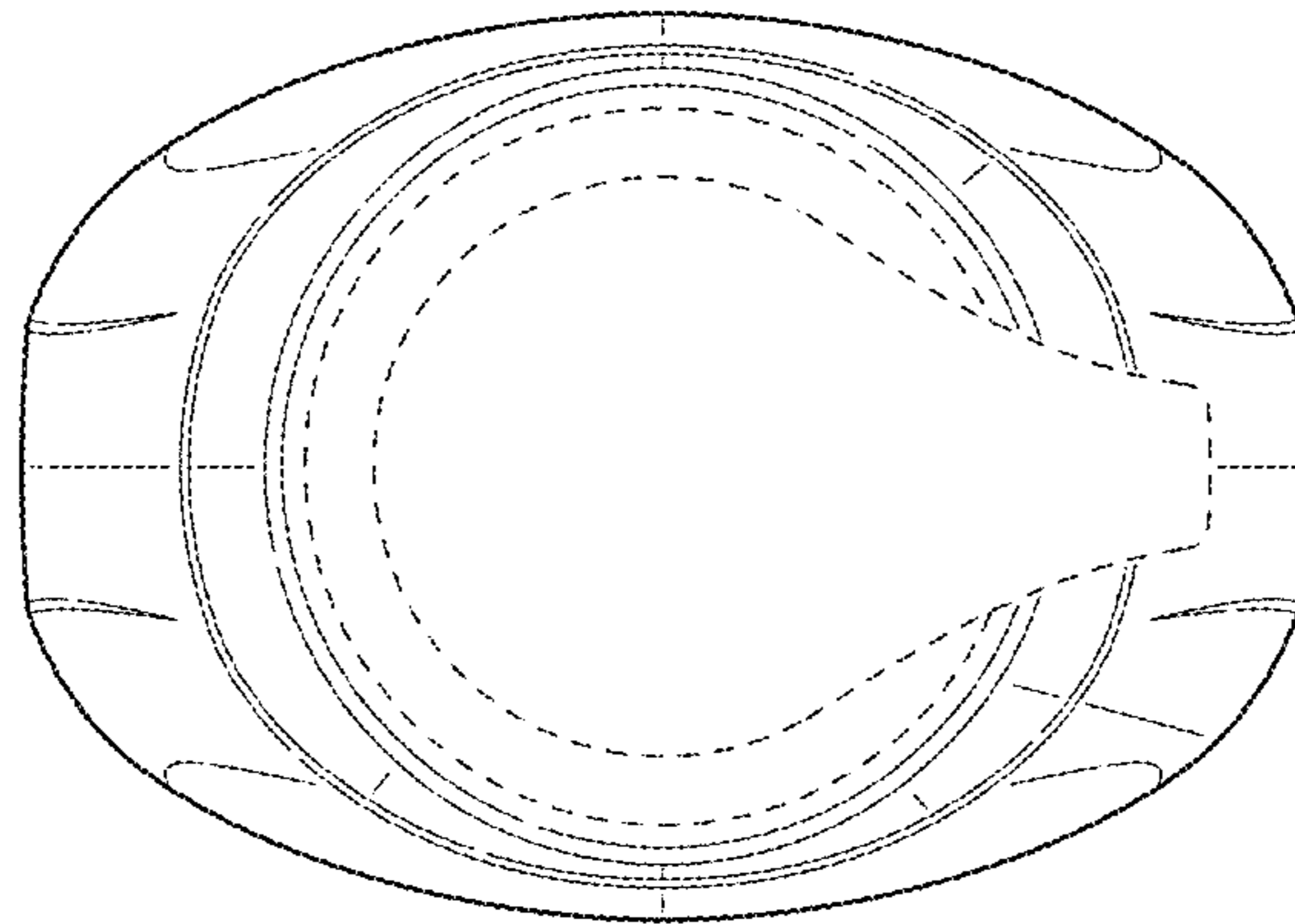


Fig. 6

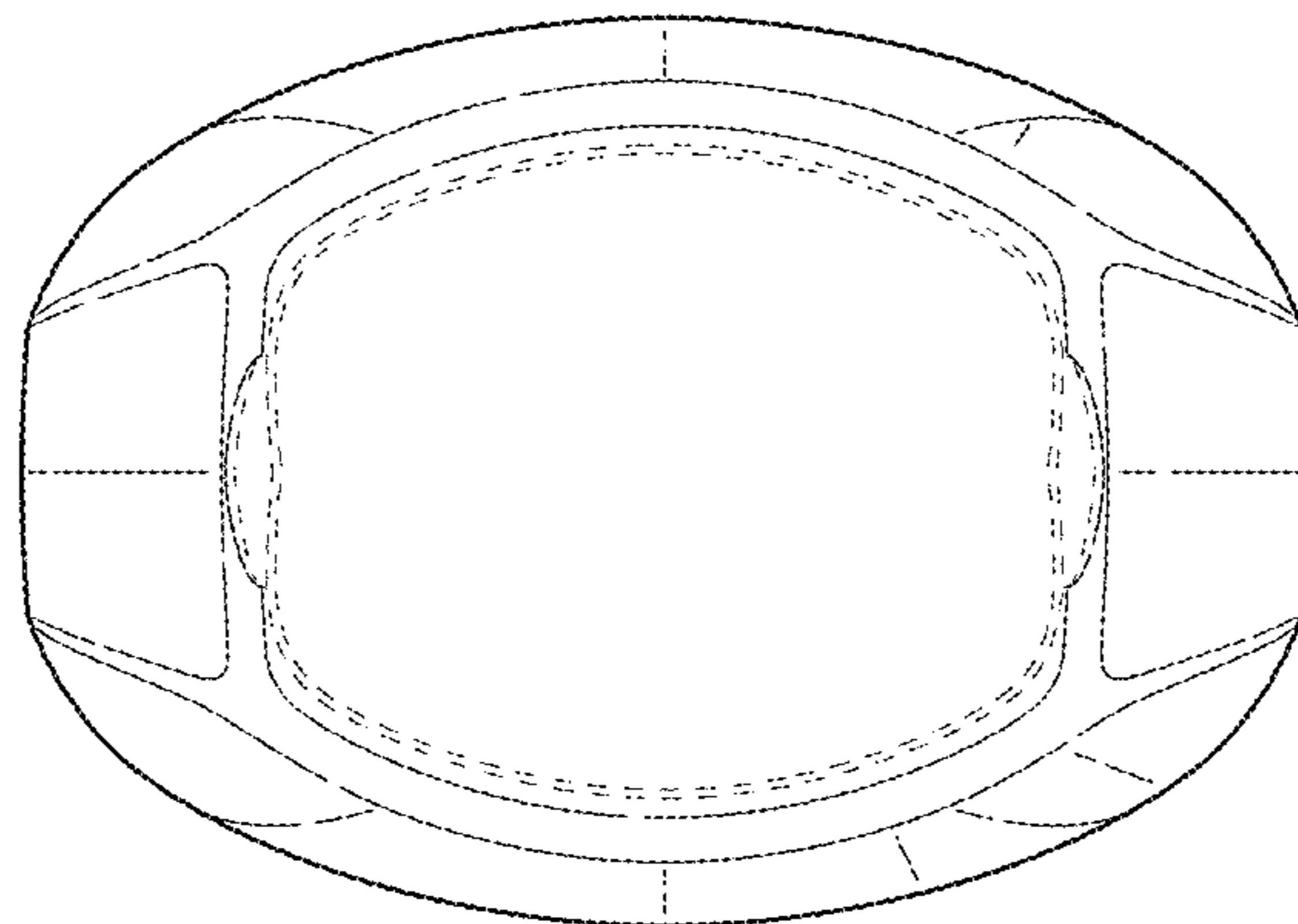


Fig. 7