



US00D875535S

(12) **United States Design Patent** (10) **Patent No.:** **US D875,535 S**  
**Schlies et al.** (45) **Date of Patent:** **\*\* Feb. 18, 2020**

(54) **CONTAINER BODY**  
(71) Applicant: **Graham Packaging Company, L.P.**,  
Lancaster, PA (US)  
(72) Inventors: **Anthony J. Schlies**, York, PA (US);  
**Sheldon E. Yourist**, York, PA (US)  
(73) Assignee: **Graham Packaging Company, L.P.**,  
Lancaster, PA (US)  
(\*\*) Term: **15 Years**

D442,866 S \* 5/2001 Mooney ..... D9/520  
D447,693 S 9/2001 Warner et al.  
D448,674 S \* 10/2001 Mooney ..... D9/540  
D450,595 S \* 11/2001 Ogg ..... D9/537  
D454,792 S \* 3/2002 Keller ..... D9/538  
D456,218 S 4/2002 Hatsumoto  
D486,996 S 2/2004 Karp  
D489,991 S \* 5/2004 Deubel ..... D9/538  
D501,638 S 2/2005 Hutter et al.  
D502,844 S 3/2005 Rohe  
D522,371 S \* 6/2006 Livingston ..... D9/538  
D561,590 S 2/2008 Kingsley  
D582,212 S 12/2008 Trombly  
D601,028 S \* 9/2009 Brown ..... D9/531

(Continued)

(21) Appl. No.: **29/628,613**

(22) Filed: **Dec. 6, 2017**

(51) **LOC (12) Cl.** ..... **09-01**

(52) **U.S. Cl.**  
USPC ..... **D9/540; D9/557; D9/562**

(58) **Field of Classification Search**  
USPC ..... D9/434, 500, 516, 530, 537-541, 549,  
D9/557-558, 562, 575, 715, 719  
CPC ..... B65D 1/00; B65D 1/02; B65D 1/0223;  
B65D 1/44; B65D 23/00; B65D 23/102;  
B65D 2501/00; B65D 2501/0009; B65D  
2501/0018; B65D 2501/0036; B65D  
2501/0081

See application file for complete search history.

(56) **References Cited**

**U.S. PATENT DOCUMENTS**

D214,994 S 8/1969 Goldman  
D269,315 S 6/1983 Conti  
D282,632 S \* 2/1986 Beaver ..... D9/500  
D368,220 S 3/1996 Bicknell et al.  
D368,427 S 4/1996 Bicknell et al.  
D393,210 S \* 4/1998 Ewing, Jr. .... D9/520  
D408,221 S 4/1999 Asberg  
D419,872 S \* 2/2000 Lane ..... D9/434  
D423,936 S \* 5/2000 Smith ..... D9/520  
D436,296 S 1/2001 Freed

**OTHER PUBLICATIONS**

U.S. Appl. No. 29/628,615, filed Dec. 6, 2017.

(Continued)

*Primary Examiner* — Dana Meyrow

(74) *Attorney, Agent, or Firm* — Baker Botts LLP

(57) **CLAIM**

The ornamental design for a container body, as shown and described.

**DESCRIPTION**

FIG. 1 is a bottom right and rear perspective view of a container body with an orientation lug and circular rings in the base push up shown in broken lines.

FIG. 2 is a rear view of the container body of FIG. 1.

FIG. 3 is a front view of the container body of FIG. 1.

FIG. 4 is a right view of the container body of FIG. 1.

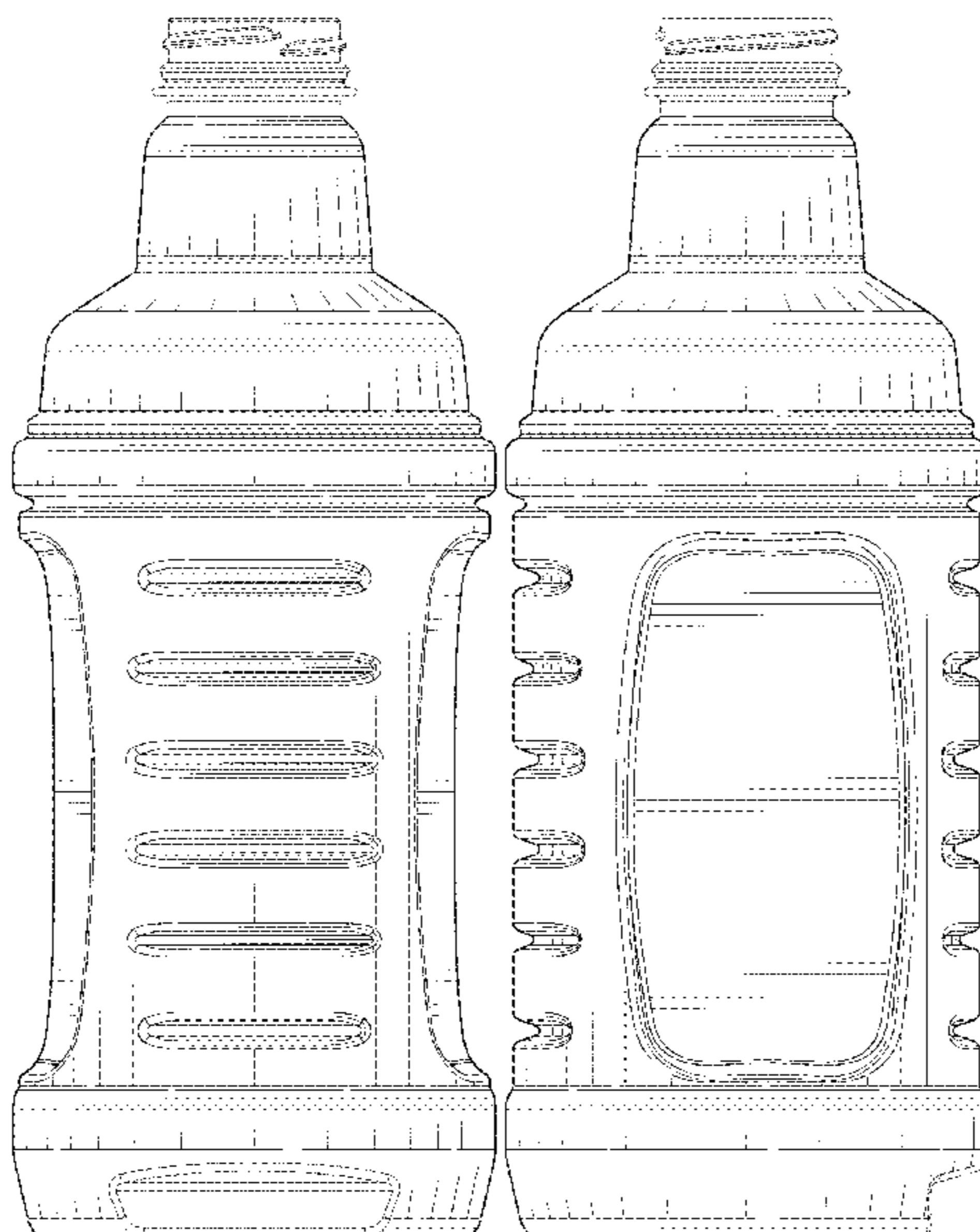
FIG. 5 is a left view of the container body of FIG. 1.

FIG. 6 is a top view of the container body of FIG. 1; and,

FIG. 7 is a bottom view of the container body of FIG. 1.

The broken lines are shown to indicate unclaimed portions of the container body and form no part of the claimed design.

**1 Claim, 6 Drawing Sheets**



(56)

**References Cited**

U.S. PATENT DOCUMENTS

D620,316 S 7/2010 McKinney  
 7,810,651 B2 10/2010 Miga, Jr.  
 D632,964 S \* 2/2011 Shah ..... D9/538  
 D638,709 S 5/2011 Yourist  
 D642,470 S 8/2011 Yourist  
 D646,919 S 10/2011 Nilsson  
 D672,618 S 12/2012 Stamper et al.  
 D673,010 S 12/2012 Stamper et al.  
 D674,279 S 1/2013 Lembke et al.  
 D697,798 S 1/2014 Sorensen et al.  
 D702,086 S 4/2014 Thurlow  
 D717,608 S 11/2014 Lin  
 D722,504 S \* 2/2015 Fleischhacker ..... D9/538  
 D723,332 S 3/2015 Steel  
 D727,097 S 4/2015 Sorensen et al.  
 D729,582 S 5/2015 Lapsker  
 D732,339 S 6/2015 Sorensen et al.  
 D732,968 S \* 6/2015 Heisner ..... D9/500

D733,497 S 7/2015 Sorensen et al.  
 D782,320 S 3/2017 Juna  
 D789,796 S 6/2017 McSweeney et al.  
 D792,742 S 7/2017 Meyers et al.  
 D793,227 S 8/2017 Maskell  
 D796,957 S \* 9/2017 Joshi ..... D9/500  
 D808,722 S 1/2018 Hill  
 D814,240 S 4/2018 Kabalin  
 D818,368 S \* 5/2018 Hanan ..... D9/550  
 D836,985 S 1/2019 Otto  
 2011/0084046 A1 \* 4/2011 Schlies ..... B65D 1/0246  
 2017/0225850 A1 8/2017 Sorensen et al. 215/381

OTHER PUBLICATIONS

U.S. Appl. No. 29/621,875, filed Oct. 12, 2017.  
 U.S. Appl. No. 29/621,870, filed Oct. 12, 2017.  
 U.S. Appl. No. 29/621,879, filed Oct. 12, 2017.

\* cited by examiner

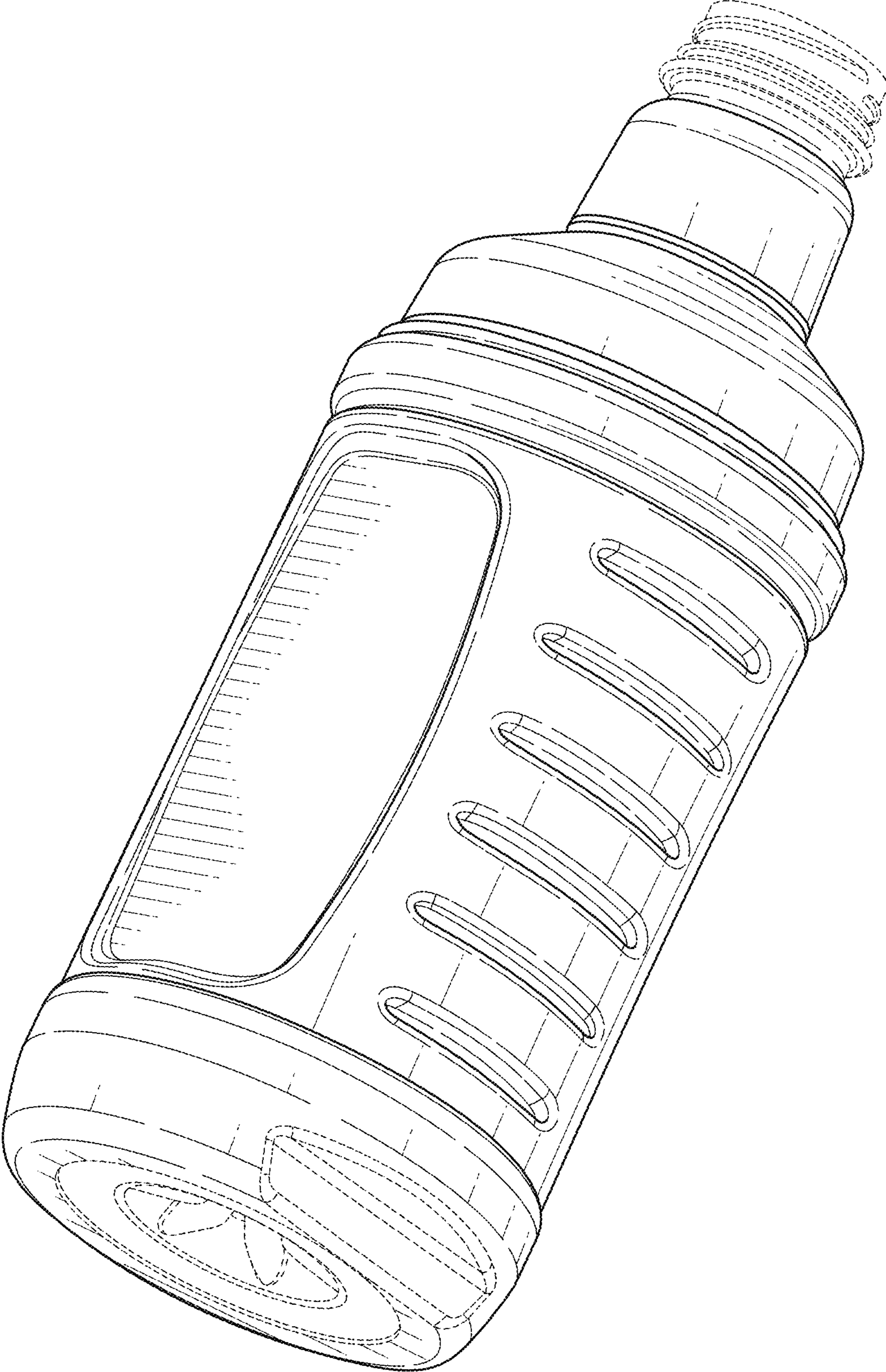


FIG. 1



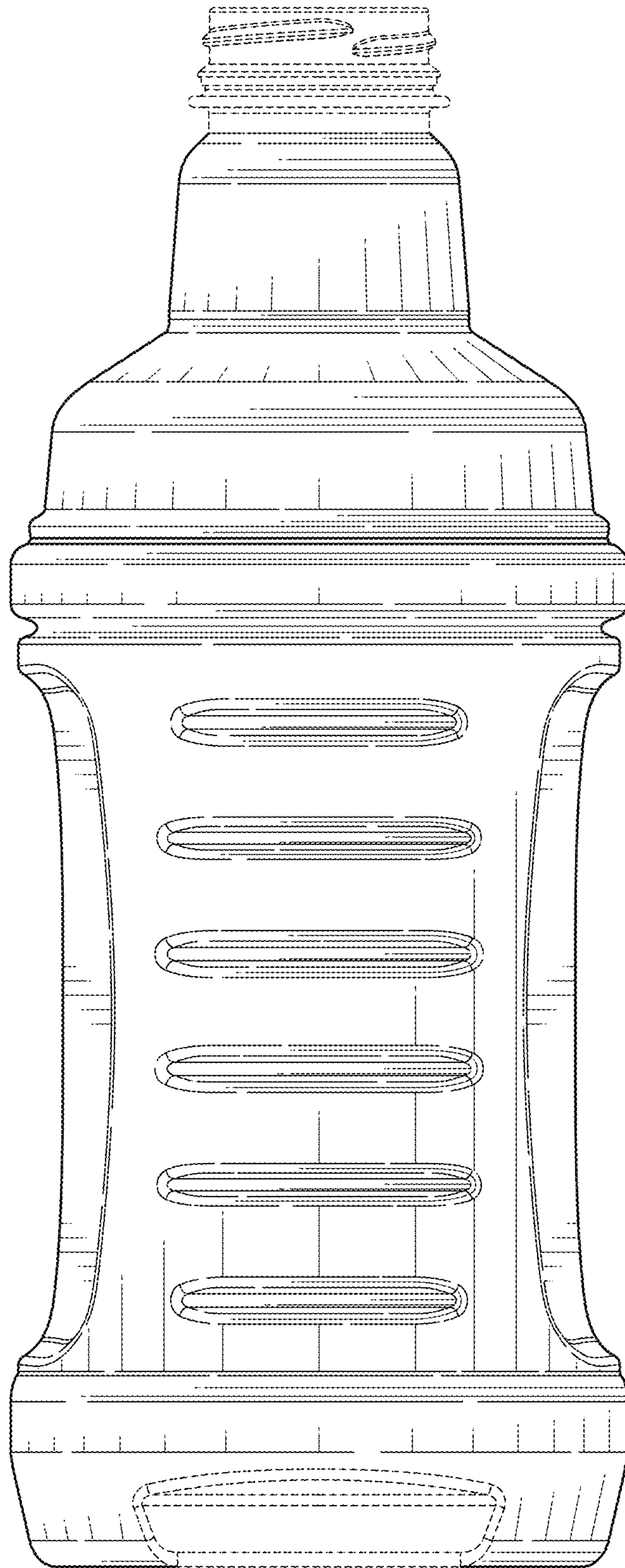


FIG. 2

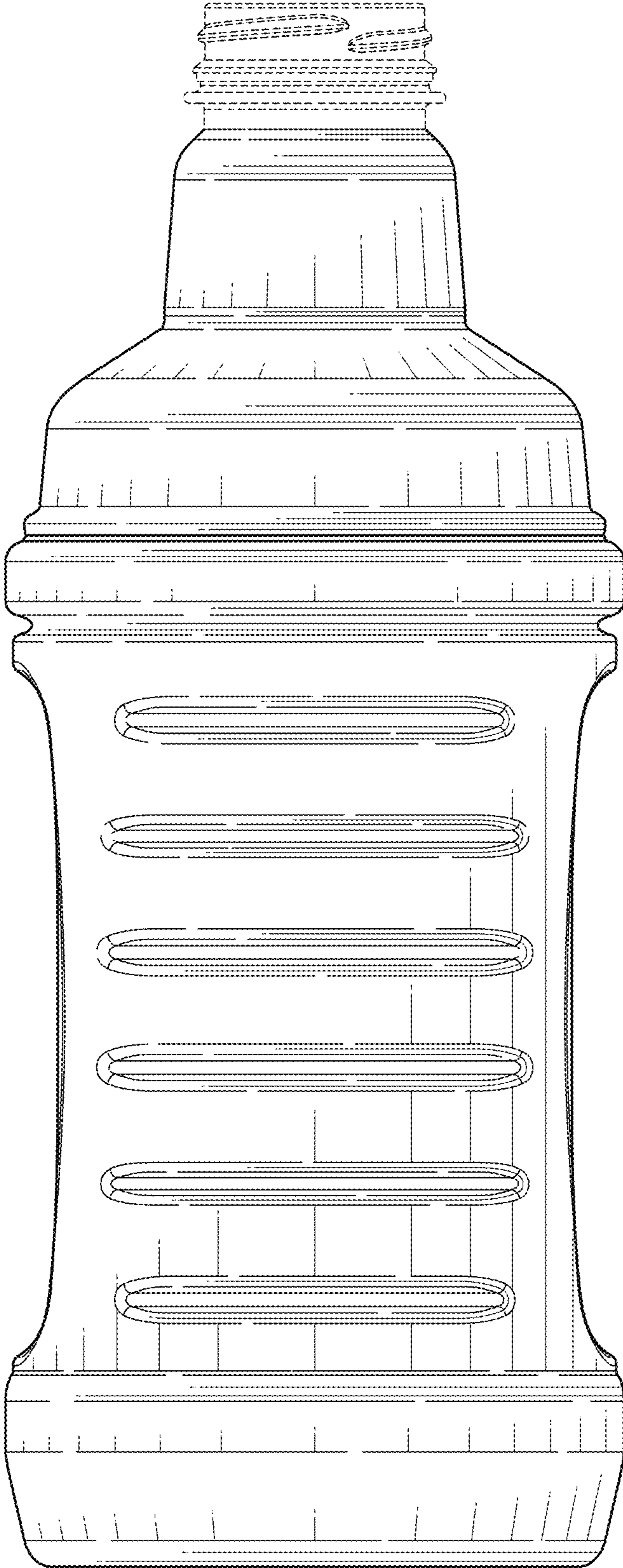


FIG. 3

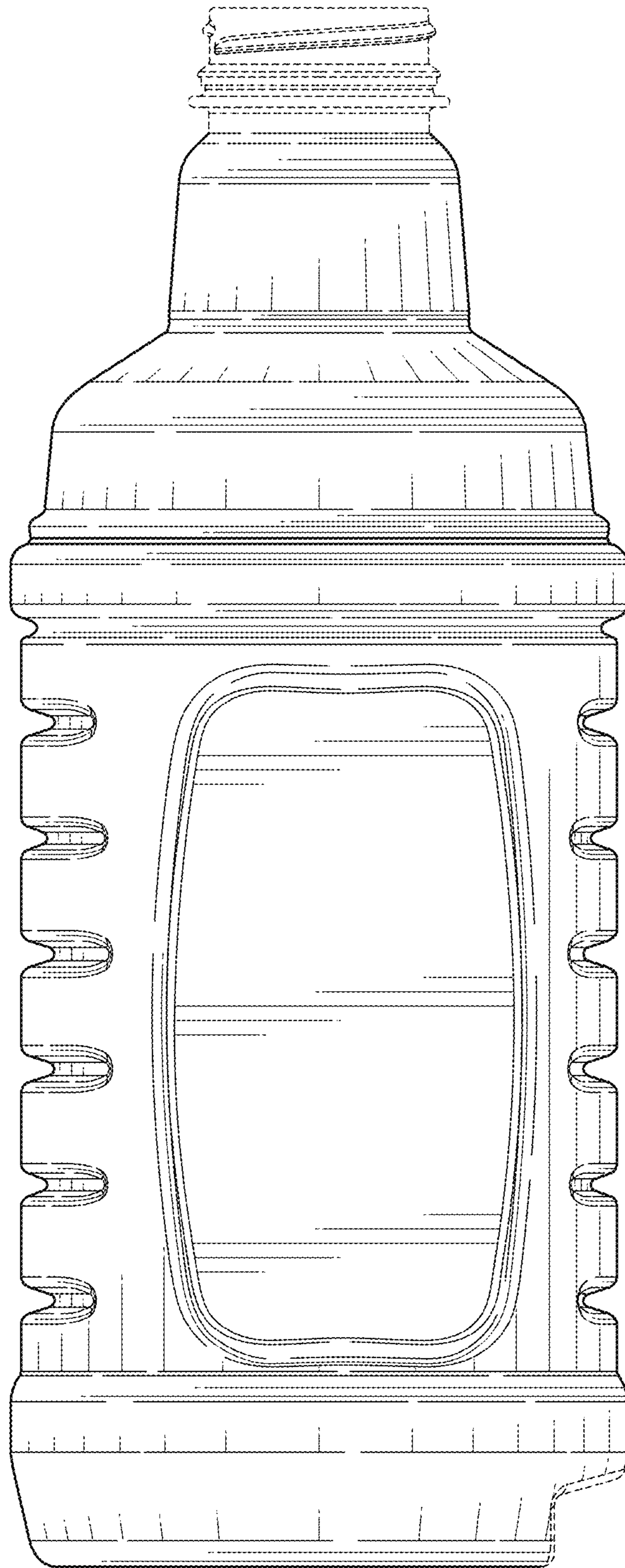


FIG. 4

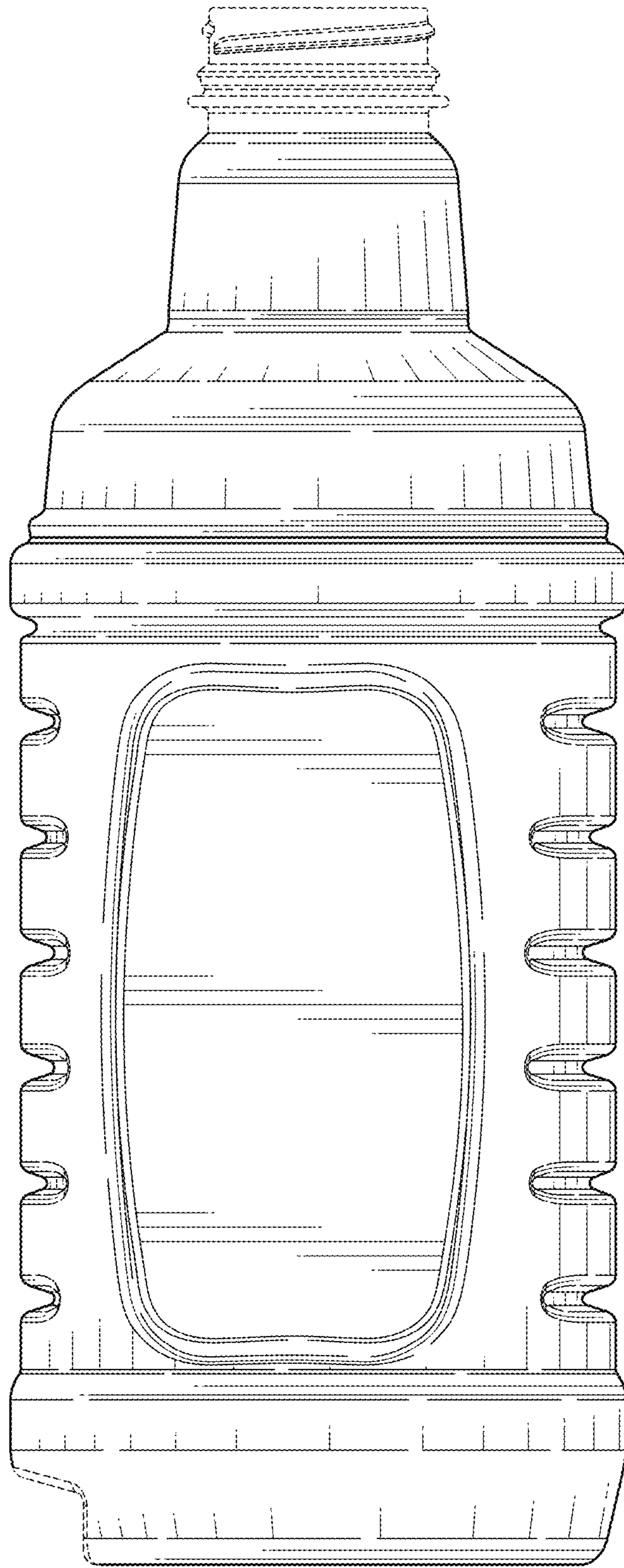


FIG. 5



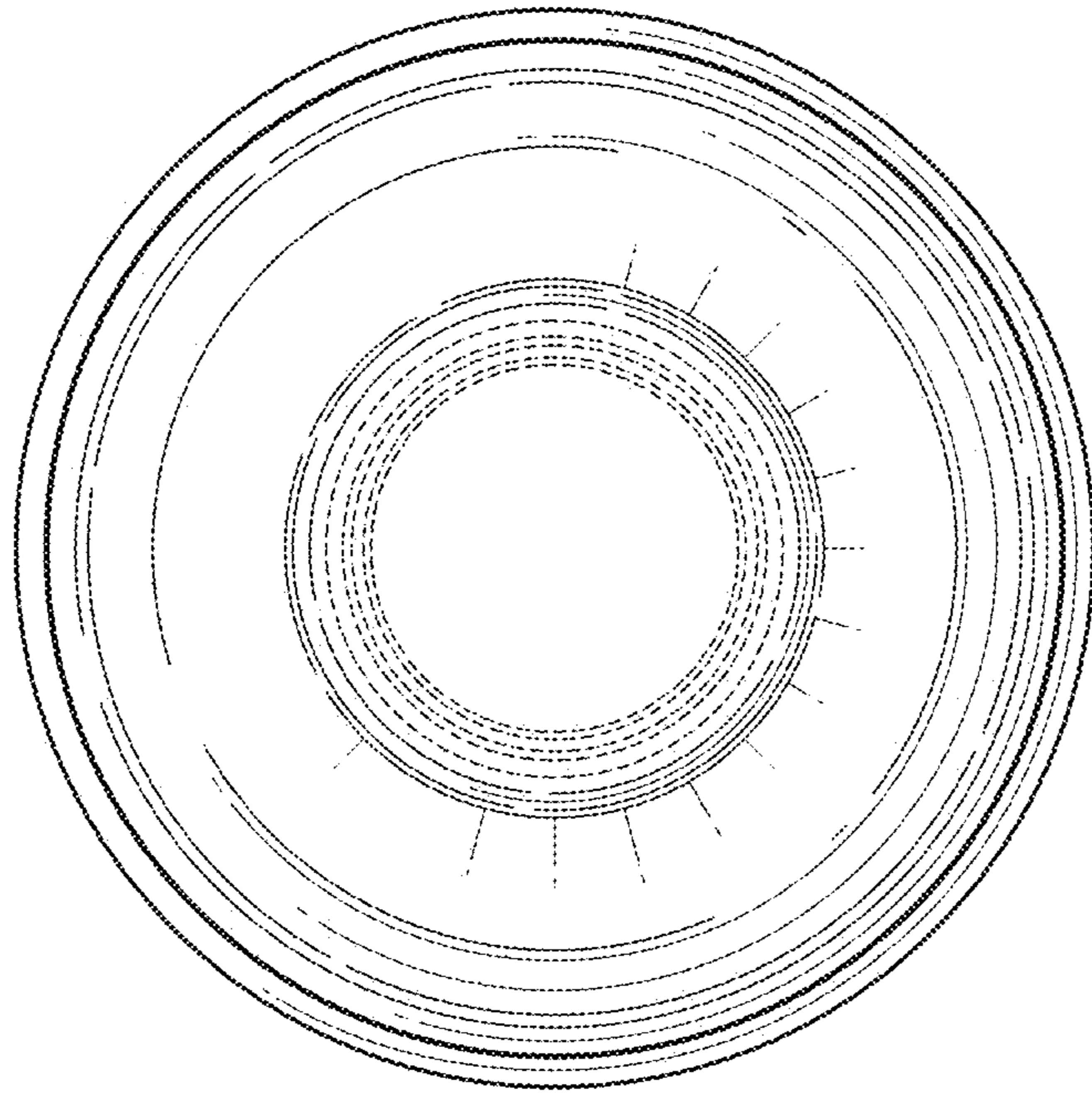


FIG. 6

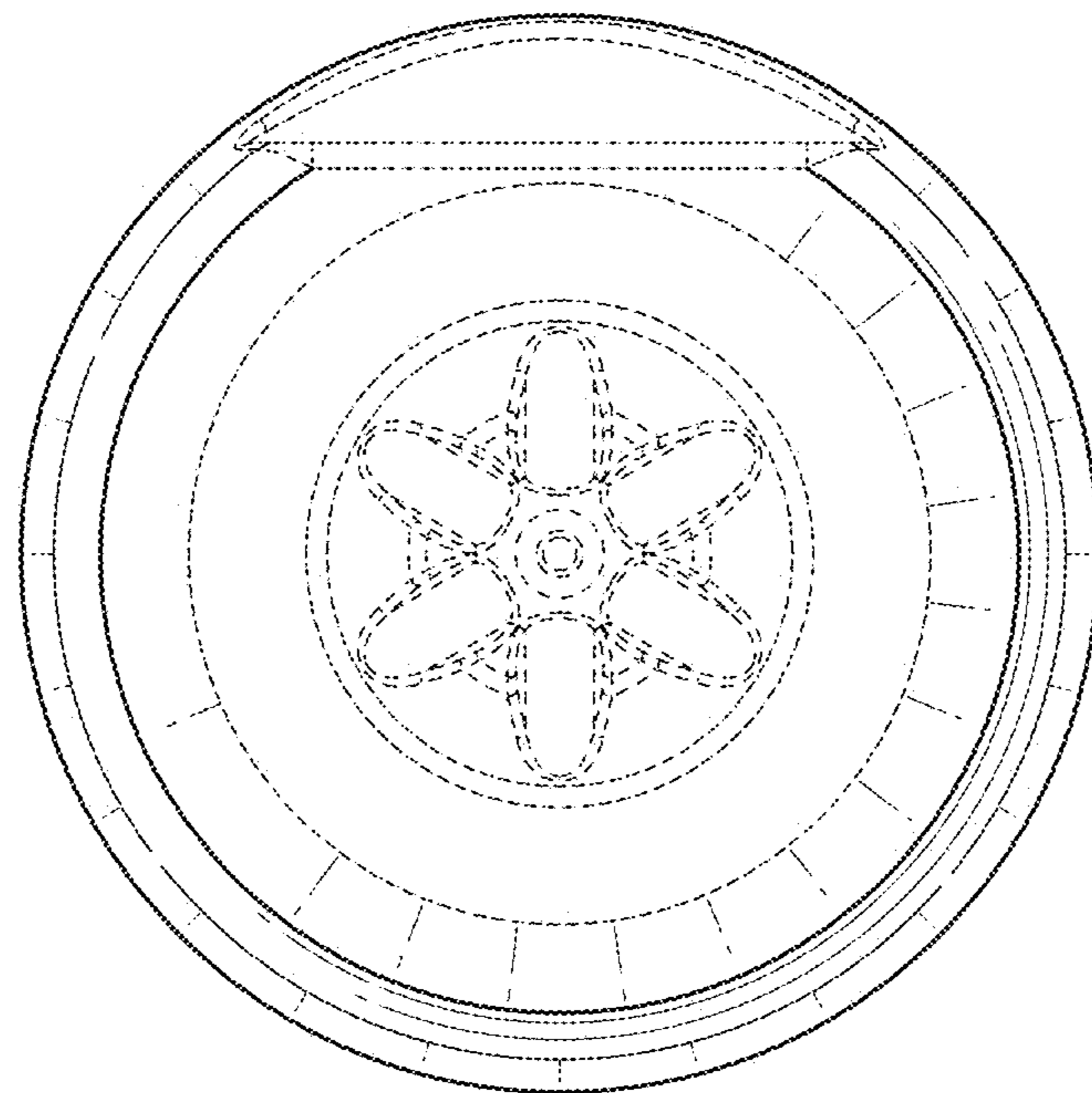


FIG. 7