



US00D875534S

(12) **United States Design Patent**
Holden et al.

(10) **Patent No.:** **US D875,534 S**
(45) **Date of Patent:** **** Feb. 18, 2020**

(54) **CONTAINER**

(71) Applicant: **Diversey, Inc.**, Sturtevant, WI (US)

(72) Inventors: **David J. Holden**, Derbyshire (GB);
Jonathan D. Bradshaw, Nottingham (GB);
Barry Hague, South Yorkshire (GB);
Michael Bertucci, Gurnee, IL (US);
Lambertus Gerardus P. Van Der Heijden, WB Bunnik (NL)

(73) Assignee: **Diversey, Inc.**, Fort Mill, SC (US)

(**) Term: **15 Years**

(21) Appl. No.: **29/629,873**

(22) Filed: **Dec. 15, 2017**

Related U.S. Application Data

(63) Continuation of application No. 29/546,187, filed on Nov. 19, 2015, now abandoned, which is a continuation of application No. 29/472,842, filed on Nov. 15, 2013, now Pat. No. Des. 746,137.

(51) **LOC (12) Cl.** **09-01**

(52) **U.S. Cl.**
USPC **D9/530**; D9/434

(58) **Field of Classification Search**
USPC D7/300, 317, 392.1, 396.2; D9/434-436,
D9/447, 499, 516, 530, 563
CPC . B65D 86/00; B65D 1/12; B65D 1/18; B65D
1/20; B65D 21/0237
See application file for complete search history.

(56) **References Cited**

U.S. PATENT DOCUMENTS

D25,316 S 3/1896 Dobson
2,787,405 A 4/1957 Shvetz
2,904,227 A 9/1959 Graham

3,148,801 A 9/1964 Radeloff et al.
3,163,335 A 12/1964 Chappell
3,237,816 A 3/1966 Anderson
(Continued)

FOREIGN PATENT DOCUMENTS

GB 2145061 3/1985
GB 2394947 12/2004
(Continued)

OTHER PUBLICATIONS

Office Max. Diversey Clax Revoflow 200 Laundry Detergent Concentrated 4 Litre. No date specified. <https://www.officemax.com.au/ProductDisplay.aspx?Product=2922630> (Year: 0).*
(Continued)

Primary Examiner — Darcey E Gottschalk
(74) *Attorney, Agent, or Firm* — Michael Best & Friedrich LLP

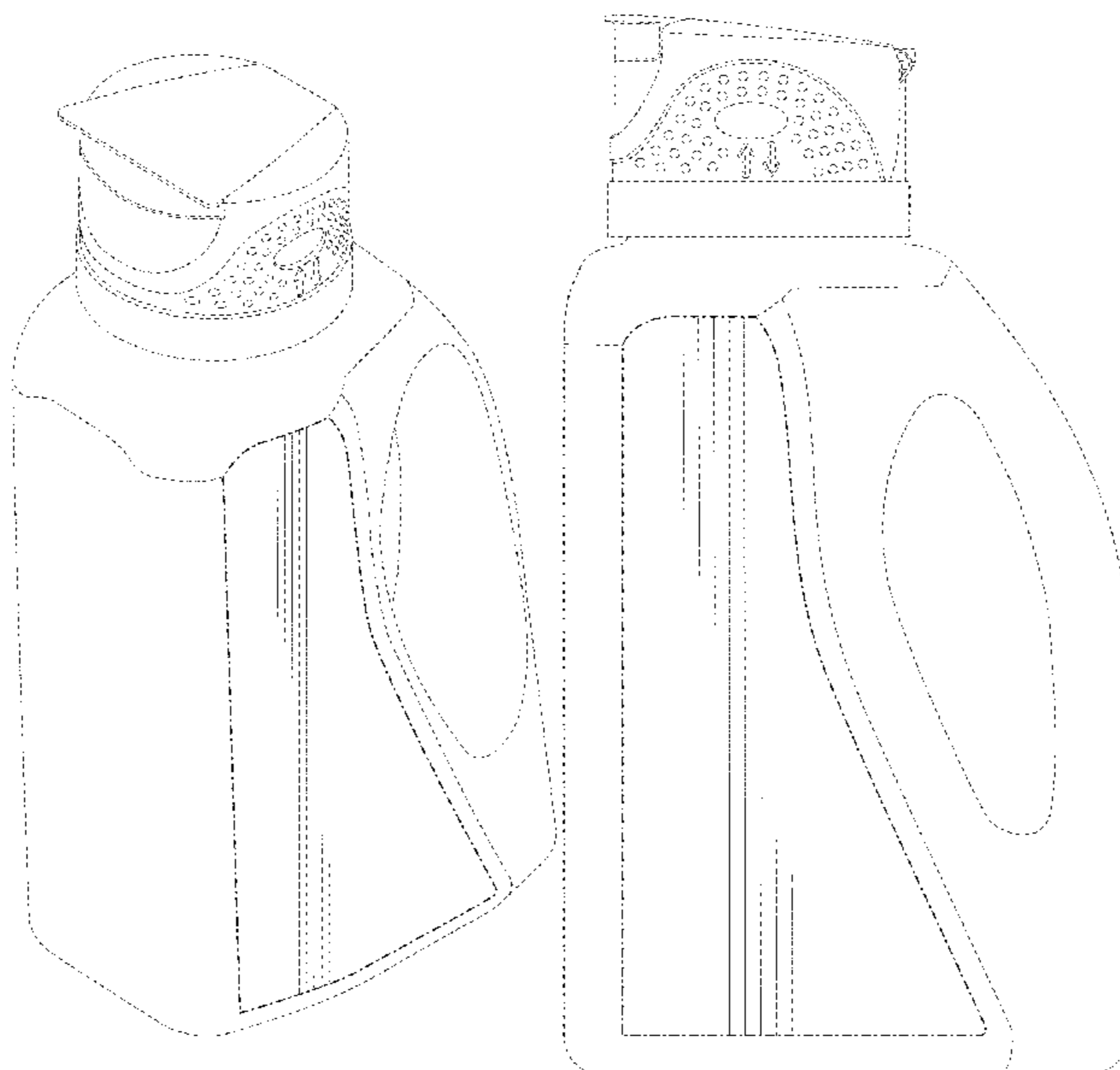
(57) **CLAIM**

We claim the ornamental design for a container, as shown and described.

DESCRIPTION

FIG. 1 is a perspective view of a container illustrating a lid in a closed position.
FIG. 2 is a front view of the container of FIG. 1.
FIG. 3 is a rear view of the container of FIG. 1.
FIG. 4 is right side view of the container of FIG. 1.
FIG. 5 is a top view of the container of FIG. 1; and, FIG. 6 is a bottom view of the container of FIG. 1.
The evenly spaced broken lines depict environmental subject matter and form no part of the claim. The dash-dot-dot-dash boundary lines represent the boundaries of the claimed design and form no part of the claimed design. The design sought to be patented in FIGS. 1-6 is not visible in the left side view. Accordingly, this view has been omitted.

1 Claim, 6 Drawing Sheets



(56)

References Cited

U.S. PATENT DOCUMENTS

3,402,860 A 9/1968 Torongo, Jr.
 3,419,187 A 12/1968 Barzanic
 3,844,454 A 10/1974 Buchtel
 4,079,859 A 3/1978 Jennings
 4,141,472 A 2/1979 Spitzer et al.
 D256,555 S * 8/1980 Beeman D9/563
 4,314,657 A 2/1982 Perakis et al.
 4,449,651 A 5/1984 Roder et al.
 D275,925 S 10/1984 Bowen et al.
 4,576,593 A 3/1986 Mommer
 4,579,256 A 4/1986 Heimlich
 4,735,334 A 4/1988 Abbott
 4,807,785 A 2/1989 Pritchett
 4,811,871 A 3/1989 Wass et al.
 4,830,226 A 5/1989 Kong
 D302,247 S 7/1989 Beechuk et al.
 D302,524 S 8/1989 Best et al.
 D302,946 S 8/1989 Cramer
 4,886,193 A 12/1989 Wassilieff
 4,946,080 A 8/1990 Vesborg
 4,971,226 A 11/1990 Donoghue
 5,078,305 A 1/1992 Glynn et al.
 5,148,953 A 9/1992 Fudalla
 5,186,366 A 2/1993 Meisner et al.
 5,251,792 A 10/1993 Sheen
 5,253,788 A 10/1993 Vandromme et al.
 5,323,938 A 6/1994 Ceccarelli et al.
 5,381,930 A 1/1995 Kalabakas
 D355,121 S 2/1995 Kohl
 5,411,186 A 5/1995 Robbins, III
 D372,286 S 7/1996 Fortini
 5,584,420 A 12/1996 Awada et al.
 5,833,124 A 11/1998 Groves et al.
 D401,851 S 12/1998 Teags
 5,881,716 A 3/1999 Wirch et al.
 D409,494 S 5/1999 Frazer
 5,988,434 A 11/1999 Keil et al.
 6,068,165 A 5/2000 Minihane et al.
 6,216,919 B1 4/2001 Ae' et al.
 D445,692 S * 7/2001 Meeker D9/530
 6,276,572 B1 8/2001 Evans
 D448,671 S 10/2001 Gans et al.
 6,357,627 B1 3/2002 Pasbrig et al.
 6,357,630 B1 3/2002 Sperna Weiland
 6,367,670 B1 4/2002 Warner et al.
 6,510,971 B1 1/2003 Martin
 D483,270 S * 12/2003 Bertucci D9/523
 6,675,845 B2 1/2004 Volpenheim et al.
 D496,278 S * 9/2004 Bertucci D9/523
 6,796,343 B2 9/2004 Kelsey et al.
 D497,108 S * 10/2004 Lund D9/542
 D509,431 S 9/2005 Hierzer et al.
 D509,994 S 9/2005 Hadland
 D513,452 S 1/2006 Parve
 D515,917 S 2/2006 Hierzer et al.
 D515,918 S 2/2006 Hierzer et al.
 D516,627 S * 3/2006 Collins D20/22
 D518,712 S 4/2006 Hierzer et al.
 D523,334 S 6/2006 Cetti et al.
 D529,809 S 10/2006 Yourist et al.
 D543,018 S 5/2007 Bates et al.
 D559,107 S * 1/2008 Bates D9/516
 D561,033 S * 2/2008 Pritchett, Jr. D9/530
 D563,225 S * 3/2008 Mongeon D9/516
 D573,885 S 7/2008 Considine et al.
 D578,158 S 10/2008 Hammad et al.
 D582,271 S 12/2008 Vogel
 7,472,810 B2 1/2009 Amir
 D585,752 S * 2/2009 Shami D9/530
 7,516,738 B2 4/2009 Scarrott et al.
 D600,126 S * 9/2009 Lepoitevin D9/520
 D604,159 S 11/2009 Pagne
 7,621,273 B2 11/2009 Morton et al.
 D617,610 S 6/2010 Thomas
 D619,676 S * 7/2010 Bertucci D23/208

7,757,688 B2 7/2010 Scarrott et al.
 D628,887 S 12/2010 Groubert et al.
 D628,888 S 12/2010 Groubert et al.
 D628,889 S 12/2010 Groubert et al.
 D628,890 S 12/2010 Groubert et al.
 D628,891 S 12/2010 Groubert et al.
 D628,892 S 12/2010 Groubert et al.
 D628,893 S 12/2010 Groubert et al.
 D634,198 S 3/2011 Groubert et al.
 D643,738 S * 8/2011 Cummings D9/563
 8,028,865 B2 10/2011 De Jonge
 D649,462 S * 11/2011 Toh D9/516
 D650,675 S * 12/2011 Schwartz D9/434
 D650,676 S * 12/2011 Schwartz D9/434
 D652,304 S 1/2012 Heath et al.
 8,122,849 B2 2/2012 Clarke et al.
 D660,709 S * 5/2012 McMahon D9/516
 D672,646 S * 12/2012 Vanden Boom D9/434
 D675,088 S 1/2013 West
 D688,516 S 8/2013 Montgomery
 D688,526 S 8/2013 Montgomery
 D690,985 S 10/2013 Montgomery
 D692,272 S 10/2013 Montgomery
 D712,250 S * 9/2014 Cassens D9/434
 D716,144 S 10/2014 Martel et al.
 D723,928 S * 3/2015 Holden D9/528
 D739,748 S * 9/2015 Van Wetten D9/449
 D746,137 S 12/2015 Holden et al.
 D746,900 S 1/2016 Dighton
 D772,715 S * 11/2016 Clemence D9/516
 D829,547 S * 10/2018 Leufstedt D9/434
 D833,274 S * 11/2018 Kim D9/434
 D839,742 S * 2/2019 Phillips D9/516
 D842,103 S * 3/2019 Haen D9/434
 D843,214 S * 3/2019 Oberly D9/447
 D845,127 S * 4/2019 Arminak B05B 11/3059
 D9/449

2002/0125203 A1 9/2002 Bried et al.
 2004/0011830 A1 1/2004 Kim
 2004/0050882 A1 3/2004 Robbins et al.
 2005/0029286 A1 2/2005 Bergin et al.
 2006/0091163 A1 5/2006 Peng et al.
 2006/0255074 A1 11/2006 Amir
 2007/0210119 A1 9/2007 Alsberg
 2007/0221683 A1 9/2007 Hohmann et al.
 2008/0073311 A1 3/2008 Jelich et al.
 2008/0078765 A1 4/2008 Steiger et al.
 2009/0302063 A1 12/2009 Maas et al.
 2010/0051574 A1 3/2010 Soehnlén et al.
 2010/0147903 A1 6/2010 Farside
 2011/0163132 A1 7/2011 Moreau
 2012/0024886 A1 2/2012 Aviram
 2012/0097712 A1 4/2012 Esteve et al.
 2012/0097714 A1 4/2012 Hoefte et al.
 2013/0026677 A1 1/2013 Smith

FOREIGN PATENT DOCUMENTS

JP 8026319 1/1996
 JP D1400125 10/2011
 JP 2012012085 1/2012
 NL 1038405 5/2012
 TW 397570 7/2000
 TW D143315 10/2011
 WO 9116238 10/1991
 WO 03025520 3/2003

OTHER PUBLICATIONS

Amazon. New Easy Dosing Cap—Ecoegg Concentrated Fabric Conditioner Fresh Linen, White. Jan. 22, 2015. <https://www.amazon.co.uk/New-Easy-Dosing-Cap-Concentrated/dp/B00SL30DUK> (Year: 2015).*

Diversey Care Sealed Air, “Innovation Awards Shine a Bright Light on Diversey Care,” Sep. 10, 2014 [online], [site visited Mar. 18, 2015]. Available from internet, <URL:<http://blog.diversey.com/news-and-events/innovation-awards-shine-a-bright-light-on-diversey-care/>>.

(56)

References Cited

OTHER PUBLICATIONS

The Medi-Dose Group, <<http://www.medidose.com>> webpage available as early as Nov. 27, 1999.

Co-pending Design U.S. Appl. No. 29/472,843, filed Nov. 15, 2013.
Office Action from the United States Patent and Trademark Office for U.S. Appl. No. 29/472,843 dated Aug. 27, 2014 (16 pages).

* cited by examiner

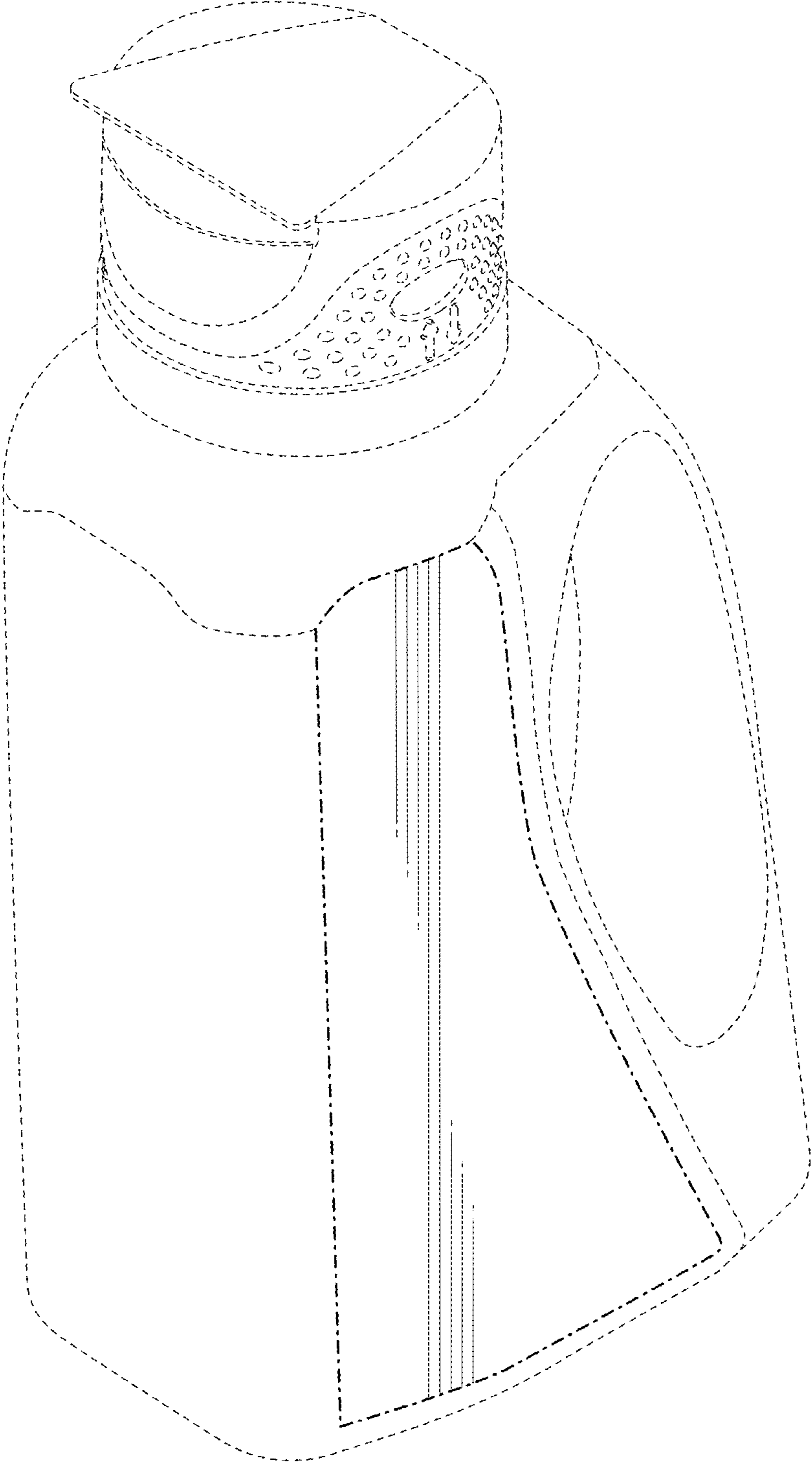


FIG. 1

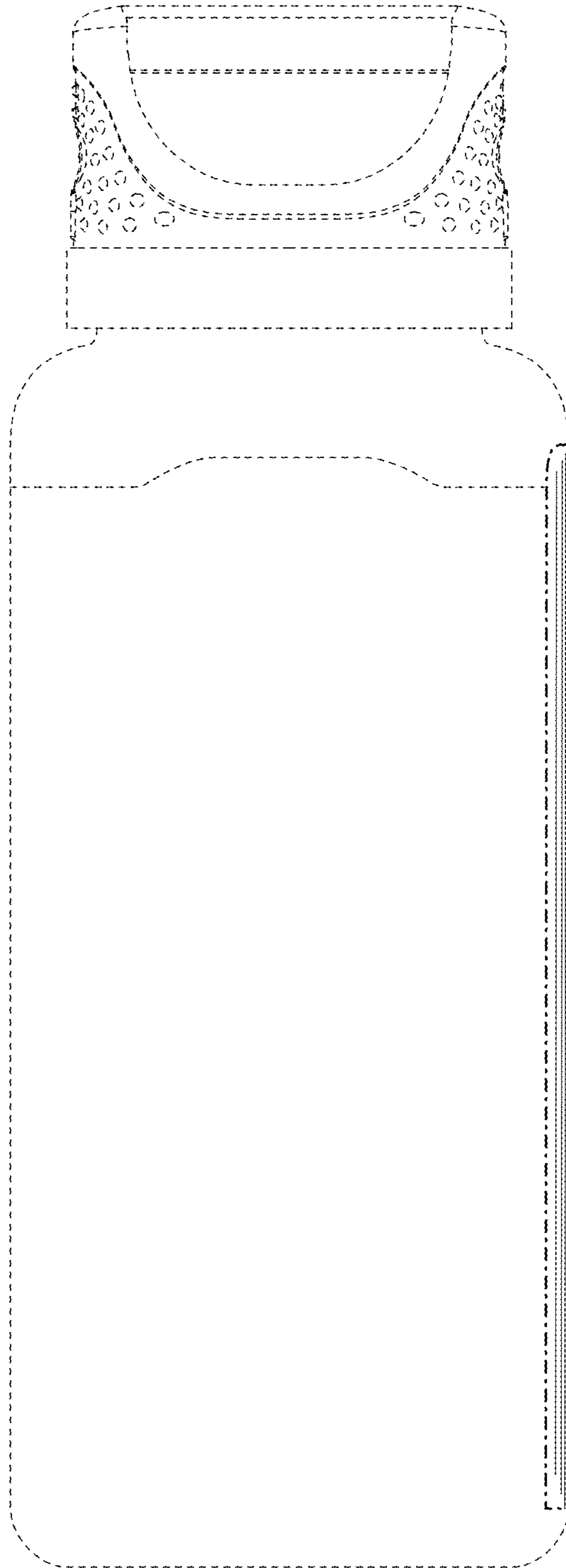


FIG. 2

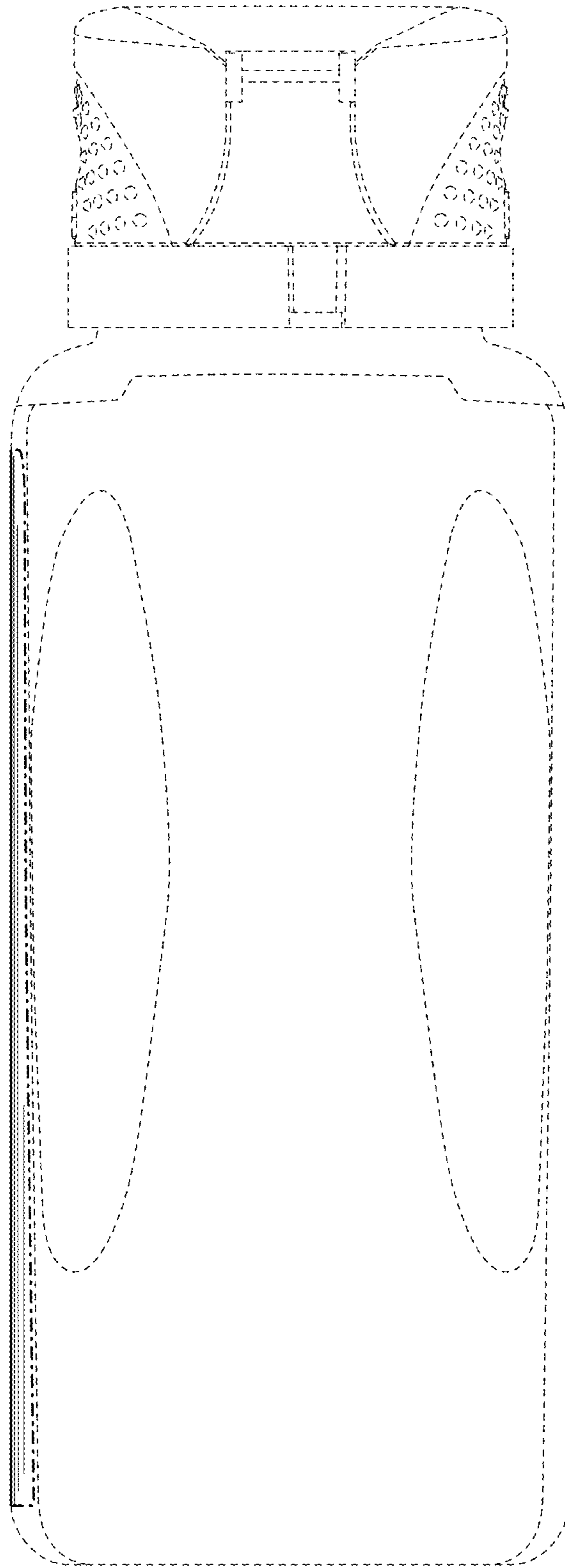


FIG. 3

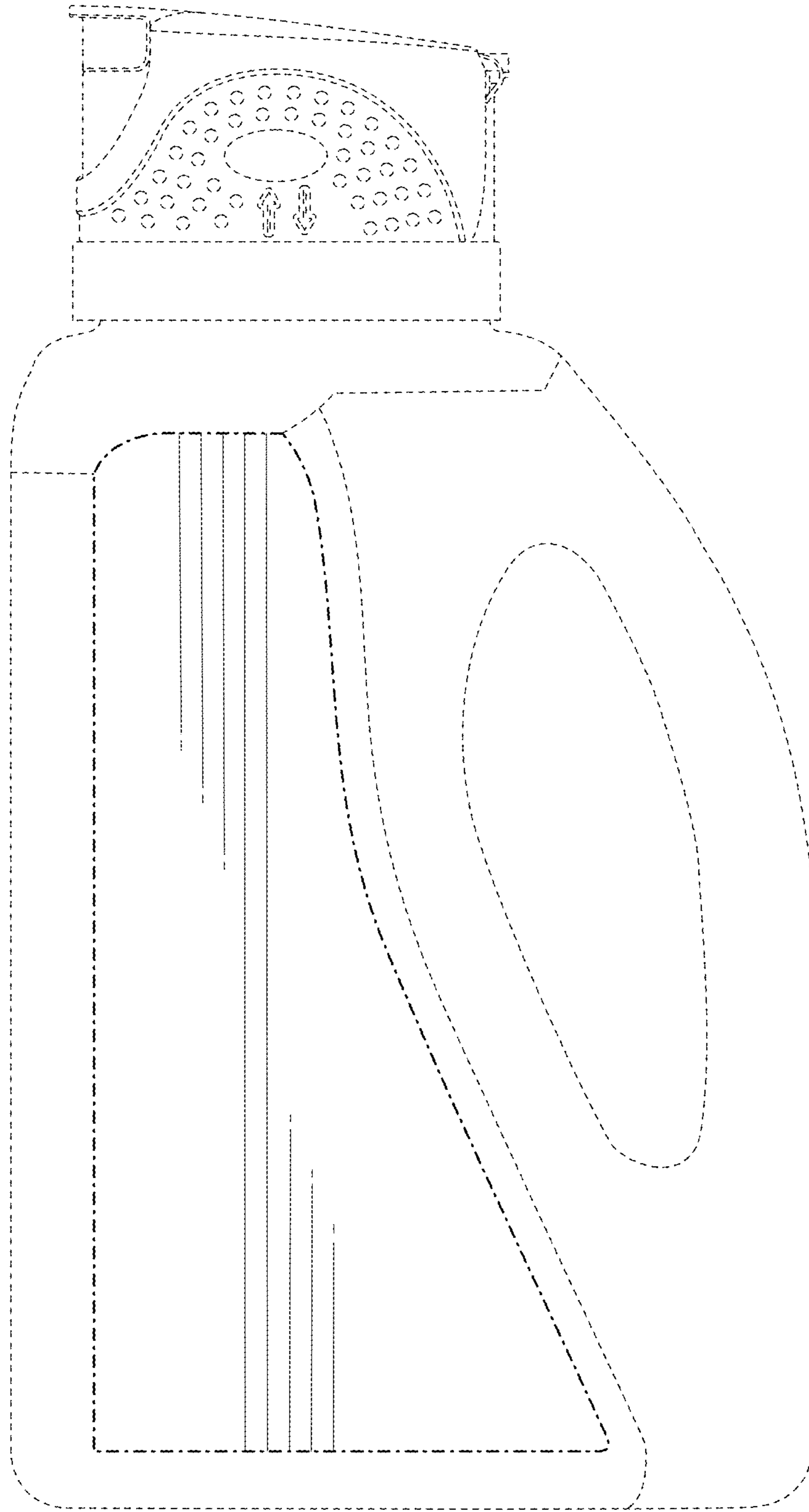


FIG. 4

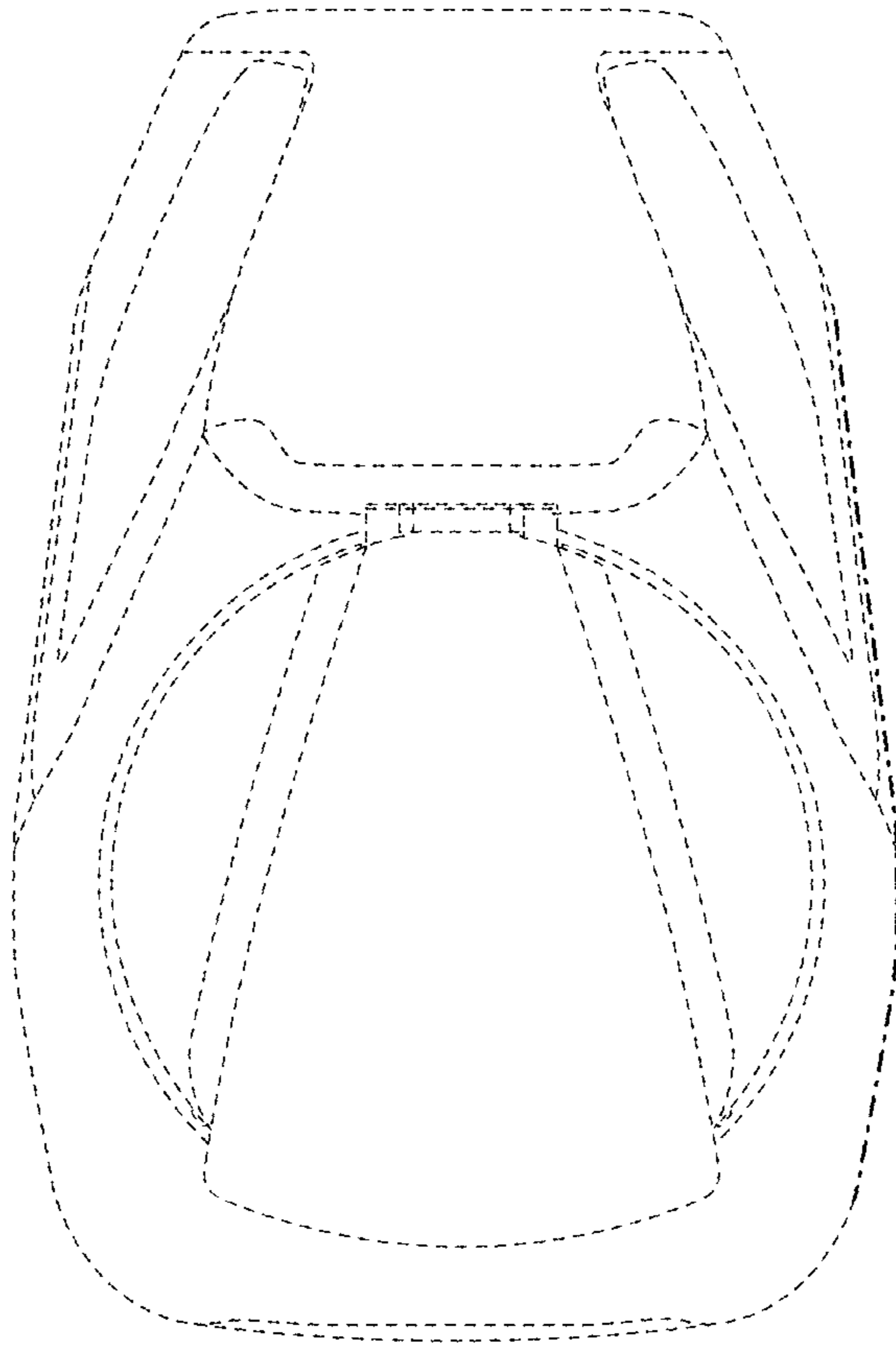


FIG. 5

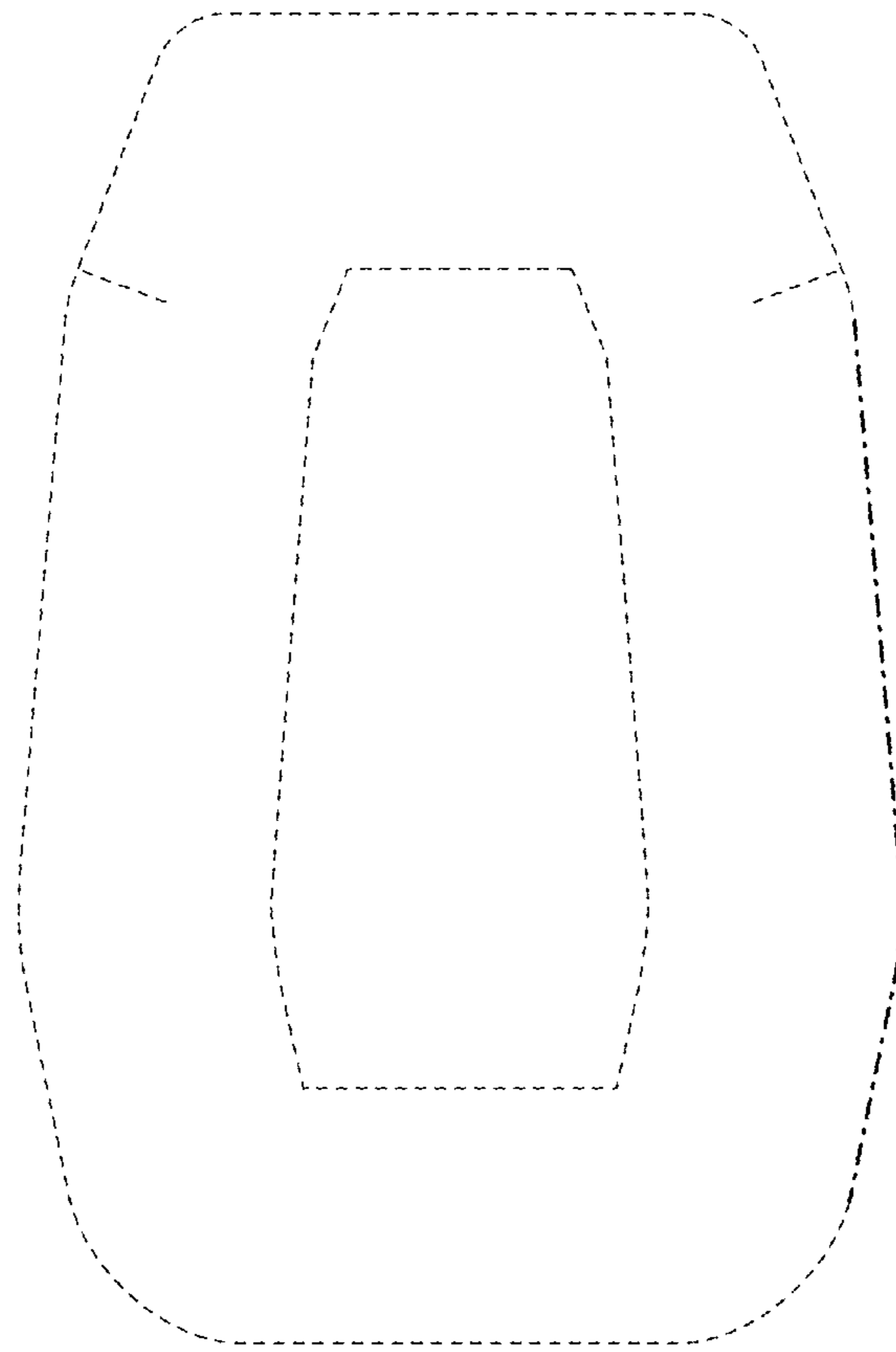


FIG. 6