

US00D875530S

(12) **United States Design Patent** (10) **Patent No.:** **US D875,530 S**
Sill et al. (45) **Date of Patent:** **** Feb. 18, 2020**

- (54) **COMPARTMENTED CARTON INSERT**
- (71) Applicant: **Inno-Pak, LLC**, Delaware, OH (US)
- (72) Inventors: **Jonathan D. Sill**, Delaware, OH (US);
Steven A. Mayer, Indianapolis, IN (US)
- (73) Assignee: **INNO-PAK, LLC**, Delaware, OH (US)
- (**) Term: **15 Years**
- (21) Appl. No.: **29/673,300**
- (22) Filed: **Dec. 13, 2018**

- 2,062,949 A 12/1936 Taylor
 - D106,826 S 11/1937 Dieffenbach
 - D126,123 S 3/1941 Clemens
 - 2,409,736 A 10/1946 Caimi
 - D158,362 S 5/1950 Dischler
 - 2,568,170 A 9/1951 Ringler
 - 2,793,801 A 5/1957 Papadopoulos
 - D183,716 S 10/1958 Burns
 - D194,246 S 12/1962 Engelmann
 - D200,249 S 2/1965 Hancock
 - D211,564 S 7/1968 Bailey
 - 3,391,816 A 7/1968 Swett
 - D212,495 S 10/1968 Stageberg
 - D214,523 S 6/1969 Stone
 - D217,441 S 5/1970 Kanaga
 - D219,263 S * 11/1970 Castelli D7/546
- (Continued)

Related U.S. Application Data

- (62) Division of application No. 29/605,749, filed on May 30, 2017, which is a division of application No. 29/569,256, filed on Jun. 24, 2016, now Pat. No. Des. 792,222.
- (51) **LOC (12) Cl.** **09-07**
- (52) **U.S. Cl.**
USPC **D9/456; D7/553.2**
- (58) **Field of Classification Search**
USPC D3/201, 202, 203.1, 203.2, 203.3, 204;
D9/414-419, 421-425, 427-429,
D9/430-436, 443, 444, 447, 455-457,
D9/499, 737, 756, 759-761; D7/396.1,
D7/550.1, 553.2, 553.3, 554.4, 555, 601,
D7/602, 629, 729
CPC B65D 71/00; B65D 5/503; B65D 5/36;
B65D 5/20; B01L 2300/0609
See application file for complete search history.

References Cited

U.S. PATENT DOCUMENTS

- D73,127 S 7/1927 Greve
- 2,019,870 A 11/1935 Perry

OTHER PUBLICATIONS

The Dumbbelle. Fitness Meal Prep Containers for Healthy Living. No date specified. <https://thedumbbelle.com/fitness-meal-prep-containers/> (Year: 0).*

(Continued)

Primary Examiner — Darcey E Gottschalk
(74) *Attorney, Agent, or Firm* — Ward and Smith, P.A.;
Ryan K. Simmons

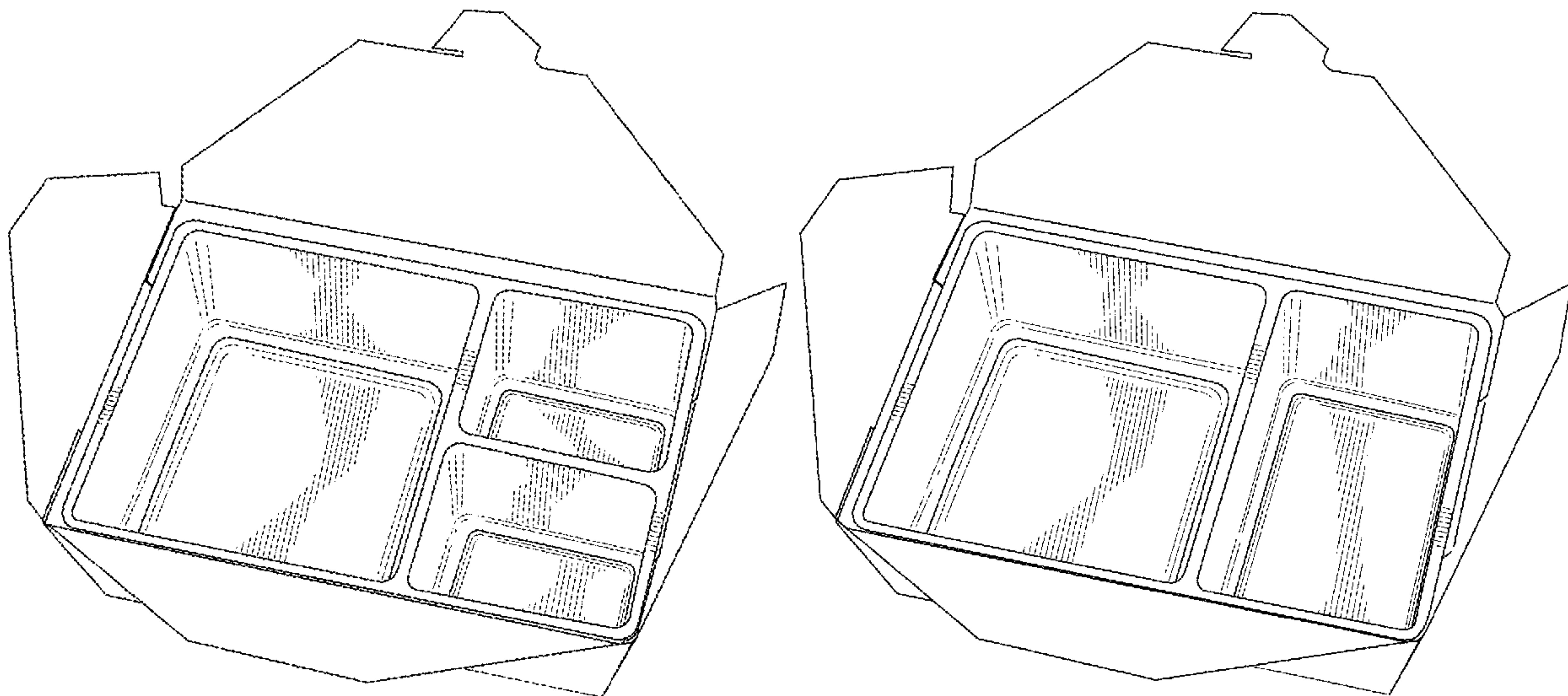
(57) **CLAIM**

The ornamental design for a compartmented carton insert, as shown and described.

DESCRIPTION

FIG. 1 is a perspective view of a compartmented carton insert showing a new design; and, FIG. 2 is a perspective view of the compartmented carton insert showing an alternate configuration. The dash-dash broken lines are for the purpose of illustrating environment and form no part of the claimed design.

1 Claim, 2 Drawing Sheets



(56)

References Cited

U.S. PATENT DOCUMENTS

3,595,425 A	7/1971	Eicholtz	D599,611 S	9/2009	Hoekstra
D224,090 S	7/1972	Cyr	D605,896 S	12/2009	Zalewski
D232,302 S	8/1974	Lazure	D608,153 S	1/2010	Furlong
D232,524 S	8/1974	Schy	D615,822 S	5/2010	Klein
3,853,220 A	12/1974	Luray	D622,139 S	8/2010	Marcott et al.
D241,016 S	8/1976	Reynold	D630,508 S	1/2011	Hubbard et al.
D255,011 S	5/1980	Cooper	D630,885 S	1/2011	Stein
D259,615 S	6/1981	Morris, Jr.	D631,741 S	2/2011	Hubbard et al.
D260,604 S	9/1981	Otto	D631,742 S	2/2011	Hubbard, Jr.
4,529,464 A	7/1985	Jones	D631,743 S	2/2011	Hubbard, Jr.
D280,290 S	8/1985	Bakus	D633,341 S	3/2011	Smyers
D329,376 S	9/1992	Burd	D643,311 S	8/2011	Meyers
5,322,182 A	6/1994	Fritz	D645,708 S	9/2011	Stamper
D351,997 S	11/1994	Finnah	8,061,585 B2	11/2011	Nikolai
D352,203 S *	11/1994	Campbell D7/546	D649,838 S	12/2011	Stamper
5,411,204 A	5/1995	DeMay	D652,316 S	1/2012	Ren
5,419,451 A	5/1995	Bitel, Jr.	D653,496 S	2/2012	Henry
D363,192 S	10/1995	Reeves et al.	D665,628 S	8/2012	Mayer
D363,856 S	11/1995	Westbrooks, Jr.	D669,352 S	10/2012	Paslawski
D367,172 S	2/1996	Brighbill et al.	D674,690 S	1/2013	Sill
D371,940 S *	7/1996	Krupa D30/130	D675,092 S	1/2013	Sill
D372,170 S	7/1996	Ahern, Jr.	D675,520 S	2/2013	Sill
D376,953 S	12/1996	Dunn	D675,920 S	2/2013	Sill
D394,385 S	5/1998	Laughlin	D676,742 S	2/2013	Walter
D395,547 S	6/1998	Sussman	D678,760 S	3/2013	Cooper
D397,294 S	8/1998	Saulas	D678,761 S	3/2013	Cooper
D398,526 S	9/1998	Schwarz et al.	D678,762 S	3/2013	Cooper
5,873,220 A	2/1999	Haraldson et al.	D678,779 S	3/2013	Lee
D409,908 S	5/1999	Besana	D679,950 S	4/2013	Cooper
2,927,502 A	7/1999	Hunter	D682,085 S	5/2013	Hannant
D412,398 S	8/1999	Watabe	D682,684 S	5/2013	Walter
D440,118 S	4/2001	Claffy	D684,465 S	6/2013	Vernon
D442,859 S	5/2001	Hirschey	D684,858 S	6/2013	Sill
D444,703 S	7/2001	Allasia	D688,552 S	8/2013	Vernon
D448,130 S	9/2001	Wagner	D688,572 S *	8/2013	Marin D9/425
D451,769 S	12/2001	Stanos	D688,921 S *	9/2013	Miros D7/629
D454,495 S	3/2002	Bryan	D691,035 S	10/2013	Sill
D460,689 S	7/2002	Robinson	D693,180 S	11/2013	Peterson
D461,406 S	8/2002	Iacovelli	D693,215 S	11/2013	Sill
D467,798 S	12/2002	Cohon	D693,216 S	11/2013	Sill
D484,364 S	12/2003	Bailey et al.	D693,217 S	11/2013	Sill
D484,799 S	1/2004	Hoffman	D693,218 S	11/2013	Sill
D495,251 S	8/2004	Zack	D693,646 S	11/2013	Katterheinrich
D497,309 S	10/2004	Nordland	D693,679 S	11/2013	Sill
D500,674 S	1/2005	Chou	D695,101 S	12/2013	Keberlein
D504,813 S	5/2005	Chou	D695,104 S	12/2013	Sill
D509,733 S	9/2005	Jongens	D695,107 S	12/2013	Clements
D512,836 S	12/2005	Marnell	D695,575 S	12/2013	Katz
D519,366 S	4/2006	Epstein	D695,605 S	12/2013	Johnson
D519,830 S	5/2006	Yocum	D697,789 S	1/2014	Gerdes
D521,376 S	5/2006	Mosto	D706,132 S	6/2014	Sill
D521,862 S	5/2006	Siethoff	D707,042 S	6/2014	Ruzzenente
D531,498 S	11/2006	Fluegel	D707,123 S	6/2014	Marchetti
D542,129 S	5/2007	Moorman	D710,691 S	8/2014	Genender
D549,456 S	8/2007	Dretzka	D712,153 S	9/2014	Lee
D549,457 S	8/2007	Dretzka	D714,638 S	10/2014	Mohn
D557,047 S	12/2007	Dretzka	8,939,350 B2	1/2015	Valencia
D561,023 S	2/2008	Jacxsens	D726,533 S	4/2015	Northrup
D561,408 S	2/2008	Marsh	D727,724 S *	4/2015	Pipes A24F 23/00 D9/428
D562,125 S	2/2008	Kienemund-Paroll	D727,732 S	4/2015	Petty
D563,673 S	3/2008	Dretzka	D728,359 S	5/2015	Iwegbu
D567,671 S	4/2008	Say Ulin	D728,364 S	5/2015	Baker
D568,765 S	5/2008	Miles	D730,178 S	5/2015	Fullan
D573,408 S	7/2008	Lovett	D731,325 S	6/2015	Loessin
D573,409 S *	7/2008	Lovett D7/553.3	D735,576 S	8/2015	Aldridge
D576,482 S	9/2008	DeBusk	D737,820 S	9/2015	Yu
D578,387 S	10/2008	Lovett	9,211,970 B2	12/2015	Hubbard, Jr.
D582,268 S	12/2008	Zanaletti	9,216,837 B2	12/2015	Hubbard
D584,108 S	1/2009	Olsson	D746,643 S	1/2016	Kraemer
D590,596 S	4/2009	Dretzka	D752,429 S	3/2016	Mayer
D595,155 S	6/2009	Larson	9,309,023 B2	4/2016	Hubbard, Jr.
D596,027 S	7/2009	Kalberer	D758,184 S	6/2016	Tu
D596,448 S	7/2009	Nolan	D763,706 S	8/2016	Shum
D596,449 S	7/2009	Nolan	D764,276 S	8/2016	Das et al.
D596,903 S	7/2009	Willis	D764,281 S	8/2016	Mayer
			D766,664 S *	9/2016	Wilson D7/553.2
			D767,409 S	9/2016	Nickell
			D770,270 S	11/2016	McGarry

(56)

References Cited

U.S. PATENT DOCUMENTS

D771,486	S	11/2016	Mayer	
D772,053	S	11/2016	Mayer	
D775,946	S	1/2017	Ghini	
D777,029	S	1/2017	Stratton	
D778,115	S	2/2017	Strachan	
D778,155	S	2/2017	Strachan	
D778,722	S	2/2017	Strachan	
D784,769	S	4/2017	Beckman	
D786,621	S	5/2017	Davis	
D792,160	S	7/2017	Ng	
D792,161	S	7/2017	Ng	
D792,211	S	7/2017	Foster	
D792,222	S	7/2017	Sill	
D793,868	S	8/2017	Kim	
D798,707	S	10/2017	Mayer	
D809,849	S	2/2018	Lee	
D814,929	S *	4/2018	Bergeron	D9/456
D815,941	S	4/2018	Haddad	
D828,099	S	9/2018	Zhang	
10,167,134	B2 *	1/2019	Zeitlin	A24F 15/20
D840,232	S *	2/2019	Sill	D9/456
D850,932	S	6/2019	Troudt et al.	
D850,933	S	6/2019	Troudt et al.	
2002/0108955	A1	8/2002	Erb	
2003/0217946	A1	11/2003	Hsu	
2004/0182916	A1	9/2004	Roseth	
2005/0051461	A1	3/2005	Bryant	
2005/0124521	A1	6/2005	Sadlowski	
2005/0150788	A1	7/2005	Feusner	
2007/0178194	A1	8/2007	Everard	
2008/0269034	A1	10/2008	Stier	
2009/0186132	A1	7/2009	Mangino	
2010/0065620	A1	3/2010	Smith	
2011/0240653	A1	10/2011	Castner	
2012/0234904	A1	6/2012	Costanzo, Jr.	
2014/0203070	A1	7/2014	Lee	
2014/0263353	A1	9/2014	Bell	
2014/0263600	A1	9/2014	Valencia	
2016/0107830	A1	4/2016	Baryshyan	
2018/0339807	A1	11/2018	Mobarhan	

OTHER PUBLICATIONS

Amazon. Dart 205HT2, 9x6x3-Inch Performer White Two Compartment Foam Container with a Removable Hinged Lid, Carryout Food Disposable Containers. Sep. 12, 2016. <https://amzn.to/2JcBhGZ> (Year: 2016).*

Amazon. Freshware YH-3X30C Meal Prep [30 Pack] 3 Compartment with Lids Food Storage Containers, Lunch BPA Free | Stackable | Bento Box, Microwave/Dishwasher/Freezer Safe, 32 oz. Feb. 13, 2019. <https://amzn.to/2LmPILj> (Year: 2019).*

Amazon. Pactiv RCL750200, 3-Compartment Aluminum Foil Pans Combo with Flat Foil Lids, Take Out Disposable Foil Containers with Matching Covers. Sep. 28, 2016. <https://amzn.to/2WirRgY> (Year: 2016).*

Amazon. 50 Paper Food to Go Containers—51oz—New Design with Waist Seal Band—Eco Friendly Disposable Kraft Paper Take Out Food Container—Sturdy Leak & Grease Proof Microwavable Take Away Boxes. No date specified. <https://amzn.to/2rh7s17> (Year: 0).*

Webstaurant Store. Choice 7¾"x5½"x2" Kraft Microwavable Folded Paper #2 Take-Out Container—200/Case. No date specified. <https://www.webstaurantstore.com/choice-8-1-2-x-6-x-2-kraft-microwavable-folded-paper-2-take-out-container-case/795PTOKFT2.html> (Year: 0).*

West Rock. Bio Plus Earth. No date specified. <http://www.fold-pak.com/Products/Bio-PlusEarth.htm> (Year: 0).*

Southern Champion Tray 0761 #1. [online] Published date unknown. Retrieved on Jul. 13, 2017 from <URL: <https://www.importitall.co.za/Southern-Champion-Tray-0761-1-ChampPak-Retro-TakeOut-Container-Kraft-Paperboard-with-Poly-Coated-Inside-438-L--ap-BOODTNBD70.html>>.

Southern Champion Tray 0764 #4. [online] Published date unknown. Retrieved on Jul. 13, 2017 from <URL: <https://www.importitall.co.za/Southern-Champion-Tray-0764-4-ChampPak-Retro-TakeOut-Container-Kraft-Paperboard-with-Poly-Coated-Inside-734-L--ap-BOODE035YG.html>>.

Curved lid box, available Nov. 2, 2013, [online], [site visited Oct. 30, 2015]. Available from internet, <URL: <http://www.robves.com/category/tags/highlight?page=3>>.

Empty candy boxes, available 10/12/2013, [on line], [site visited Oct. 30, 2015]. Available from internet, <URL: <http://www.blaircandy.com/emcabo.html>>.

Inno-Pak is Staying Put, available Jun. 13, 2015, [on line], [site visited 12/11/2015]. Available from internet, <URL: <http://delgazette.com/news/295/inno-pak-is-staying-put>>.

Kalifornia Love. Jul. 28, 2010 [earliest on line date], [site visited Nov. 4, 2016]. Available from Internet, <URL: <http://www.kalifornialove.com/2010/07/extra-fruit-sensations-sweet-watermelon.html>>.

Natural Kraft Windowed Boxes, available Oct. 4, 2014, [online], [site visited 12/11/2015]. Available from internet, <URL: <http://www.splashpackaging.com/Natural-Kraft-Window-Bakery-Boxes>>.

NEAROF! Review: Stride Spark Vitamin Chewing Gum. Sep. 7, 2011 [earliest on line date], [site visited Nov. 4, 2016]. Available from Internet, <URL: <http://www.nearof.com!?p=540>>.

Origami treasure chest (YouTube), available Nov. 29, 2010, [on line], [site visited Oct. 30, 2015]. Video available from internet, <URL: <https://www.youtube.com/watch?v=WpgGqeBQvj4>>.

Southern Champion Tray Window Bakery Box, available Mar. 15, 2013, [online], [site visited 12/11/2015]. Available from internet, <URL: http://www.amazon.com/gp/product/B008WCWJ9S/ref=s9_zwish_hd_bw_g328_i1?pf_rd_m=ATVPDKIKXODER&pf_rd_merchandise-search-5&pf_rd_r=OF299N2PNPMAY8WZM_12D&pf_rd_1=101&pf_rd_p=2223275202&pf_rd_i=5016466011>.

Take-out Container, available Jan. 17, 2013, [on line], [site visited Oct. 30, 2015]. Available from internet, <URL: http://www.amazon.com/Southern-Champion-Tray-0731-Paperboard/productreviews/B004NG9A2Q/ref=cm_er_pr_btm_link_2?ie=UTF8&showViewpoints=1&sortBy=bySubmissionDaleDescending&reviewerType=all_reviews&fomnatType=all_formals&pageNumber=2>.

Alibaba.com. Black Disposable Divided Food Trays. Oct. 17, 2013 [earliest on line date], [site visited Apr. 3, 2017]. Available from Internet, <URL: <https://thai.alibaba.com/product-detail/black-disposable-divided-food-trays-plastic-1238104653.html>>.

Webstaurant Store. Cambro 9113CW414 Camwear Teal 9"x11" 3 Compartment Meal Delivery Tray. Mar. 14, 2010 [earliest online date], [site visited Apr. 17, 2017]. Available from Internet, <URL: <http://www.webstaurantstore.com/cambro-9113cw414-camwear-teal-9-x-11-3-compartment-meal-delivery-tray-24-case/2149113CWTE.html>>.

Flex Active Sports. Buy 3-Compartment Food Prep Containers. Jan. 5, 2016 [earliest online date], [site visited Apr. 17, 2017]. Available from Internet, <URL: <http://flexactivesports.com/buy-3-compartment-food-prep-containers/>>.

Youtube. Inno-Pak Rigid Microwavable Take Out Containers. Sep. 17, 2014 [earliest online date], [site visited Feb. 2, 2017]. Available from Internet, <URL: https://www.youtube.com/watch?time_continue=28&v=WolGFg_sHskY>.

Inno-Pak. Innobox Edge Insert. Oct. 25, 2016 [earliest online date], [site visited Feb. 2, 2017]. Available from Internet, <URL: <http://www.innopak.com/product/food-service/take-out-packaging/innobox-edge-insert/>>.

Placon. Fresh n Clear GoCubes Black Insert Tray. 2016 [earliest online date], [site visited Jul. 3, 2008]. Available from Internet, <URL: <https://www.placon.com/products/stock-food-package/fresh-n-clear-gocubes-black-insert-tray/>>. (Year: 2016).

Innopak Innobox Edge Insert: Available 2017, Site Visited [Aug. 10, 2018]. Available from Internet URL: <http://www.innopak.com/product/food-service/take-out-packaging/innobox-edge-insert/>.

Alibaba. Disposable plastic two compartment food container. 2018 [earliest online date], [site visited Mar. 8, 2018]. Available from Internet, <URL: <https://www.alibaba.com/product-detail/Disposable-plastic-two-compartment-food-container-60599614850.html>>. Year: 2018).

(56)

References Cited

OTHER PUBLICATIONS

Dean Supply. Disposable Takeout Containers. 2018 [earliest online date], [site visited Mar. 8, 2018]. Available from Internet, <URL: <https://www.shopatdean.com/collections/disposable-takeout-containers-foam-paper-plastic-connpostable/rectangular>>. (Year: 2018).

Amazon, "Food Containers 3 Compartment Premium", retrieved from web <https://www.amazon.com/dp/B0741BQMY7/ref=sspa_dk_detail_2?psc=1&pd_rd_i=B0741BQMY7&pd_rd_wg=gDStp&pd_rd_r=ACEV1YJAC97ZZPCCXWCW&pd_rd_w=XZKtg>, Jul. 18, 2017, 9 pages.

* cited by examiner

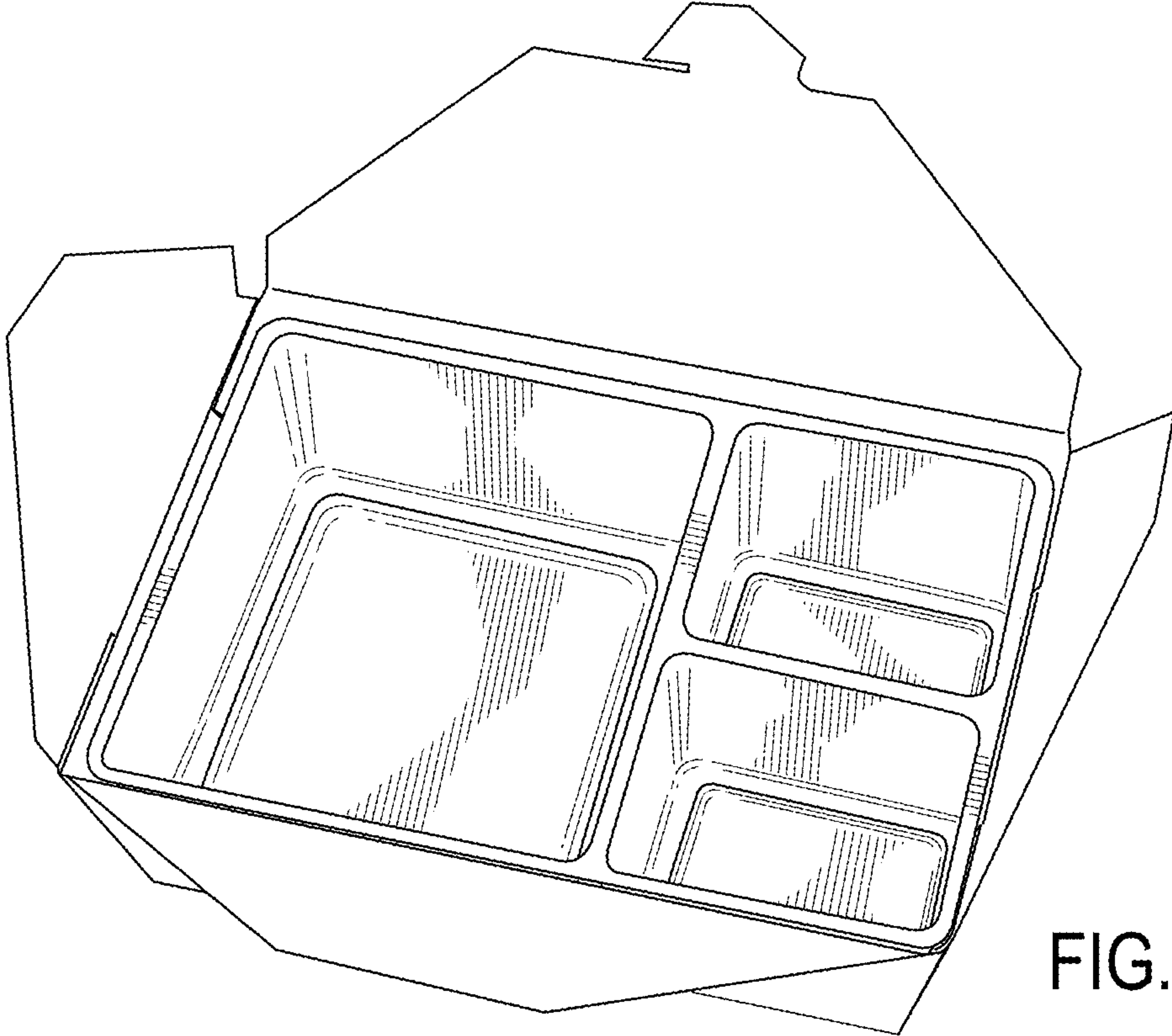


FIG. 1

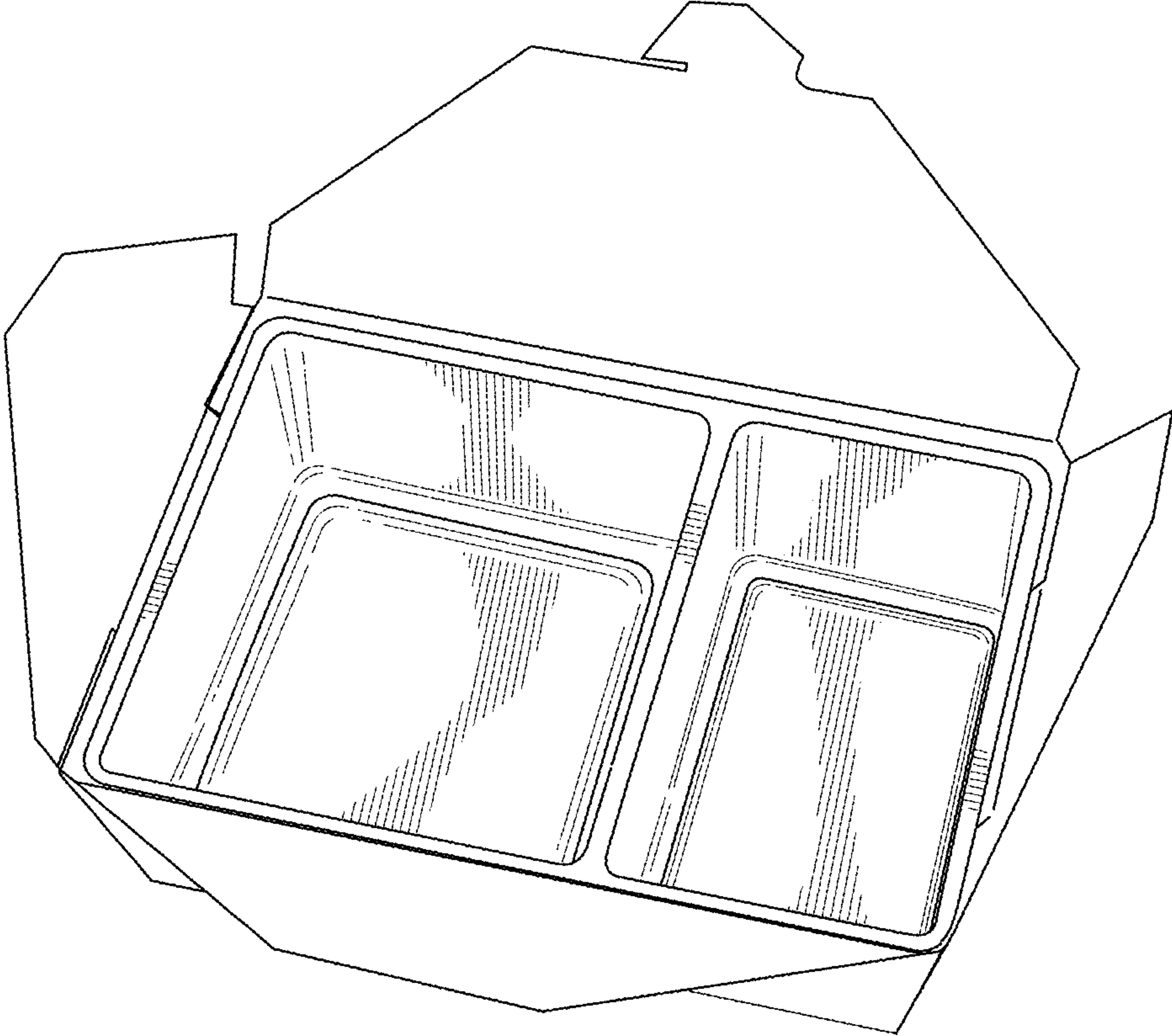


FIG. 2