



US00D875529S

(12) **United States Design Patent** (10) **Patent No.:** **US D875,529 S**  
**Gorman** (45) **Date of Patent:** **\*\* Feb. 18, 2020**

(54) **COMBINED BEVERAGE CONTAINER  
HOLDER AND REMOVABLE SUPPORT  
ADAPTOR**

(71) Applicant: **Michael F. Gorman**, Piqua, OH (US)

(72) Inventor: **Michael F. Gorman**, Piqua, OH (US)

(\*\*) Term: **15 Years**

(21) Appl. No.: **29/623,087**

(22) Filed: **Oct. 23, 2017**

(51) **LOC (12) Cl.** ..... **09-07**

(52) **U.S. Cl.**  
USPC ..... **D9/455; D9/436**

(58) **Field of Classification Search**  
USPC ..... D7/622, 543, 545, 547, 600.1, 601,  
D7/619.1, 709, 392.1, 396.2; D9/434,  
D9/435, 436, 440, 443, 446, 447, 449,  
D9/455, 499; D3/240  
CPC ..... B65D 23/10; B65D 23/104  
See application file for complete search history.

(56) **References Cited**

**U.S. PATENT DOCUMENTS**

D336,042 S *	6/1993	Bondanza	.....	D9/435
D458,844 S *	6/2002	Shea	.....	D9/435
D476,569 S *	7/2003	Simkins	.....	D9/455
D701,763 S *	4/2014	Chur	.....	D9/435
D710,695 S *	8/2014	Pritikin	.....	D9/435
D781,149 S *	3/2017	Kaplan	.....	D9/455
D784,131 S *	4/2017	Jacobs	.....	D9/436
D819,443 S *	6/2018	Martinez Carregui	.....	D9/440
D824,247 S *	7/2018	Minai	.....	D8/396
D834,412 S *	11/2018	Pentland	.....	D9/435

**OTHER PUBLICATIONS**

Car Guy Audio. Bottle Pro 2. 2018. <URL:http://carguyaudio.com/bottlepro-2-adjustable-and-extendable-car-cup-holder-adapter-for-hydro-flasks-32oz40oz-nalgene-32oz40oz-yeti-ramblers-36oz-klan-kanteens-32oz40oz-and-other-large-bottles/>. (Year: 2018).\*  
Amazon. BottlePro Cup Holder. Jun. 29, 2015. <URL:https://www.amazon.com/BottlePro-Version-Adjustable-Extendable-Nalgene/dp/B01M028L5E>. (Year: 2015).\*

\* cited by examiner

*Primary Examiner* — Darcey E Gottschalk  
(74) *Attorney, Agent, or Firm* — Jacox, Meckstroth & Jenkins

(57) **CLAIM**

The ornamental design for a combined beverage container holder and removable support adaptor, as shown and described.

**DESCRIPTION**

FIG. 1 is a perspective view of a combined beverage container holder and removable support adaptor;  
FIG. 2 is a side view thereof; the opposite side view being a mirror image;  
FIG. 3 is a rear view thereof;  
FIG. 4 is a front view thereof;  
FIG. 5 is a top view thereof; and,  
FIG. 6 is a bottom view thereof.  
The broken lines in FIGS. 2, 3, 4, 5 and 6 depict surface portions of the combined beverage container holder and removable support adaptor that form no part of the claim.

**1 Claim, 1 Drawing Sheet**

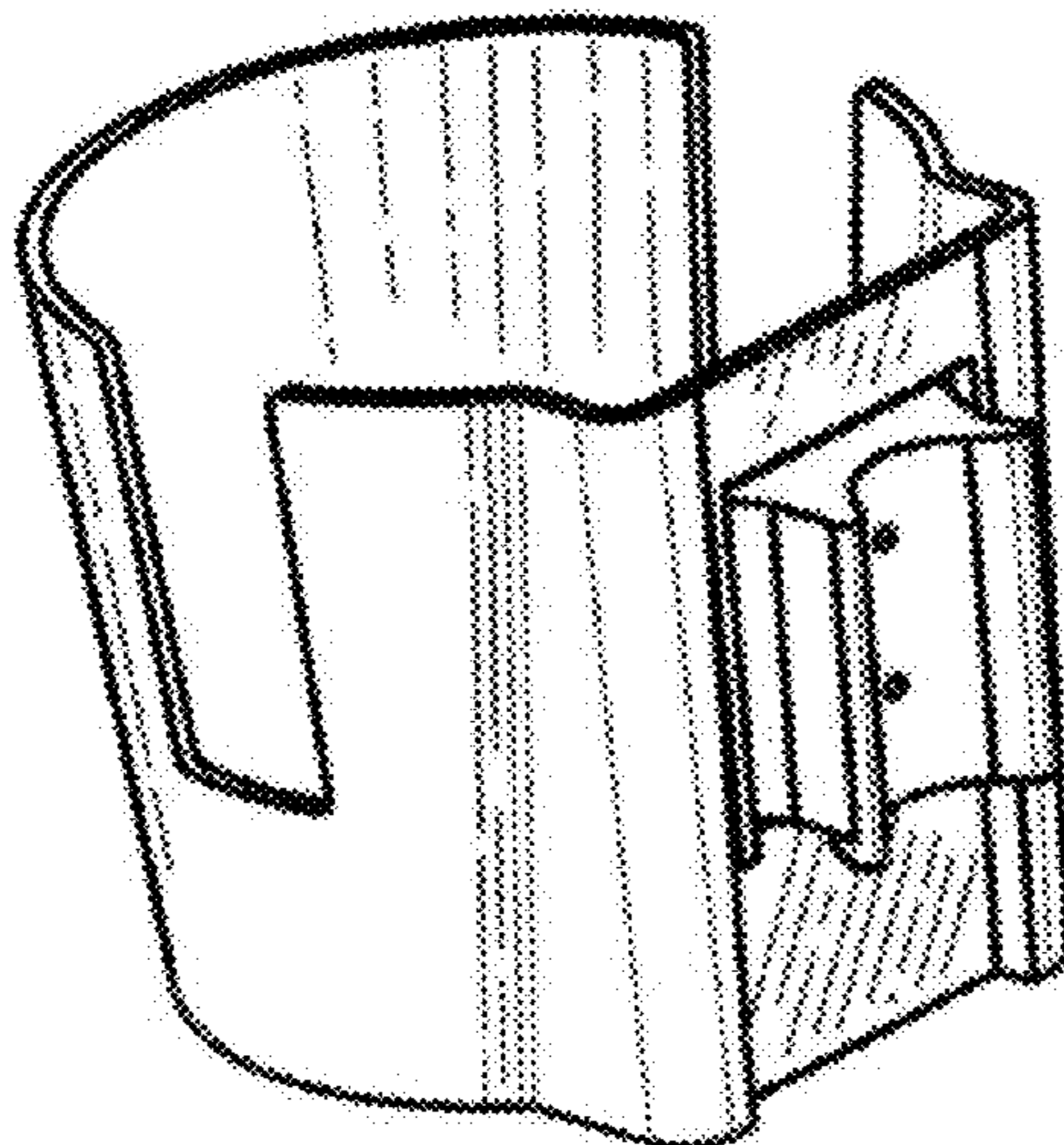


FIG. 1

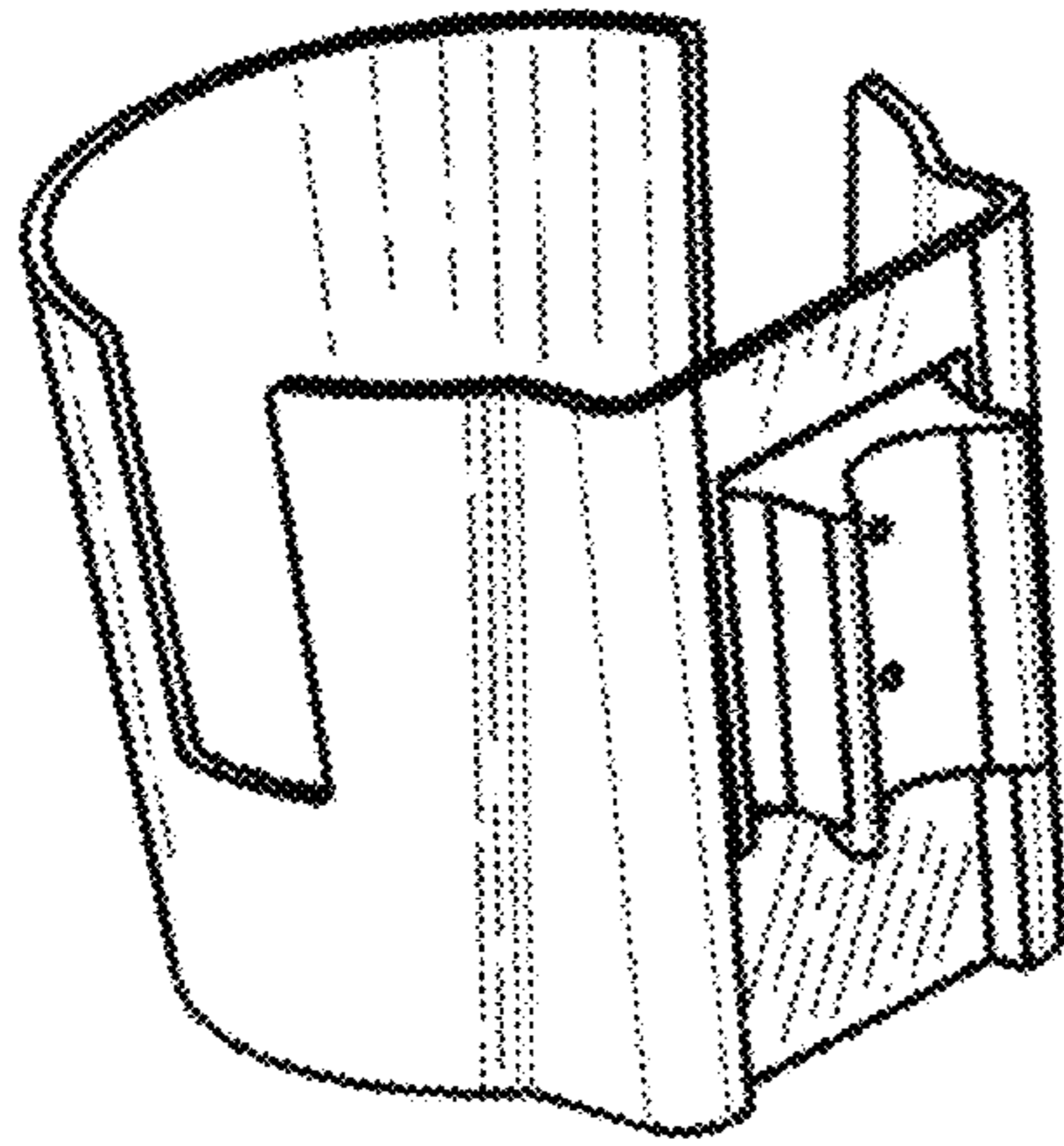


FIG. 2

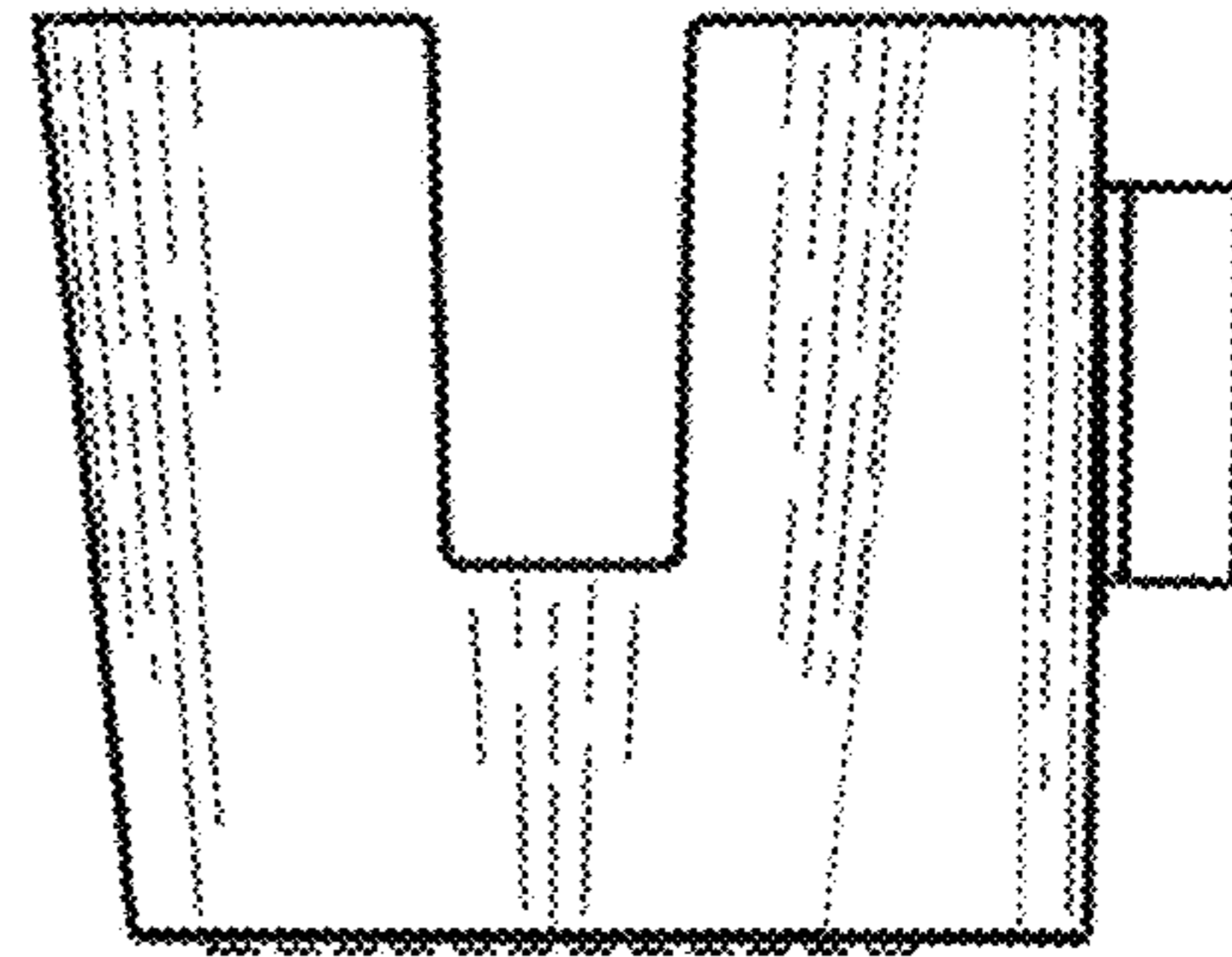


FIG. 3

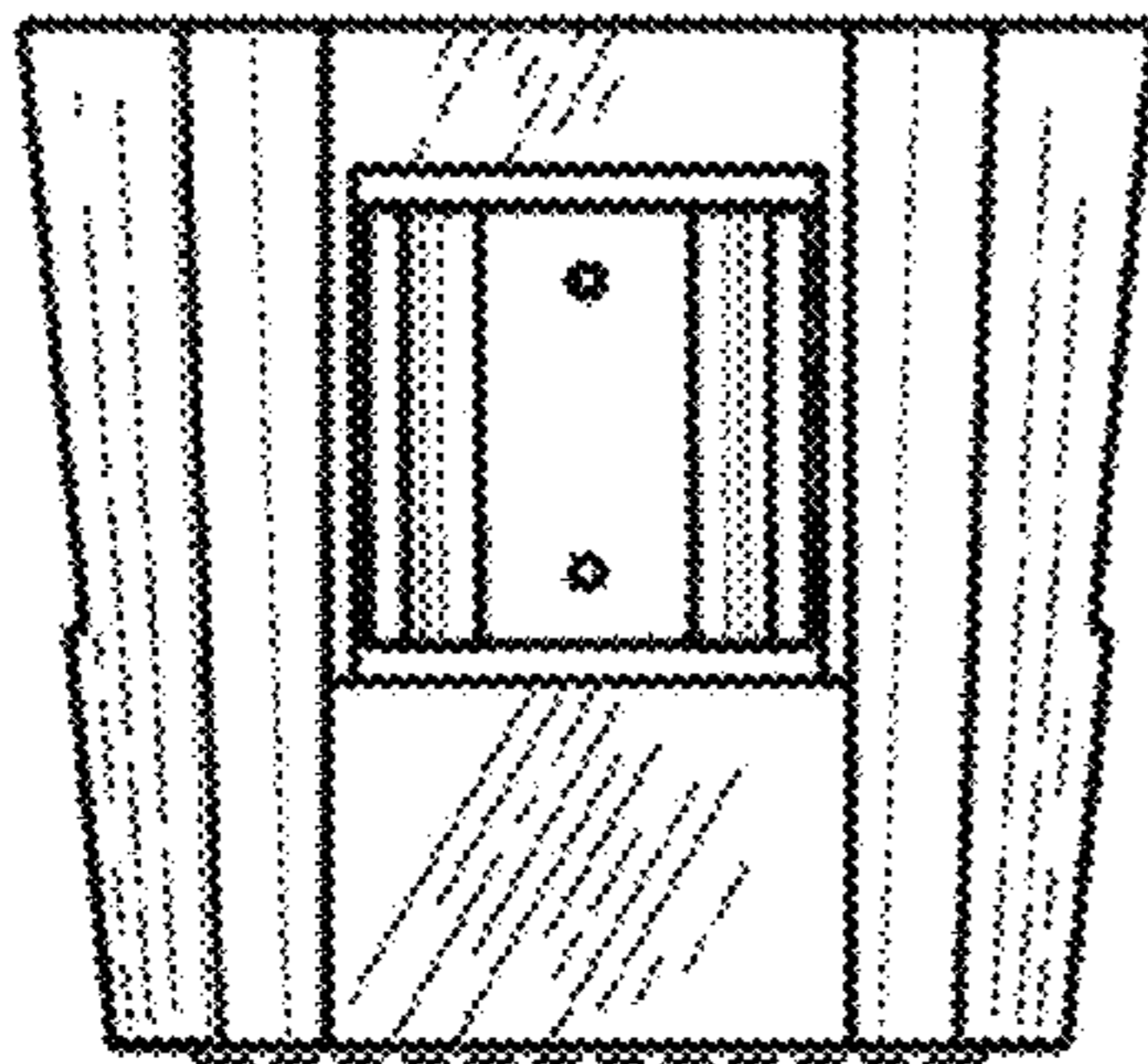


FIG. 4

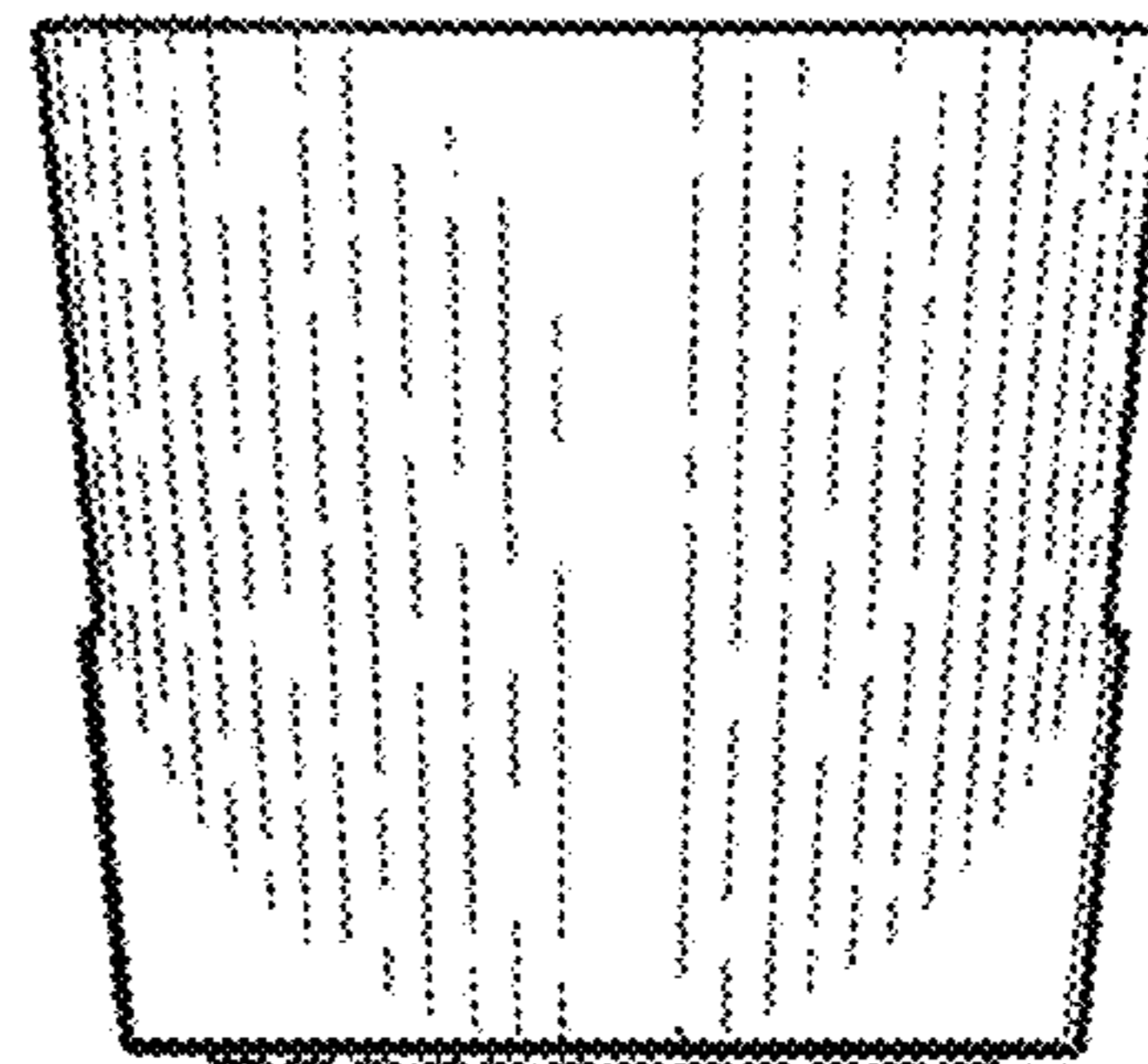


FIG. 5

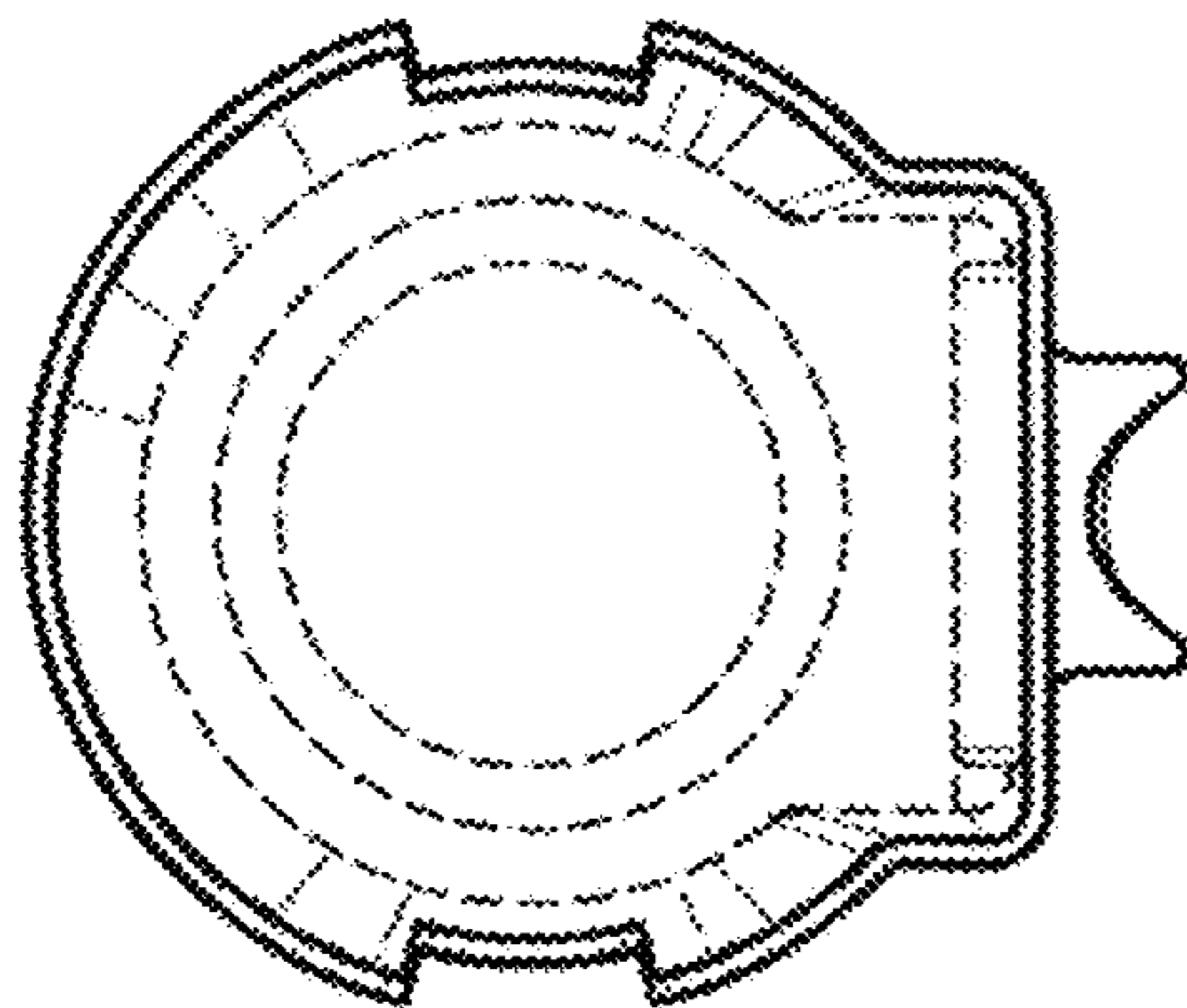


FIG. 6

