



US00D875527S

(12) **United States Design Patent**
Sterling et al.

(10) **Patent No.:** **US D875,527 S**

(45) **Date of Patent:** **** Feb. 18, 2020**

(54) **CLOSURE WITH GRIP FEATURES**

(71) Applicant: **Henkel IP & Holding GmbH**,
Duesseldorf (DE)

(72) Inventors: **Daniel Peter Sterling**, Fairfield, CT
(US); **Elizabeth Meriwether Boyd**,
Auburn, AL (US); **Glenn William
Kaye**, Stamford, CT (US); **Anne
Elizabeth Lindert Nixon**, Newtown,
CT (US)

(73) Assignee: **Henkel IP & Holding GmbH** (DE)

(**) Term: **15 Years**

(21) Appl. No.: **29/621,456**

(22) Filed: **Oct. 9, 2017**

(51) **LOC (12) Cl.** **09-07**

(52) **U.S. Cl.**
USPC **D9/453; D9/443**

(58) **Field of Classification Search**
USPC D7/316, 392, 392.1, 396.2, 397, 510,
D7/533; D9/434-436, 440, 443, 445,
(Continued)

(56) **References Cited**

U.S. PATENT DOCUMENTS

D53,911 S * 10/1919 Humphrey D8/DIG. 2
D58,571 S * 8/1921 Hyatt D9/453
(Continued)

OTHER PUBLICATIONS

Thermo Fisher. Samco Narrow Mouth Bio-Tite 60mL (2 oz.) 48mm
Specimen Containers. 2018 [earliest online date], [site visited Aug.
30, 2018]. Available from Internet, <URL:https://www.thermofisher.
com/order/catalog/product/030007>. (Year: 2018).*

(Continued)

Primary Examiner — Darcey E Gottschalk

(74) *Attorney, Agent, or Firm* — Bojuan Deng

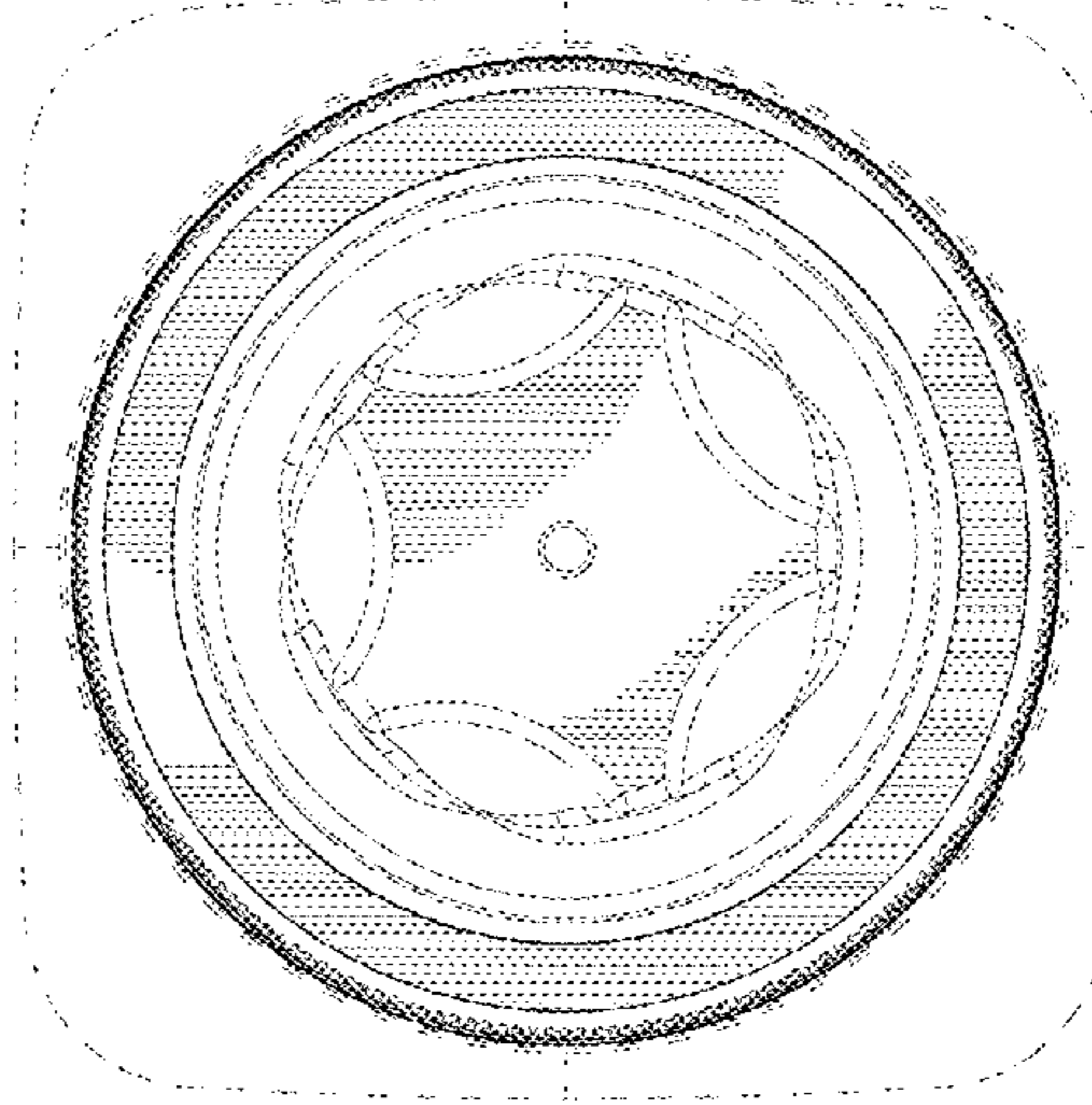
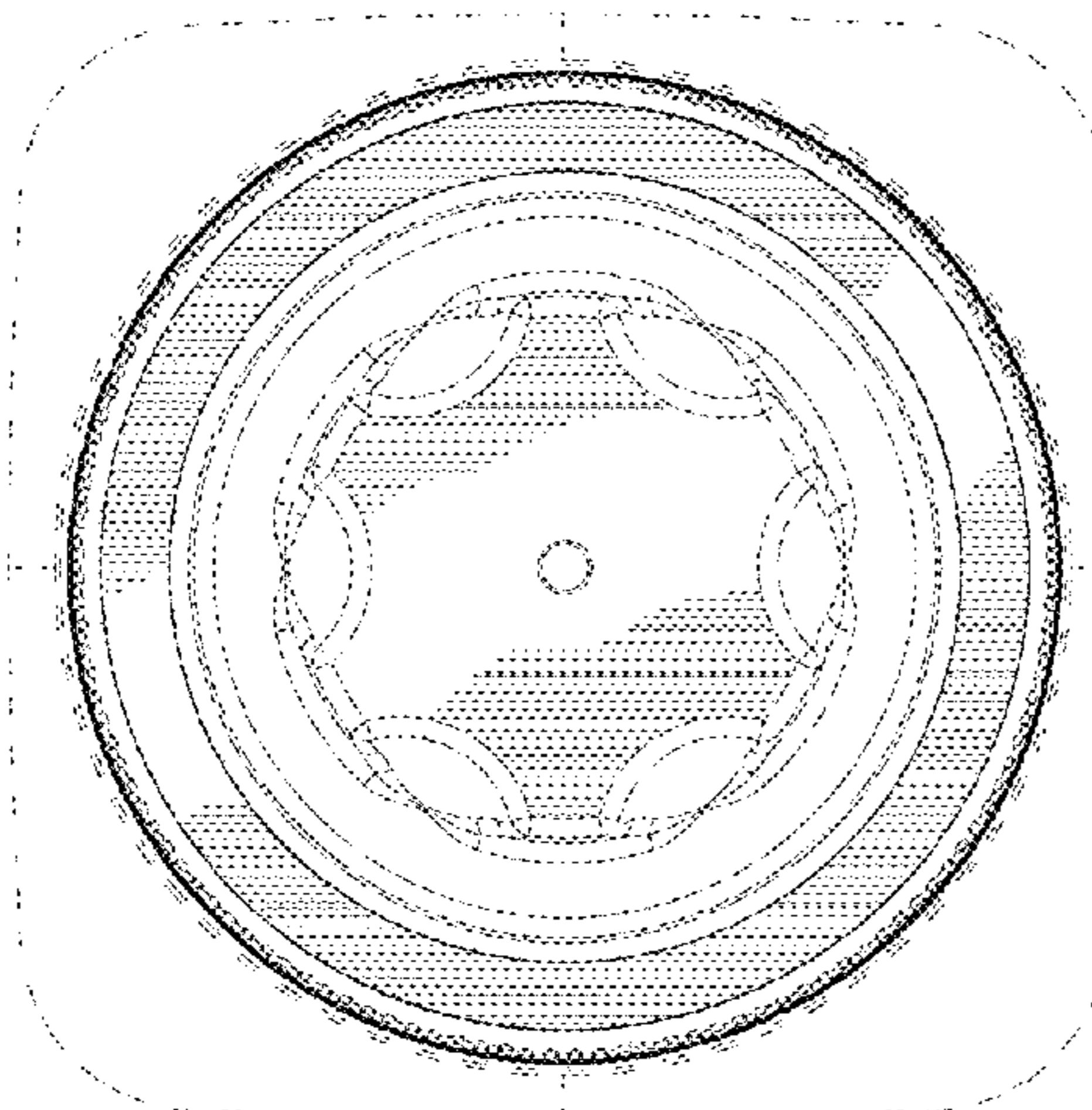
(57) **CLAIM**

The ornamental design for a closure with grip features, as
shown and described.

DESCRIPTION

FIG. 1 is a top perspective view taken from one embodiment
of our new design for a closure with grip features;
FIG. 2 is a top view thereof;
FIG. 3 is a bottom view thereof;
FIG. 4 is a front view thereof;
FIG. 5 is a right side view thereof;
FIG. 6 is a left side view thereof; and,
FIG. 7 is a rear view thereof;
FIG. 8 is a top perspective view taken from a second
embodiment of our new design for a closure with grip
features;
FIG. 9 is a top view thereof;
FIG. 10 is a bottom view thereof;
FIG. 11 is a front view thereof;
FIG. 12 is a right side view thereof;
FIG. 13 is a left side view thereof; and,
FIG. 14 is a rear view thereof;
FIG. 15 is a top perspective view taken from a third
embodiment of our new design for a closure with grip
features;
FIG. 16 is a top view thereof;
FIG. 17 is a bottom view thereof;
FIG. 18 is a front view thereof;
FIG. 19 is a right side view thereof;
FIG. 20 is a left side view thereof; and,
FIG. 21 is a rear view thereof;
FIG. 22 is a top perspective view taken from a fourth
embodiment of our new design for a closure with grip
feature;
FIG. 23 is a top view thereof;
FIG. 24 is a bottom view thereof;
FIG. 25 is a front view thereof;
FIG. 26 is a right side view thereof;
FIG. 27 is a left side view thereof; and,
FIG. 28 is a rear view thereof.

1 Claim, 28 Drawing Sheets



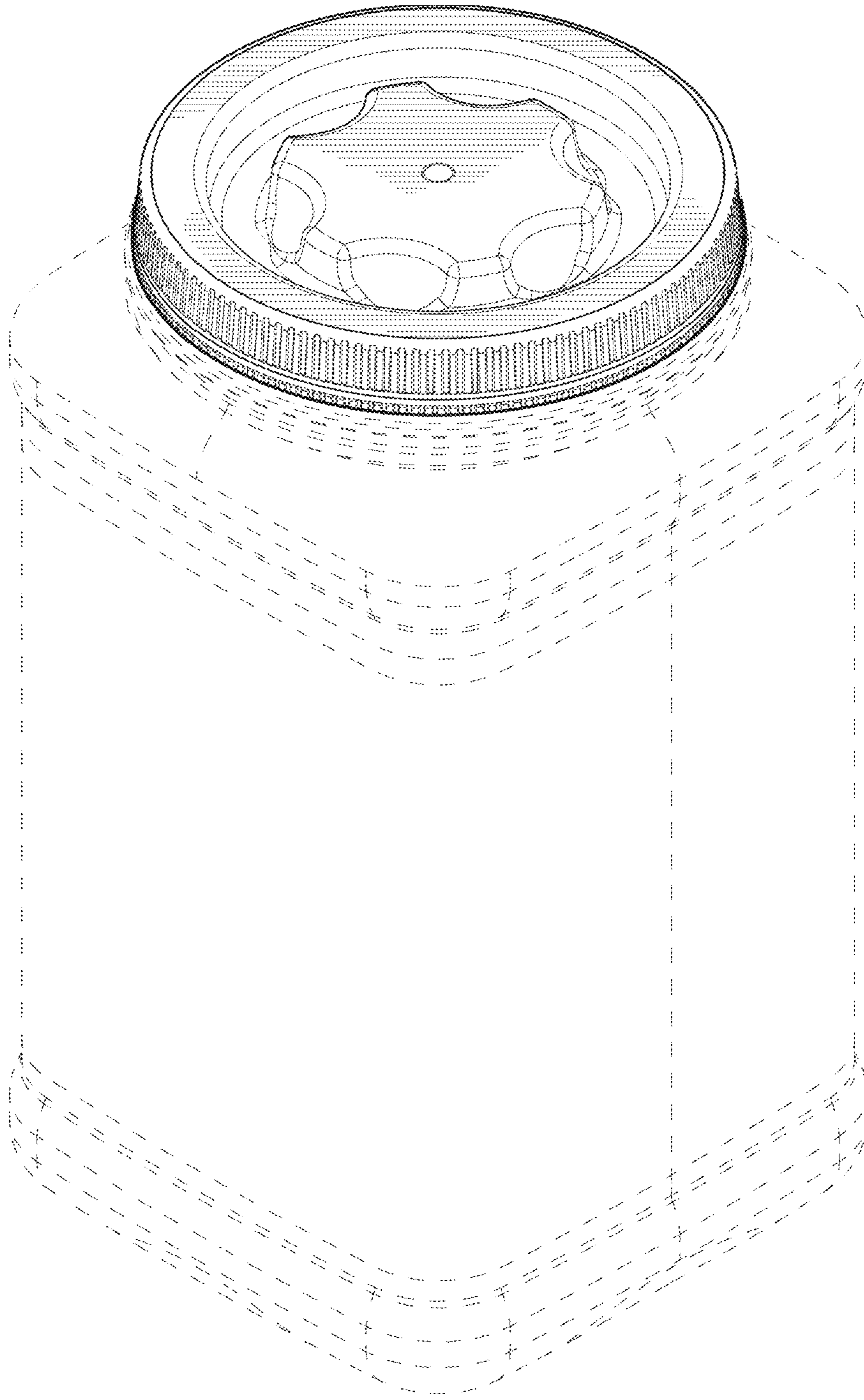


FIG. 1

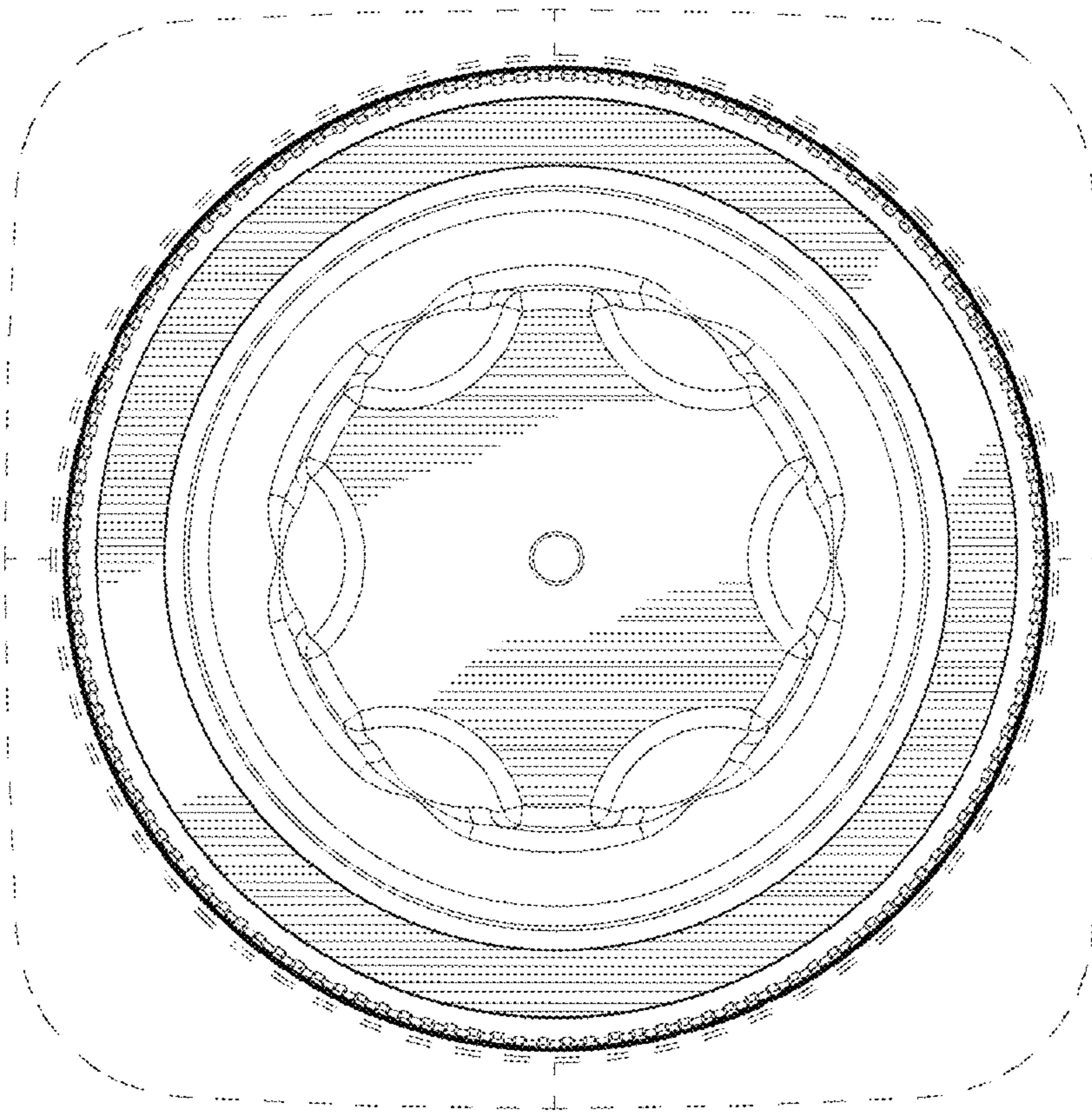


FIG. 2

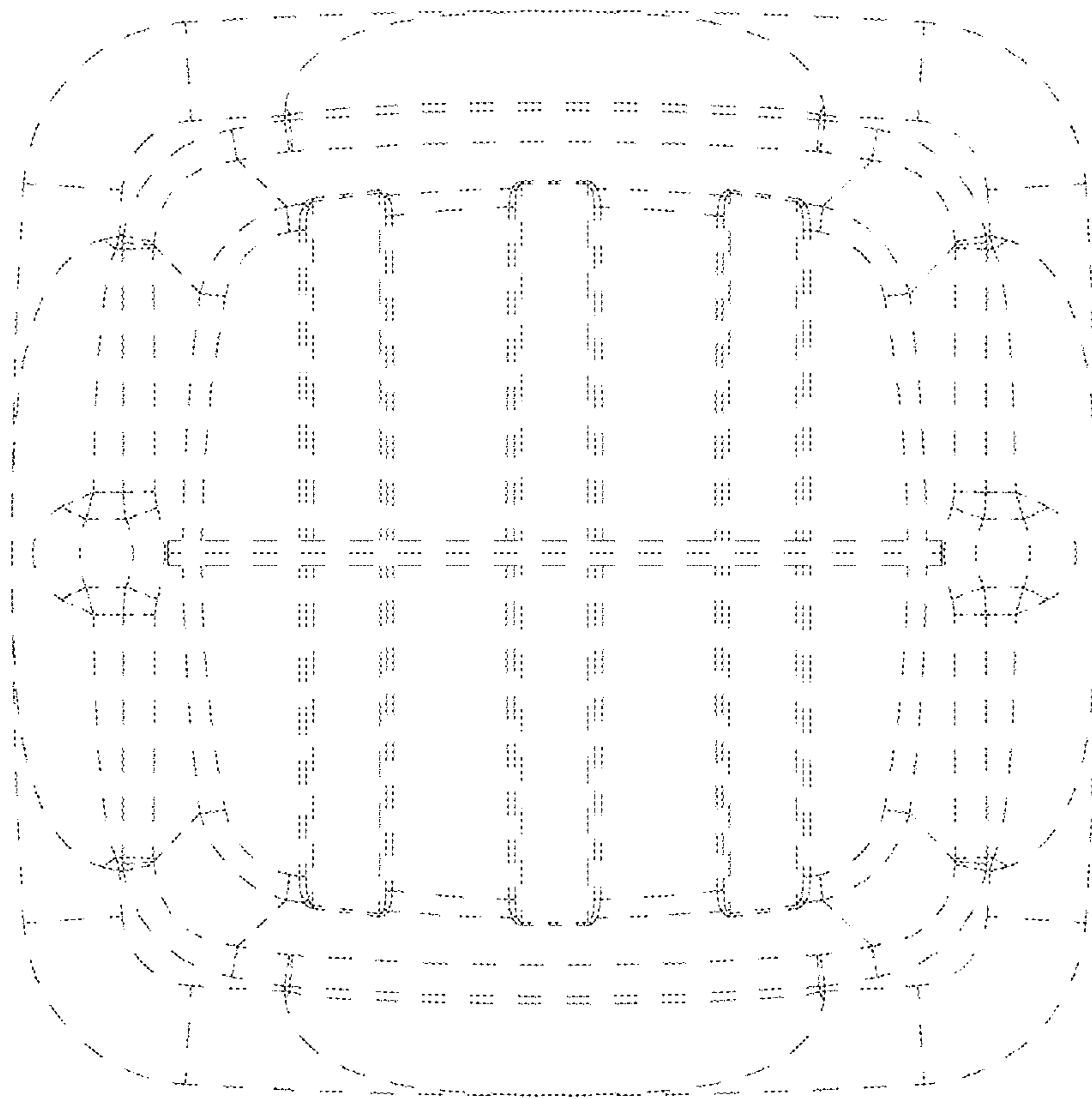


FIG. 3

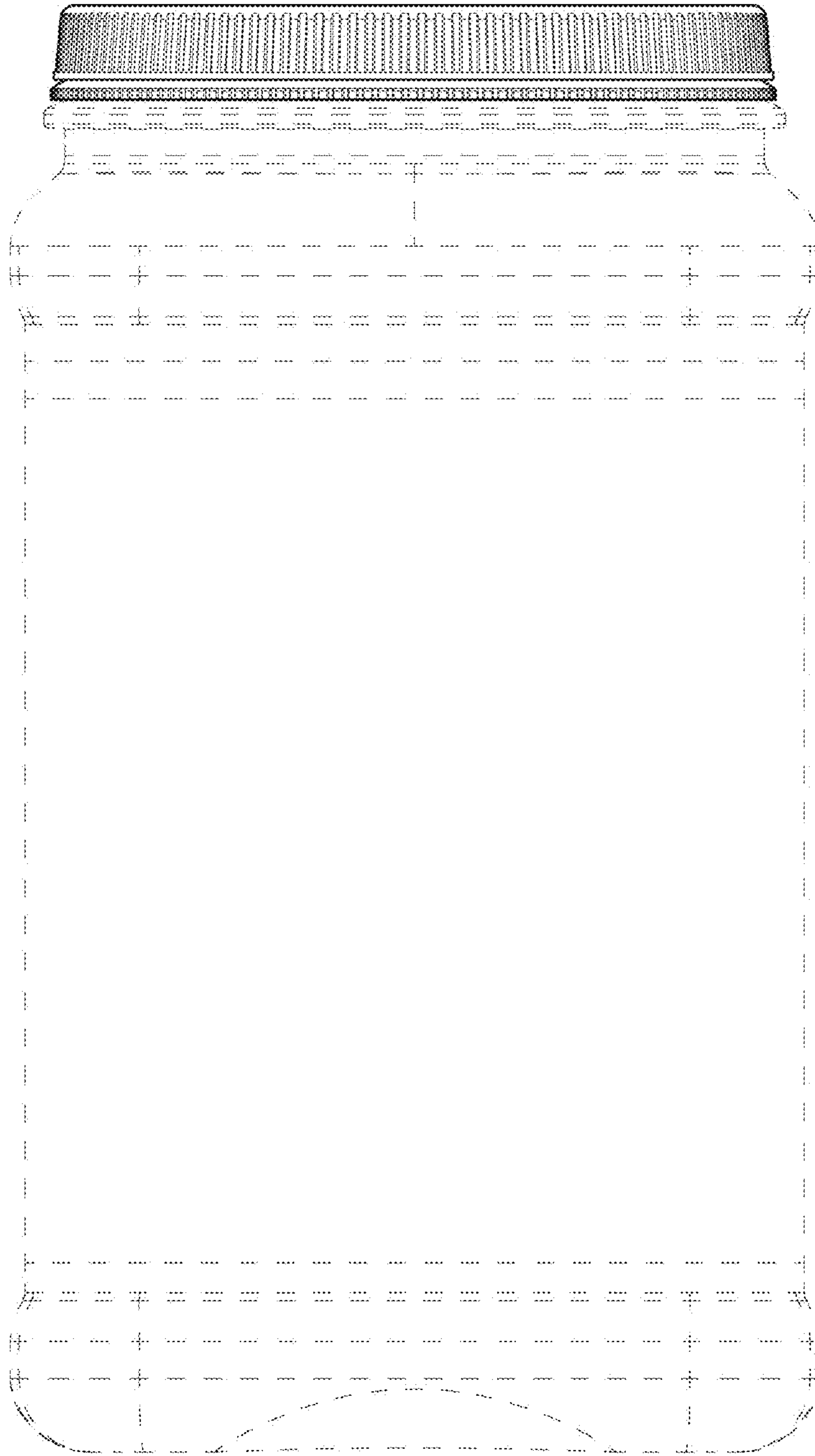


FIG. 4

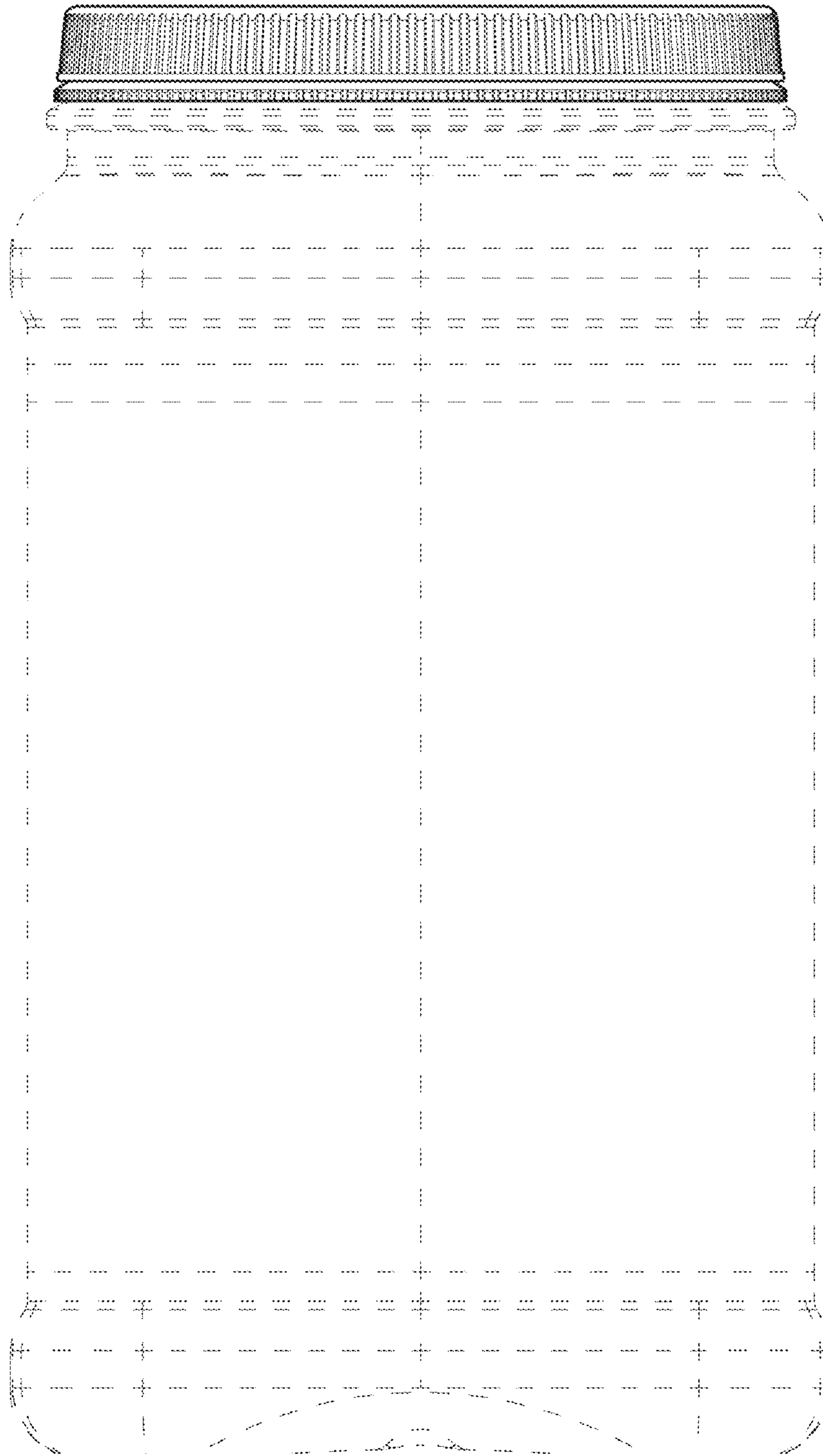


FIG. 5

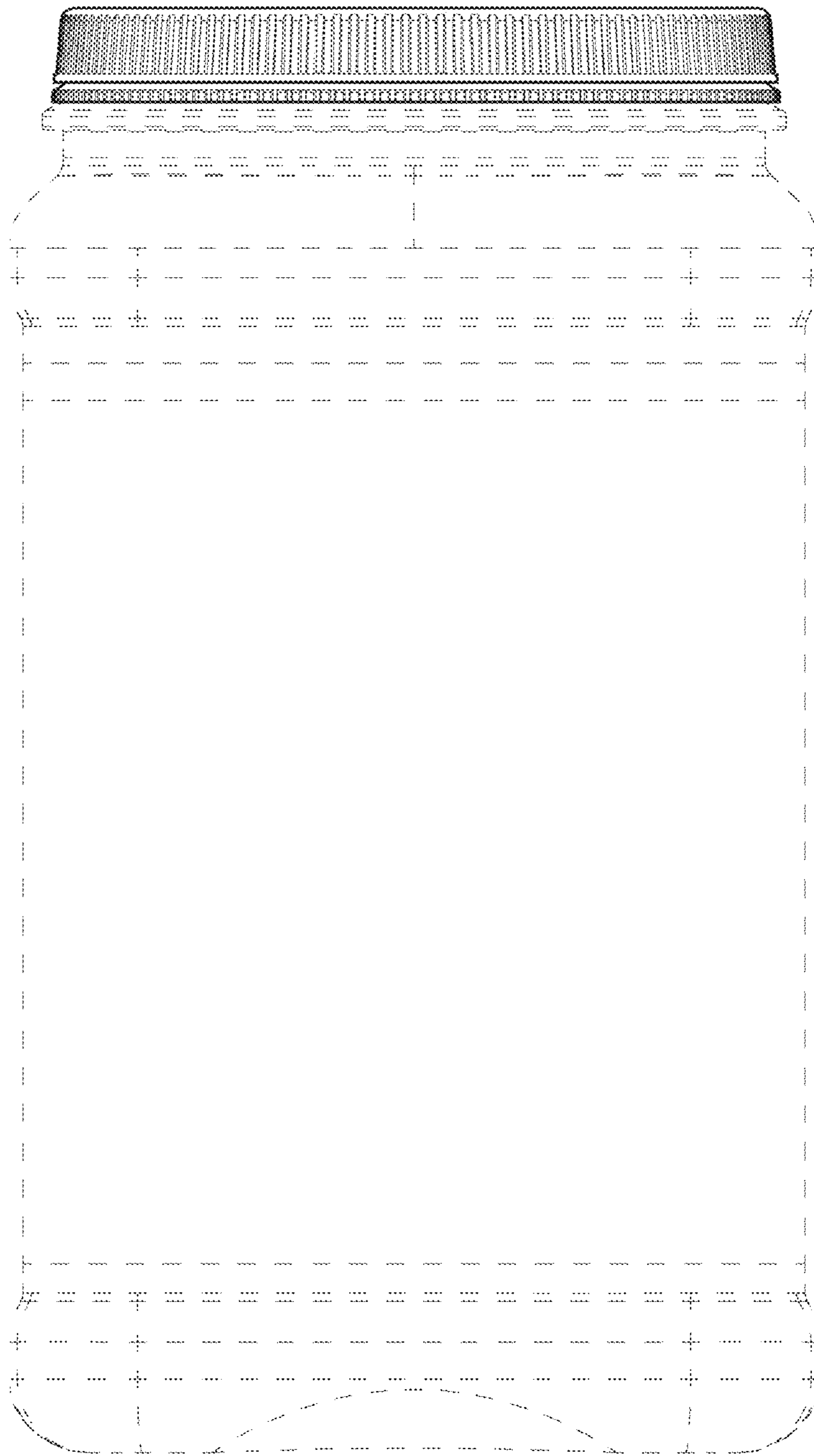


FIG. 6

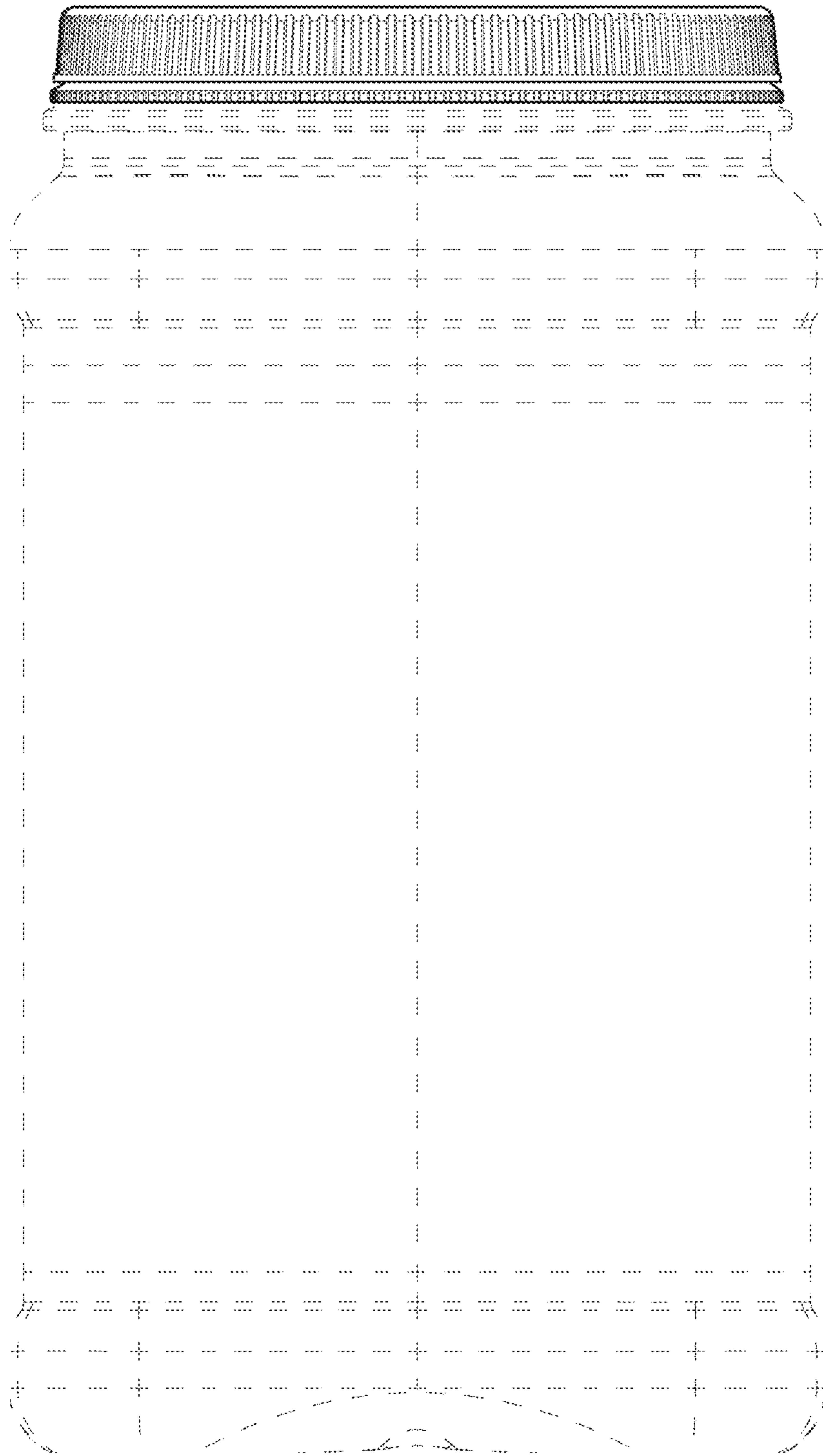


FIG. 7

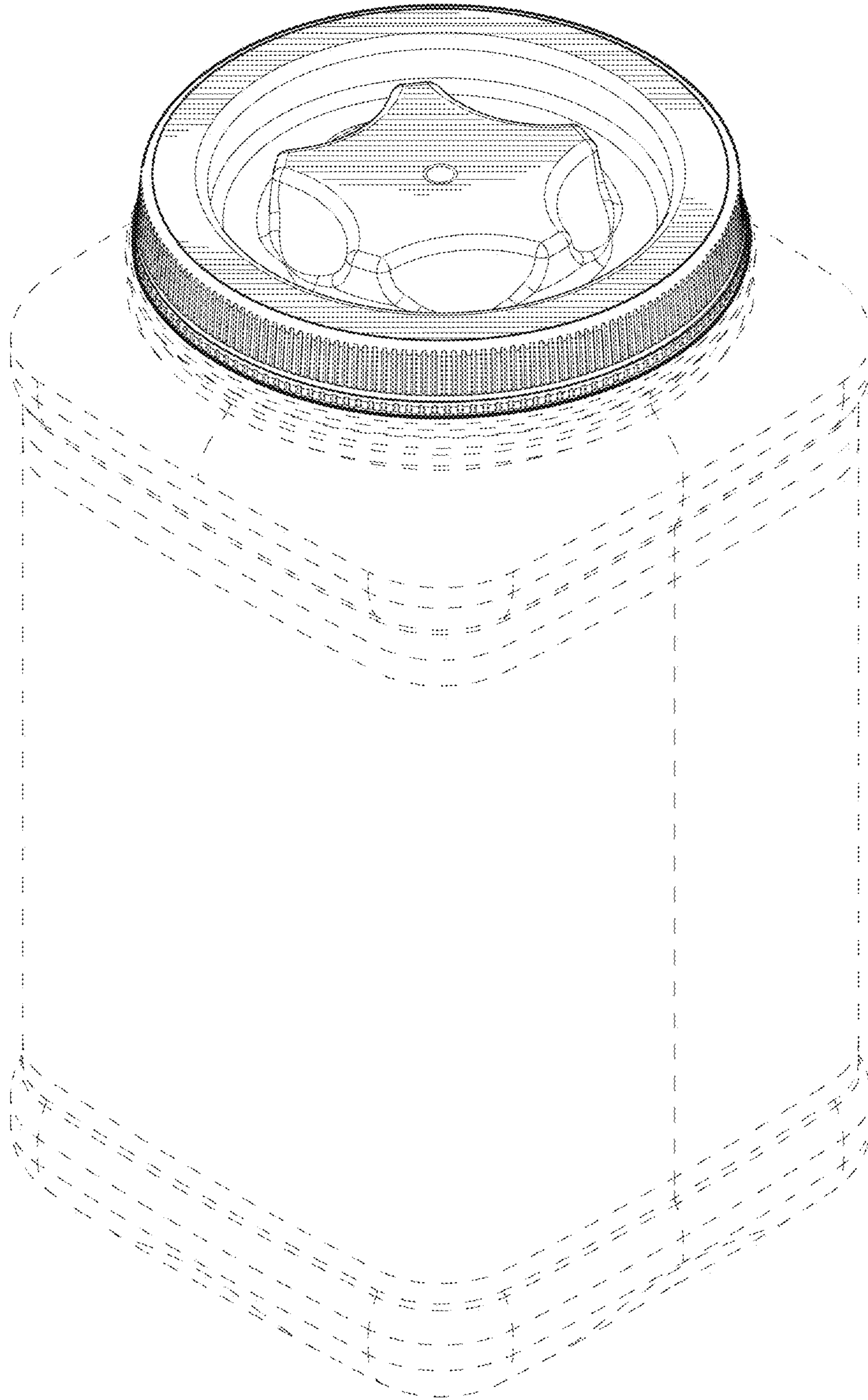


FIG. 8

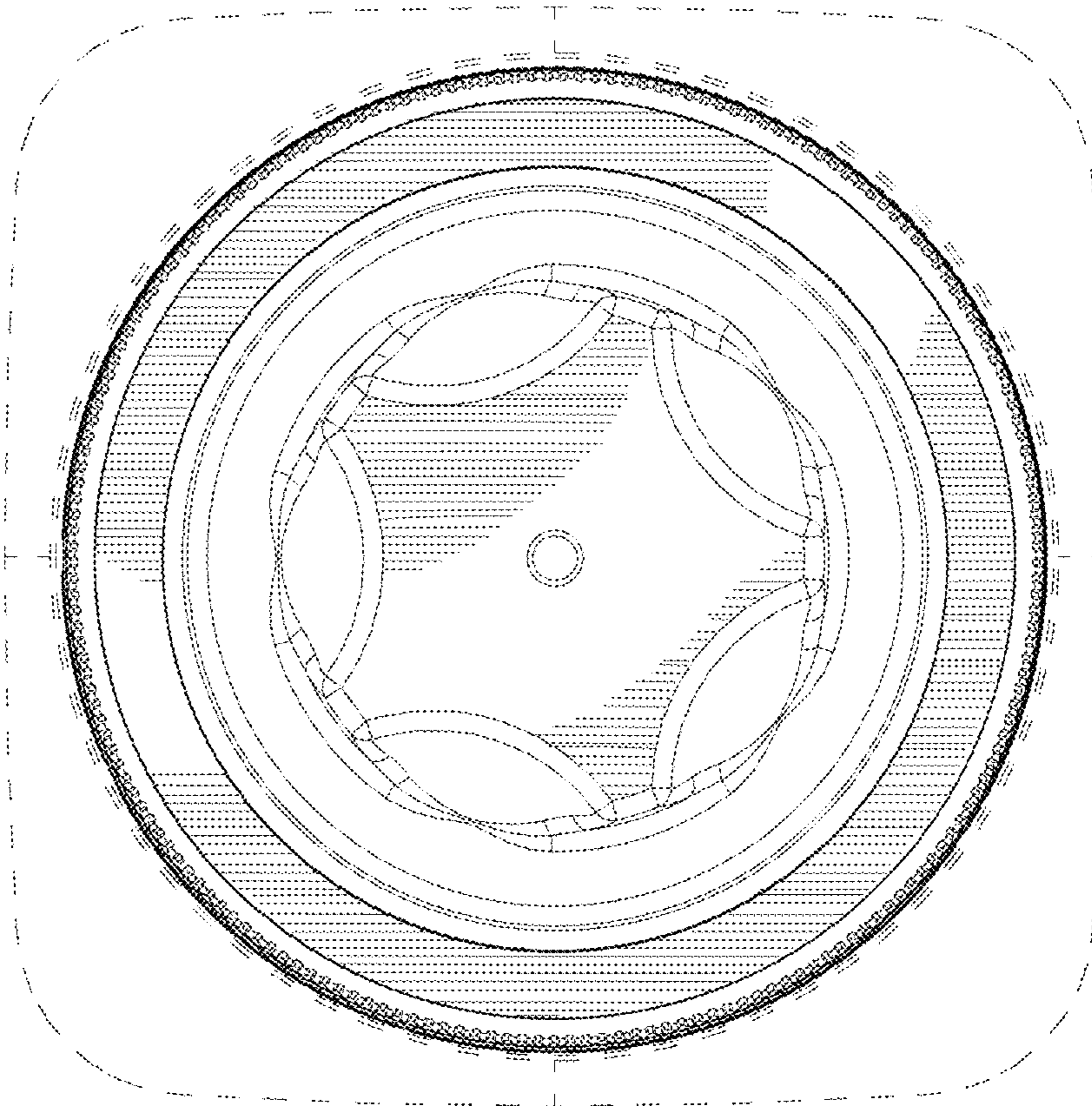


FIG. 9

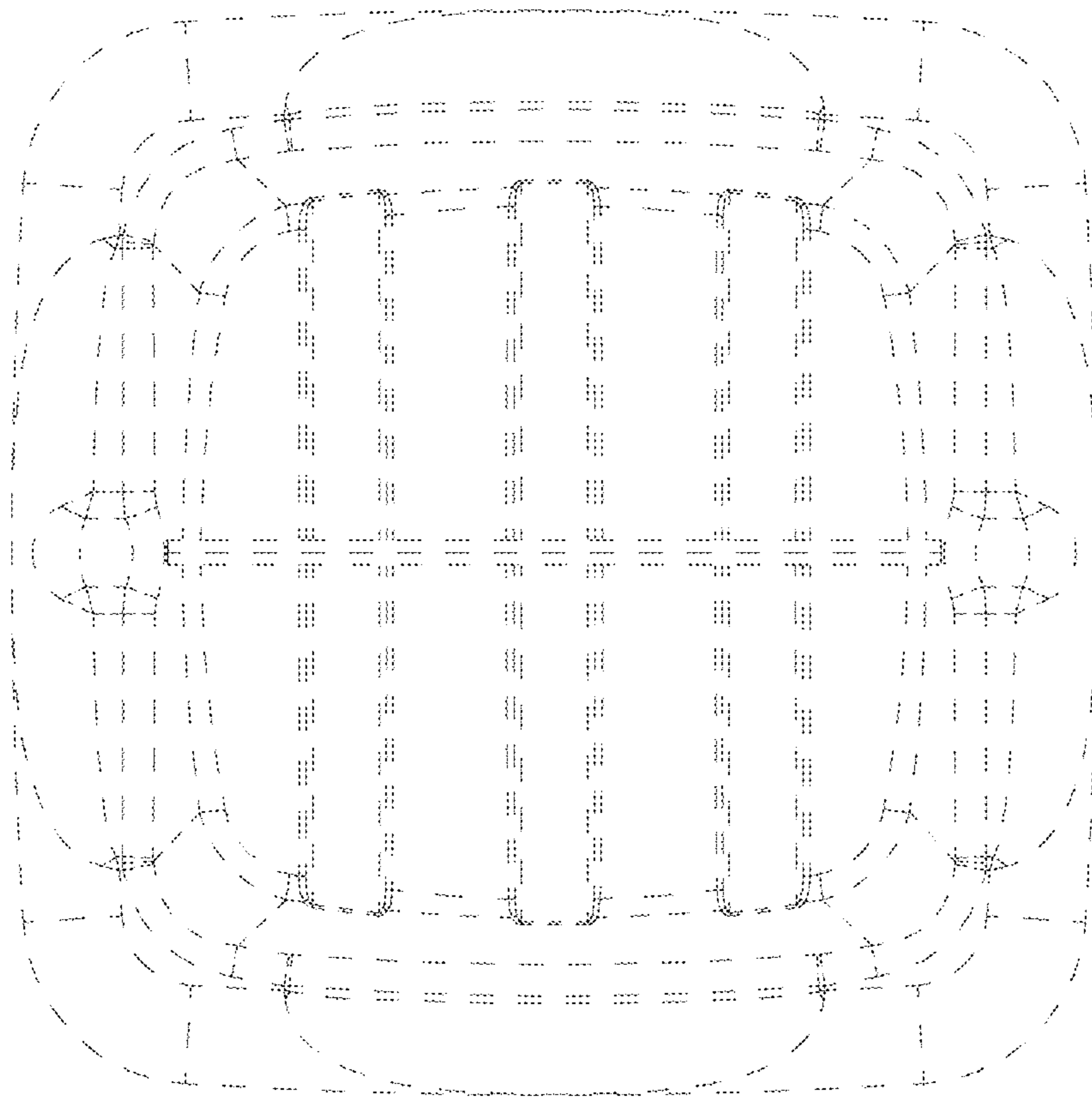


FIG. 10

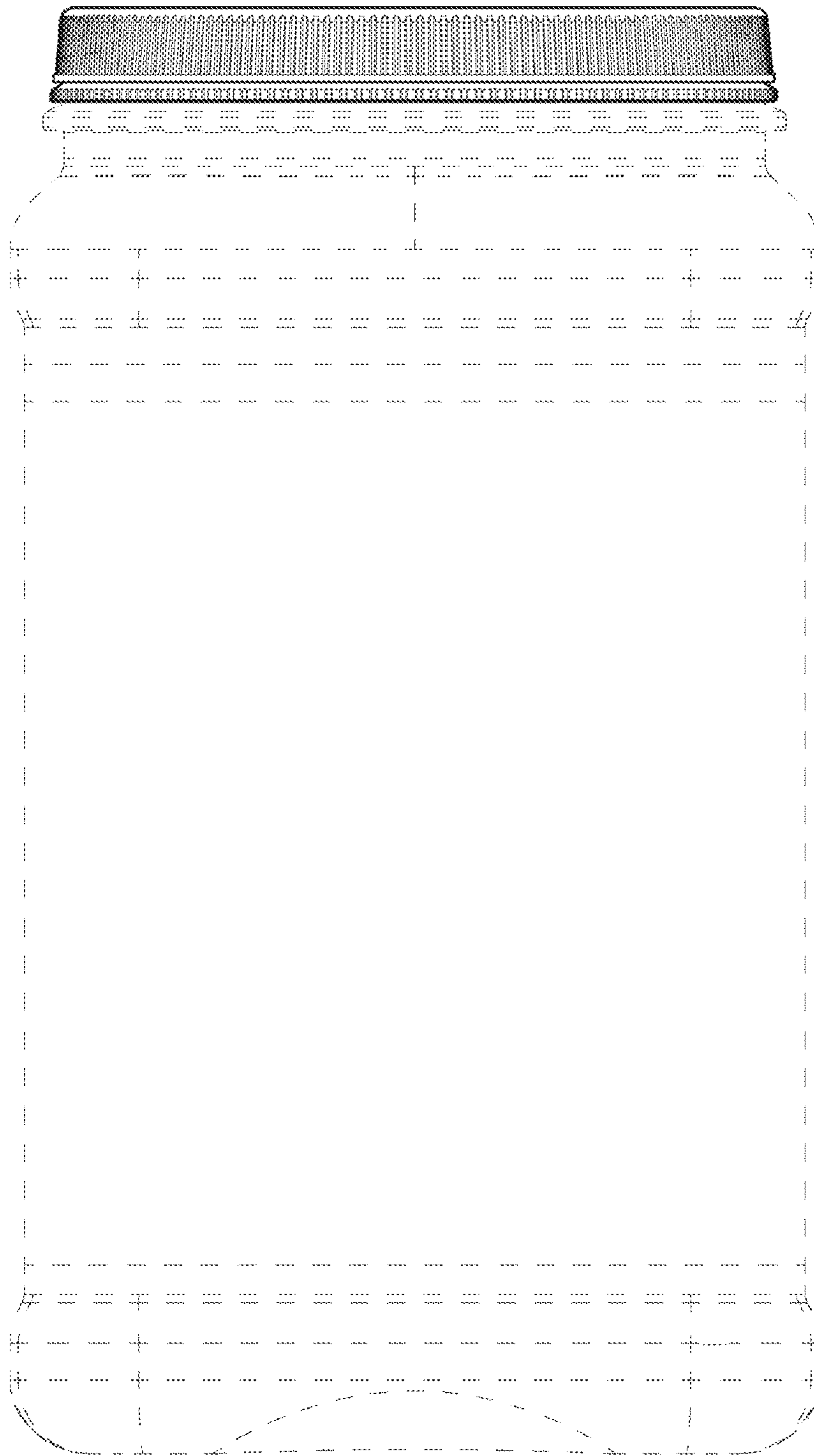


FIG. 11

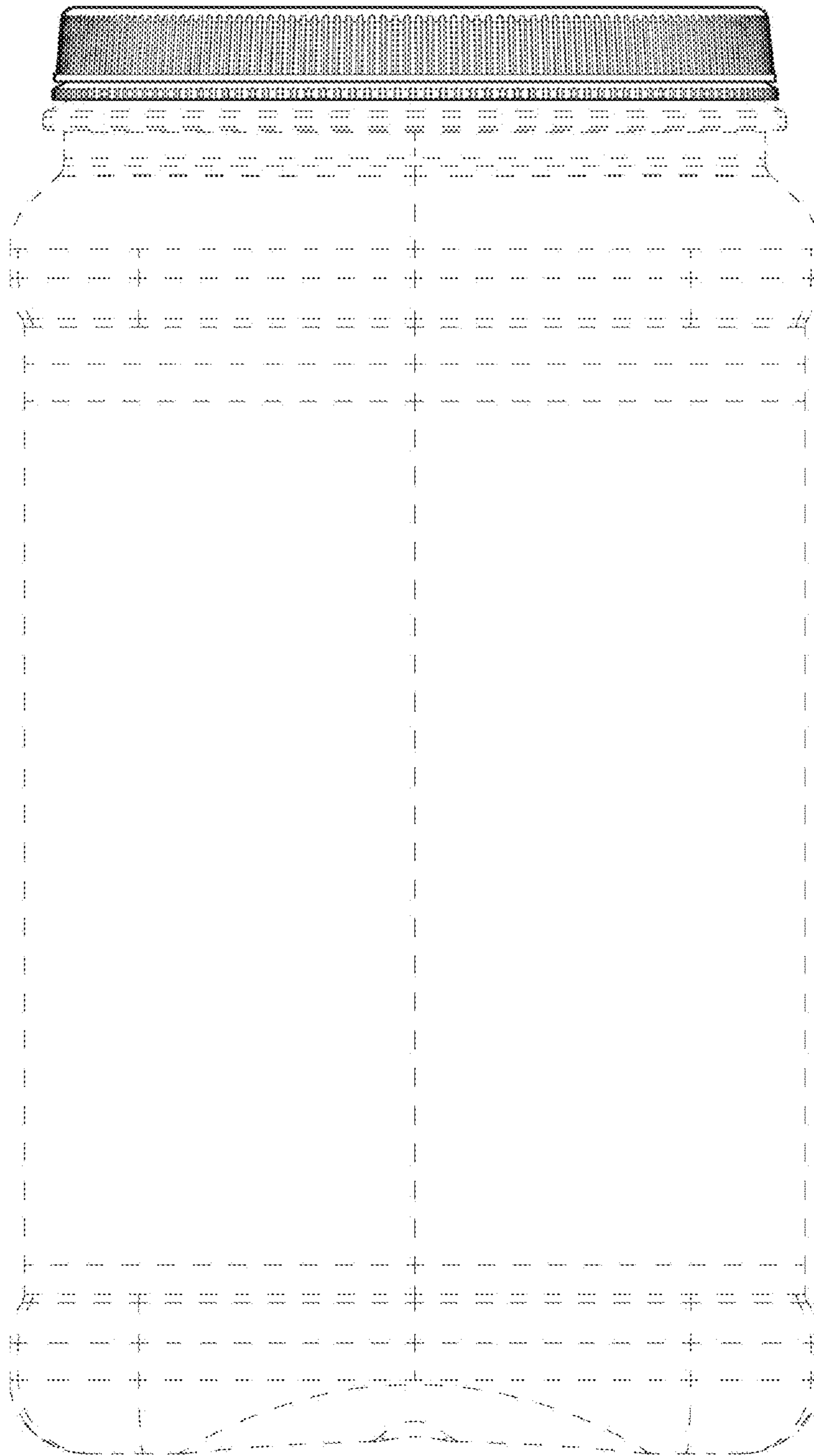


FIG. 12

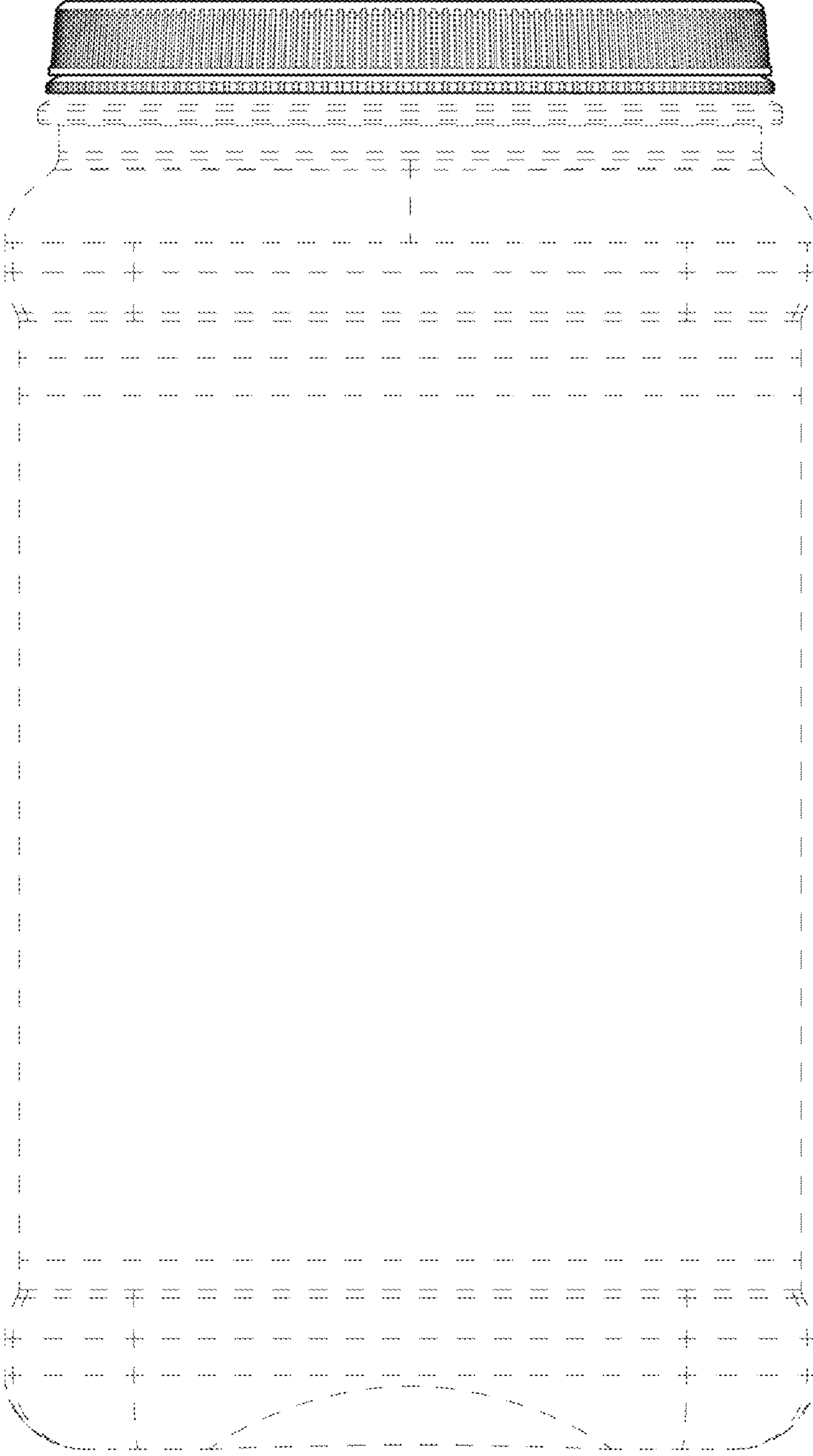


FIG. 13

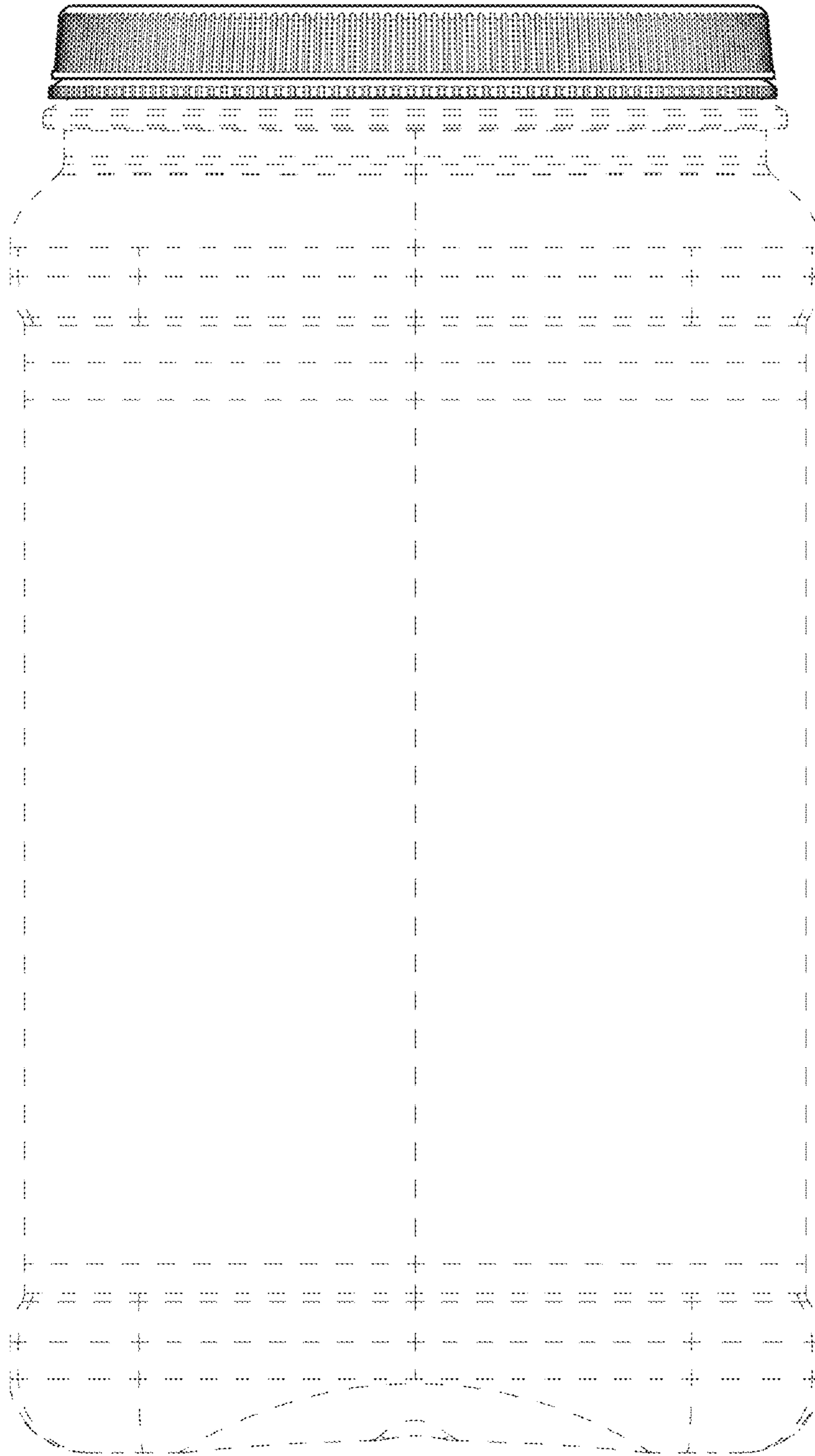


FIG. 14

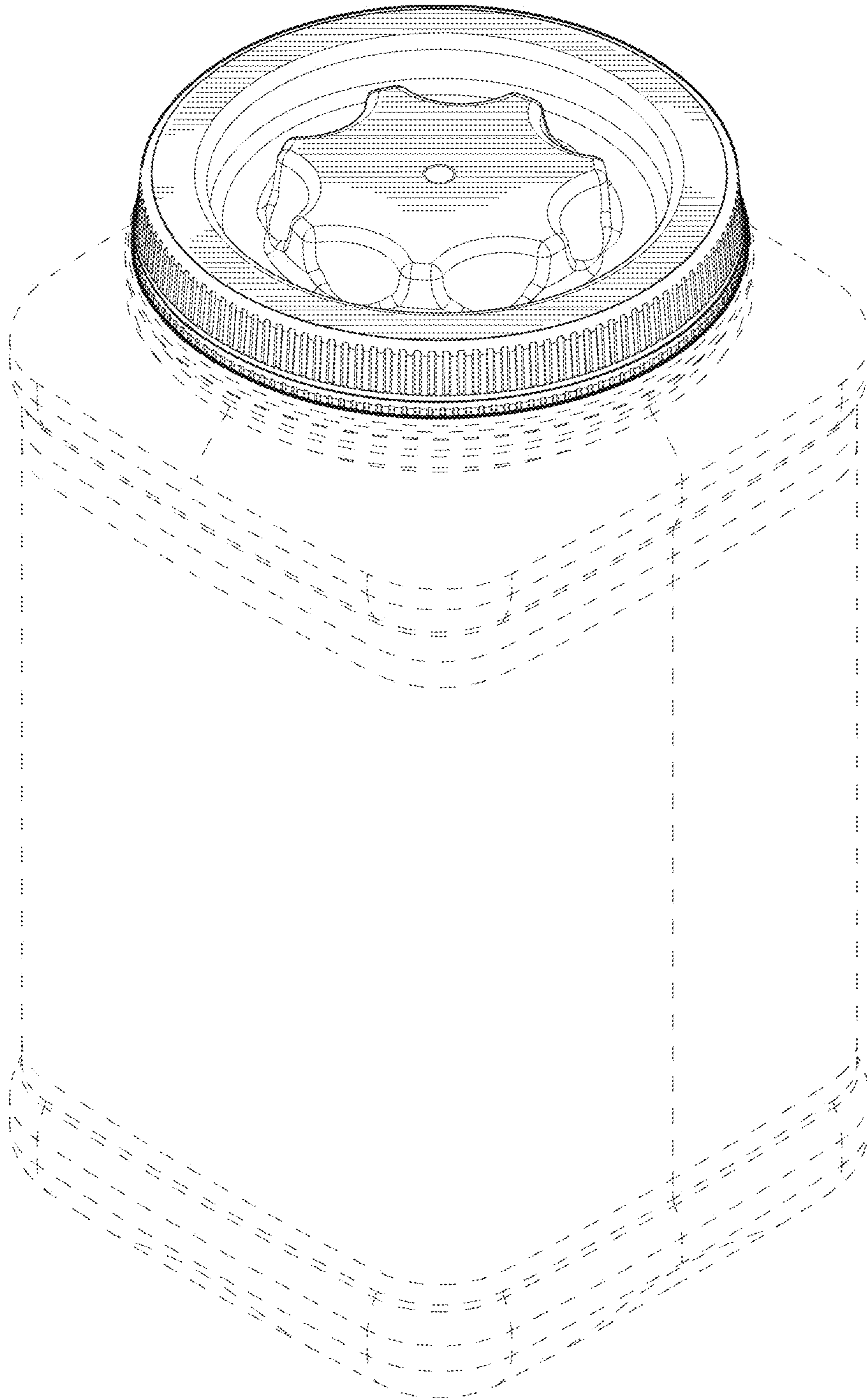


FIG. 15

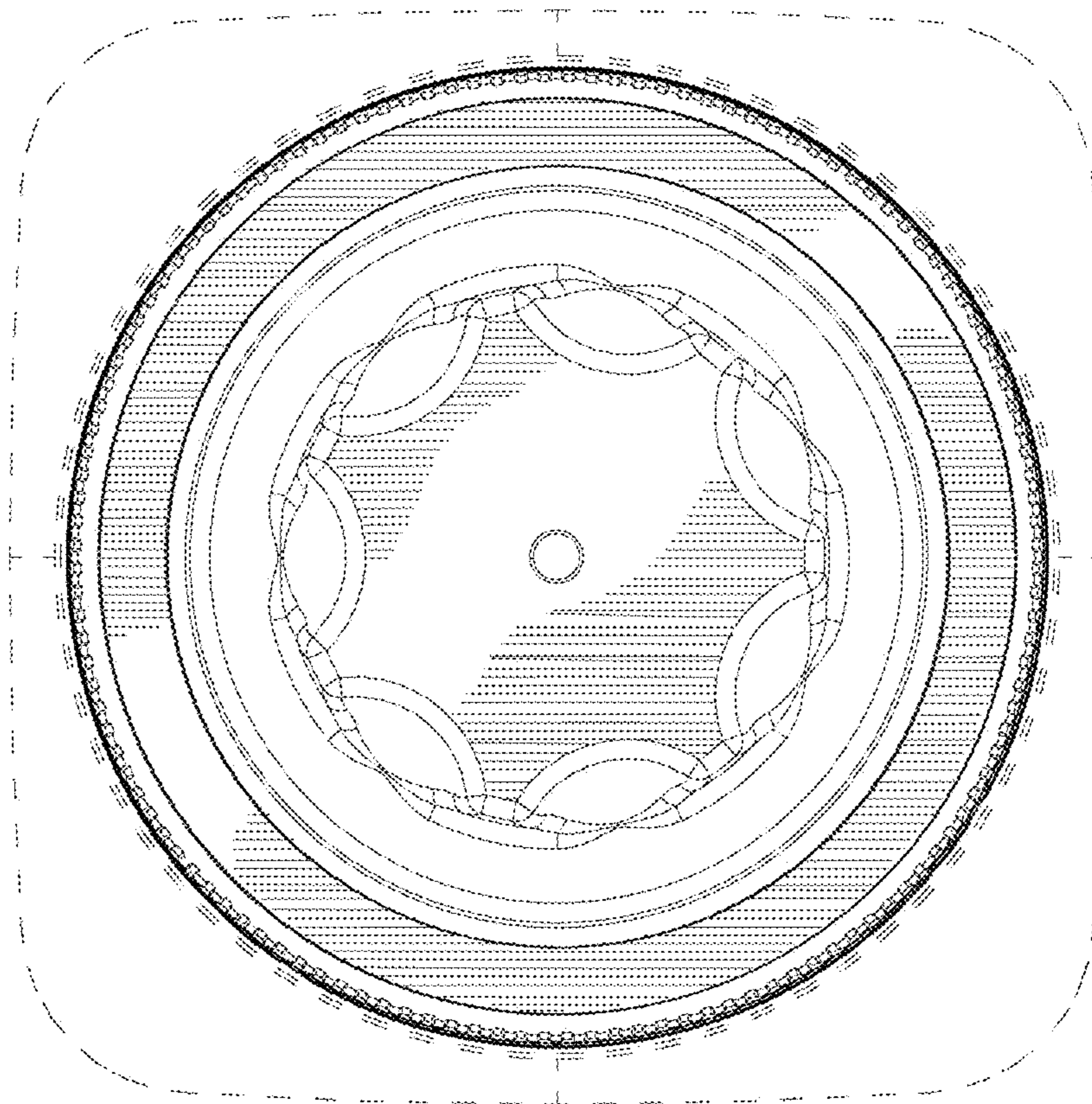


FIG. 16

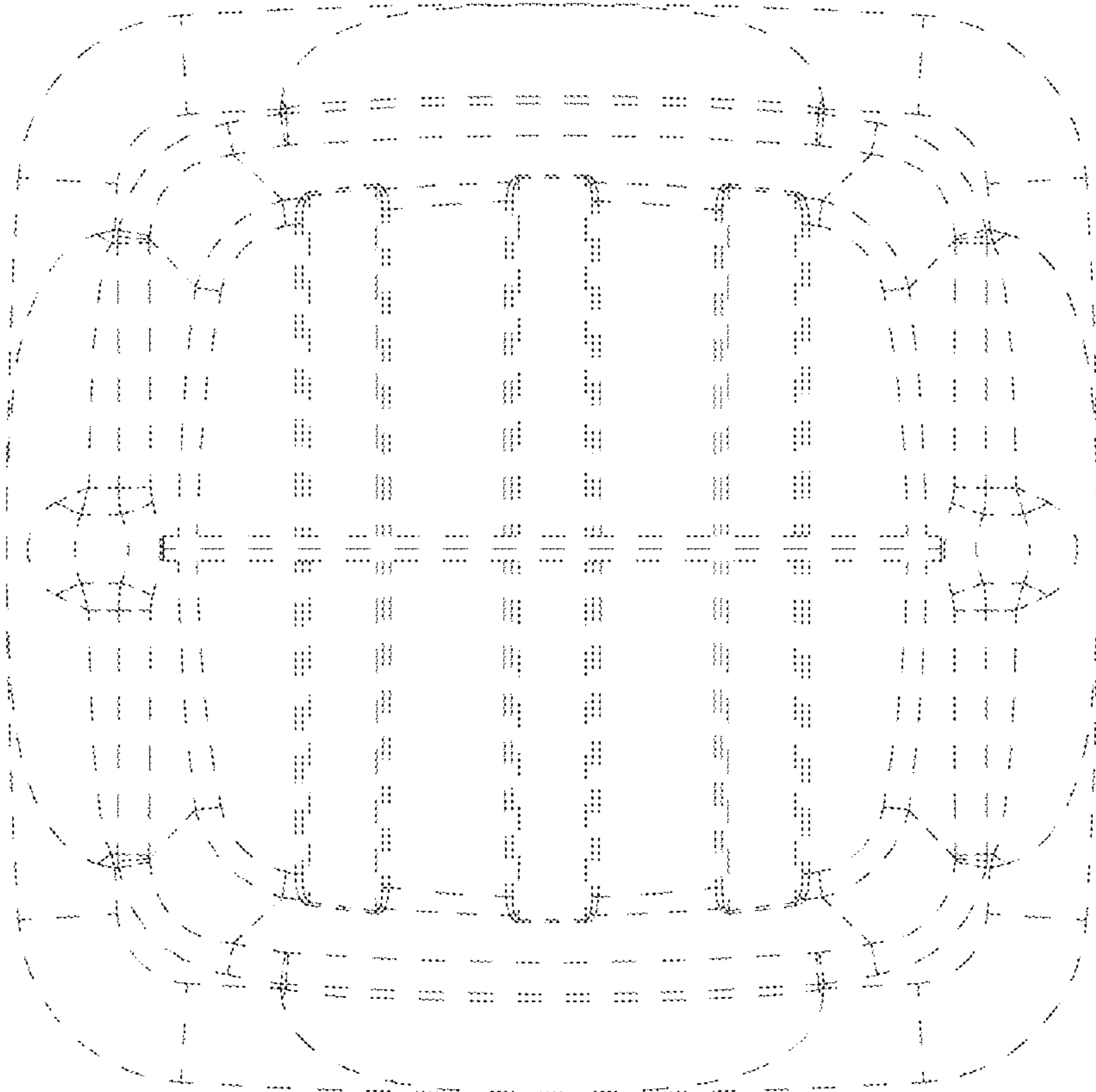


FIG. 17

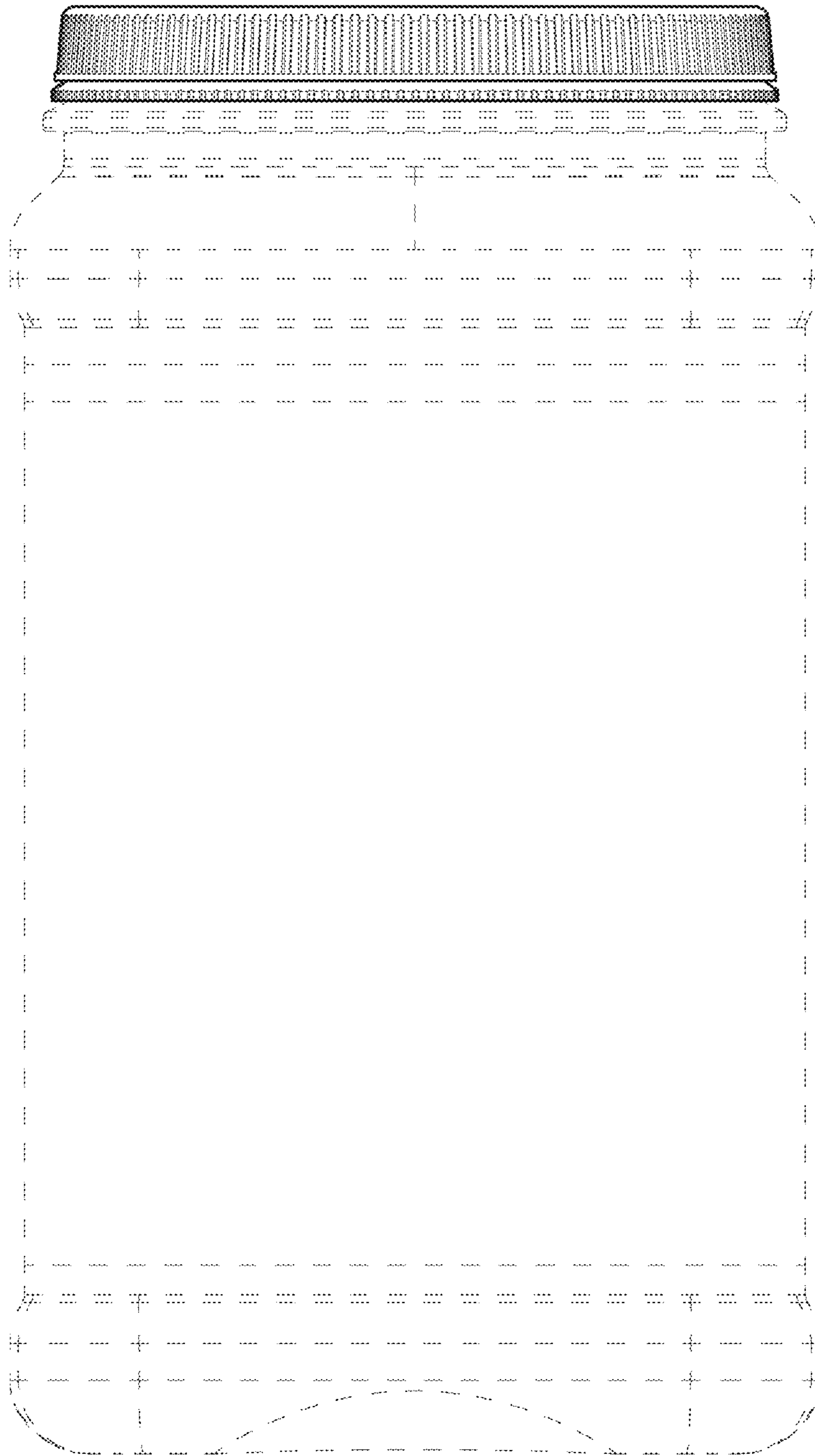


FIG. 18

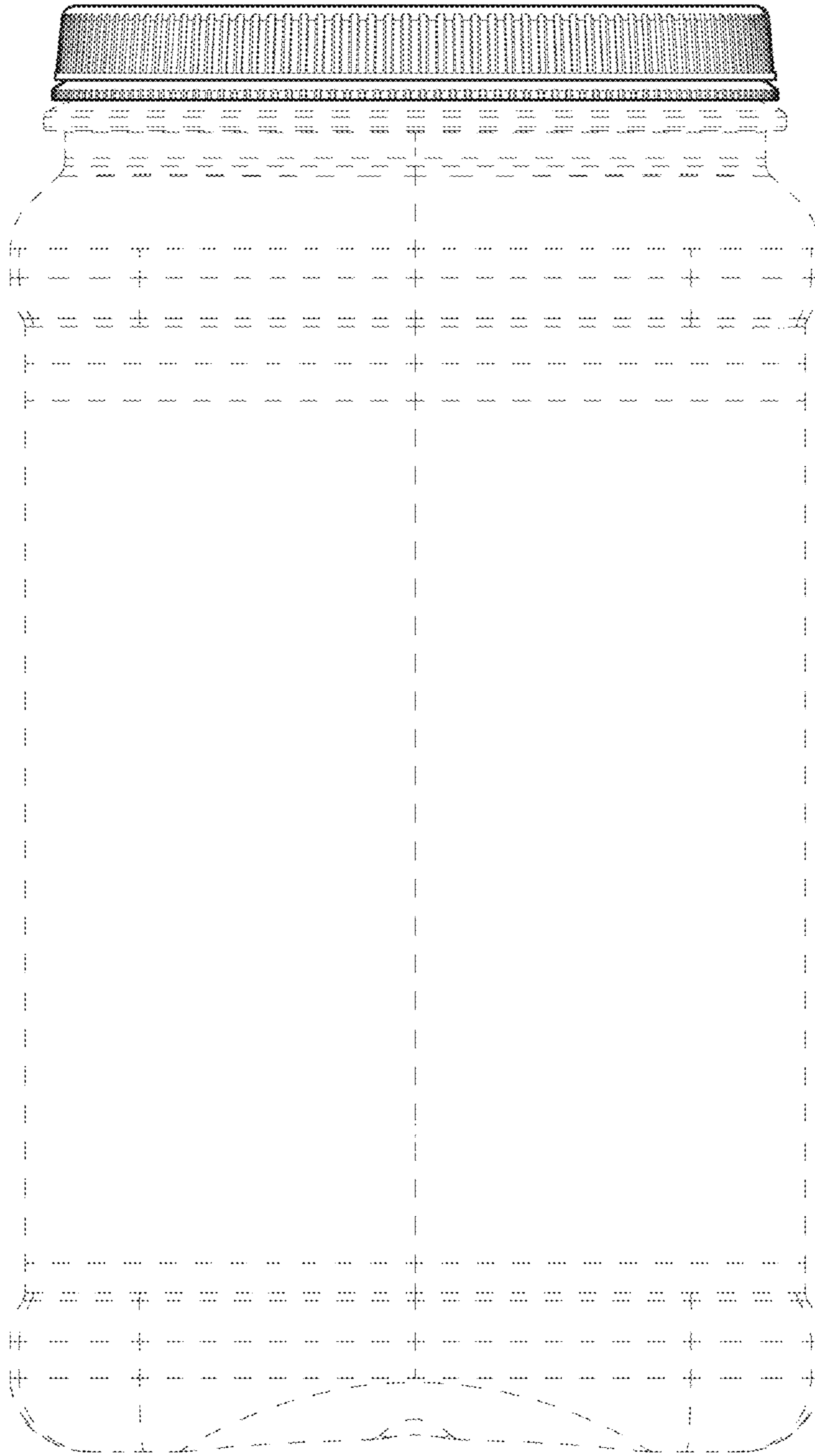


FIG. 19

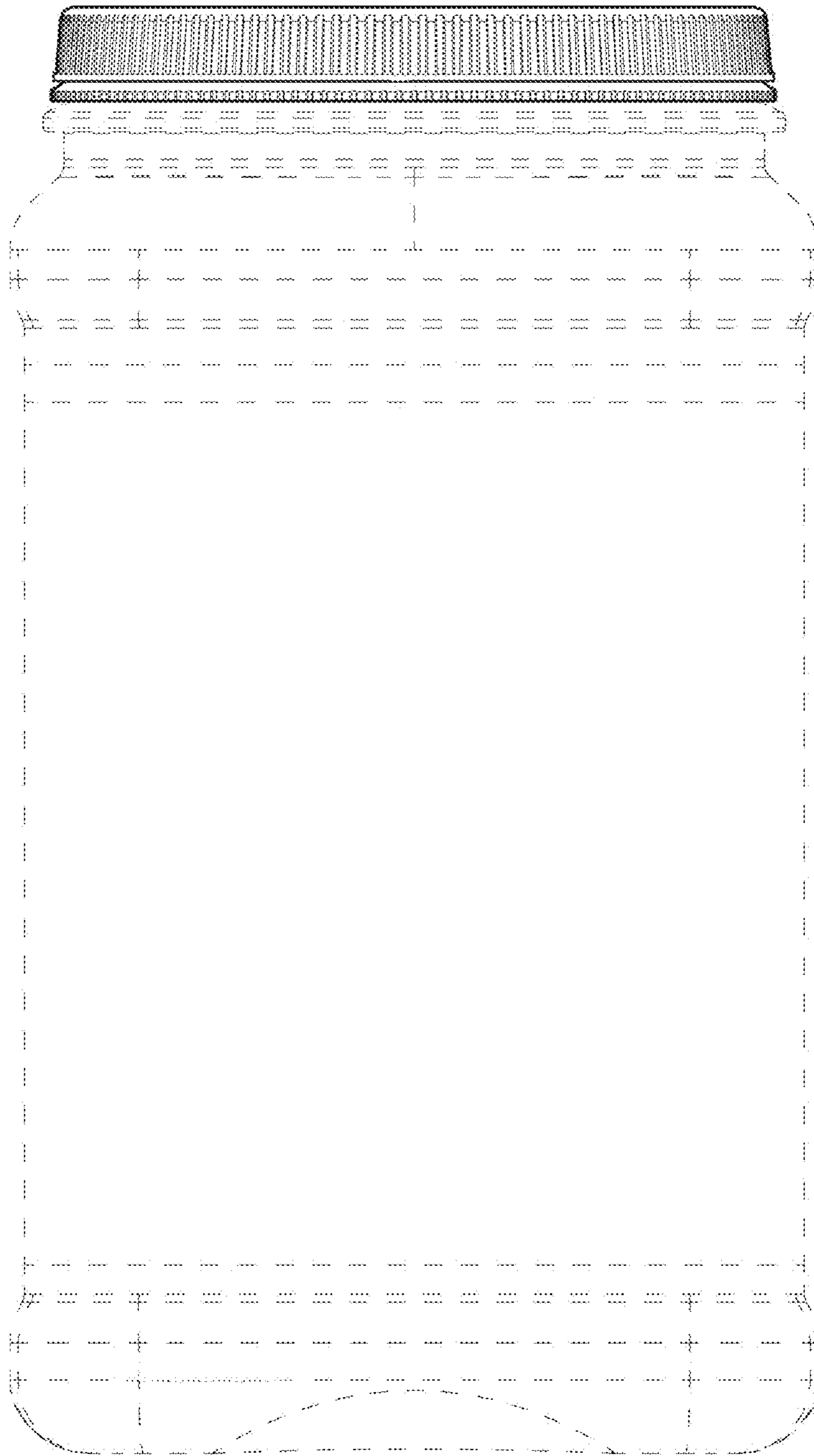


FIG. 20

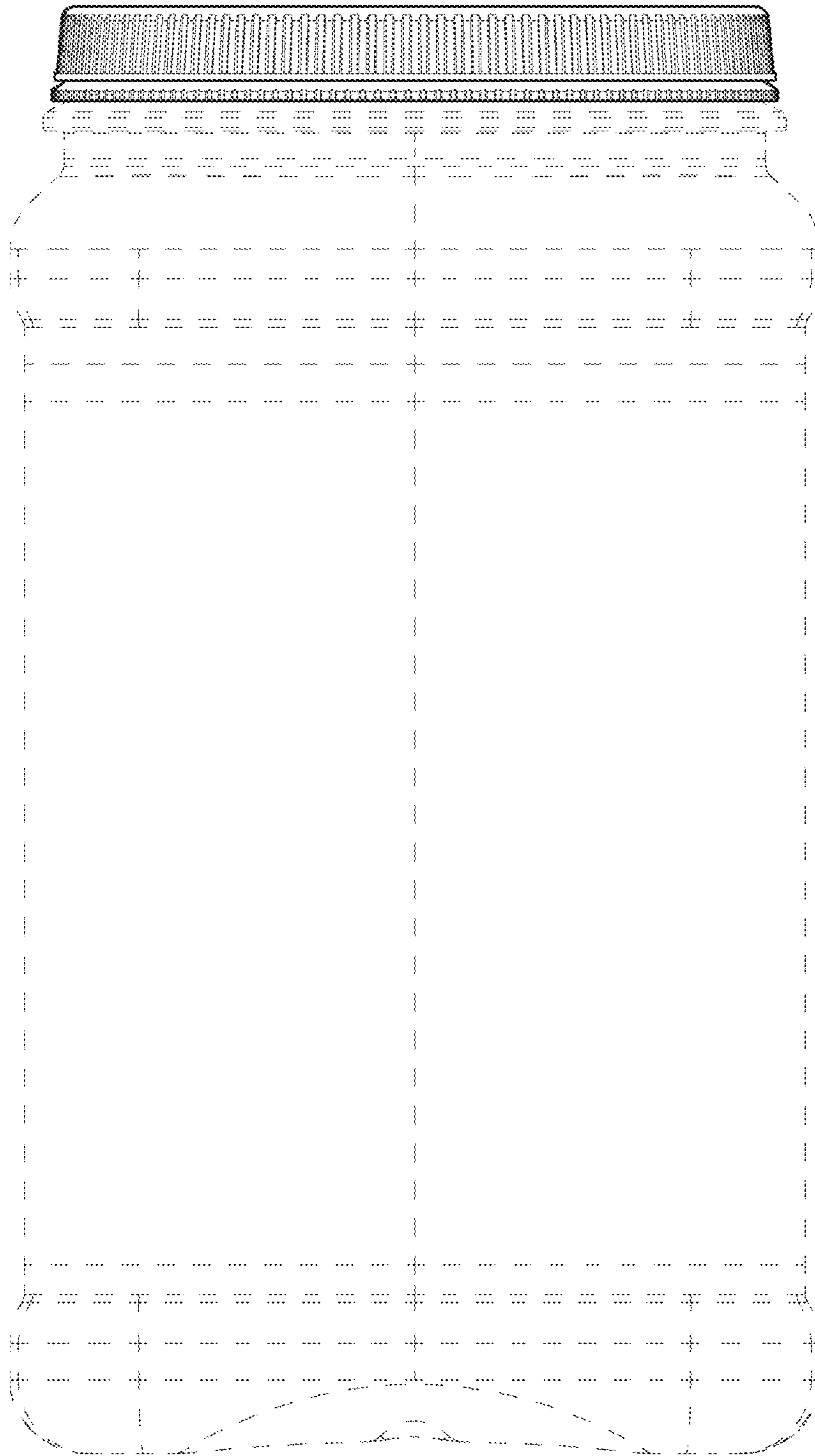


FIG. 21

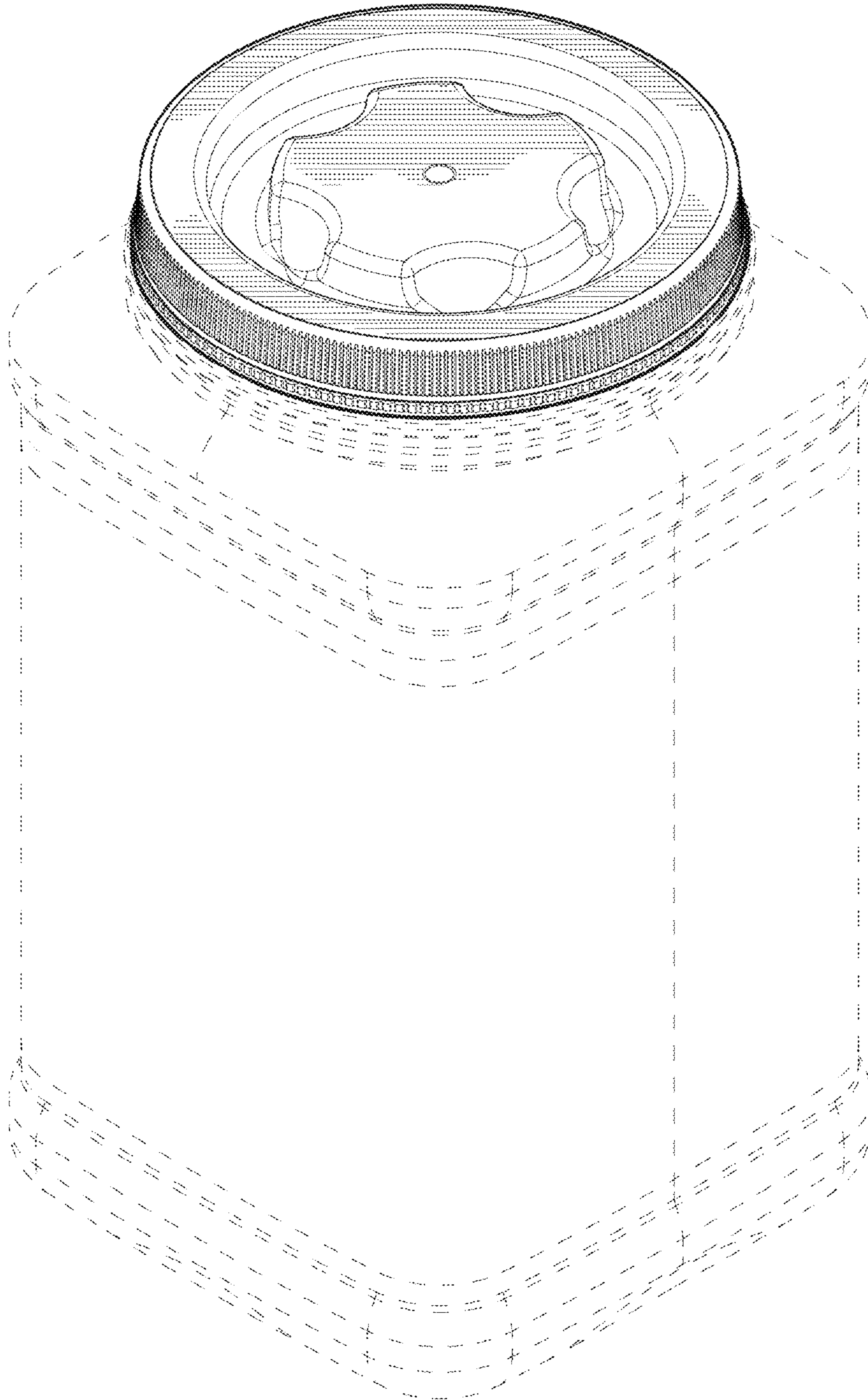


FIG. 22

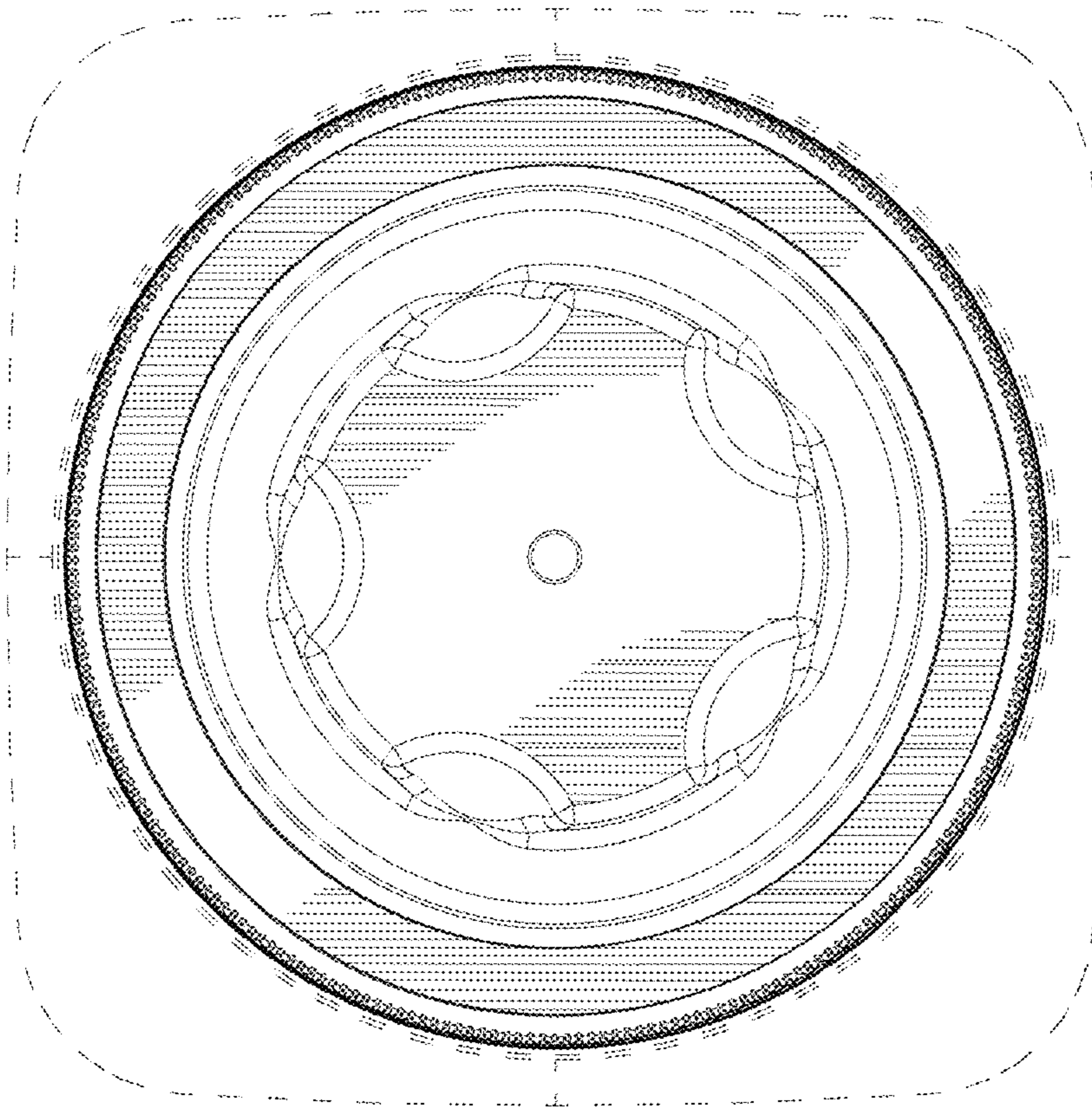


FIG. 23

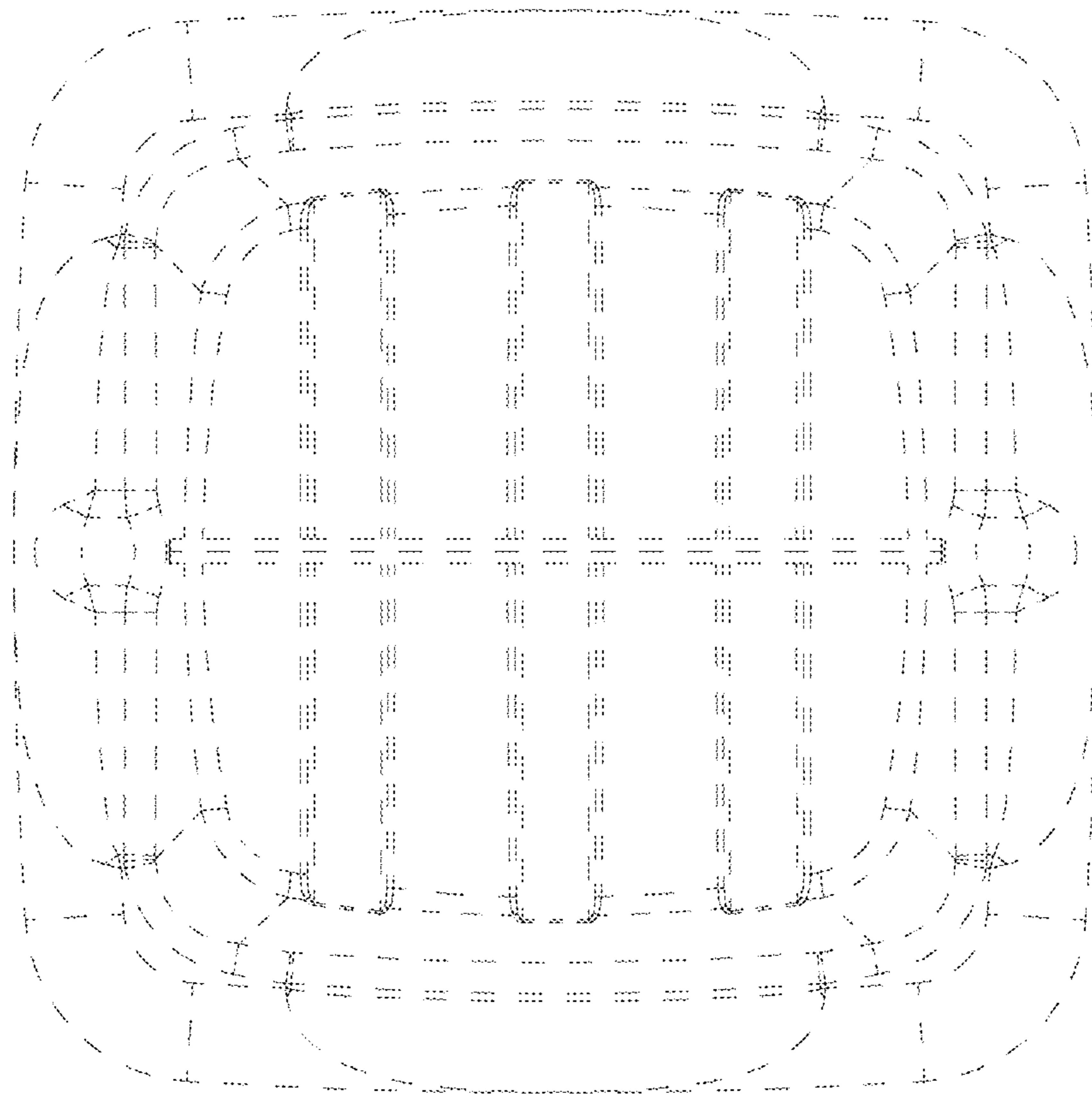


FIG. 24

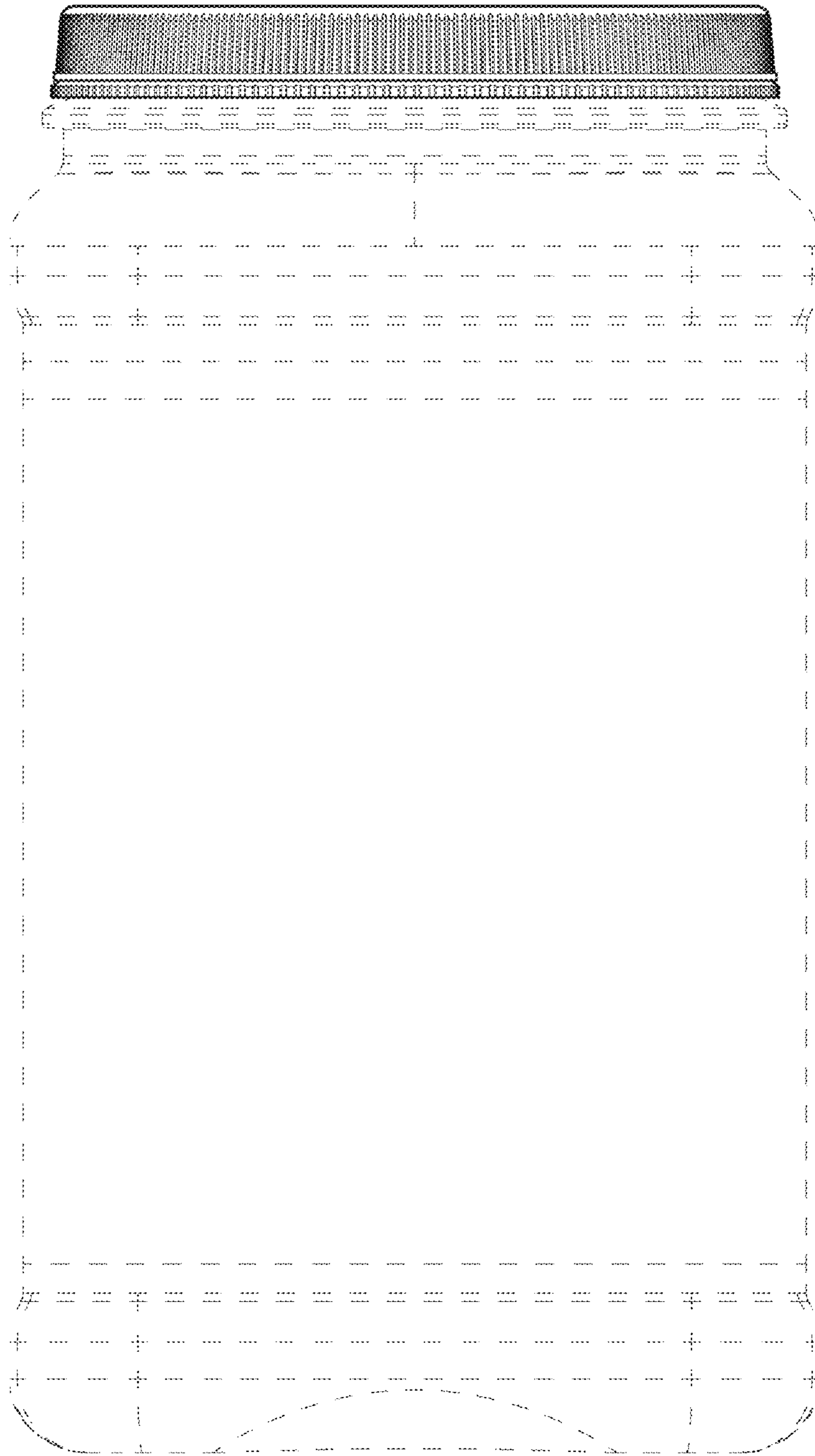


FIG. 25

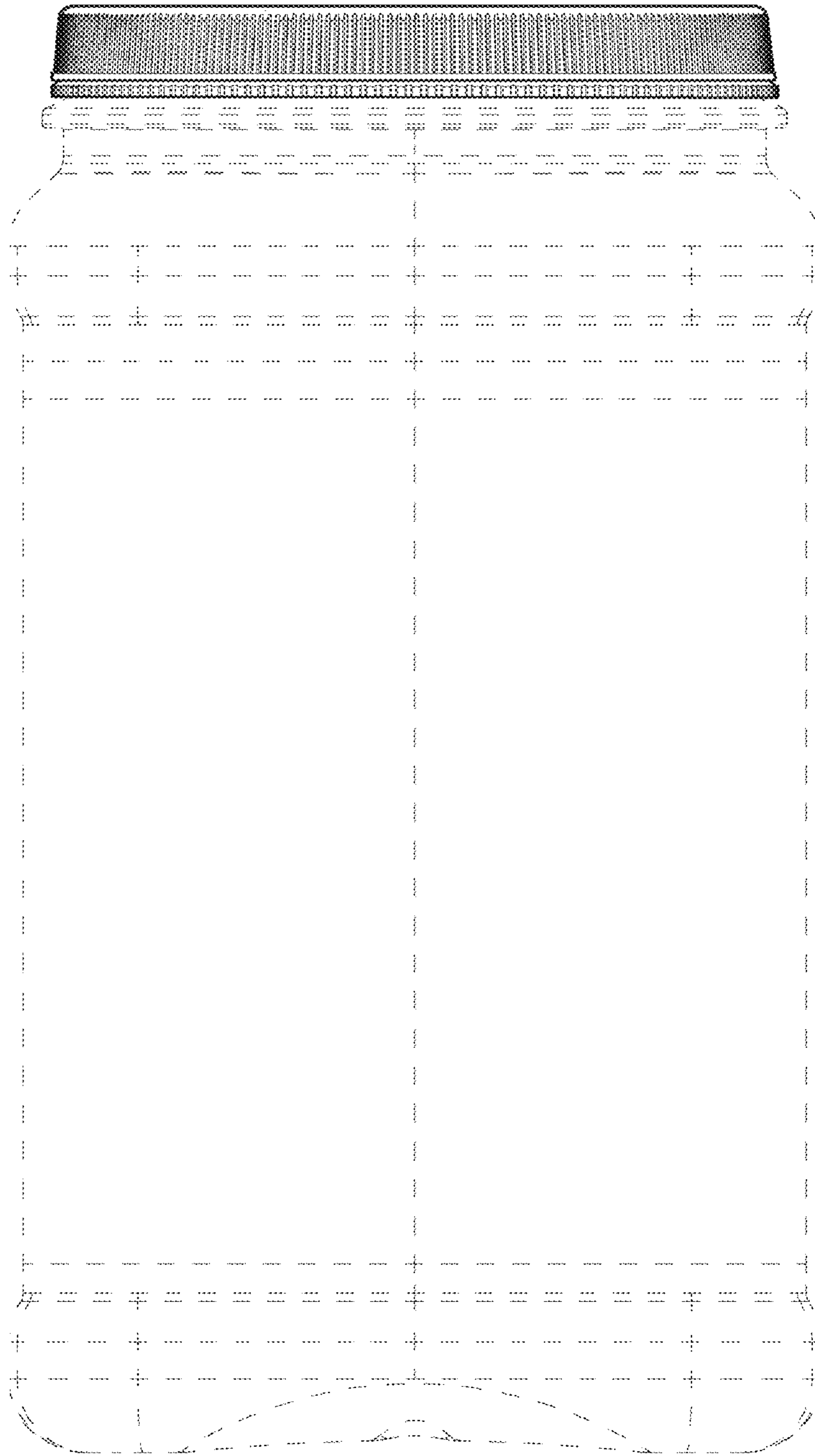


FIG. 26

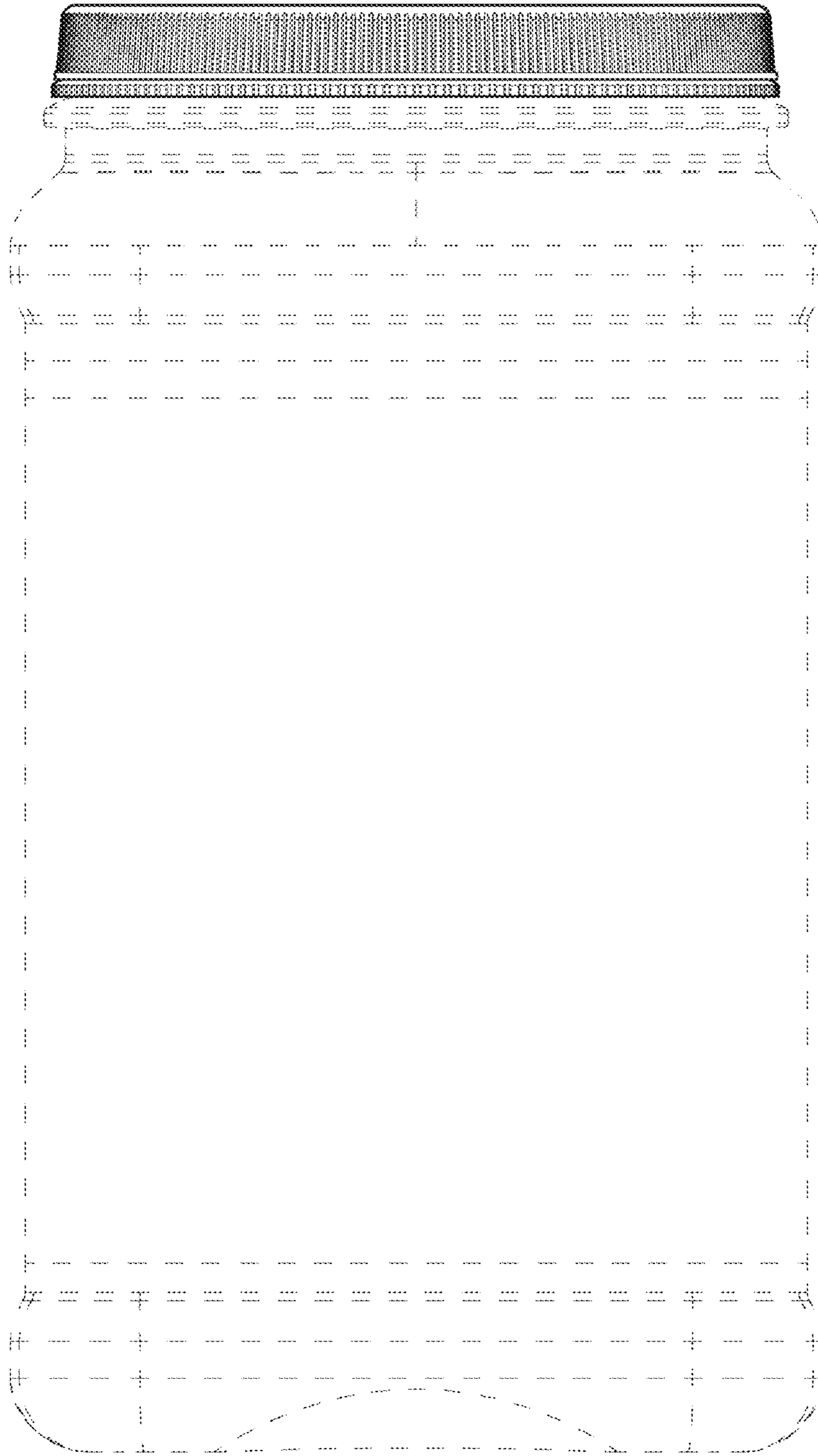


FIG. 27

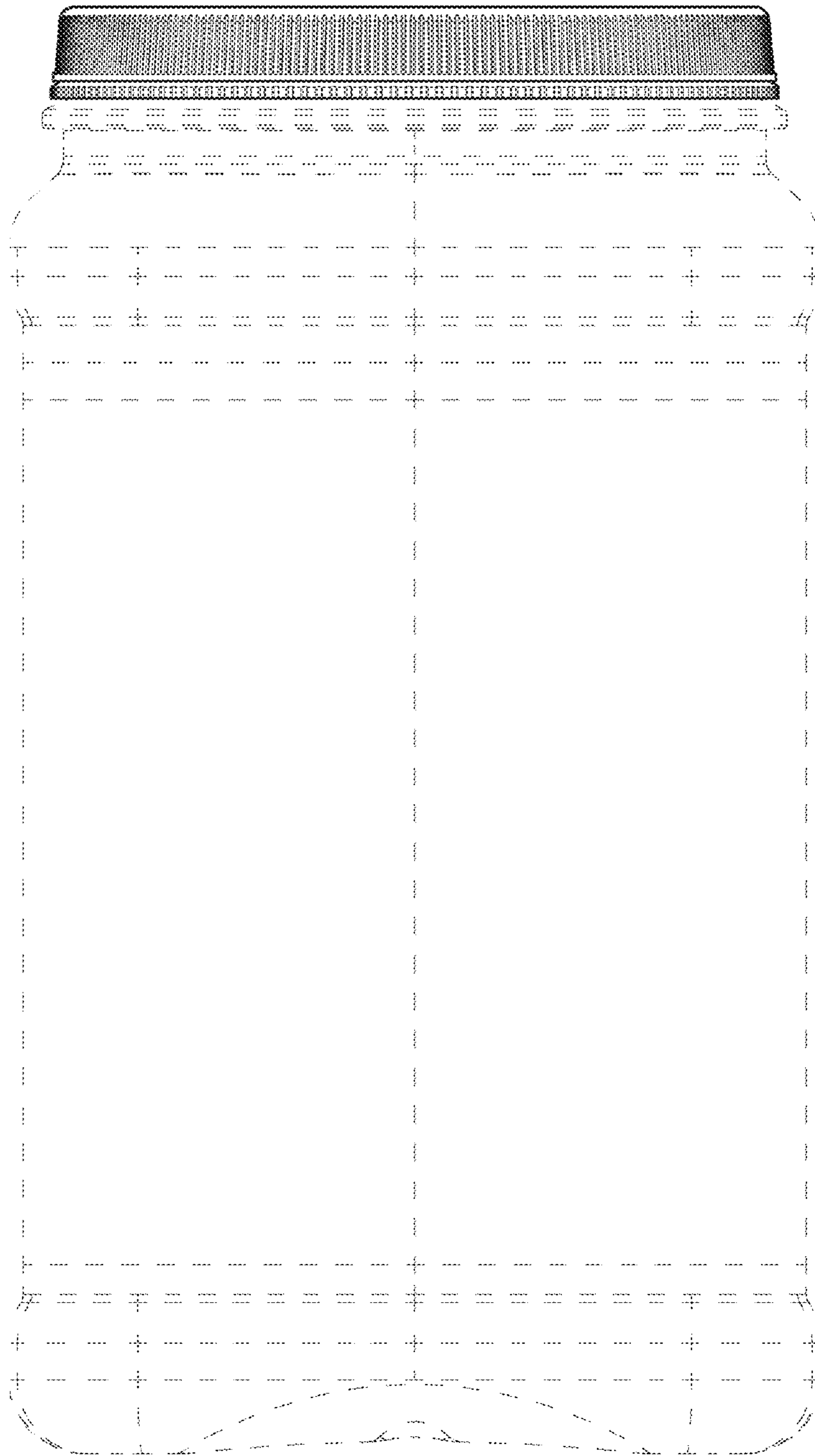


FIG. 28