



US00D875526S

(12) **United States Design Patent**
Bos et al.

(10) **Patent No.:** **US D875,526 S**
(45) **Date of Patent:** **** Feb. 18, 2020**

(54) **DISPENSING PUMP HEAD**
(71) Applicant: **Reckitt Benckiser (Brands) Limited**,
Slough, Berkshire (GB)
(72) Inventors: **Randy Franciscus Jozef Bos**,
Eindhoven (NL); **Arnoldus Johannus**
Claassen, Eindhoven (NL)
(73) Assignee: **RECKITT BENCKISER (BRANDS)**
LIMITED, Slough, Berkshire (GB)

D400,102 S * 10/1998 Tada D9/448
D409,918 S * 5/1999 Wadsworth D9/448
D418,755 S 1/2000 Durliat
D449,988 S * 11/2001 Keung D9/448
D456,262 S * 4/2002 Cummings D9/448
D494,866 S * 8/2004 Guala D23/225
D519,371 S * 4/2006 Hornsby D9/448
D521,864 S * 5/2006 Cartoni D9/448
D568,153 S * 5/2008 Harrison D9/448
D579,329 S 10/2008 Sweeton et al.
D582,768 S 12/2008 Cantoni et al.
D582,769 S 12/2008 Turchi
D582,770 S * 12/2008 Turchi D9/448

(**) Term: **15 Years**

(21) Appl. No.: **29/656,293**

(22) Filed: **Jul. 11, 2018**

Related U.S. Application Data

(62) Division of application No. 29/611,486, filed on Jul.
21, 2017.

(30) **Foreign Application Priority Data**

Jan. 31, 2017 (EP) 003733708-0001
Jan. 31, 2017 (EP) 003733708-0002
Jan. 31, 2017 (EP) 003733708-0003

(51) **LOC (12) Cl.** **09-07**

(52) **U.S. Cl.**
USPC **D9/448**

(58) **Field of Classification Search**
USPC D9/434-436, 438, 440, 443, 447-449,
D9/454, 499, 690
CPC B05B 11/3059; B05B 11/3001; F04B 9/14;
F04B 23/023; F23D 11/24
See application file for complete search history.

(56) **References Cited**

U.S. PATENT DOCUMENTS

D343,577 S * 1/1994 Proctor D9/448
D355,361 S 2/1995 Steijns et al.

(Continued)

OTHER PUBLICATIONS

Morrisons.Dettol Power & Fresh Multi Purpose Cleaner Spray.
2018. <URL:https://groceries.morrisons.com/webshop/product/Dettol-
Power--Fresh-Multi-Purpose-Cleaner-Spray-Lemon--Lime/
310154011>. (Year: 2018).*

(Continued)

Primary Examiner — Darcey E Gottschalk
(74) *Attorney, Agent, or Firm* — Norris McLaughlin PA

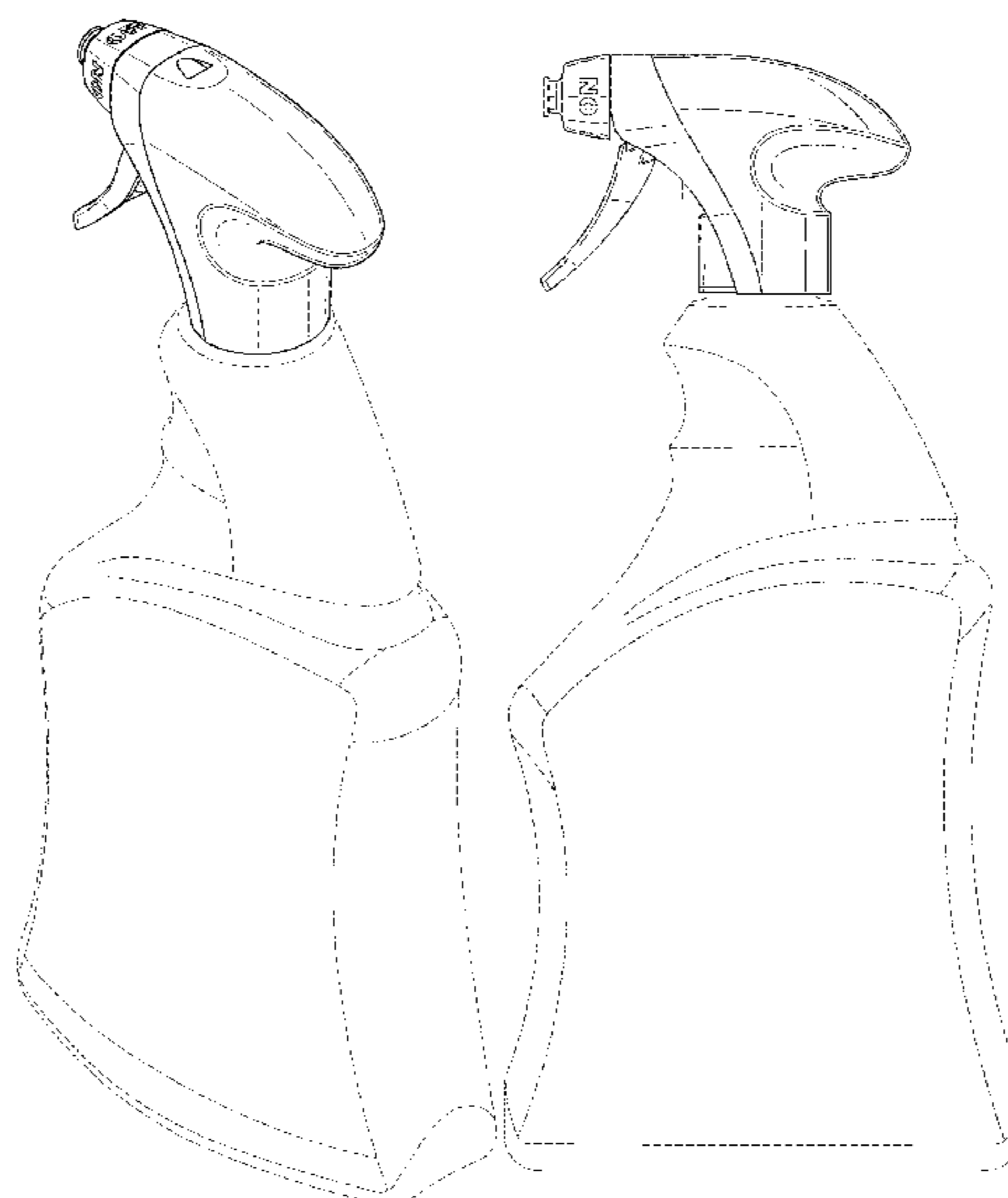
(57) **CLAIM**

The ornamental design for a dispensing pump head, as
shown and described.

DESCRIPTION

FIG. 1 is a front and side perspective view thereof;
FIG. 2 is a left side elevational view thereof;
FIG. 3 is a right side elevational view thereof;
FIG. 4 is a front side elevational view thereof;
FIG. 5 is a rear side elevational view thereof;
FIG. 6 is a top plan view thereof; and,
FIG. 7 is a bottom plan view thereof.
The portions of the depicted design indicated in broken lines
form no part of the claimed design.

1 Claim, 5 Drawing Sheets



(56)

References Cited

U.S. PATENT DOCUMENTS

D587,574 S 3/2009 Cantoni et al.
D588,454 S 3/2009 Sweeton et al.
D596,938 S 7/2009 Broadbent
D601,897 S 10/2009 Contiero
D625,187 S 10/2010 McCay et al.
D649,458 S * 11/2011 Neumann D9/448
D650,279 S * 12/2011 Arminak D9/448
D664,431 S 7/2012 Wang
D685,268 S 7/2013 Gill et al.
D700,051 S 2/2014 Driskell
D702,123 S * 4/2014 Sweeton D9/448
D778,159 S * 2/2017 Conway D9/448
D832,705 S * 11/2018 Bos D9/448
2005/0133627 A1 6/2005 Hornsby et al.

OTHER PUBLICATIONS

Alamy Ltd., "Spray Bottle of Dettol Anti Bacterial Cleaner Isolated Against A White Background", Feb. 18, 2010 [earliest online date], [site visited May 24, 2018]. Available from Internet, <URL:https://bit.ly/2s616z3>, in parent U.S. Appl. No. 29/611,486.

* cited by examiner

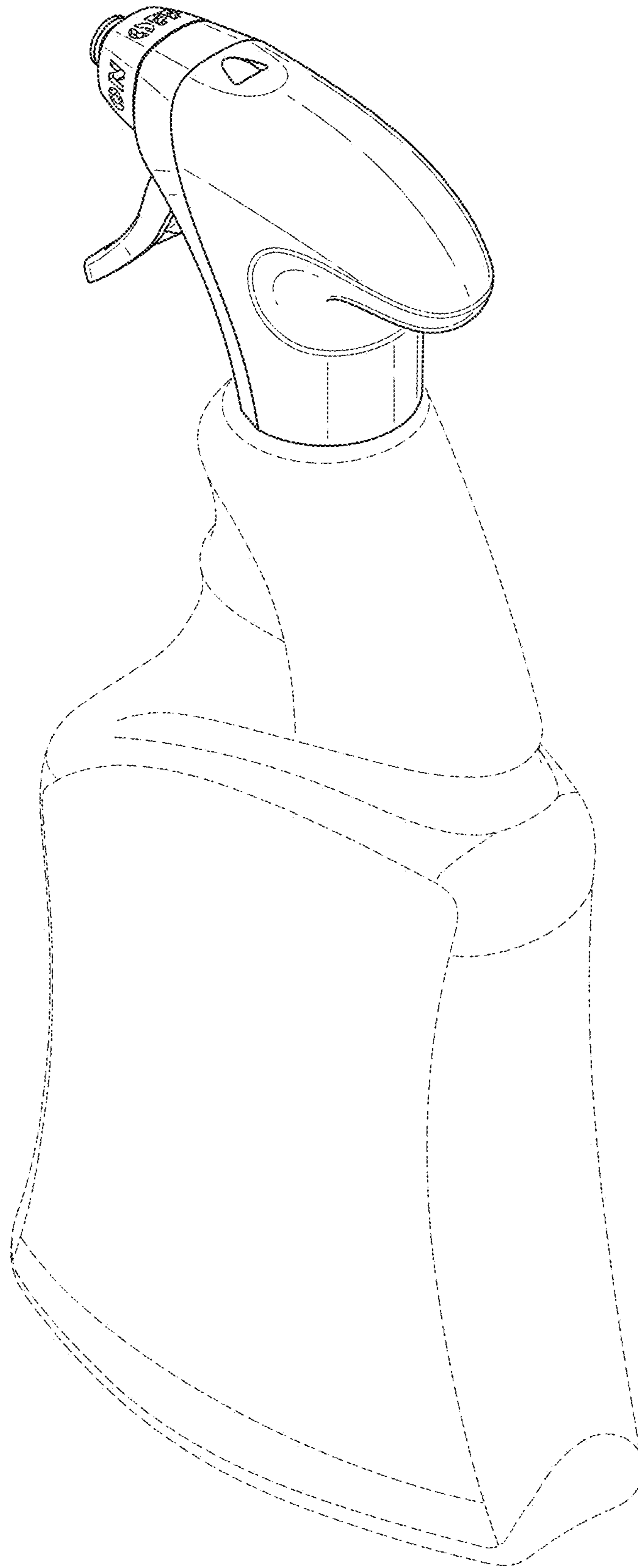


Fig. 1

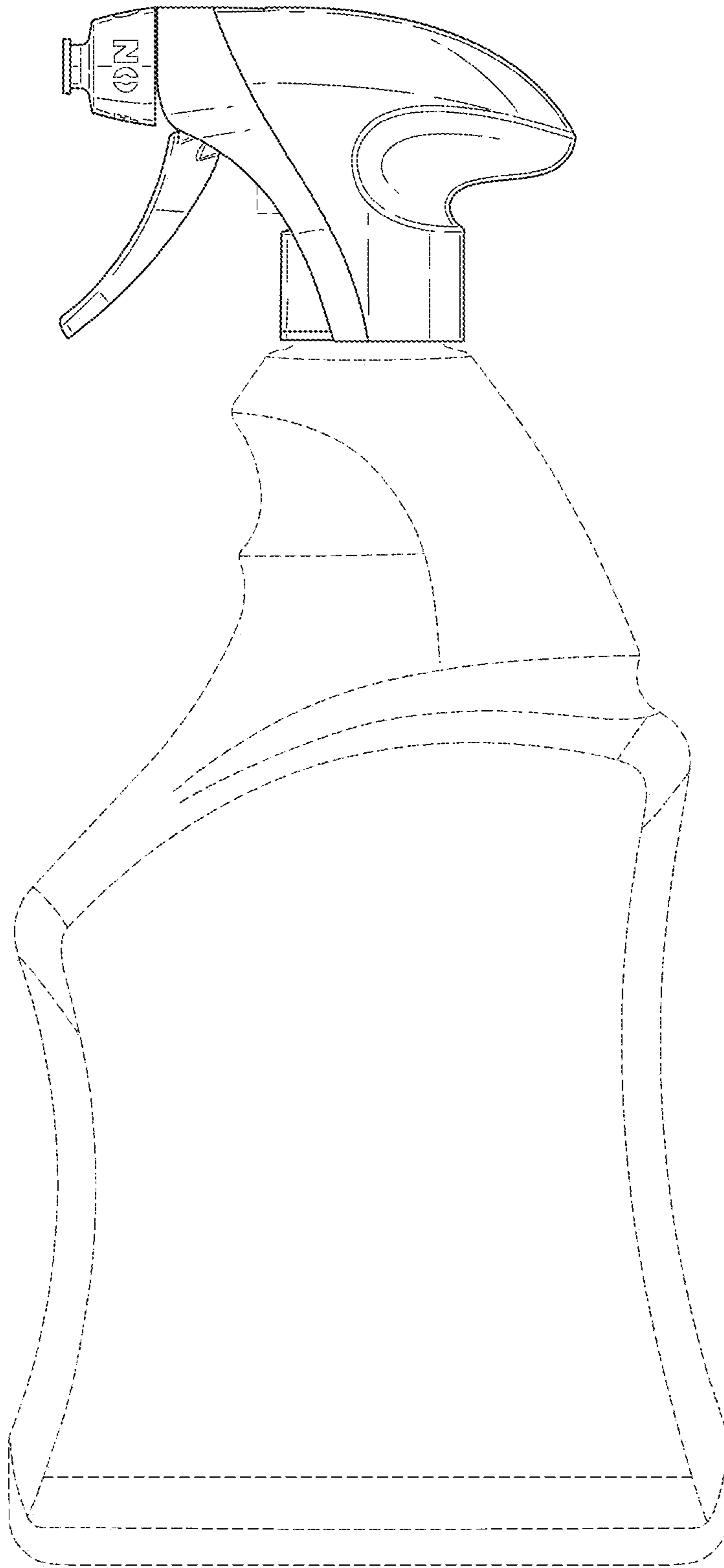


Fig. 2

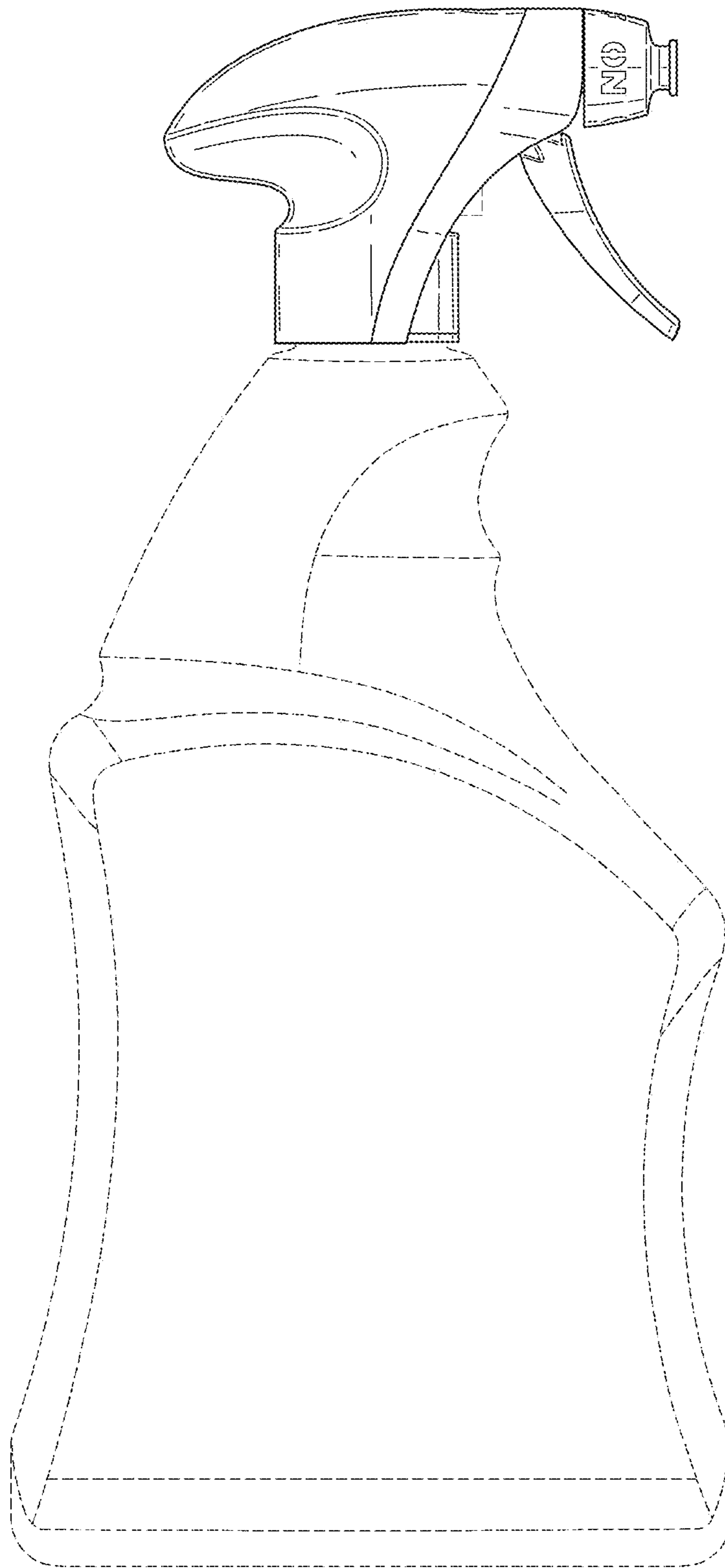


Fig. 3

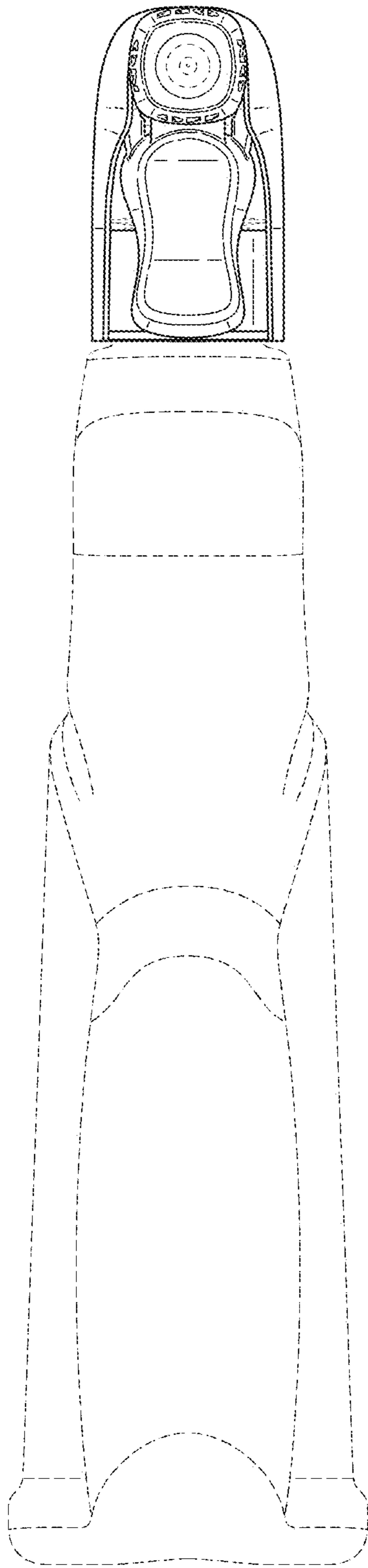


Fig. 4

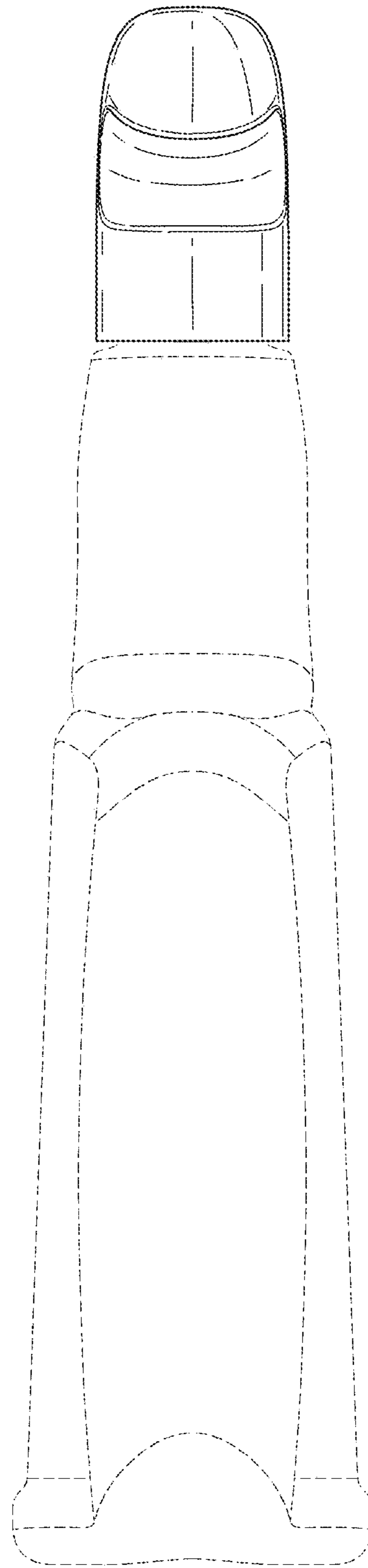


Fig. 5

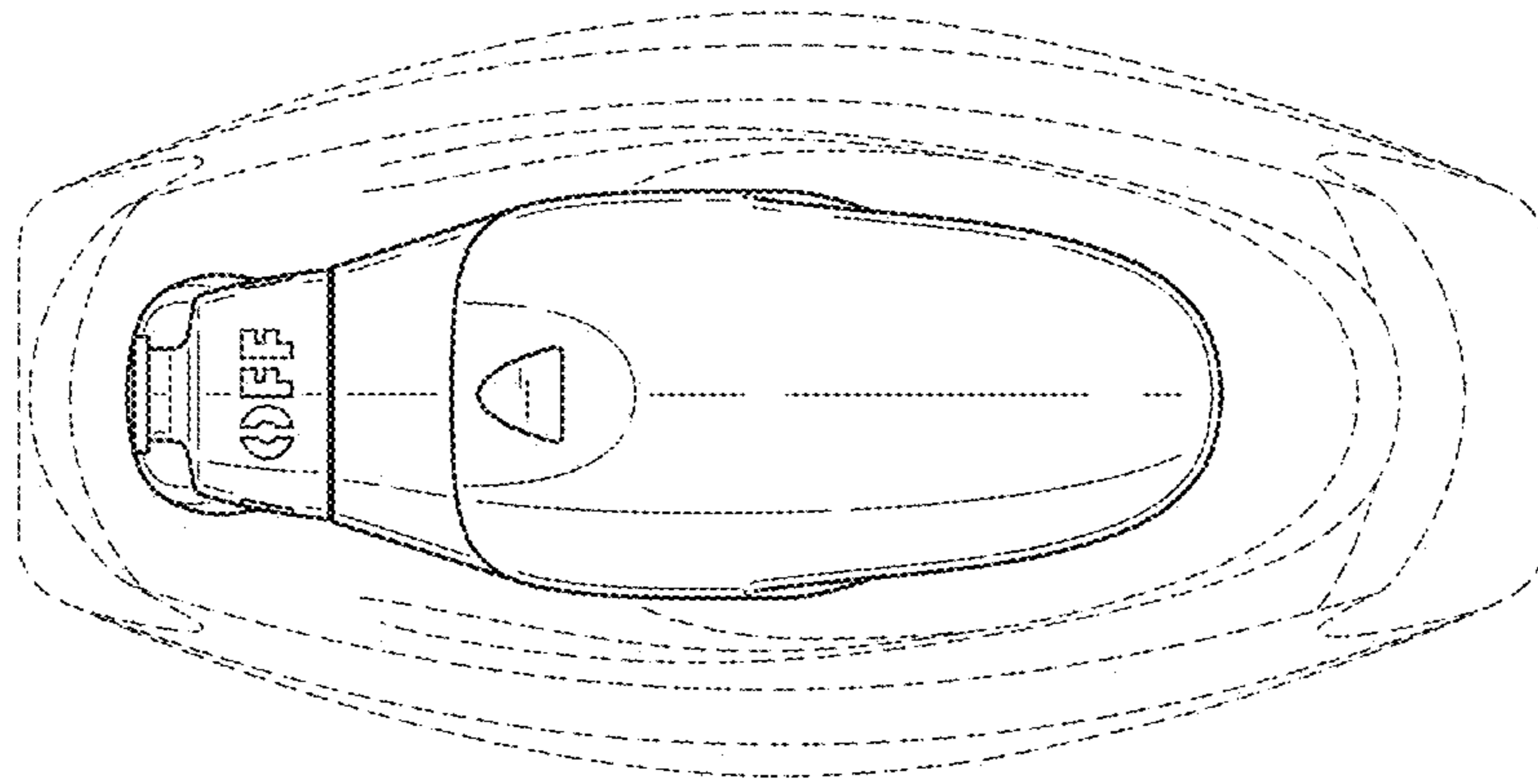


Fig. 6

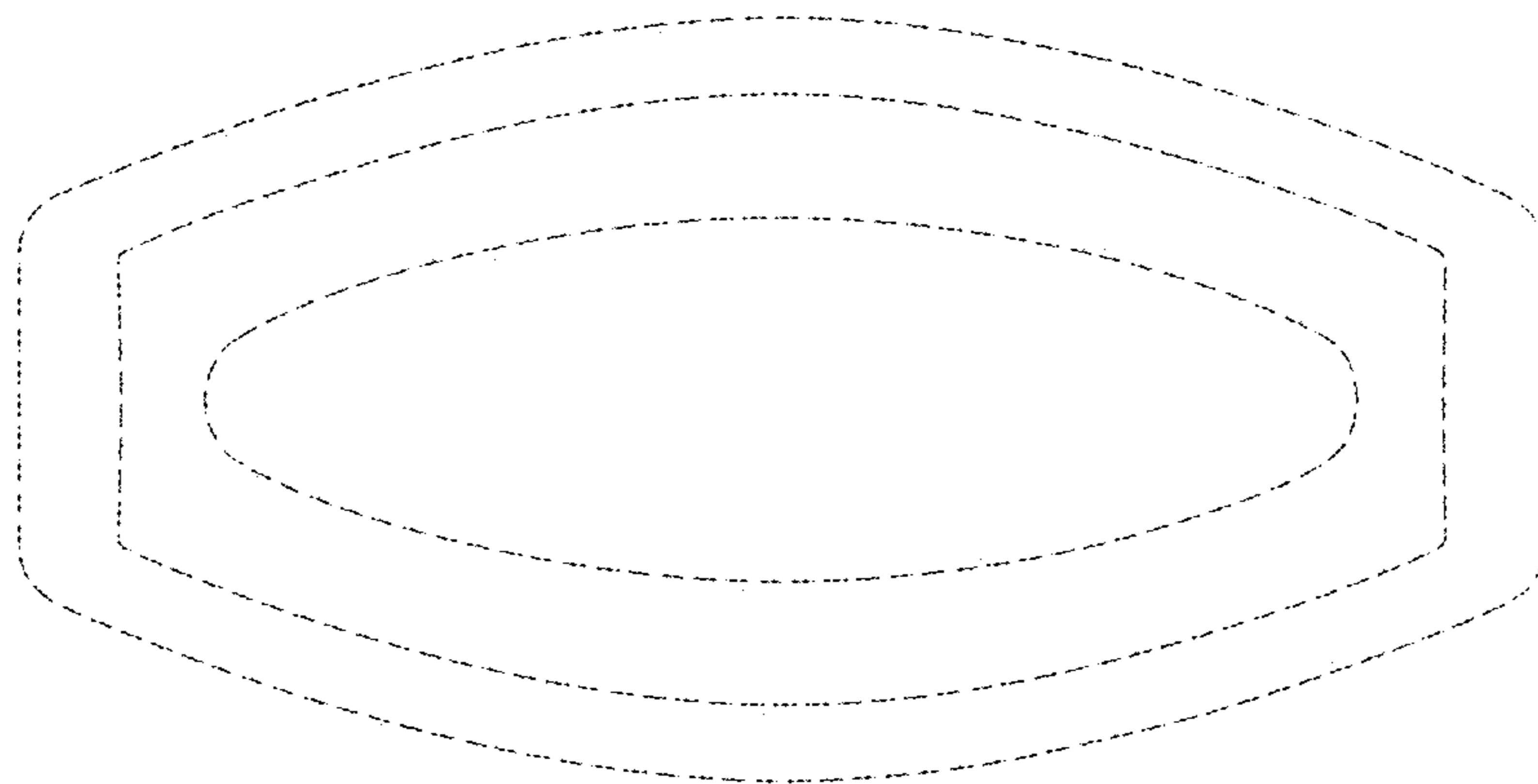


Fig. 7