



US00D875525S

(12) **United States Design Patent** (10) **Patent No.:** **US D875,525 S**
Griffis (45) **Date of Patent:** **** Feb. 18, 2020**

- (54) **BOTTLE RING**
- (71) Applicant: **Szent Co.**, Santa Monica, CA (US)
- (72) Inventor: **Shawn Griffis**, La Jolla, CA (US)
- (73) Assignee: **Szent Co.**, Santa Monica, CA (US)
- (**) Term: **15 Years**
- (21) Appl. No.: **29/658,748**
- (22) Filed: **Aug. 2, 2018**

D99,688 S * 5/1936 Tomlinson D11/39
 D159,985 S 9/1950 Heisey
 D172,090 S 5/1954 Pree
 (Continued)

FOREIGN PATENT DOCUMENTS

DE 102006038257 A1 2/2008
 DE 102009020524 A1 11/2010
 (Continued)

OTHER PUBLICATIONS

Amazon. Szent Water Passionfruit Ounce Pack. Review by Brett Conway on Nov. 9, 2018. <URL:https://www.amazon.com/SZENT-Water-Passionfruit-Ounce-Pack/dp/B07G8LHBF2?th=1>. (Year: 2018).*

(Continued)

Primary Examiner — Darcey E Gottschalk
 (74) *Attorney, Agent, or Firm* — Perkins Coie LLP

(57) **CLAIM**

The ornamental design for a bottle ring, as shown and described.

DESCRIPTION

FIG. 1 is an exploded view of a bottle ring;
 FIG. 2 is an isometric view of the bottle ring of FIG. 1 when positioned on a bottle;
 FIG. 3 is a frontal view of the bottle ring of FIG. 1 when positioned on a bottle;
 FIG. 4 is a zoomed-in view of the isometric view of the bottle ring of FIG. 1;
 FIG. 5 is a top view of the bottle ring of FIG. 4;
 FIG. 6 is a frontal view of the bottle ring of FIG. 4; and,
 FIG. 7 is a cross-sectional view of the bottle ring of FIG. 4 along the plane identified in FIG. 5.
 The broken-line disclosure represents portions of the bottle ring or bottle which form no part of the claimed design.

1 Claim, 6 Drawing Sheets

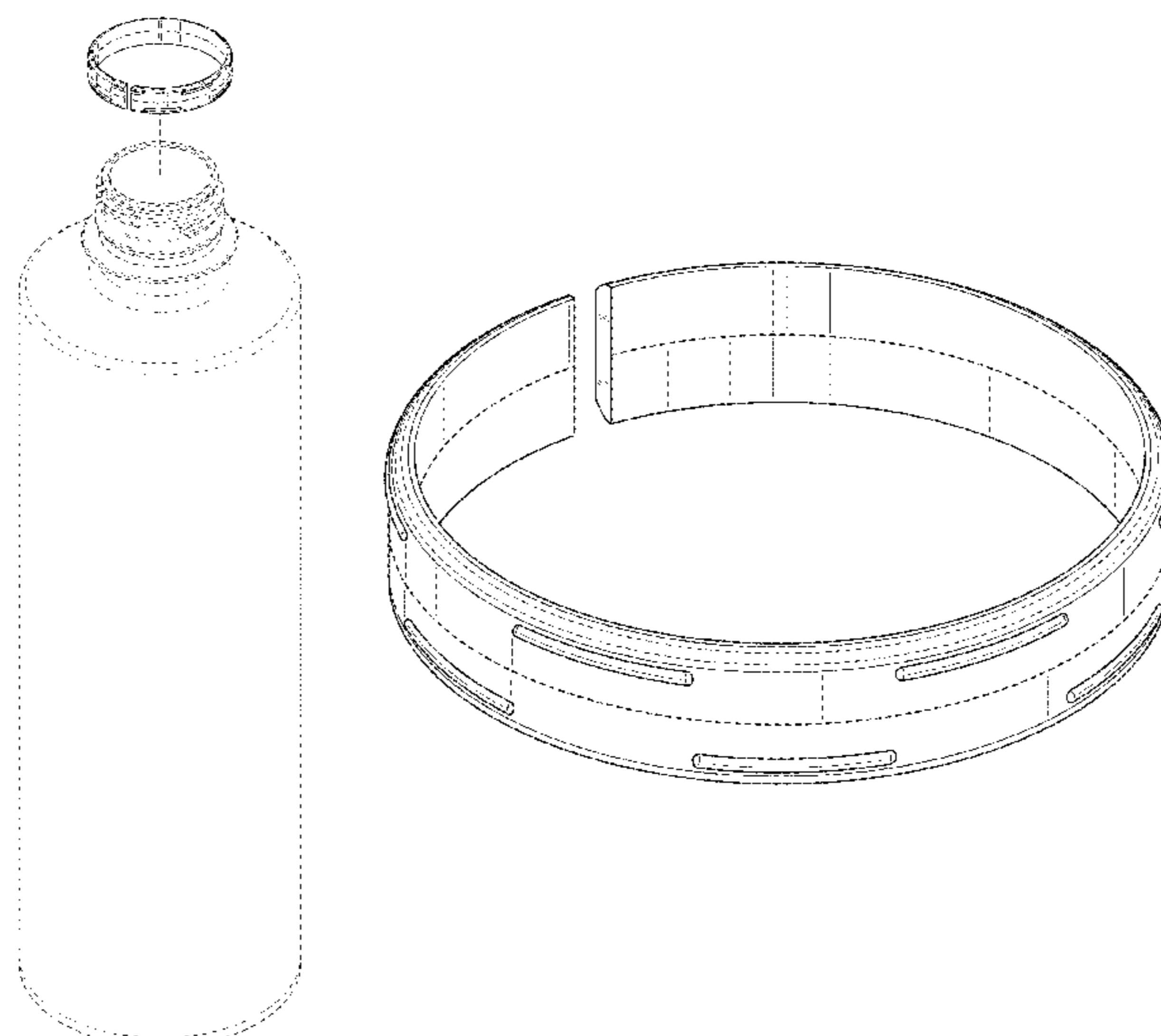
Related U.S. Application Data

- (62) Division of application No. 29/598,882, filed on Mar. 29, 2017, now Pat. No. Des. 827,435.
- (51) **LOC (12) Cl.** **09-07**
- (52) **U.S. Cl.**
USPC **D9/443; D9/454**
- (58) **Field of Classification Search**
USPC D7/392, 392.1, 396.2, 397, 398, 619.1, D7/620; D9/434-436, 454, 499, 516, D9/715-719, 453, 522, 537, 549, 562, D9/722, 738, 739, 746; D23/260, 269, D23/390; D3/202, 203.1, 203.2, 203.3, D3/203.4, 207, 208, 240, 276, 318; D8/18; D11/3, 4, 26, 29, 37-39; D20/22, 27; D30/152
CPC B65D 1/0246; B65D 1/0223; B65D 23/12; B65D 41/04; B65D 51/24; A61L 9/12
See application file for complete search history.

(56) **References Cited**

U.S. PATENT DOCUMENTS

D28,746 S 5/1898 Blount
 D30,338 S 3/1899 Mann
 D31,451 S * 8/1899 Norris D23/269
 D32,681 S 5/1900 Morgenthaler
 D44,392 S 7/1912 Whitney



(56)

References Cited

U.S. PATENT DOCUMENTS

3,043,464 A	3/1959	Cerasari	
D191,418 S	9/1961	Nassour	
D206,889 S	2/1967	Benes	
3,409,181 A	11/1968	McDonnell	
3,432,177 A	3/1969	Colwell	
3,590,989 A	7/1971	Wittwer	
D230,187 S	1/1974	Schultz	
D243,406 S *	2/1977	Mooney	D13/154
D256,003 S	7/1980	Barr	
D256,046 S	7/1980	Perrin	
D258,202 S	2/1981	Astor et al.	
4,540,721 A	9/1985	Staller	
D288,902 S	3/1987	Lewis	
4,687,203 A	8/1987	Spector	
4,717,017 A	1/1988	Sprinkel et al.	
D303,915 S *	10/1989	Knutson	D8/18
D312,768 S	12/1990	Eastman	
4,981,230 A	1/1991	Marshall et al.	
D317,274 S *	6/1991	Redina	D11/4
D319,035 S	8/1991	Kruse	
5,165,603 A	11/1992	Hahn	
5,197,620 A	3/1993	Gregory	
5,249,676 A	10/1993	Ashcraft et al.	
D348,836 S	7/1994	McCallum et al.	
5,388,731 A	2/1995	Mengeu et al.	
5,477,640 A	12/1995	Holtkamp, Jr.	
D372,765 S	8/1996	Sisk	
D374,837 S	10/1996	Austin	
5,635,229 A	6/1997	Ray	
5,707,696 A	1/1998	Boxler	
D394,824 S	6/1998	Itzkowitz	
5,795,644 A	8/1998	Delarosa	
5,810,184 A	9/1998	Adams et al.	
5,858,141 A	1/1999	Repp et al.	
5,865,535 A	2/1999	Edwards	
5,913,437 A	6/1999	Ma	
5,954,247 A	9/1999	Savine	
5,957,312 A	9/1999	Adams et al.	
6,006,472 A	12/1999	Holtkamp, Jr.	
D422,905 S	4/2000	Walker	
6,045,833 A	4/2000	Landau	
6,062,441 A	5/2000	Mengeu et al.	
6,102,224 A	8/2000	Sun	
6,112,749 A	9/2000	Hall et al.	
6,112,923 A	9/2000	Ma	
6,290,914 B1	9/2001	LeJune et al.	
D453,000 S	1/2002	Shinjo	
D457,783 S	5/2002	Bodum	
D460,357 S	7/2002	Kras et al.	
D465,731 S	11/2002	Brant et al.	
6,484,873 B1	11/2002	Pizarro	
6,484,896 B2	11/2002	Ma	
6,497,337 B1	12/2002	Kehe	
D468,492 S	1/2003	Wilhelm	
6,511,726 B1	1/2003	Kinigakis	
6,581,793 B1	6/2003	Racine et al.	
6,659,297 B2	12/2003	Gregory et al.	
6,677,397 B1	1/2004	Baranowski et al.	
D491,066 S	6/2004	Le Goff	
6,766,916 B2	7/2004	Ma	
D498,826 S *	11/2004	Takahiro	D23/269
D501,625 S	2/2005	Biggerstaff	
6,964,346 B1	11/2005	Taber et al.	
6,981,602 B2	1/2006	Ma et al.	
D515,353 S *	2/2006	Martin	D7/392.1
7,005,152 B2	2/2006	Landau	
D518,717 S	4/2006	German	
D518,718 S	4/2006	vonSpreckelsen et al.	
D522,368 S	6/2006	Darr et al.	
D533,747 S	12/2006	Jin	
D533,802 S	12/2006	Thompson et al.	
D534,428 S	1/2007	Reed et al.	
D534,802 S	1/2007	German	
D535,210 S	1/2007	Park	
D545,235 S	6/2007	Carter-Smith et al.	
D548,092 S	8/2007	Klemm	
D553,238 S	10/2007	Haggkvist	
D553,254 S	10/2007	Colin et al.	
7,284,711 B2	10/2007	Reed et al.	
7,306,108 B2	12/2007	Cleevely	
D576,047 S	9/2008	Reihle	
D578,889 S	10/2008	Sadiq et al.	
7,470,035 B1	12/2008	Benitez	
D584,149 S	1/2009	Lohrman et al.	
D587,118 S	2/2009	Sadiq et al.	
7,484,675 B2	2/2009	Brown	
D592,950 S	5/2009	Kopulos	
D595,581 S	7/2009	Brunson	
D600,115 S	9/2009	Trayser	
D606,864 S	12/2009	Robinson	
D614,247 S	4/2010	Clausen	
D615,816 S	5/2010	Joy et al.	
D617,426 S	6/2010	Leyfang	
7,748,557 B2	7/2010	Robinson	
D623,056 S *	9/2010	Sessa	D11/26
7,798,320 B2	9/2010	Pham	
D633,386 S	3/2011	Taber et al.	
D633,387 S *	3/2011	Gatto	D9/434
D634,199 S	3/2011	Taber et al.	
D634,200 S	3/2011	Taber et al.	
D635,352 S	4/2011	Himley et al.	
D643,912 S	8/2011	Bowman	
D646,600 S	10/2011	Minkkinen et al.	
D650,677 S	12/2011	Wurster et al.	
D662,767 S	7/2012	Hotell et al.	
D671,406 S	11/2012	Sawicki et al.	
8,364,028 B1	1/2013	Vaske et al.	
D678,989 S *	3/2013	Zerrer	D23/259
8,440,265 B2	5/2013	Duan	
D684,082 S *	6/2013	Alvarez	D11/3
D686,075 S	7/2013	Guerin et al.	
D686,101 S *	7/2013	Dailey	D11/26
8,474,637 B2	7/2013	Zhang et al.	
D689,789 S *	9/2013	Hardy	D11/26
D691,885 S	10/2013	Potts	
D694,107 S *	11/2013	Didio	G09F 3/005 D9/434
D696,751 S	12/2013	Beagen, Jr.	
D696,952 S	1/2014	Sawicki et al.	
8,672,158 B2	3/2014	Taber	
8,708,189 B2	4/2014	Reitzig	
D706,908 S *	6/2014	Knapp	D23/269
D706,909 S *	6/2014	van de Klippe	D23/269
D723,919 S	3/2015	Taber et al.	
D730,734 S *	6/2015	Rapparini	D9/454
D733,604 S *	7/2015	Tan	D11/3
D734,670 S	7/2015	Griffis	
9,108,763 B2	8/2015	Landau	
D743,513 S *	11/2015	Yamagishi	D23/269
D752,975 S	4/2016	Gatto	
D753,490 S	4/2016	D'Donahue	
9,302,830 B2	4/2016	Ramsey et al.	
D762,115 S	7/2016	Corvaglia et al.	
D766,716 S *	9/2016	Logel	D9/434
D776,529 S	1/2017	Torrison et al.	
D783,607 S *	4/2017	Lee	D14/138 R
D785,144 S *	4/2017	Kitagawa	D23/269
D791,591 S	7/2017	Berge	
D792,219 S	7/2017	Bueno Nunez	
D795,021 S	8/2017	Lindloff	
9,801,969 B2 *	10/2017	Griffis	B65D 51/245
D807,173 S	1/2018	Cooper et al.	
D815,951 S	4/2018	Solovy	
9,957,076 B2	5/2018	Tung	
D824,257 S	7/2018	Wood et al.	
D826,047 S *	8/2018	Griffis	D9/452
D827,435 S *	9/2018	Griffis	D9/443
D828,088 S *	9/2018	Furneaux	D7/396.2
D832,130 S *	10/2018	Bostic	D11/4
10,086,104 B2	10/2018	Griffis	
D832,734 S *	11/2018	Warren	D11/26
D838,171 S	1/2019	Wood et al.	
10,189,611 B2	1/2019	Cox	
2001/0027957 A1	10/2001	Kano et al.	

(56)

References Cited

U.S. PATENT DOCUMENTS

2002/0139093	A1	10/2002	Landau
2002/0158037	A1	10/2002	Kano et al.
2002/0190023	A1	12/2002	Landau
2003/0132244	A1	7/2003	Birkmayer et al.
2004/0018278	A1	1/2004	Popplewell
2004/0029750	A1	2/2004	Schudel et al.
2005/0196571	A1	9/2005	Penny et al.
2006/0246265	A1	11/2006	Rogers et al.
2006/0255002	A1	11/2006	Takamatsu et al.
2006/0278542	A1	12/2006	Pham et al.
2006/0278543	A1	12/2006	Pham
2006/0291756	A1	12/2006	Thomas et al.
2007/0023301	A1	2/2007	Pham
2007/0051690	A1	3/2007	Hidding
2007/0114142	A1	5/2007	Sine et al.
2008/0067142	A1	3/2008	Druitt
2008/0149586	A1	6/2008	Loughrin et al.
2008/0173611	A1	7/2008	Neputy et al.
2008/0245757	A1	10/2008	Durand
2009/0045158	A1	2/2009	Suriol
2009/0078786	A1	3/2009	Slade
2009/0098026	A1	4/2009	Wood
2009/0155505	A1	6/2009	Wagenheim
2009/0258118	A1	10/2009	Gillian
2010/0323134	A1	12/2010	Bostian et al.
2011/0253584	A1	10/2011	Duan
2011/0290755	A1	12/2011	Taber et al.
2012/0006909	A1	1/2012	Zhang et al.
2012/0175016	A1	7/2012	Lopez et al.
2013/0043245	A1	2/2013	Griffis
2013/0056551	A1	3/2013	Zhang et al.
2013/0062239	A1	3/2013	Key
2013/0105066	A1	5/2013	Landau
2013/0205718	A1	8/2013	Kapolas
2013/0276339	A1	10/2013	Hernandez et al.
2013/0313218	A1	11/2013	Cox et al.
2014/0158660	A1	6/2014	Wood et al.
2014/0263335	A1	9/2014	Taber et al.
2015/0027974	A1	1/2015	Niec
2015/0076030	A1	3/2015	Smith
2015/0102033	A1	4/2015	Banovie
2015/0329247	A1	11/2015	Lou
2016/0122066	A1	5/2016	DiBaisio
2017/0081095	A1	3/2017	McPherson et al.
2017/0239382	A1	8/2017	Griffis
2017/0240325	A1	8/2017	Seelhofer
2017/0326263	A1	11/2017	Griffis
2018/0043047	A1	2/2018	Griffis
2018/0079552	A1	3/2018	Ayeni
2018/0141730	A1	5/2018	Rognard
2018/0201414	A1	7/2018	Rouquette
2019/0009953	A1	1/2019	Edie et al.
2019/0062007	A1	2/2019	Kim
2019/0084728	A1	3/2019	Bonfoey et al.
2019/0091363	A1	3/2019	Griffis
2019/0118989	A1	4/2019	Kim
2019/0224359	A1	7/2019	Griffis

FOREIGN PATENT DOCUMENTS

DE	202017001221	U1	7/2017
GB	5000214		10/2015
WO	2010068731		6/2010
WO	2018085580		5/2018
WO	2018203993		11/2018

OTHER PUBLICATIONS

Examination Report received for European Union Design Application No. 005826559; dated Nov. 28, 2018 (2 pages).

First Examiner's Report received for Canadian Application No. 177508; dated Jul. 23, 2018 (3 pages).
 Non-Final Office Action received for U.S. Appl. No. 15/663,534, dated Aug. 16, 2018 (26 pages).
 First Examiner's Report received for Australian Application No. 2018202261; dated Aug. 30, 2018 (5 pages).
 Office Action for German Application No. 10 2018 003 090.4, dated Jan. 15, 2019 (8 pages).
 Examiner's Report received for Canadian Application No. 2999583; dated Jan. 30, 2019 (3 pages).
 Final Office Action received for U.S. Appl. No. 15/663,534; dated Feb. 13, 2019 (19 pages).
 Non-Final Office Action received for U.S. Appl. No. 29/599,447, dated Mar. 28, 2019 (10 pages).
 Szent Water: Announced Nov. 7, 2018 [online]. Site visited [Mar. 22, 2019]. Available from internet URL: https://www.amazon.com/SZE-NT-Water-Passionfruit-Ounce-Pack/dp/B07G8LHBF2/ref=cm_cr_ar_p_d_product_top?ie=UTF8&th=1.
 Notice of Allowance Received for U.S. Appl. No. 15/663,534, dated May 3, 2019.
 Notification to Grant Patent Right for Design and Go through Formalities of Registration Received for Chinese Application No. 201830652933.8, dated Jul. 16, 2019.
 International Search Report and Written Opinion for International Application No. PCT/US19/24708, dated Jun. 24, 2019 (9 pages).
 Notice of Acceptance for Patent Application Received for Australia Application No. 2018202261, dated May 30, 2019.
 Amazon. Szent Water Passionfruit Ounce Pack. Review by Brett Conway on Nov. 9, 2018. <https://www.amazon.com/SZENT-Water-Passionfruit-Ounce-Pack/dp/B07G8LHBF2?th=1> (Year: 2018).
 Amazon. Oxford Ivy—Men's 14K White Gold 6MM Comfort Fit Beveled Edge Wedding Band Sep. 30, 2016. <https://www.amazon.com/White-Comfort-Beveled-Wedding-Available/dp/B01LYD52N4> (Year: 2016).
 Etsy. Mini Orange Plastic Soda Bottle Rings/Safety Seals. Mar. 23, 2018 [earliest online date], [site visited Apr. 23, 2018]. Available from Internet, <URL:<https://etsy.me/2HSzu7f>>. (Year: 2018).
 First Action Interview Pilot Program Pre-Interview Communication for U.S. Appl. No. 15/782,720, dated Apr. 2, 2018 (6 pages).
 Flavour Bottle: The world's first flavored bottle, available at <https://www.kickstarter.com/projects/flavourtechnologies/flavour-bottle-the-worlds-first-flavored-bottle/description>.
 Forever Gifts. Beveled Edge Black Tungsten Wedding Band. Apr. 26, 2017 [earliest online date], [site visited Apr. 26, 2018]. Available from Internet, <URL:<https://www.forevergifts.com/beveled-edge-black-tungsten-wedding-band-free-engraving/>>. (Year: 2017).
 High-Tech Cocktail Glass Lets You Experience Plain Water as the Perfect Cocktail, Oddity Central, available at <http://www.odditycentral.com/technology/high-tech-cocktail-glass-lets-you-experience-plain-water-as-the-perfect-cocktail.html>, Nov. 20, 2017.
 International Search Report and Written Opinion for International Application No. PCT/US18/24630, dated Apr. 23, 2018 (7 pages).
 Non-Final Office Action for U.S. Appl. No. 15/663,534, dated Apr. 2, 2018 (26 pages).
 Non-Final Office Action for U.S. Appl. No. 29/298,882, dated May 1, 2018 (29 pages).
 Non-Final Office Action for U.S. Appl. No. 29/598,879, dated May 1, 2018 (26 pages).
 The New York Times. Mystery in Sochi Doping Case Lies With Tamper-Proof Bottle by Rebecca R. Ruiz. May 13, 2016 [earliest online date], [site visited Apr. 23, 2018]. Available from Internet, <URL:<https://www.nytimes.com/2016/05/14/sports/russia-doping-bottles-olympics-2014.html>>. (Year: 2016).
 Non-Final Office Action received for U.S. Appl. No. 16/368,796, dated Sep. 16, 2019.

* cited by examiner

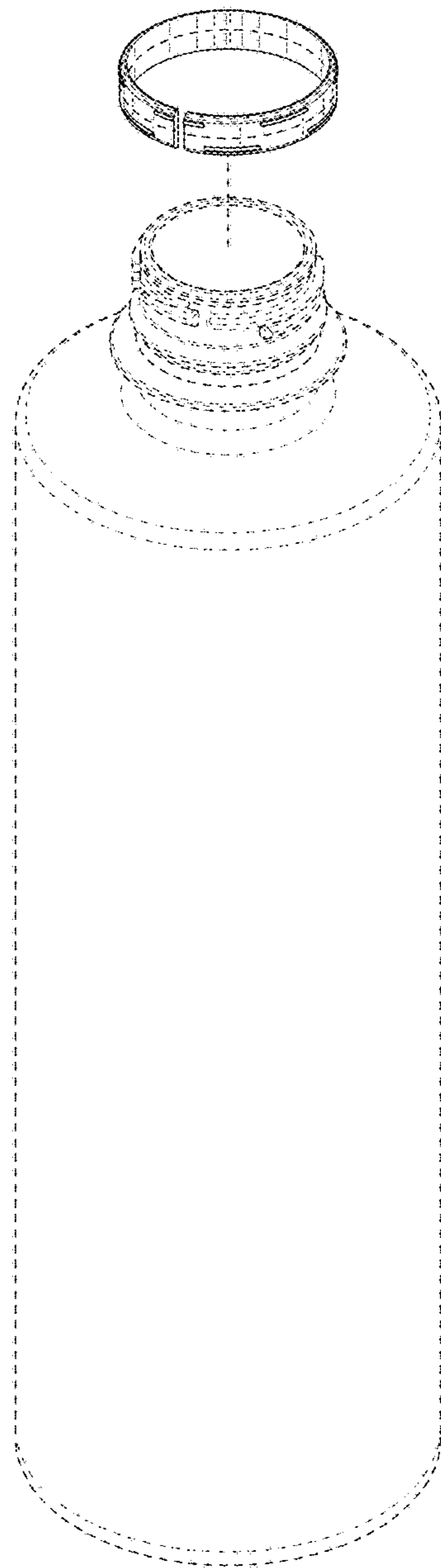


Fig. 1

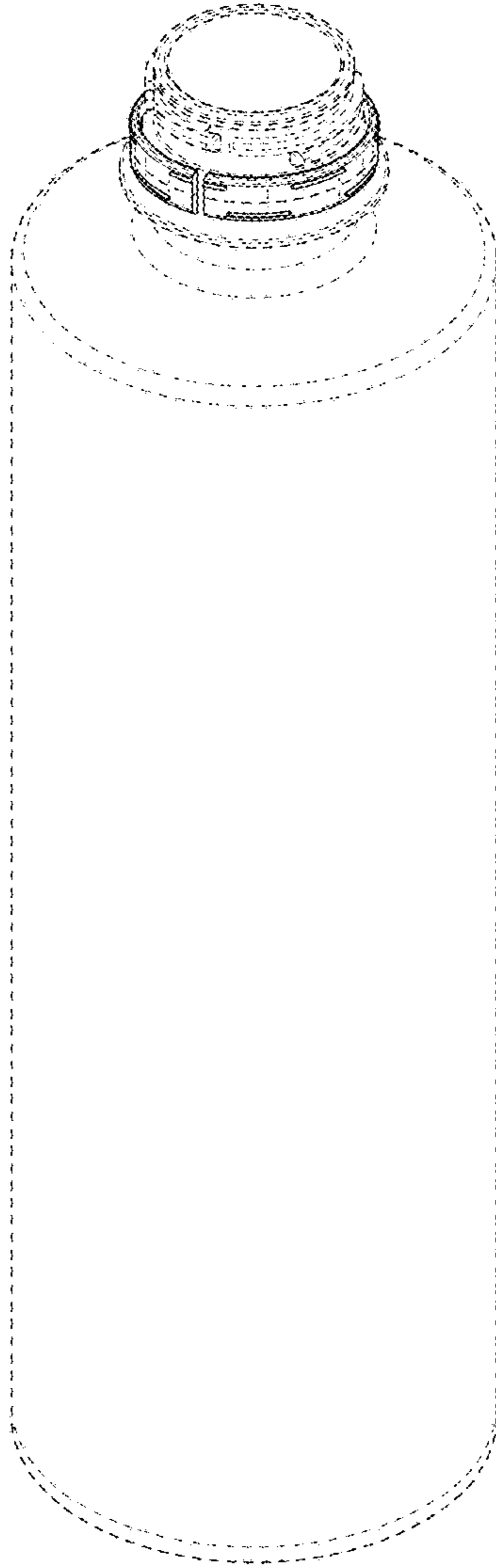


Fig. 2

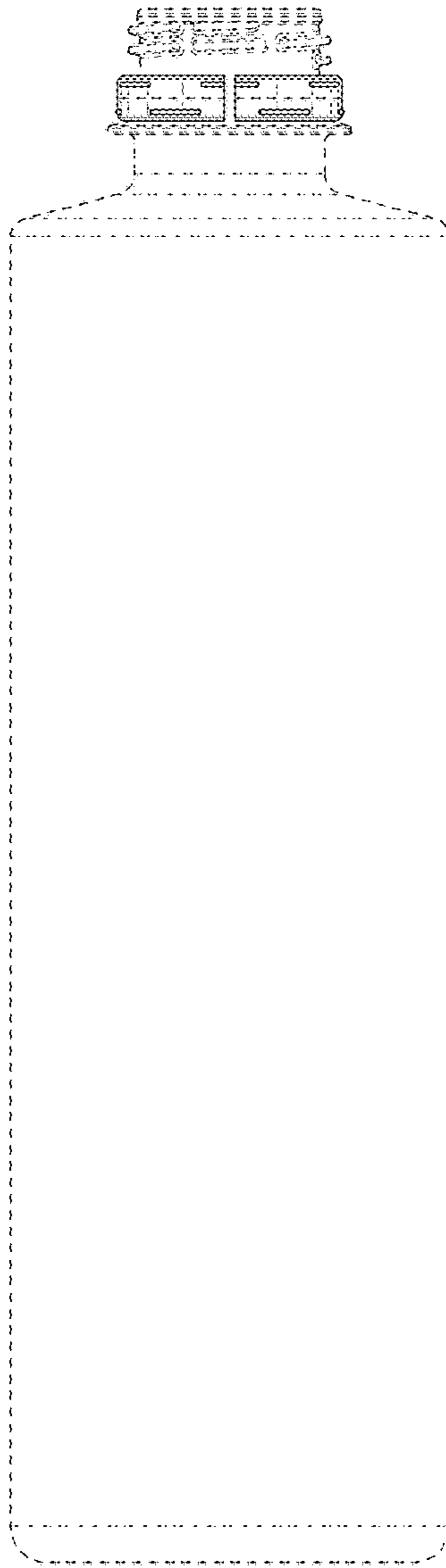


Fig. 3

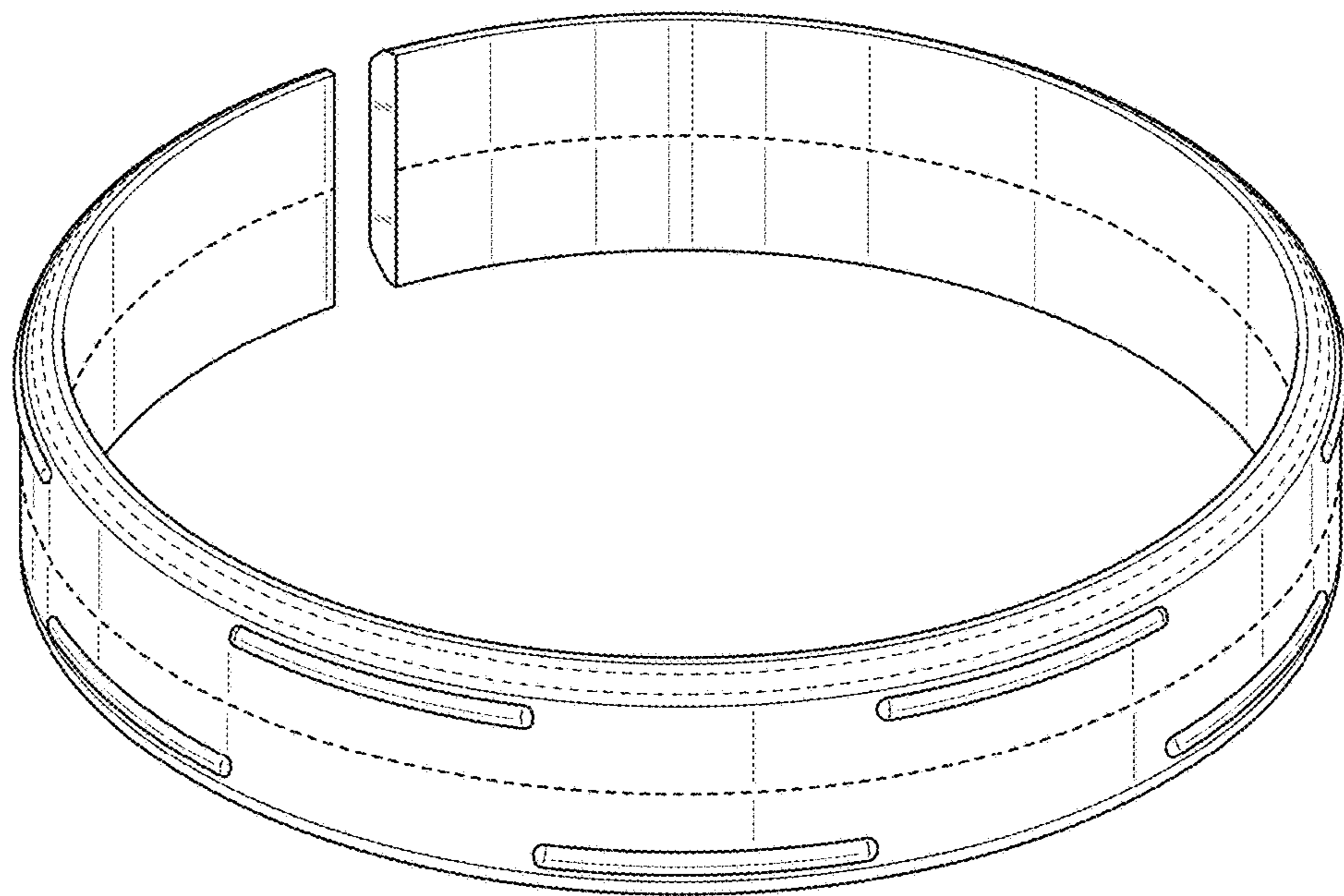


Fig. 4

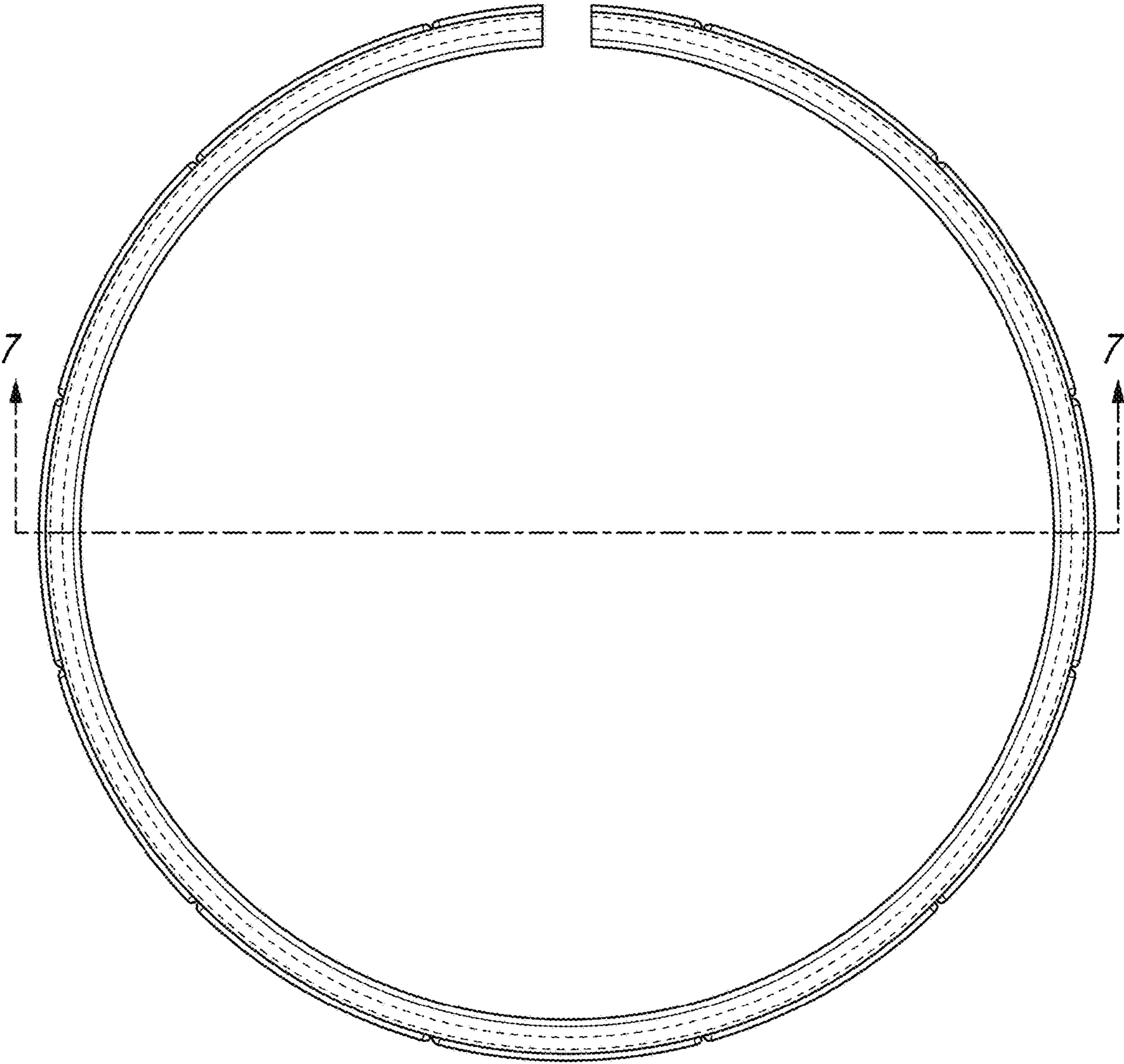


Fig. 5

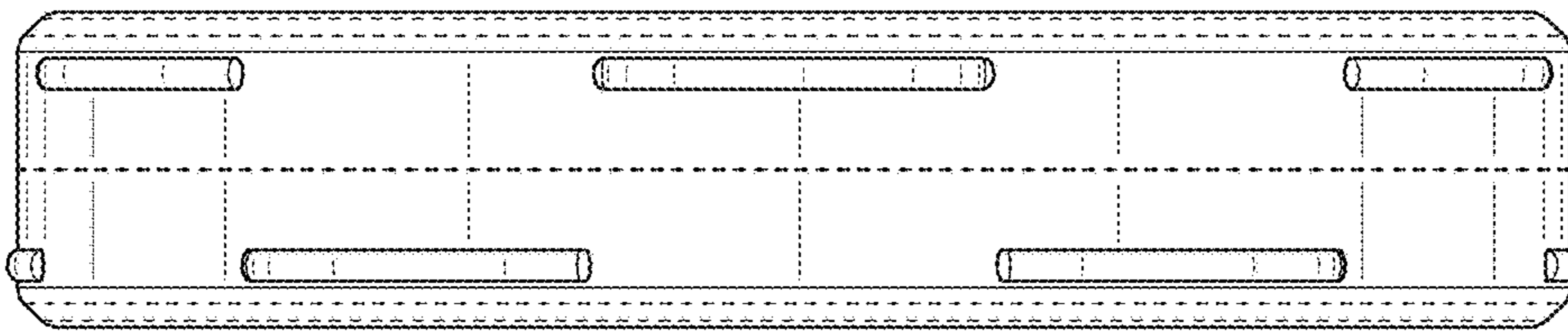


Fig. 6

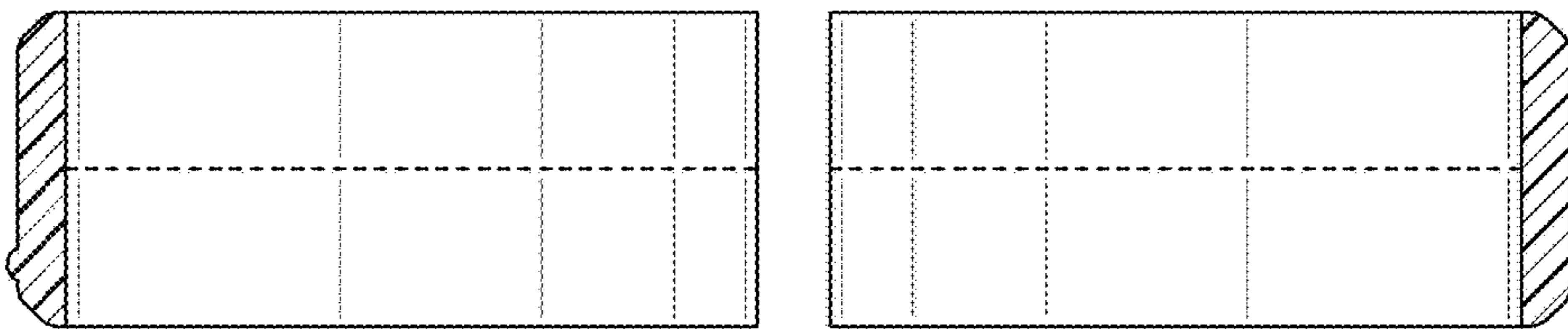


Fig. 7