



US00D875522S

(12) **United States Design Patent** (10) **Patent No.:** **US D875,522 S**
Elman (45) **Date of Patent:** **** Feb. 18, 2020**

(54) **FOLD-UP CONTAINER/DISPENSER WITH A FLOOR AND A DISPERSION PLATFORM**

(71) Applicant: **Noel Elman**, Brookline, MA (US)

(72) Inventor: **Noel Elman**, Brookline, MA (US)

(**) Term: **15 Years**

(21) Appl. No.: **29/695,092**

(22) Filed: **Jun. 14, 2019**

Related U.S. Application Data

(62) Division of application No. 29/633,676, filed on Jan. 15, 2018, now Pat. No. Des. 857,495.

(51) **LOC (12) Cl.** **09-03**

(52) **U.S. Cl.**
USPC **D9/430; D9/420**

(58) **Field of Classification Search**
USPC D9/414-423, 424-429, 430-433, 434, D9/456, 457, 711, 713, 721-722, 737; D3/272-274, 290, 304, 305, 315
CPC ... B65D 5/00; B65D 5/02; B65D 5/18; B65D 5/20
See application file for complete search history.

(56) **References Cited**

U.S. PATENT DOCUMENTS

1,689,069	A *	10/1928	Carver	B65D 5/02 229/120.1
2,112,879	A *	4/1938	Broderick	B65D 5/02 206/110
2,174,687	A *	10/1939	Comley	B65D 5/02 229/110
2,307,854	A *	1/1943	Palmer	B65D 5/64 229/122.31
2,320,665	A *	6/1943	Shearer	B65D 5/02 229/110
2,342,623	A *	2/1944	Aquino	B65D 5/02 229/110
D235,248	S *	6/1975	Bennet	D9/430

(Continued)

OTHER PUBLICATIONS

Hexagonal Money Boxes. [online] Published on Apr. 26, 2018. Retrieved Sep. 30, 2019 from URL: <https://www.popupmailers.co.uk/hexagonal-manual-money-box.php>.*

Primary Examiner — Vy N Koenig

(74) *Attorney, Agent, or Firm* — Quickpatents, LLC; Kevin Prince

(57) **CLAIM**

I claim the ornamental design for a fold-up container/dispenser with a floor and a dispersion platform, as shown and described.

DESCRIPTION

FIG. 1 is a top perspective view of a fold-up container with a floor and a dispersion screen, showing my new design in an assembled configuration with a lid in a closed configuration;

FIG. 2 is a top perspective view thereof, illustrated with the lid in an open configuration;

FIG. 3 is a top perspective view thereof, illustrated with the lid in an open configuration and the dispersion screen folded away from the container;

FIG. 4 is a front elevational view thereof;

FIG. 5 is a rear elevational view thereof;

FIG. 6 is a left-side elevational view thereof;

FIG. 7 is a right-side elevational view thereof;

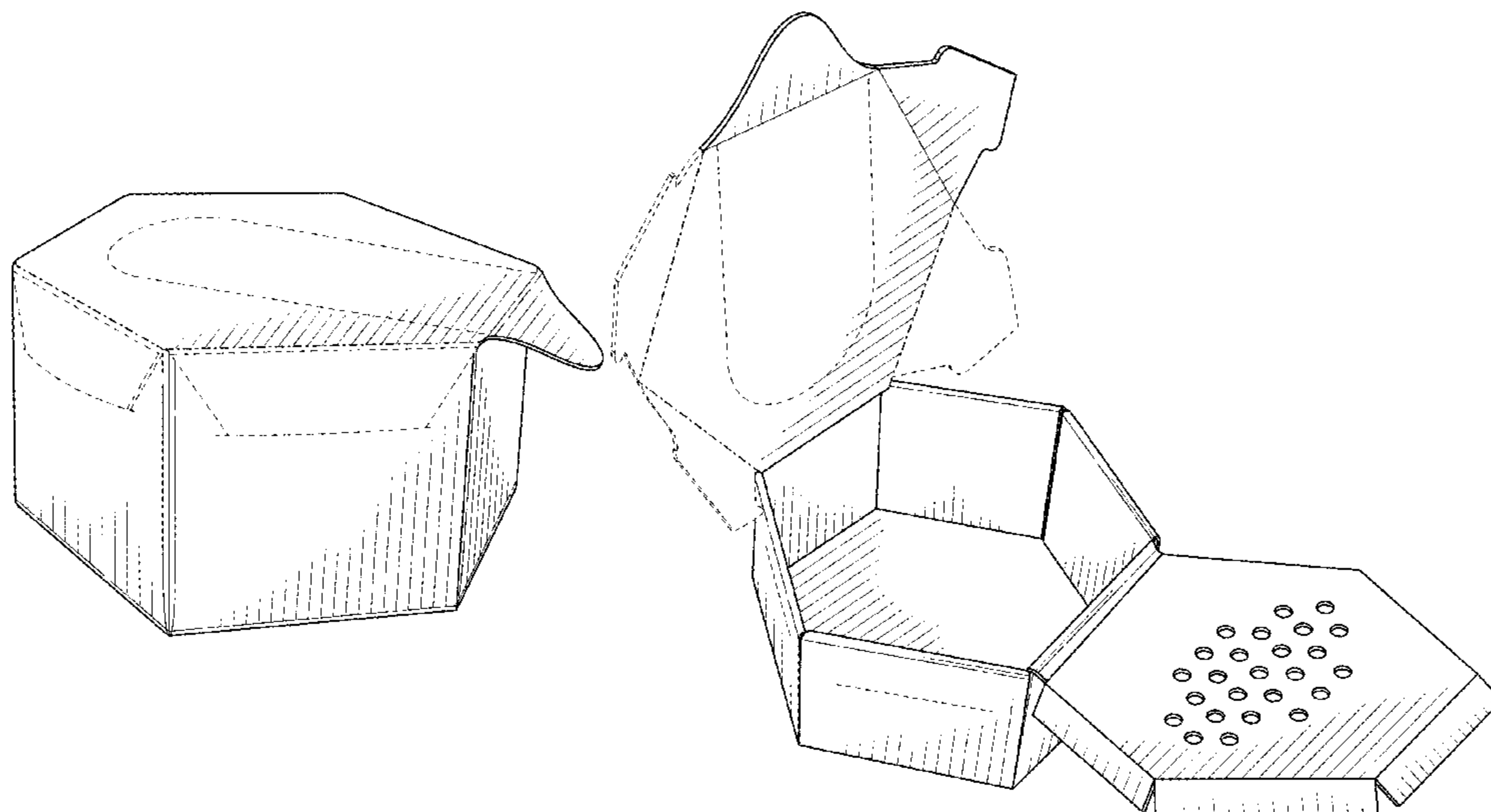
FIG. 8 is a top plan view thereof;

FIG. 9 is a bottom plan view thereof; and,

FIG. 10 is a top plan view thereof, illustrated in a flat configuration.

The evenly spaced broken lines in the figures depict portions of the fold-up container that form no part of the claimed design. The unevenly dashed broken lines in the figure depict the boundaries of the claim and form no part of the claimed design.

1 Claim, 6 Drawing Sheets



(56)

References Cited

U.S. PATENT DOCUMENTS

4,208,954 A * 6/1980 Chase B65D 5/02
229/110
D257,829 S * 1/1981 Webinger D9/430
5,971,263 A * 10/1999 Mangano B65D 5/02
220/529
D672,645 S * 12/2012 Giannini D9/430
D764,278 S * 8/2016 Tulin D9/430
D764,909 S * 8/2016 Tulin D9/430
D775,943 S * 1/2017 Quiroga De La Garza .. D9/414
D857,495 S * 8/2019 Elman D9/430

* cited by examiner

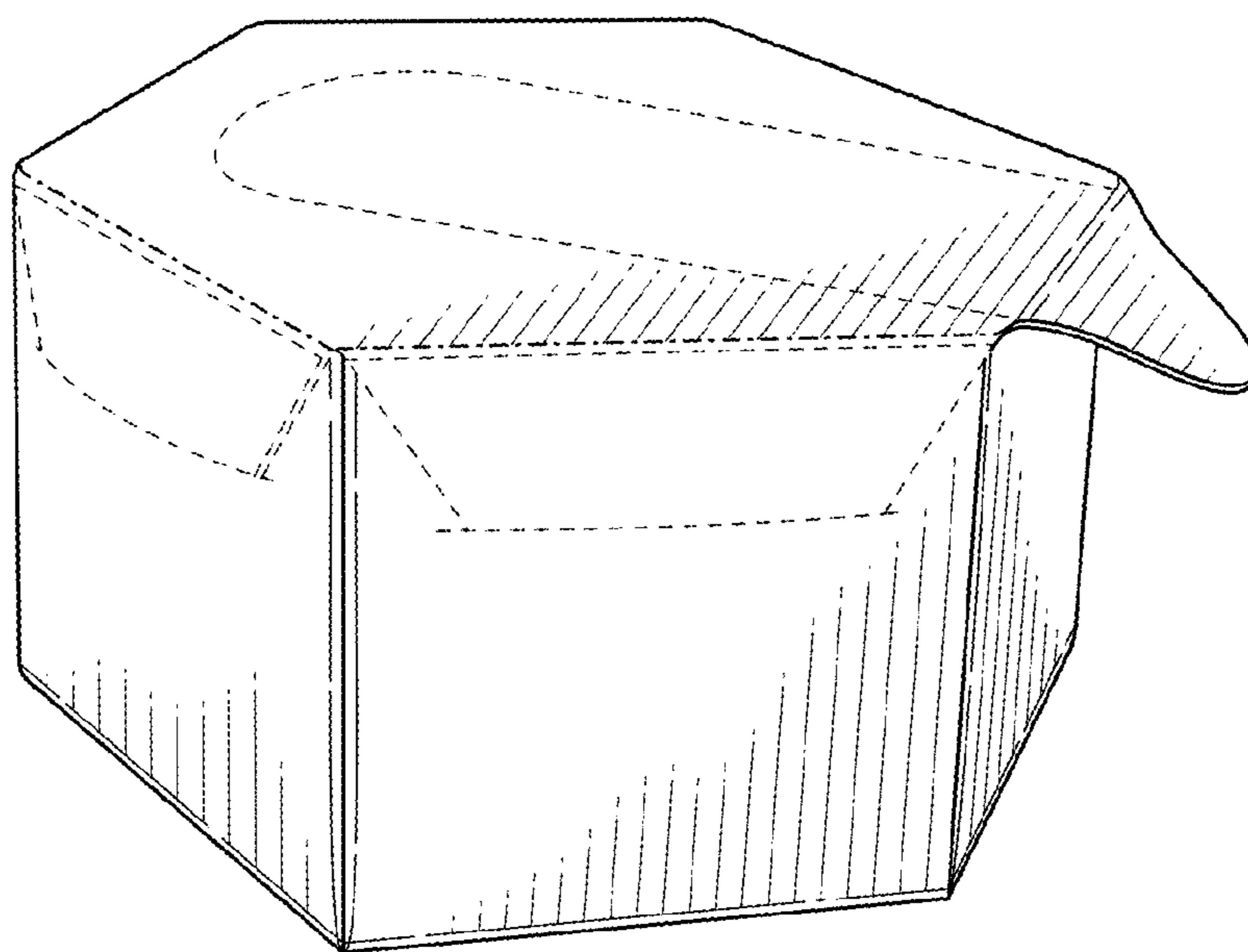


FIG. 1

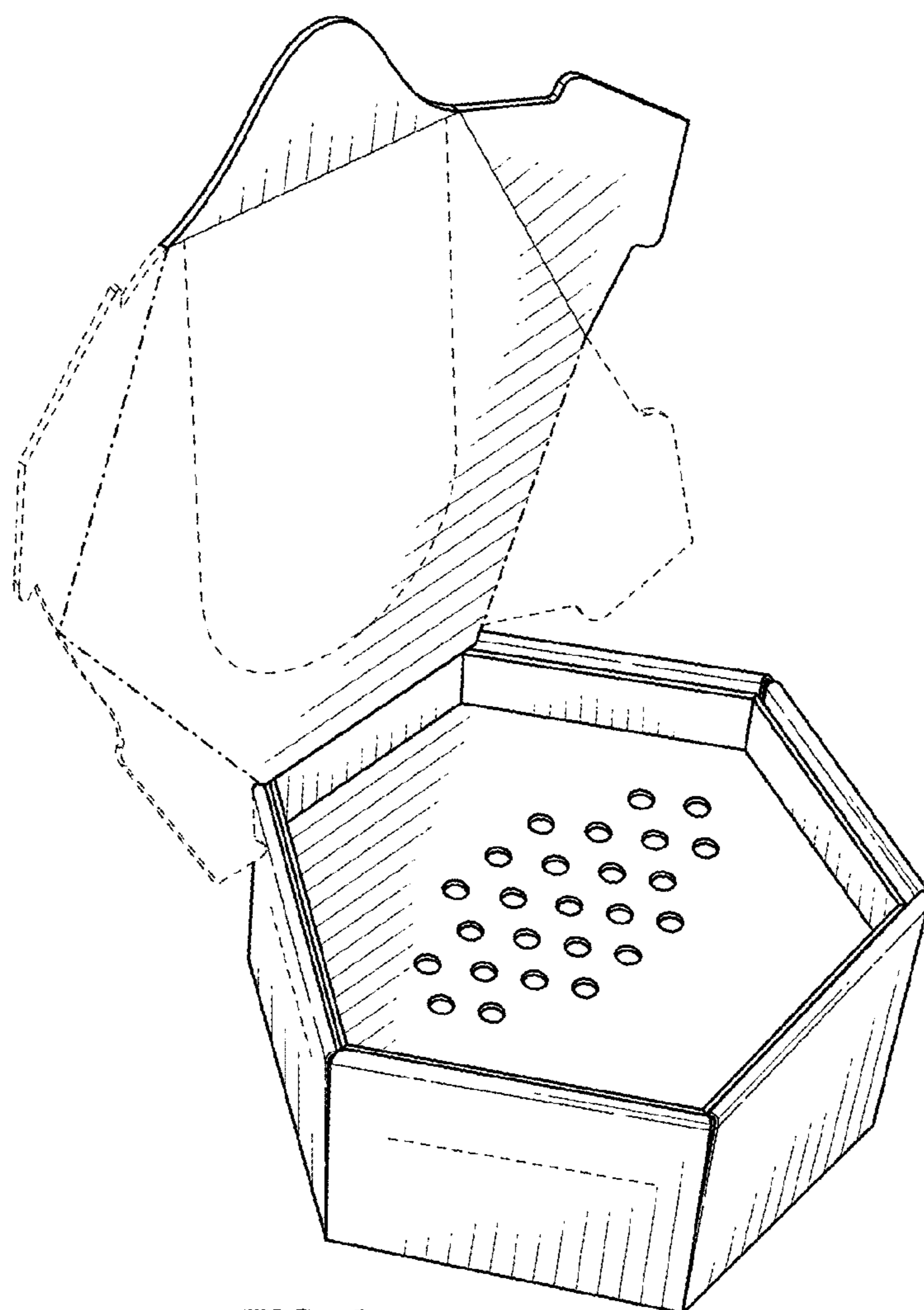


FIG. 2

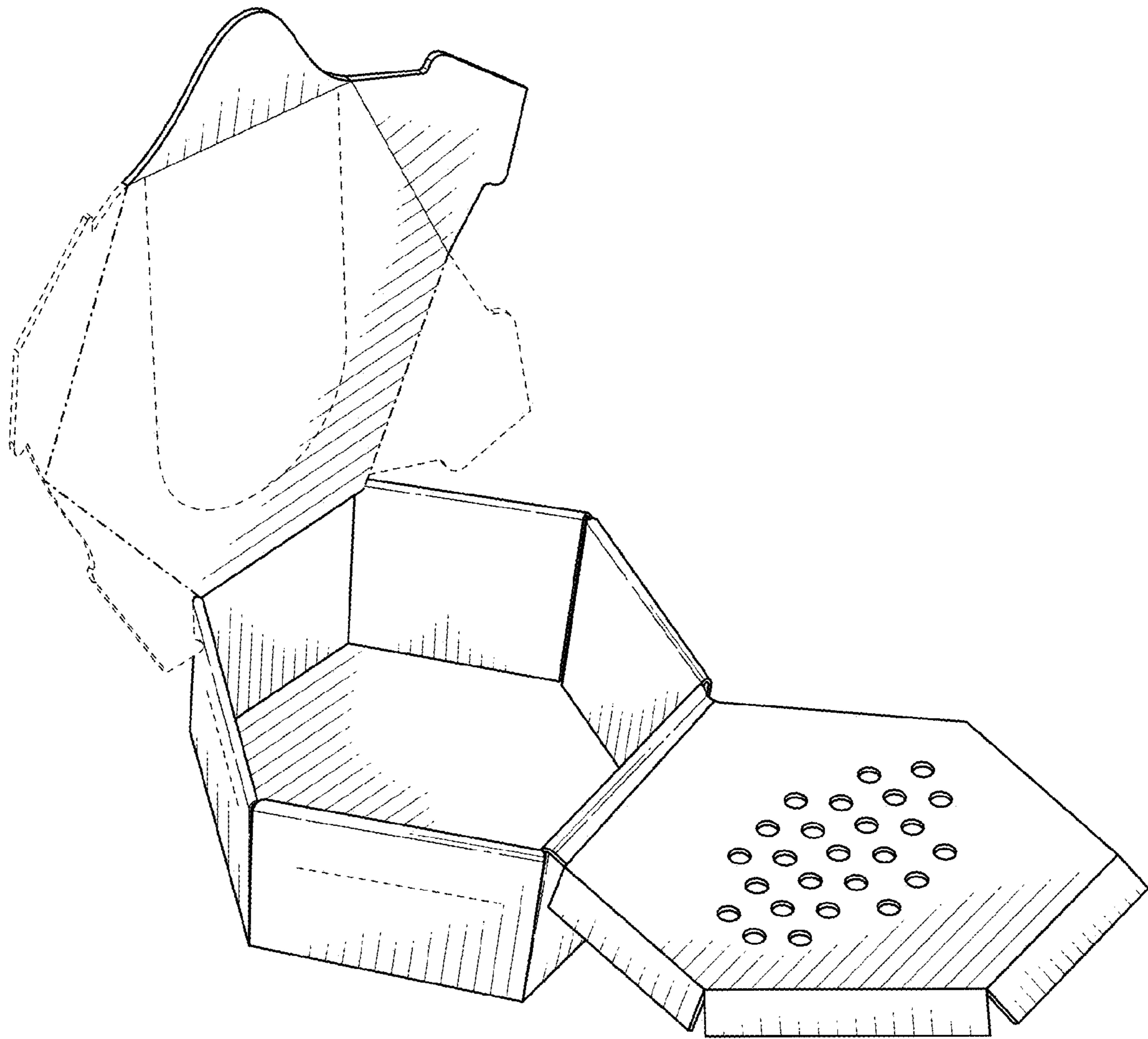


FIG. 3

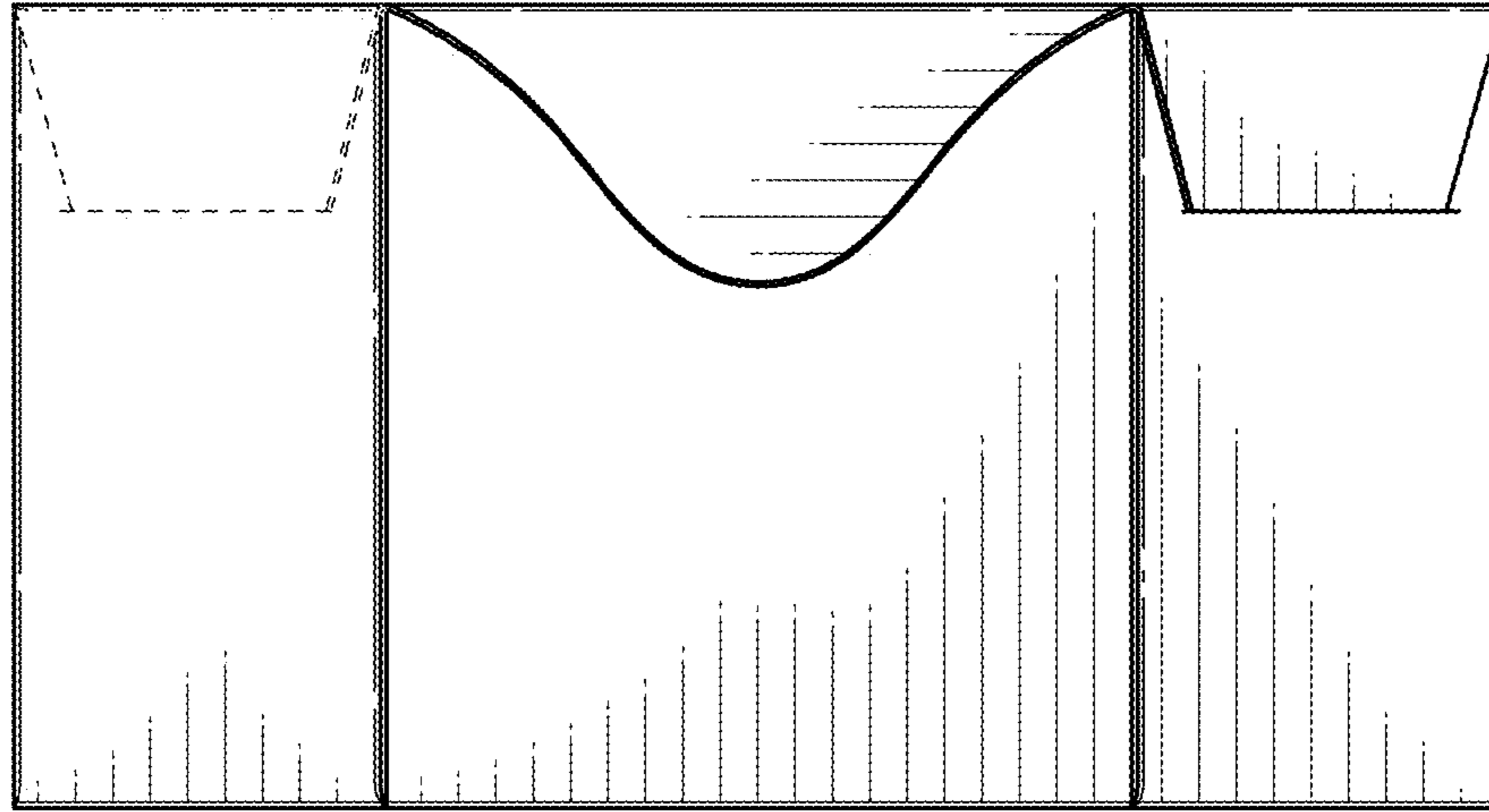


FIG. 4

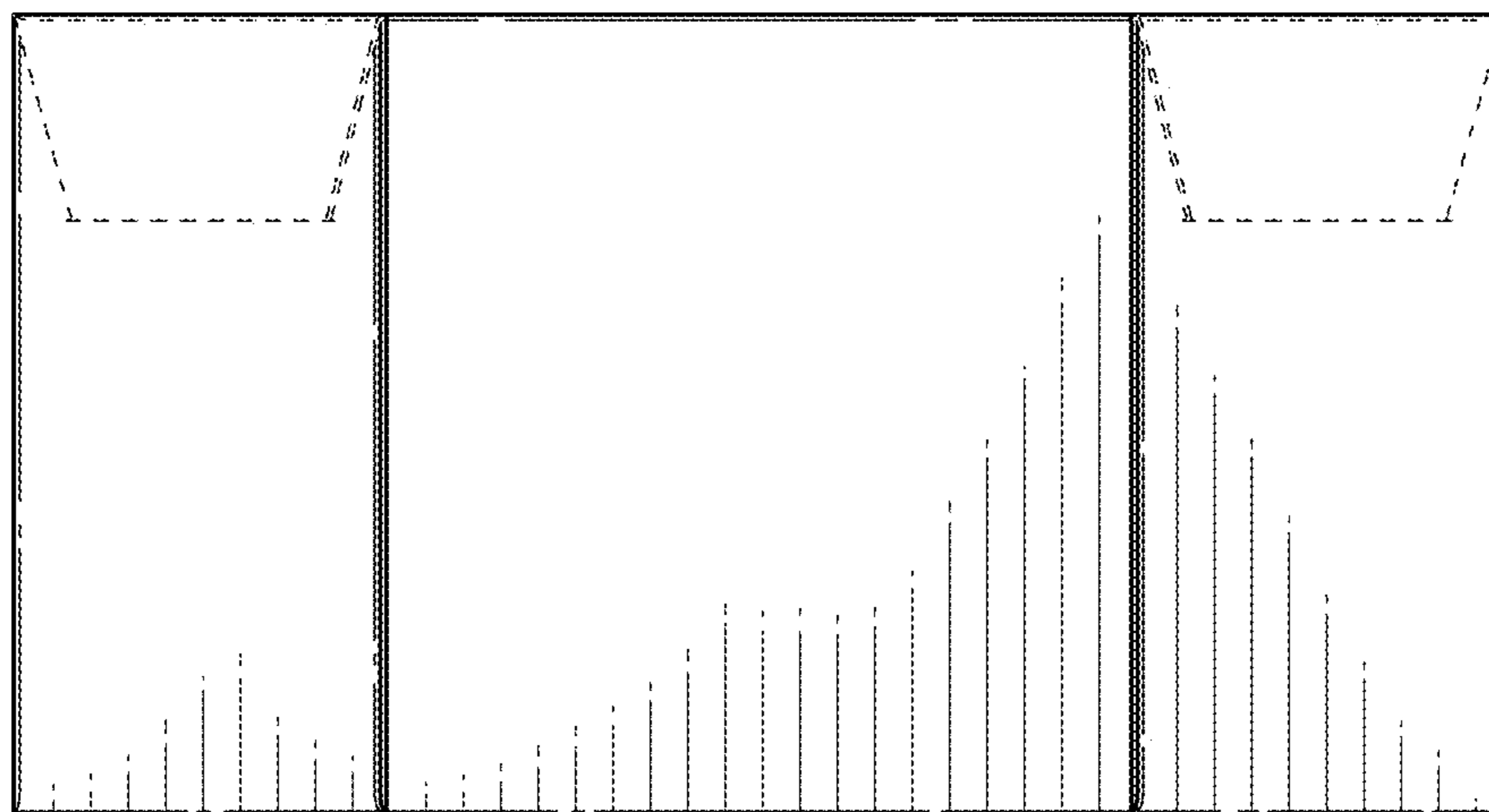


FIG. 5

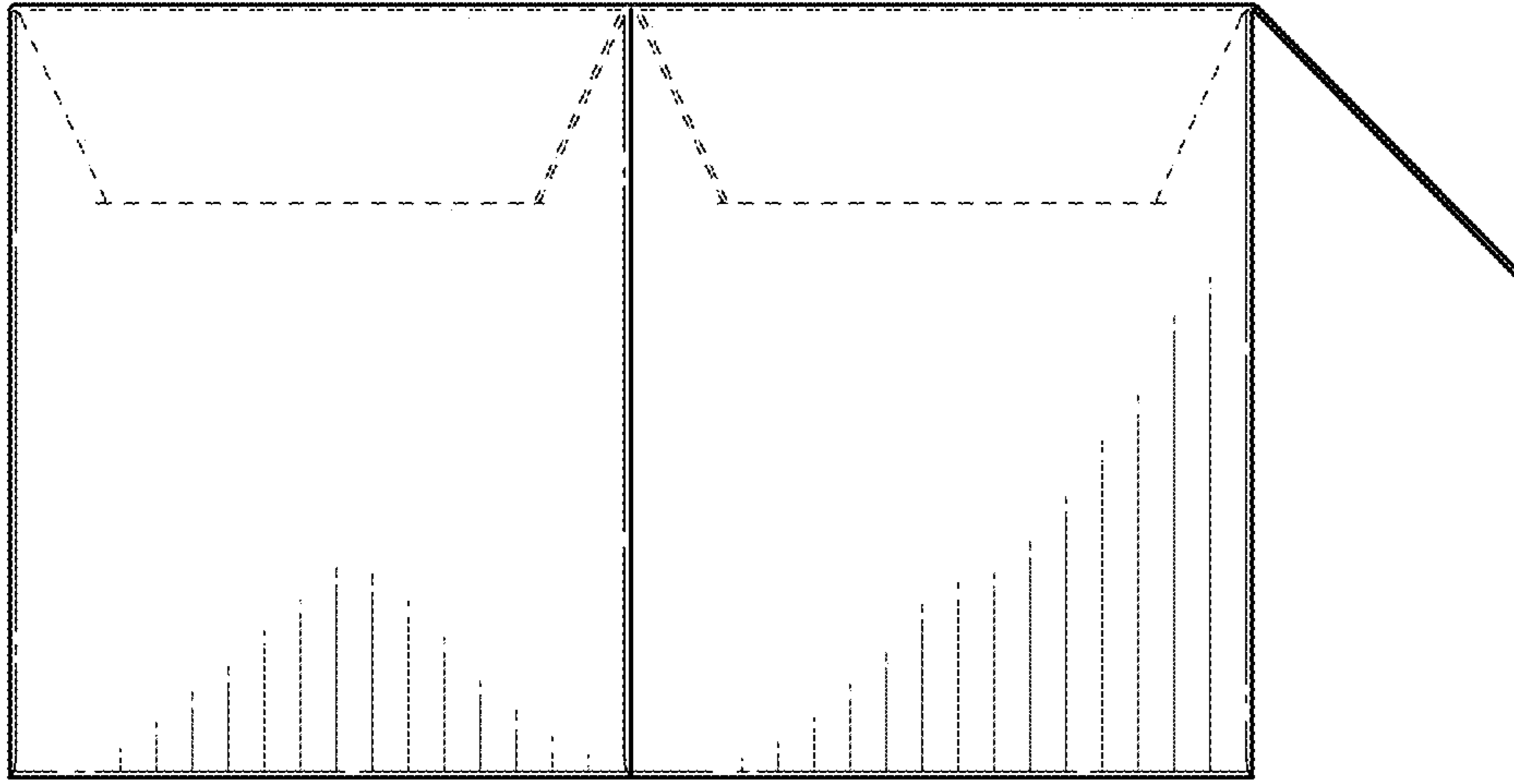


FIG. 6

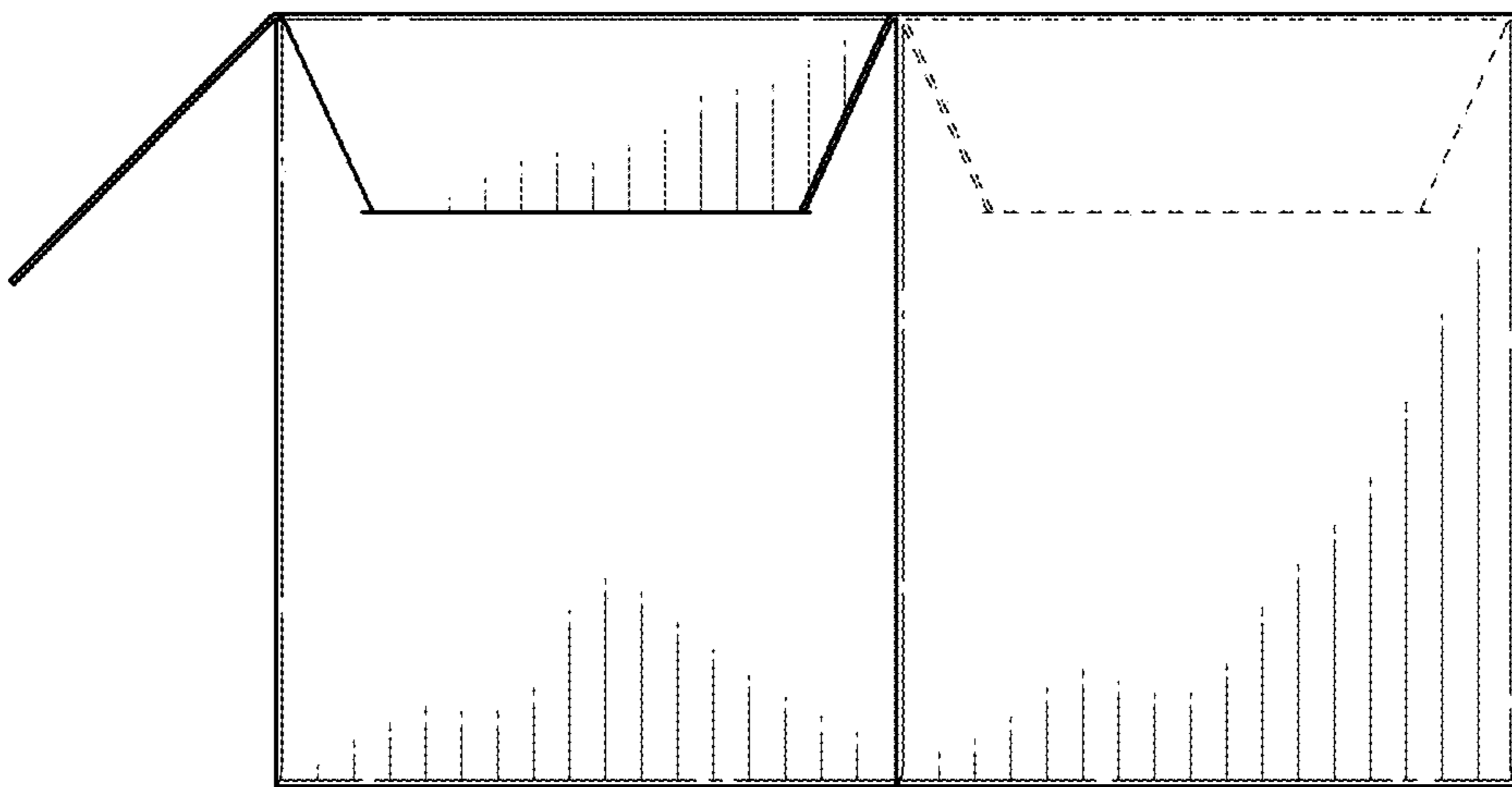


FIG. 7

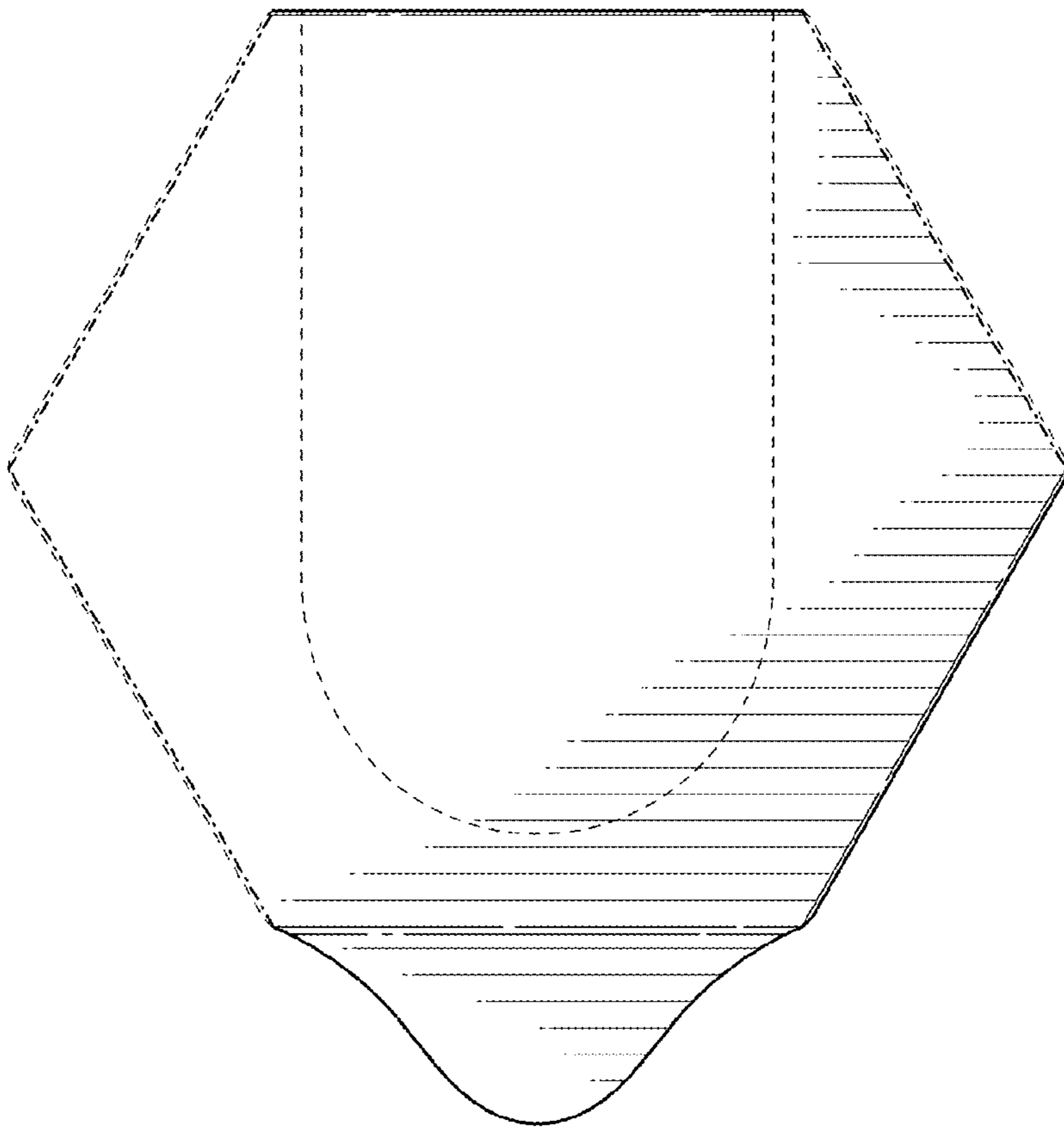


FIG. 8

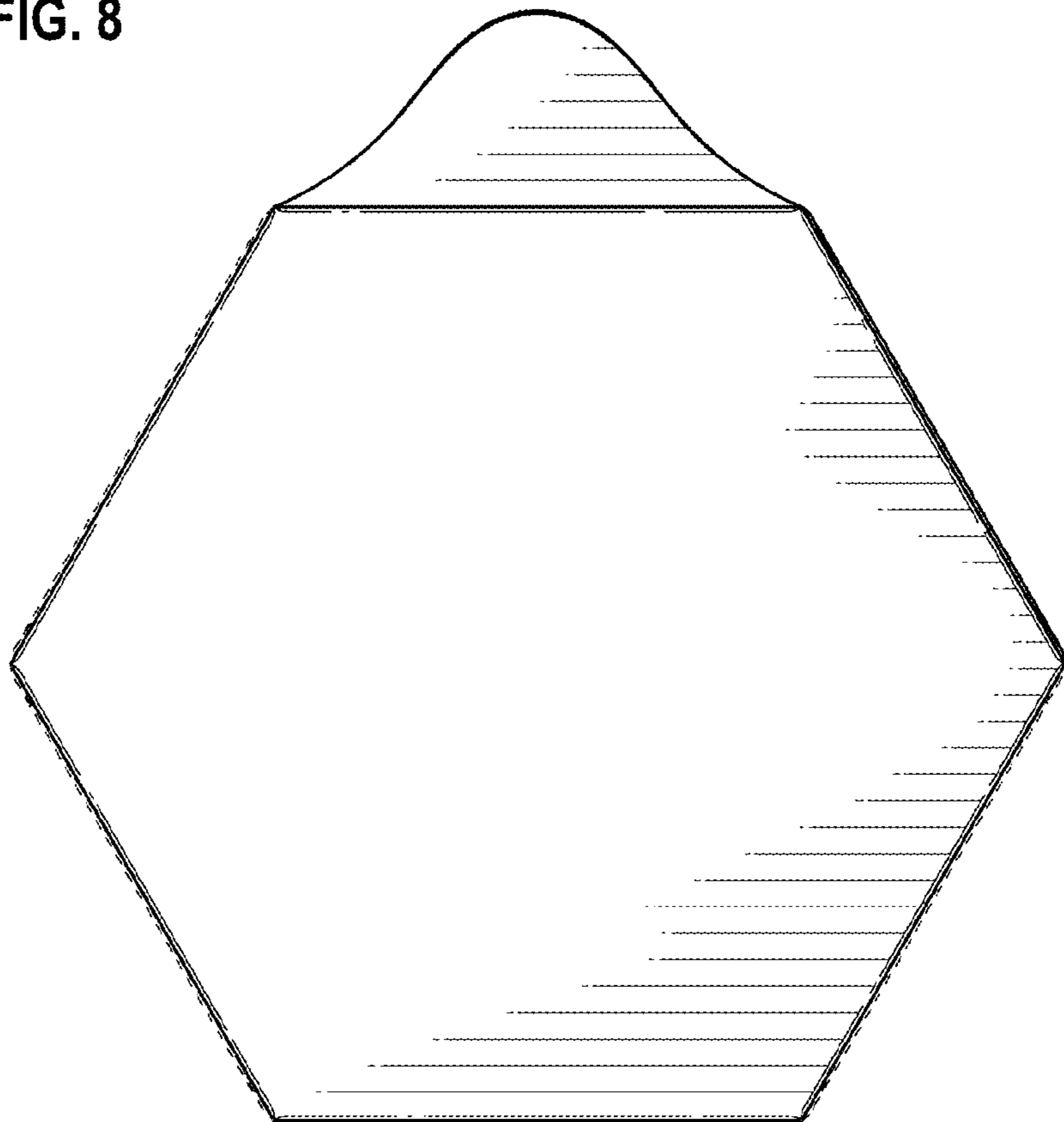


FIG. 9

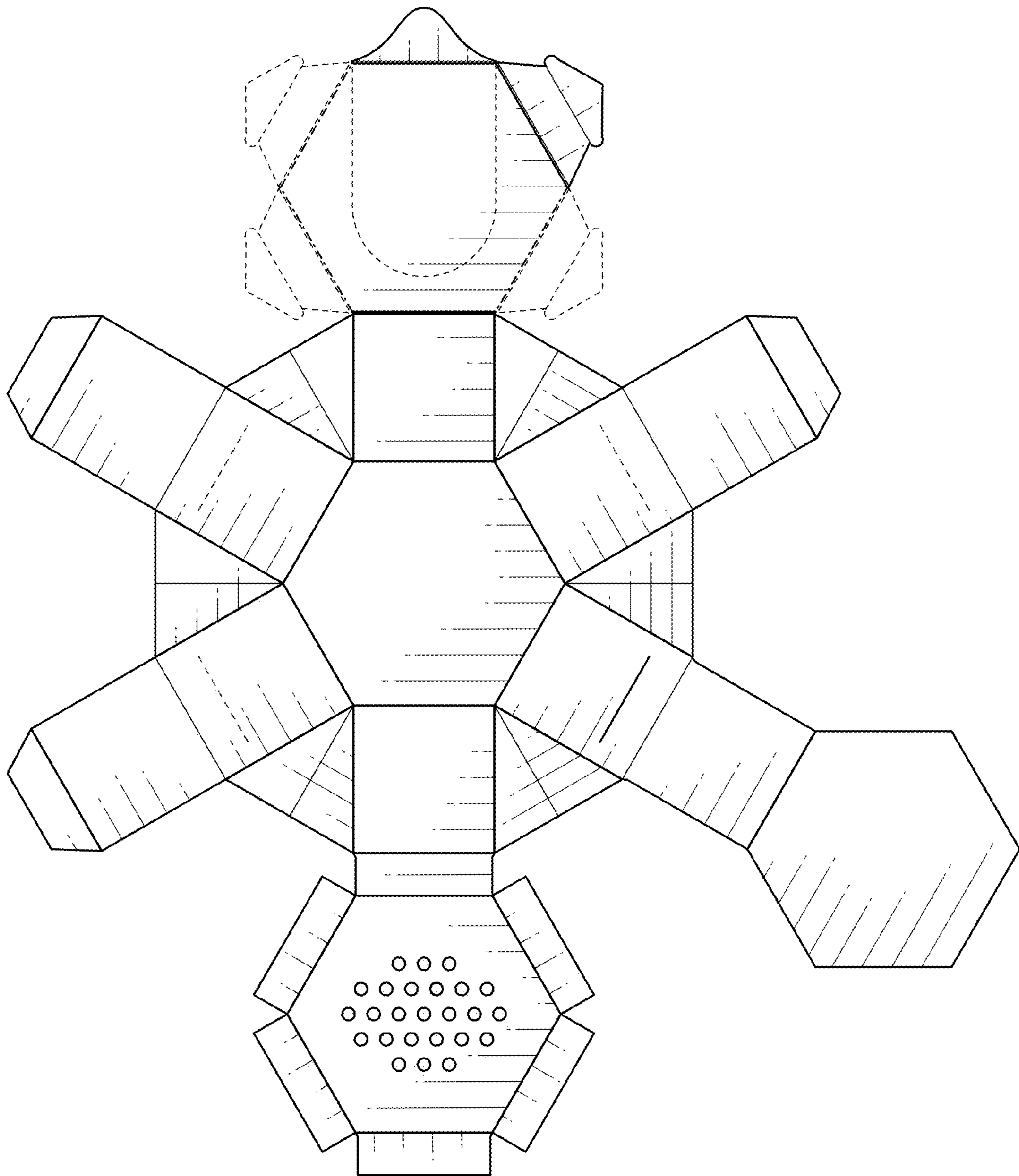


FIG. 10