



US00D875518S

(12) **United States Design Patent** (10) **Patent No.:** **US D875,518 S**
Giwani (45) **Date of Patent:** **** Feb. 18, 2020**

(54) **CELLULAR PHONE ACCESSORY PACKAGE**

(71) Applicant: **WARNER WIRELESS INT'L INC,**
Dallas, TX (US)

(72) Inventor: **James Giwani,** Dallas, TX (US)

(73) Assignee: **Warner Wireless Int'l Inc,** Dallas, TX
(US)

(**) Term: **15 Years**

(21) Appl. No.: **29/650,275**

(22) Filed: **Jun. 5, 2018**

(51) **LOC (12) Cl.** **09-03**

(52) **U.S. Cl.**
USPC **D9/418**

(58) **Field of Classification Search**
USPC D9/414, 415, 418, 423, 424, 431, 432,
D9/457, 708, 715, 721, 734, 737;
D14/204, 223; D3/201, 218, 226, 294,
D3/295, 319; D8/356
CPC B65D 5/38; B65D 5/503; B65D 5/566;
B65D 5/2033; B65D 5/4204; B65D
5/5028; B65D 5/5038; B65D 7/06; B65D
43/00; B65D 43/163; B65D 81/00; B65D
81/03; B65D 81/36; B65D 81/022; B65D
81/025; B65D 81/3453; B65D 2585/86;
B65D 2585/684; B65D 2585/6835; B65D
2585/6842; B65D 1/22; B65H 75/48;
B65H 75/4428; B65H 75/4431; H04R
1/02; H04R 1/10; H04R 1/1003
See application file for complete search history.

(56) **References Cited**

U.S. PATENT DOCUMENTS

D281,033 S * 10/1985 Mohri D3/295
4,942,617 A 7/1990 Boylan
D397,865 S * 9/1998 Lin D3/218
5,984,224 A * 11/1999 Yang B65H 75/4473
242/400.1

D493,335 S * 7/2004 Armato D7/629
D533,387 S * 12/2006 Huang D6/632
D609,900 S 2/2010 Behar et al.
D620,257 S * 7/2010 Fujimura D3/294
D659,991 S * 5/2012 Long, Jr. D3/201
D669,774 S * 10/2012 Yamaguchi D9/418
D672,660 S * 12/2012 Vural D9/721
D685,771 S * 7/2013 Bertenthal D14/223
D694,101 S * 11/2013 Radomyselski D9/415
8,590,703 B2 * 11/2013 Tierney B65D 65/04
150/154

(Continued)

Primary Examiner — Wan Laymon

Assistant Examiner — Clint A Samuel

(74) *Attorney, Agent, or Firm* — Scott T. Griggs; Griggs
Bergen LLP

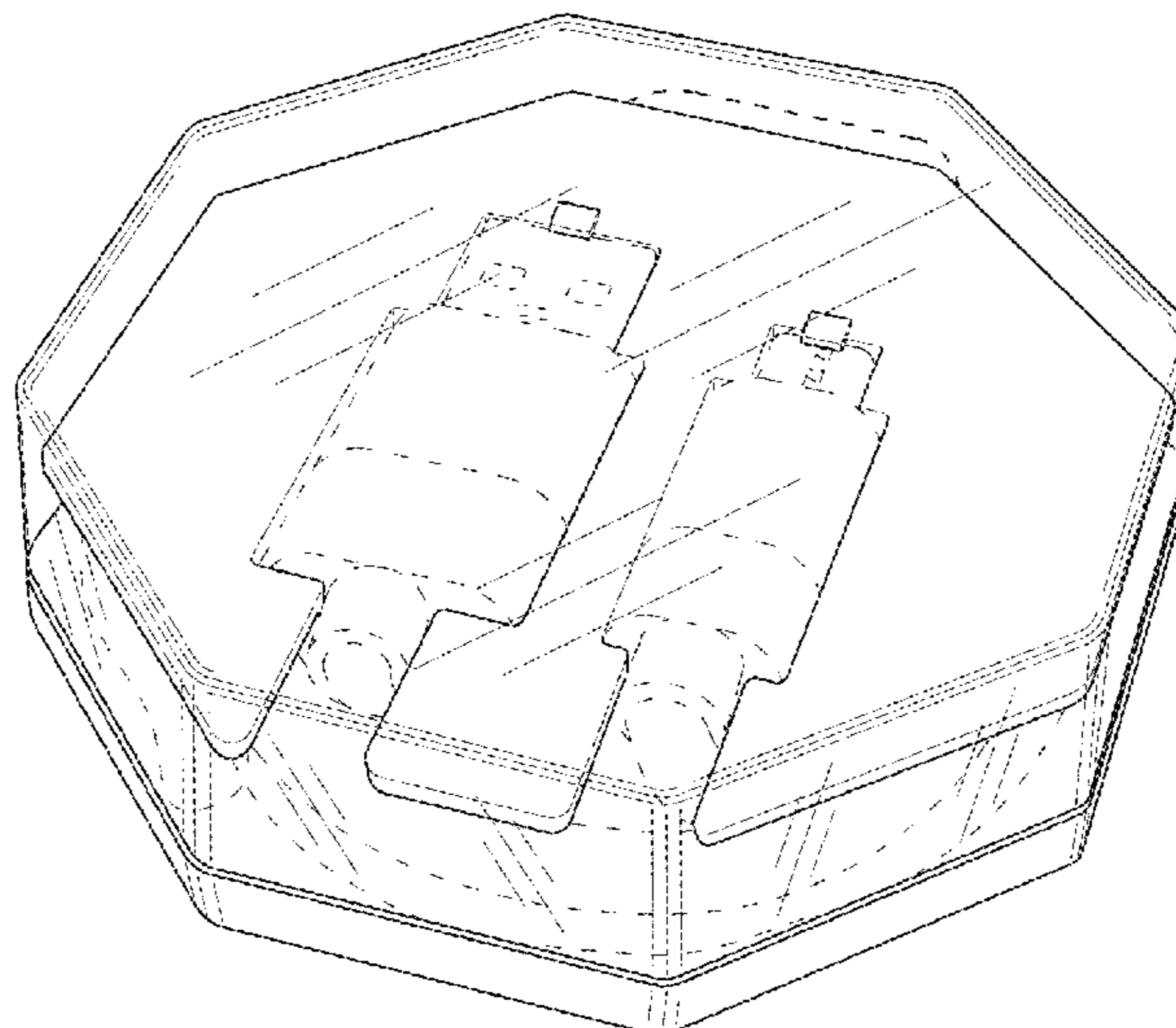
(57) **CLAIM**

The ornamental design for a cellular phone accessory pack-
age, as shown and described.

DESCRIPTION

FIG. 1 is a front perspective view of a cellular phone
accessory package;
FIG. 2 is an additional front perspective view of the cellular
phone accessory package shown in FIG. 1;
FIG. 3 is a top plan view of the cellular phone accessory
package, with the transparent top shown in FIG. 1 removed
for ease of illustration;
FIG. 4 is a front elevation view of the cellular phone
accessory package, with the transparent top shown in FIG.
1 removed for ease of illustration;
FIG. 5 is a left side elevation view of the cellular phone
accessory package, with the transparent top shown in FIG.
1 removed for ease of illustration; and,
FIG. 6 is a rear elevation view of the cellular phone
accessory package as shown in FIG. 1.
The dashed lines shown are provided for environmental
purposes only and form no part of the claimed design.

1 Claim, 3 Drawing Sheets



(56)

References Cited

U.S. PATENT DOCUMENTS

8,668,160 B2 * 3/2014 Cheng B65H 75/4473
242/400.1
D706,643 S * 6/2014 Akana D9/432
D709,385 S * 7/2014 Vural D9/721
8,774,446 B2 7/2014 Merenda
D722,264 S * 2/2015 Saideh D9/418
D722,497 S * 2/2015 Saideh D9/418
D740,653 S * 10/2015 Akana D9/418
D744,855 S * 12/2015 Akana D9/432
D746,698 S * 1/2016 Akana D9/715
D752,521 S * 3/2016 Place D13/153
D774,760 S * 12/2016 Martinetti D3/294
D793,223 S * 8/2017 Minoli D9/415
D796,968 S * 9/2017 Akana D14/223
D799,316 S * 10/2017 Thain D9/415
D807,761 S * 1/2018 Akana D9/721
D829,551 S * 10/2018 Akana D9/455
D833,887 S * 11/2018 Akana D9/721
D838,480 S * 1/2019 Son D3/294
D840,218 S * 2/2019 Thain D9/415
D844,456 S * 4/2019 O'Neill D9/737
D849,401 S * 5/2019 Akana D3/274
D861,475 S * 10/2019 Giwani D9/418
D861,498 S * 10/2019 Akana D9/721
D862,218 S * 10/2019 Giwani D9/418
D864,713 S * 10/2019 Roberts D9/432
2004/0256188 A1 12/2004 Harcourt
2012/0224739 A1 9/2012 Cataldo et al.
2013/0105342 A1 * 5/2013 Yamamoto H04R 1/1033
206/320
2014/0192995 A1 7/2014 Cataldo et al.
2015/0129702 A1 5/2015 Brennan et al.
2015/0375893 A1 * 12/2015 Korinek B65D 5/503
493/90

* cited by examiner

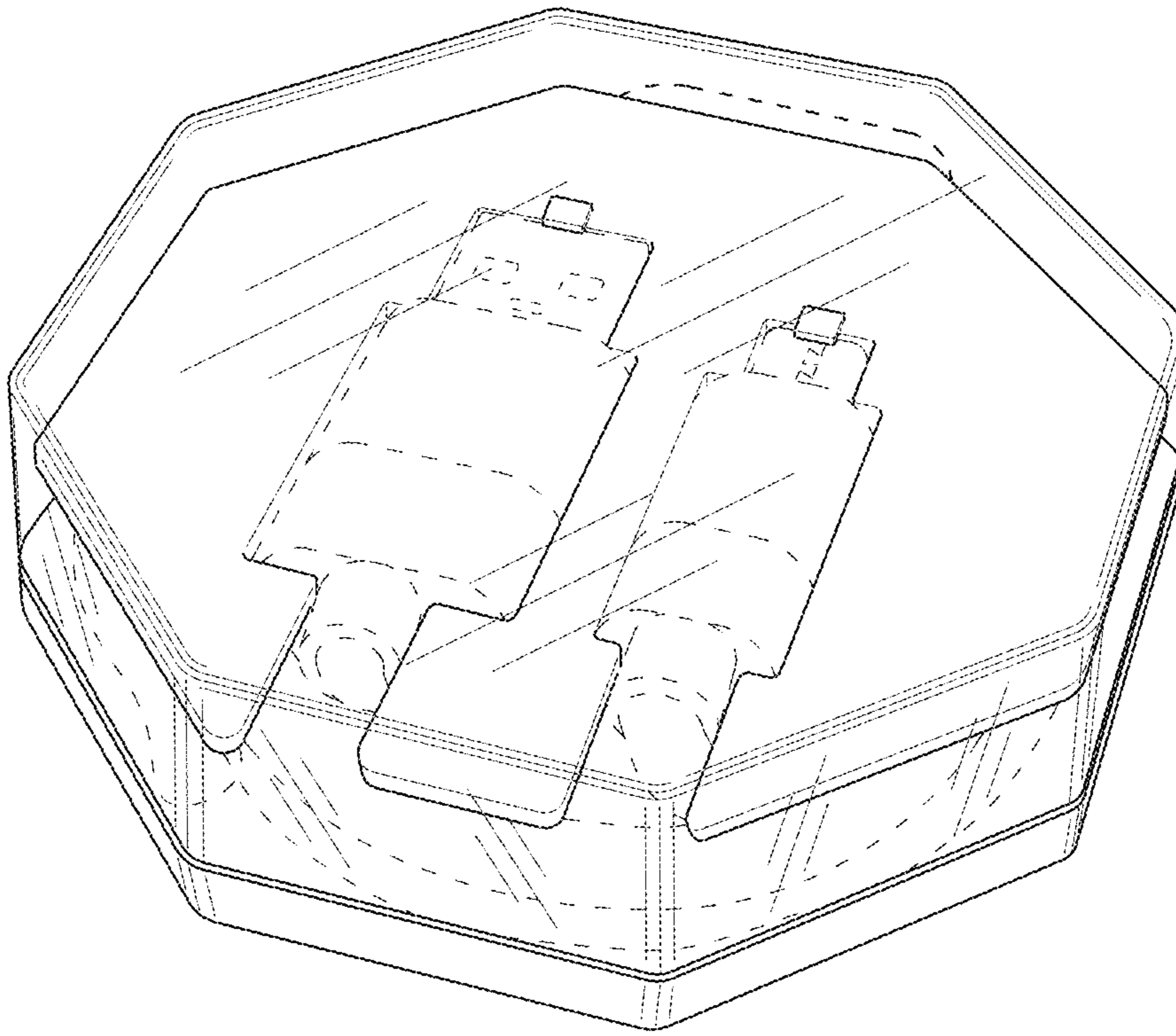


FIG. 1

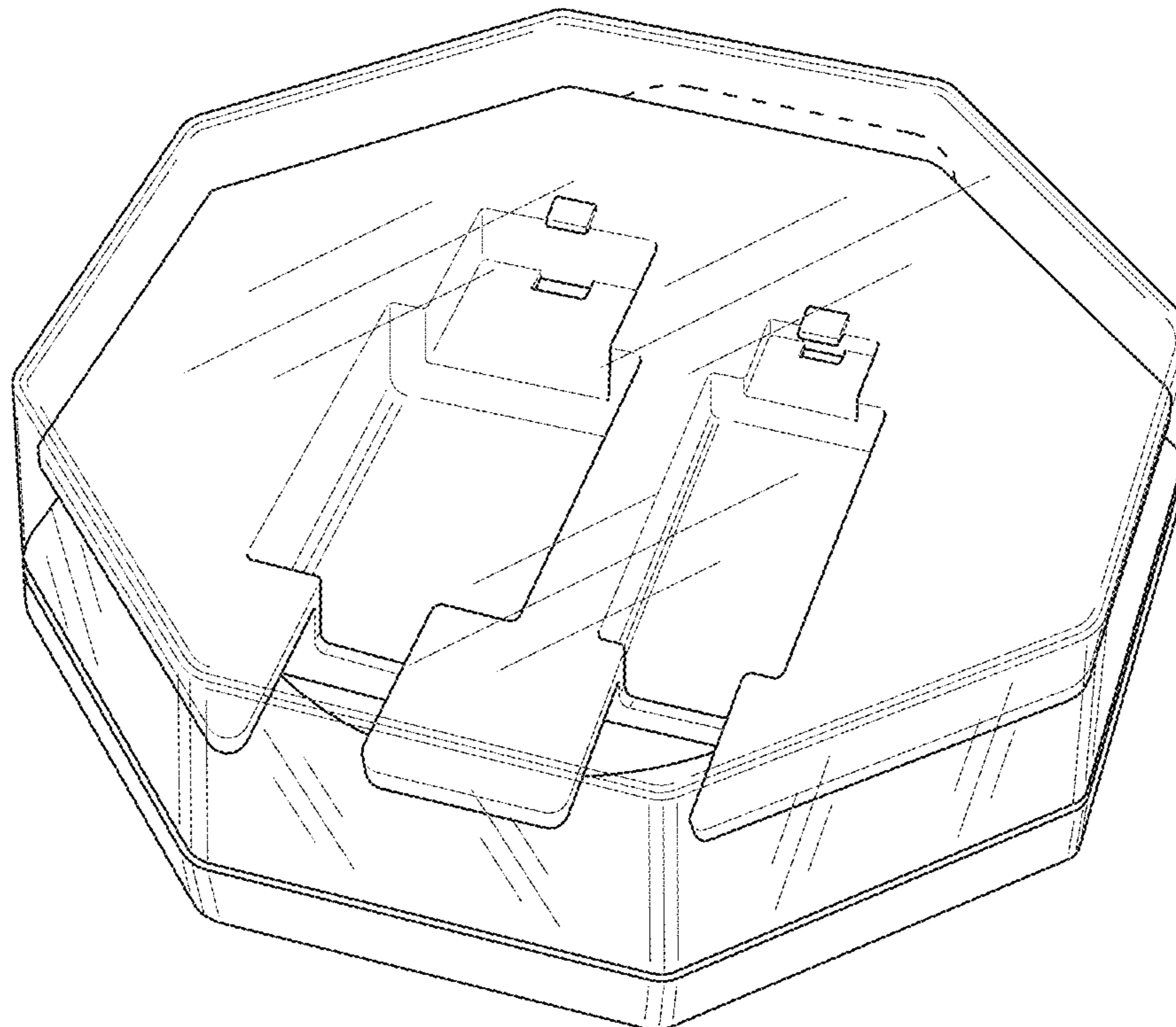


FIG. 2

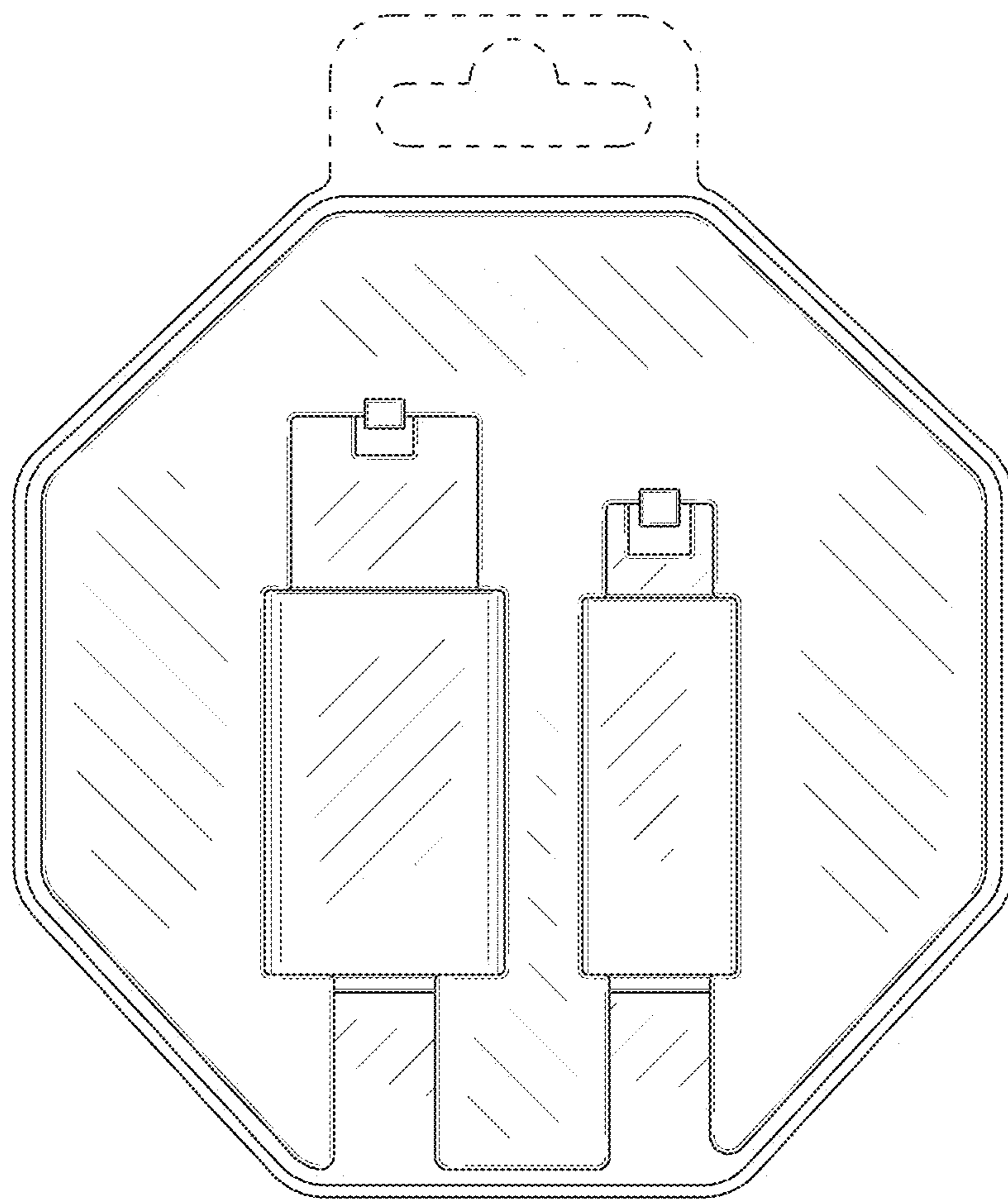


FIG. 3

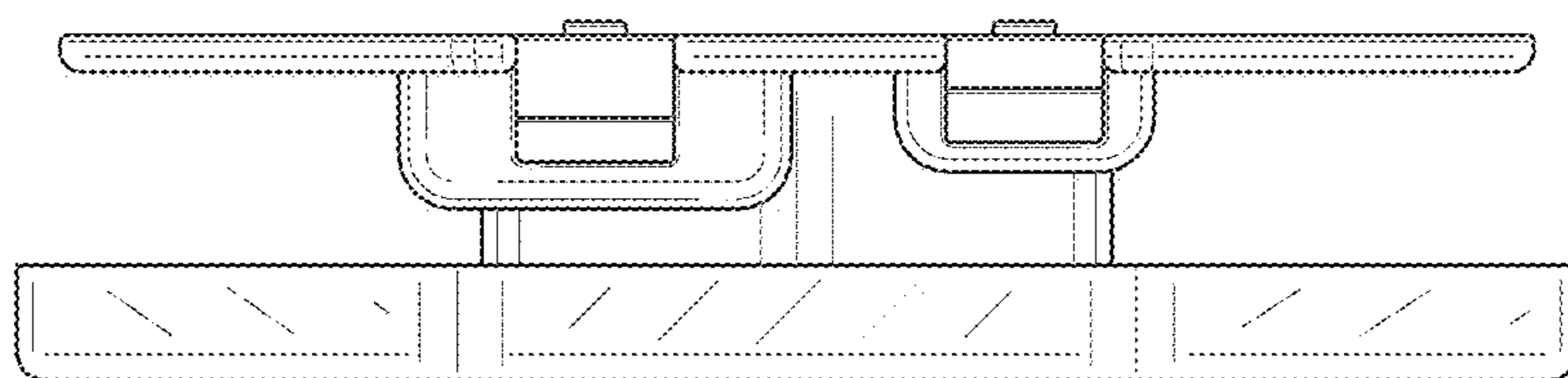


FIG. 4

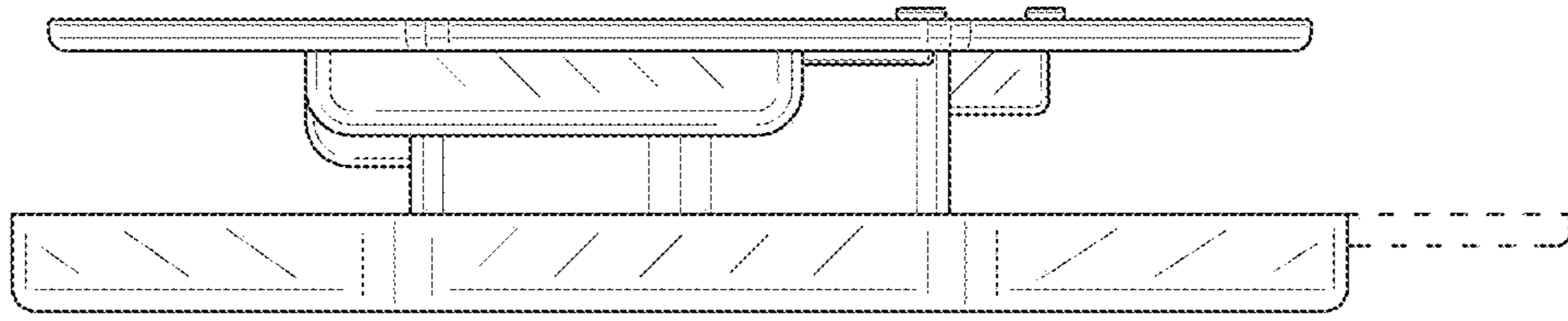


FIG. 5

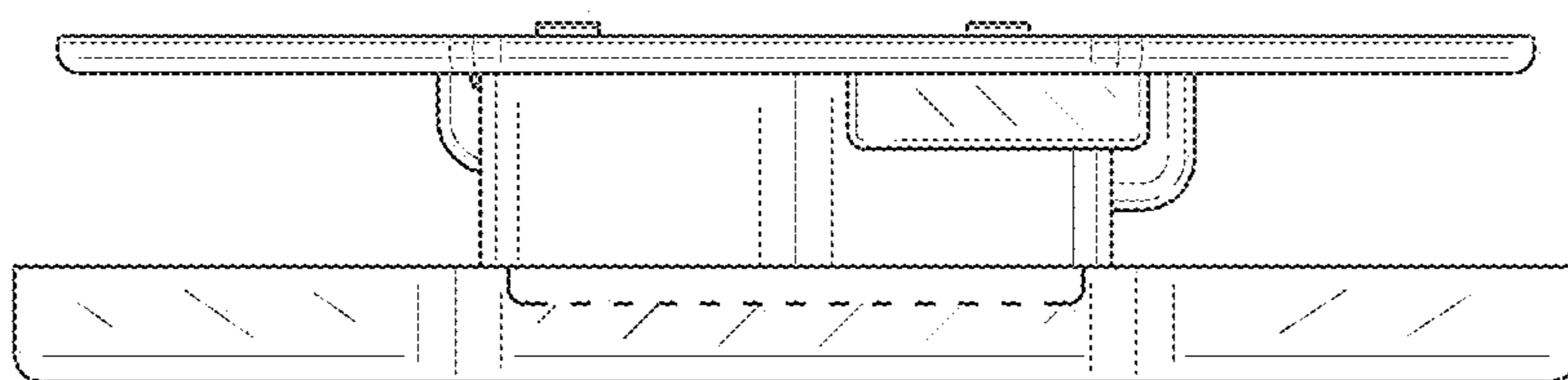


FIG. 6