



US00D875515S

(12) **United States Design Patent**  
**Pretorius et al.**

(10) **Patent No.:** **US D875,515 S**

(45) **Date of Patent:** **\*\* \*Feb. 18, 2020**

(54) **PHOTOVOLTAIC PANEL ROOF MOUNTING CLIP**

(71) Applicant: **Tessolar Inc.**, Cambridge, MA (US)

(72) Inventors: **Jacob Van Reenen Pretorius**, Somerville, MA (US); **Leslie G. Fritzemeier**, Lexington, MA (US); **Malcolm Cummings**, Somerville, MA (US); **Yang Jin**, Somerville, MA (US); **Katherine Hartman**, Cambridge, MA (US); **Alastair Taylor**, Somerville, MA (US); **Michael Everman**, Santa Barbara, CA (US)

(73) Assignee: **Tessolar Inc.**, Woburn, MA (US)

(\*) Notice: This patent is subject to a terminal disclaimer.

(\*\*) Term: **15 Years**

(21) Appl. No.: **29/618,088**

(22) Filed: **Sep. 19, 2017**

(51) **LOC (12) Cl.** ..... **08-08**

(52) **U.S. Cl.**  
USPC ..... **D8/394**

(58) **Field of Classification Search**  
USPC ..... D8/394-396, 71-72, 79; D23/259-265; D6/217; D13/102  
CPC ..... H01L 31/042  
See application file for complete search history.

(56) **References Cited**

U.S. PATENT DOCUMENTS

D35,527 S *	12/1901	Hough	.....	223/92
2,641,808 A *	6/1953	Tinnerman	.....	F16L 3/1236
				24/18
D194,785 S *	3/1963	Sasse	.....	D20/43
D344,638 S *	3/1994	Howes	.....	D6/317
D366,410 S *	1/1996	Schlabach	.....	D25/121
D381,815 S *	8/1997	Louw	.....	D6/317
D457,808 S *	5/2002	Williams	.....	D8/367

D522,852 S *	6/2006	Nawrocki	.....	D8/395
D523,330 S *	6/2006	Mattesky	.....	D8/395
8,495,997 B1 *	7/2013	Laubach	.....	F24S 25/13
				126/680
D688,122 S *	8/2013	Wasco	.....	D8/395
D695,098 S *	12/2013	Hobson	.....	D8/395
D699,536 S *	2/2014	Waddell	.....	D8/395

(Continued)

FOREIGN PATENT DOCUMENTS

CN	304264356	*	9/2017
JP	D1206490	*	5/2004

OTHER PUBLICATIONS

Arlington SC100 Steel Wire Clip For Use With Solar Panel, US Steel website 2019, site visited Mar. 26, 2019, [https://www.usrenewablesolutions.com/arlington-sc100-steel-wire-clip-for-use-with-solar-panel-203460?gclid=CjwKCAjwm-fkBRBBEiwA966fZLOHLvOt7mkdPNc9C1tpKz7EdANo\\_LBZQAQ9pimwPRBvJc7hRtDeMbBoCMRoQAvD\\_BwE.\\*](https://www.usrenewablesolutions.com/arlington-sc100-steel-wire-clip-for-use-with-solar-panel-203460?gclid=CjwKCAjwm-fkBRBBEiwA966fZLOHLvOt7mkdPNc9C1tpKz7EdANo_LBZQAQ9pimwPRBvJc7hRtDeMbBoCMRoQAvD_BwE.*)

*Primary Examiner* — John Windmuller

*Assistant Examiner* — John R Yeh

(74) *Attorney, Agent, or Firm* — Loginov & Associates, PLLC; William A. Loginov

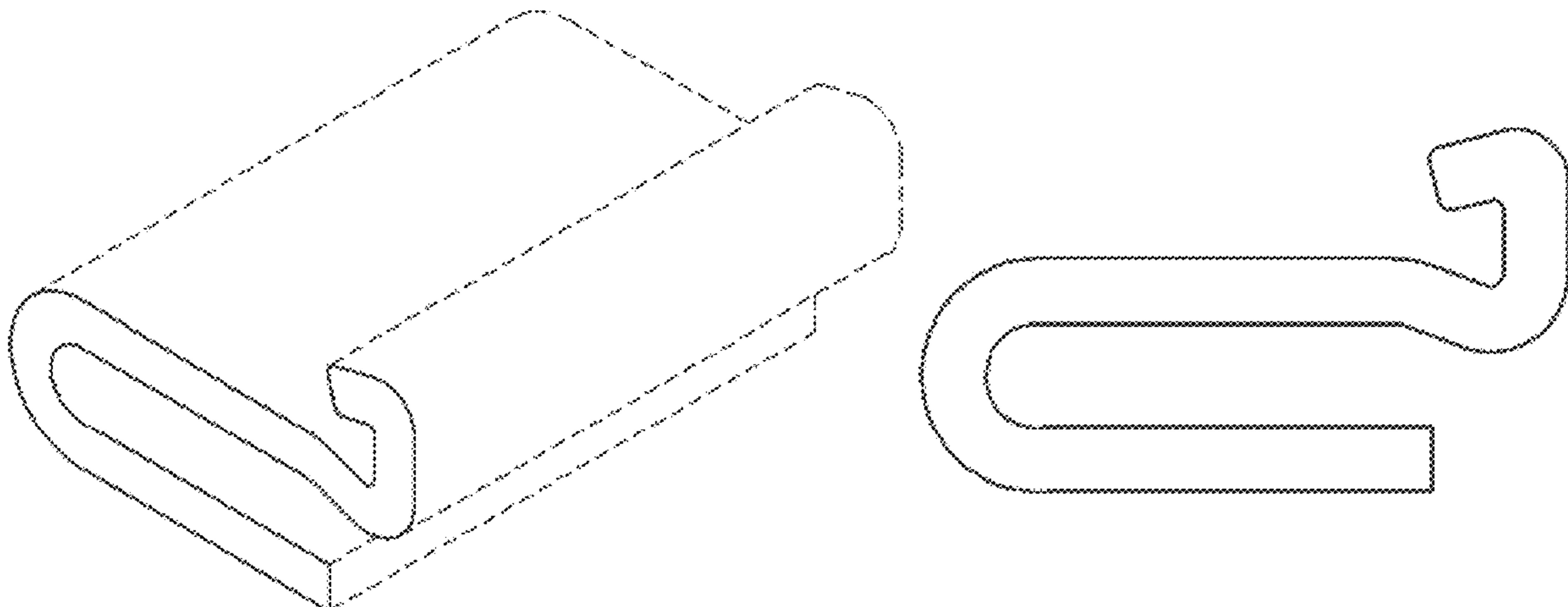
(57) **CLAIM**

The ornamental design for a photovoltaic panel roof mounting clip, substantially as shown.

**DESCRIPTION**

FIG. 1 is a perspective view of our design for a photovoltaic panel roof mounting clip;  
FIG. 2 is a front view thereof;  
FIG. 3 is a rear view thereof;  
FIG. 4 is a right side view thereof;  
FIG. 5 is a left side view thereof;  
FIG. 6 is a top view thereof; and,  
FIG. 7 is a bottom perspective view thereof.

(Continued)



The broken line elements in all views are for illustrative and environmental purposes only and form no part of the claimed design.

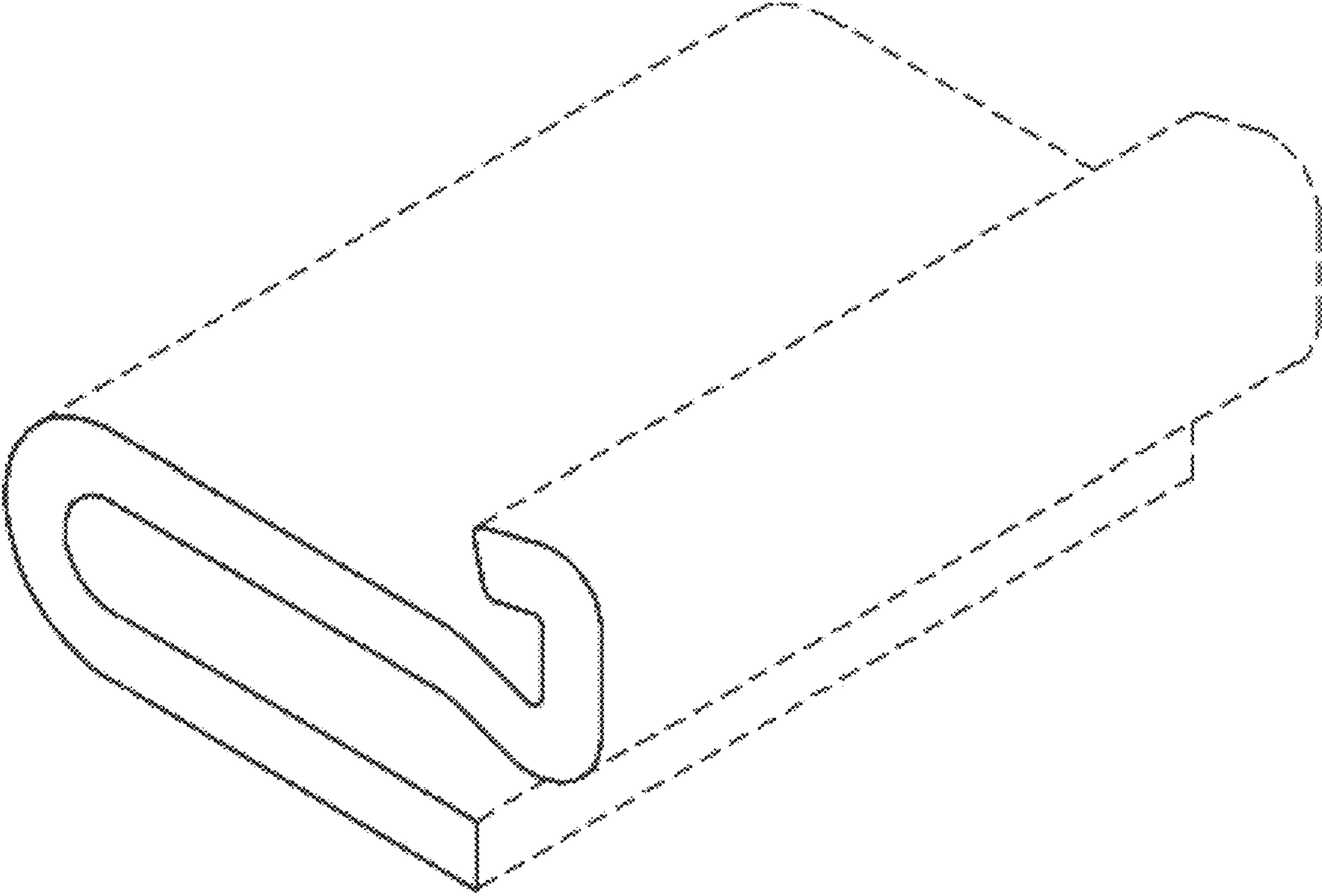
**1 Claim, 5 Drawing Sheets**

(56) **References Cited**

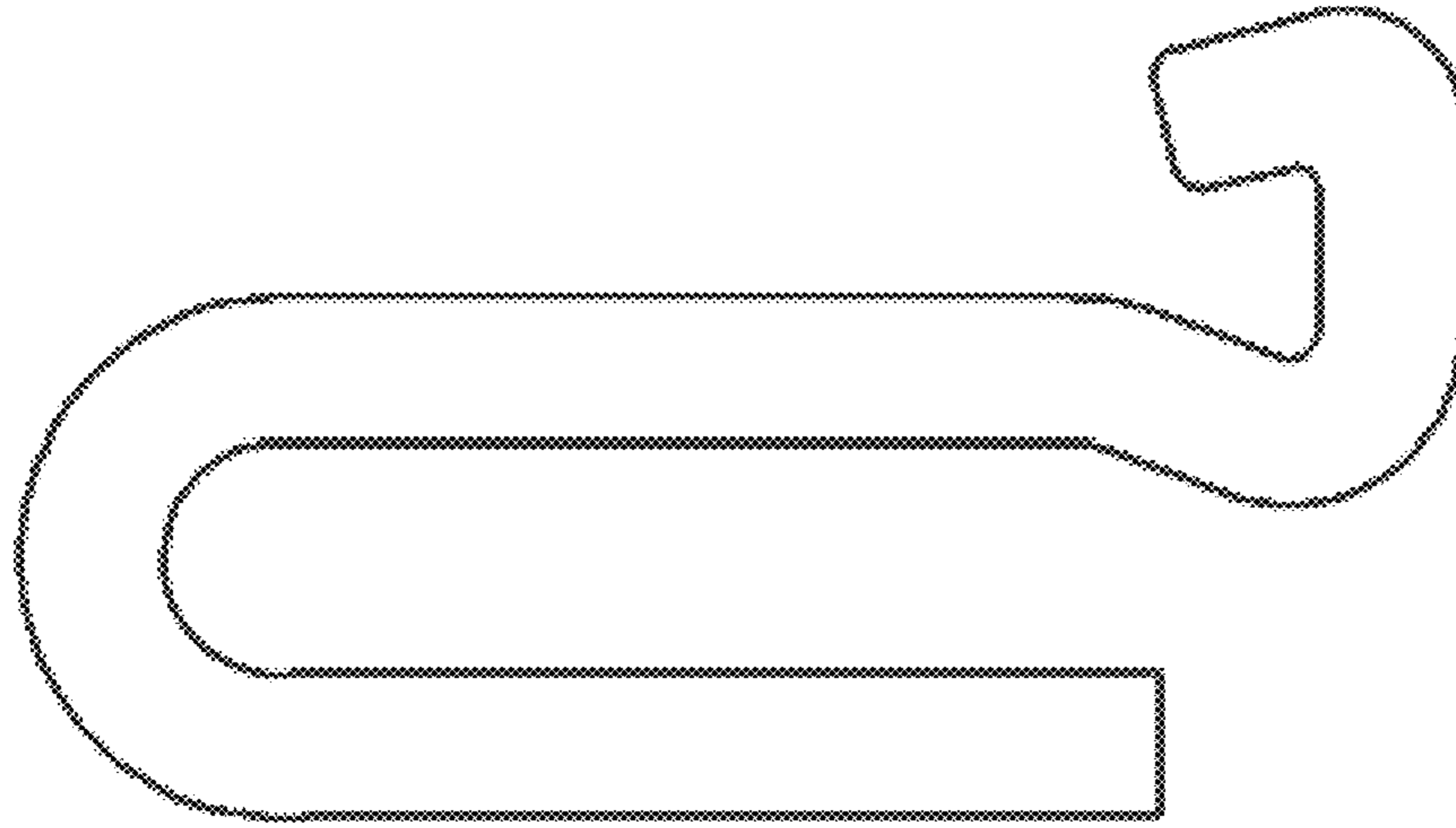
U.S. PATENT DOCUMENTS

D706,125	S	*	6/2014	Wendt	.....	D25/119
D730,164	S	*	5/2015	Paulick	.....	D8/382
D770,887	S	*	11/2016	Sudol	.....	D8/395
9,496,820	B2		11/2016	Seery et al.		
D781,571	S	*	3/2017	Moerer	.....	D3/215
D781,693	S	*	3/2017	Roan	.....	D8/394
D787,925	S	*	5/2017	Moerer	.....	D11/208
D824,756	S	*	8/2018	Fischer	.....	D8/395
D837,143	S	*	1/2019	Sade	.....	D13/102
2010/0254123	A1	*	10/2010	Brown	.....	A42B 1/24 362/191
2014/0220834	A1	*	8/2014	Rizzo	.....	H01L 31/042 439/834
2014/0230877	A1		8/2014	Goldberg et al.		
2015/0280638	A1		10/2015	Stephan et al.		
2016/0142006	A1		5/2016	Meine et al.		
2017/0356123	A1	*	12/2017	Sopoliga	.....	D06F 59/06

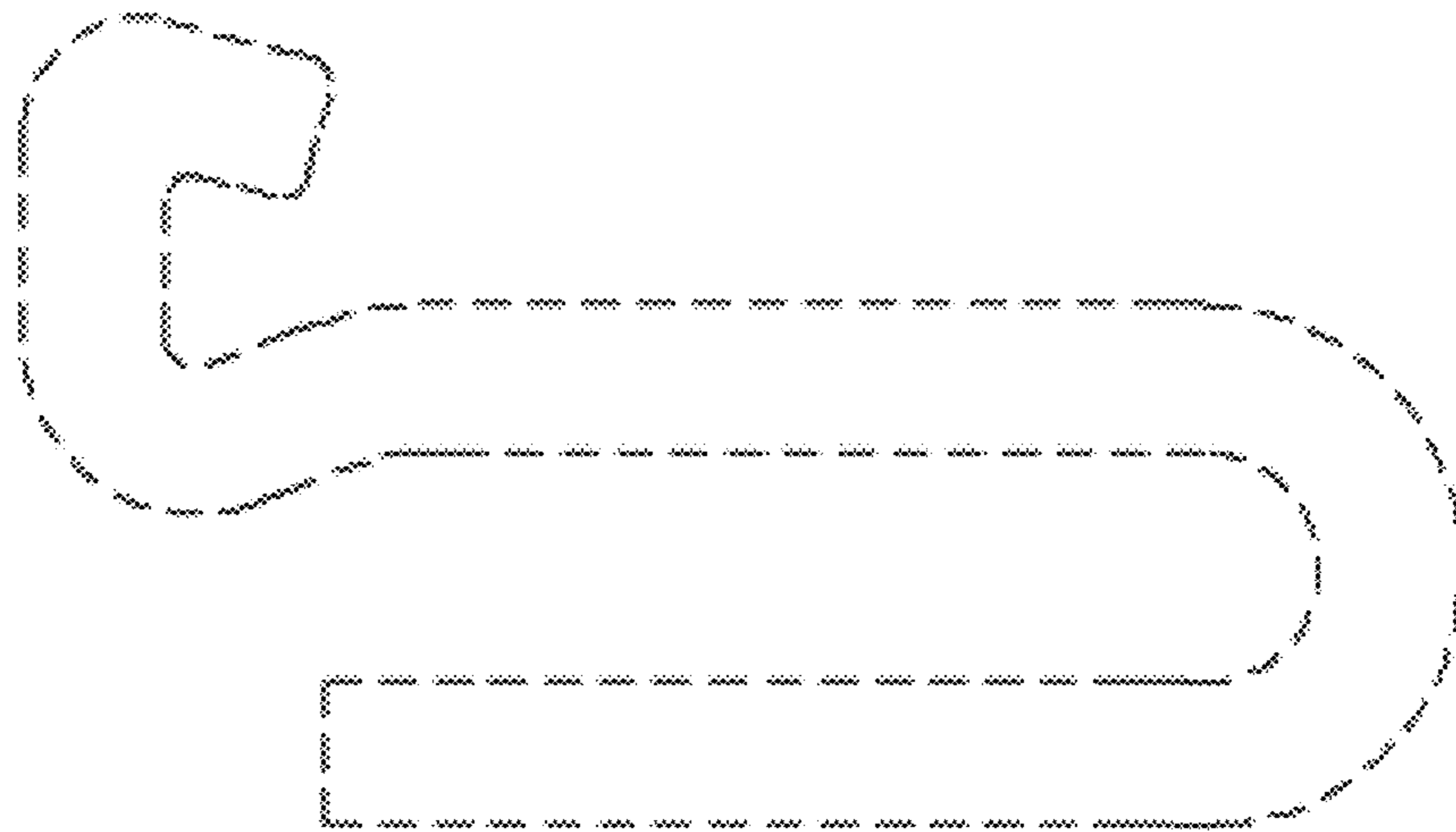
\* cited by examiner



*Fig. 1*



*Fig. 2*



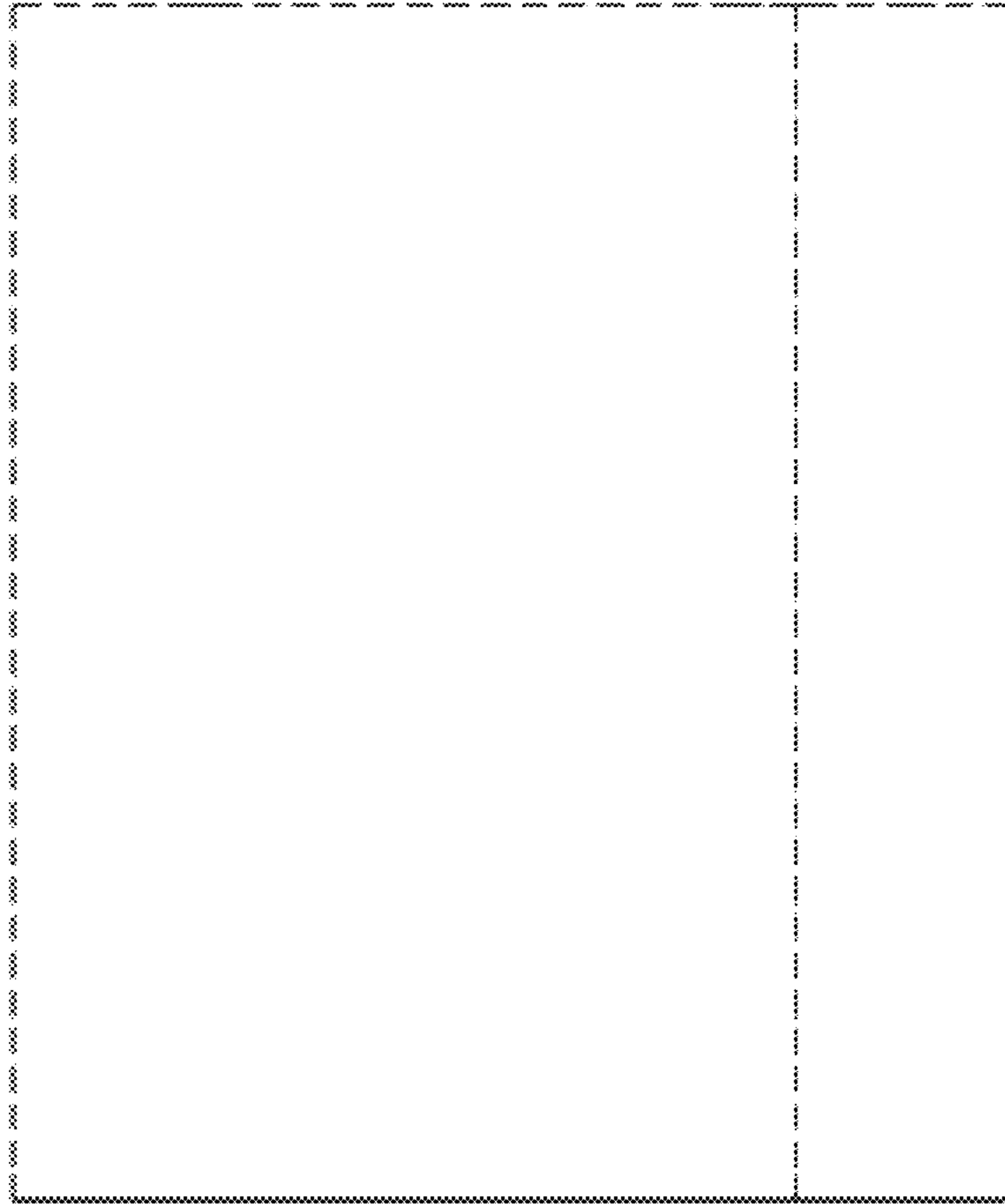
*Fig. 3*



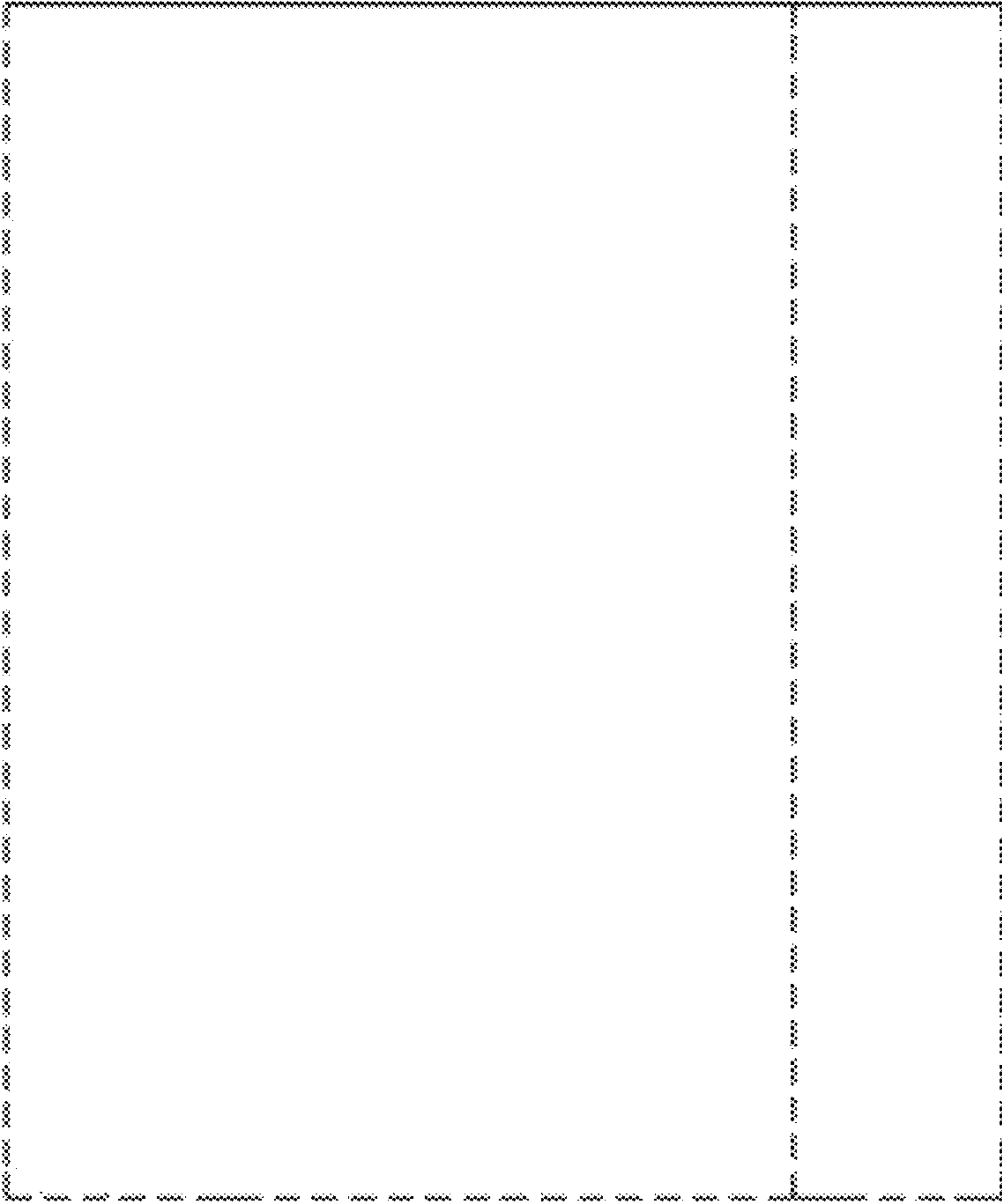
**Fig. 4**



**Fig. 5**



*Fig. 6*



*Fig. 7*