



US00D875514S

(12) **United States Design Patent**
Zhang

(10) **Patent No.:** **US D875,514 S**

(45) **Date of Patent:** **** Feb. 18, 2020**

- (54) **CONCRETE SCREW WITH RING GROOVE**
- (71) Applicant: **NINGBO ANCHOR FASTENERS INDUSTRIAL CO., LTD., Yuyao (CN)**
- (72) Inventor: **Jinqing Zhang, Yuyao (CN)**
- (73) Assignee: **Ningbo Anchor Fasteners Industrial Co., Ltd., Zhangting, Yuyao, Zhe Jiang Province (CN)**
- (**) Term: **15 Years**
- (21) Appl. No.: **29/633,665**
- (22) Filed: **Jan. 15, 2018**
- (51) **LOC (12) Cl.** **08-08**
- (52) **U.S. Cl.**
USPC **D8/387**
- (58) **Field of Classification Search**
USPC D8/385, 387, 388, 391, 392
CPC .. F16B 23/00; F16B 23/0007; F16B 23/0015;
F16B 23/003; F16B 23/0038; F16B
23/0046; F16B 23/0061; F16B 25/0052;
F16B 25/00; F16B 25/0015; F16B
25/0026; F16B 25/0031; F16B 25/0042;
F16B 33/00; F16B 33/002; F16B 35/005;
F16B 39/282; Y10S 411/91; Y10S
411/914; Y10S 411/919
See application file for complete search history.

(56) **References Cited**

U.S. PATENT DOCUMENTS

- 1,683,501 A * 9/1928 Tobeler B21D 45/006
279/76
- 1,802,560 A * 4/1931 Kerwin F16B 25/0026
408/222
- D390,451 S * 2/1998 Dominguez D8/387
- 6,296,433 B1 * 10/2001 Forsell F16B 25/00
411/386

- 6,619,899 B1 * 9/2003 Gaudron F16B 25/0026
411/386
- 6,976,818 B2 * 12/2005 Levey F16B 33/02
411/310
- D584,137 S * 1/2009 Edge, Jr. D8/387
- D604,600 S * 11/2009 Lesesky D8/387
- D726,531 S * 4/2015 Muzic D8/387
- D760,582 S * 7/2016 Muzic D8/387
- 9,523,383 B2 * 12/2016 Park F16B 25/0057
- D818,807 S * 5/2018 Gomez Garcia D8/387
- 2002/0114682 A1 * 8/2002 Forster F16B 25/00
411/411
- 2003/0053883 A1 * 3/2003 Forster F16B 35/06
411/161
- 2003/0185649 A1 * 10/2003 Mizuno F16B 33/02
411/411
- 2005/0191150 A1 * 9/2005 Bickford F16B 25/0031
411/307

(Continued)

Primary Examiner — Sandra S Snapp

Assistant Examiner — Ieisha N Price

(74) *Attorney, Agent, or Firm* — Muncy, Geissler, Olds & Lowe, P.C.

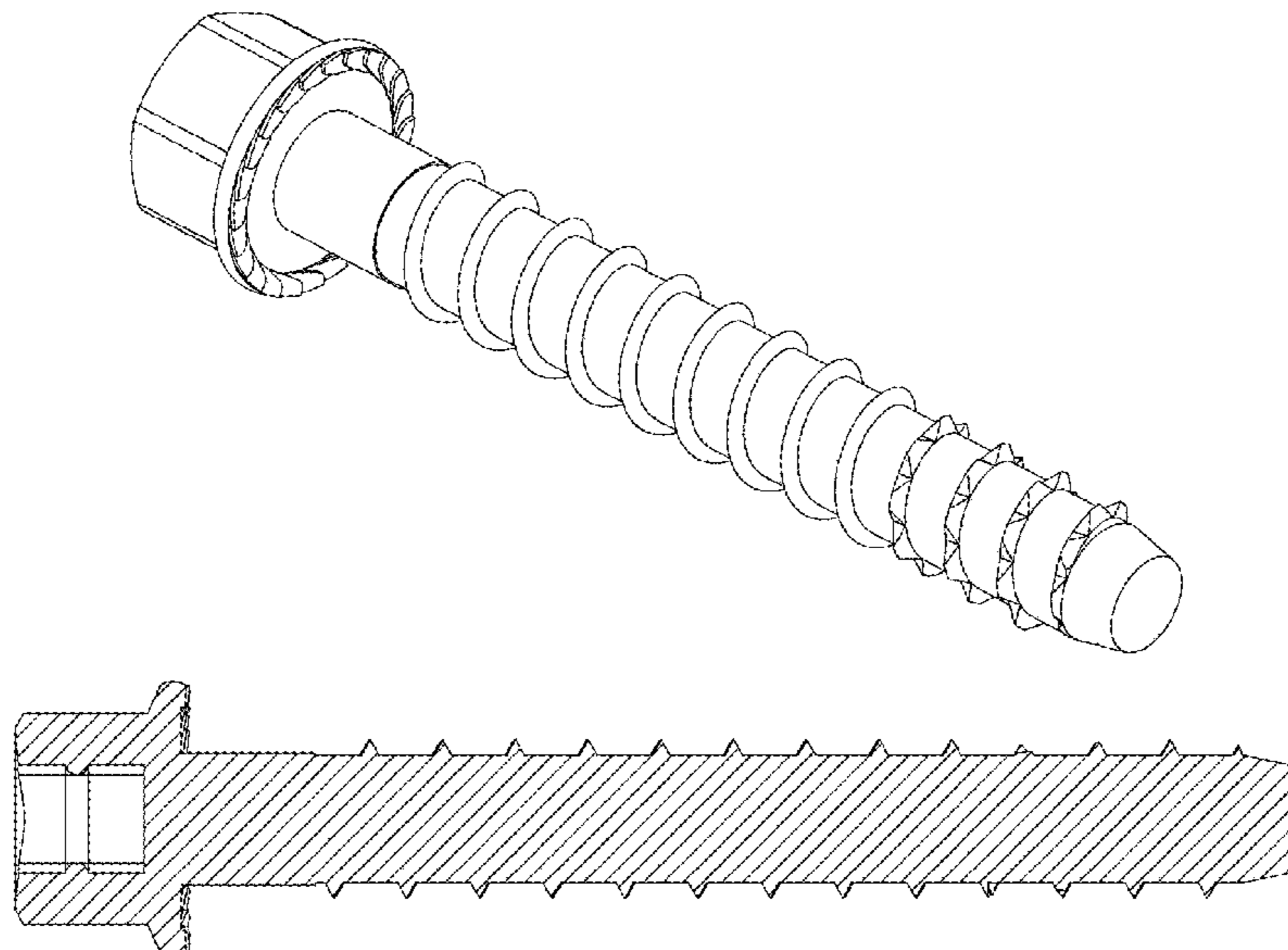
(57) **CLAIM**

The ornamental design for a concrete screw with ring groove, as shown and described.

DESCRIPTION

FIG. 1 is a front elevational view of a concrete screw with ring groove showing my new design;
 FIG. 2 is a rear elevational view thereof;
 FIG. 3 is a left side elevational view thereof;
 FIG. 4 is a right side elevational view thereof;
 FIG. 5 is a top plan view thereof;
 FIG. 6 is a bottom plan view thereof;
 FIG. 7 is a bottom perspective view thereof;
 FIG. 8 is a top perspective view thereof; and,
 FIG. 9 is a cross-sectional view thereof, taken along line 9-9 of FIG. 5.

1 Claim, 9 Drawing Sheets



(56)

References Cited

U.S. PATENT DOCUMENTS

2006/0120826	A1*	6/2006	Wieser	F16B 25/0026	2010/0247267	A1*	9/2010	Bianchi	F16B 25/00
				411/387.4					411/387.4
2007/0297873	A1*	12/2007	Wieser	F16B 1/0071	2011/0027035	A1*	2/2011	Rosenkranz	F16B 1/0071
				411/411					411/8
2008/0019793	A1*	1/2008	Rosenkranz	F16B 25/0026	2011/0076112	A1*	3/2011	Huang	F16B 25/00
				411/82.5					411/412
2008/0050198	A1*	2/2008	Ayrle	F16B 13/002	2011/0142569	A1*	6/2011	Hagel	F16B 25/00
				411/386					411/411
2008/0145182	A1*	6/2008	Gstach	F16B 25/00	2011/0188966	A1*	8/2011	Tsai	F16B 35/04
				411/403					411/412
2009/0022568	A1*	1/2009	Becker	F16B 25/00	2013/0058735	A1*	3/2013	Yu	F16B 25/0026
				411/386					411/386
2009/0092463	A1*	4/2009	Oberndorfer	F16B 25/0026	2013/0302111	A1*	11/2013	Shih	F16B 25/0026
				411/386					411/387.4
2009/0110513	A1*	4/2009	Gahn	F16B 25/0026	2015/0050101	A1*	2/2015	Shih	F16B 35/00
				411/386					411/411
2009/0110514	A1*	4/2009	Huber	F16B 25/0026	2016/0032956	A1*	2/2016	Wu	F16B 25/0026
				411/386					411/387.8
					2018/0209465	A1*	7/2018	Lin	F16B 25/0026
					2018/0266471	A1*	9/2018	You	F16B 35/041

* cited by examiner

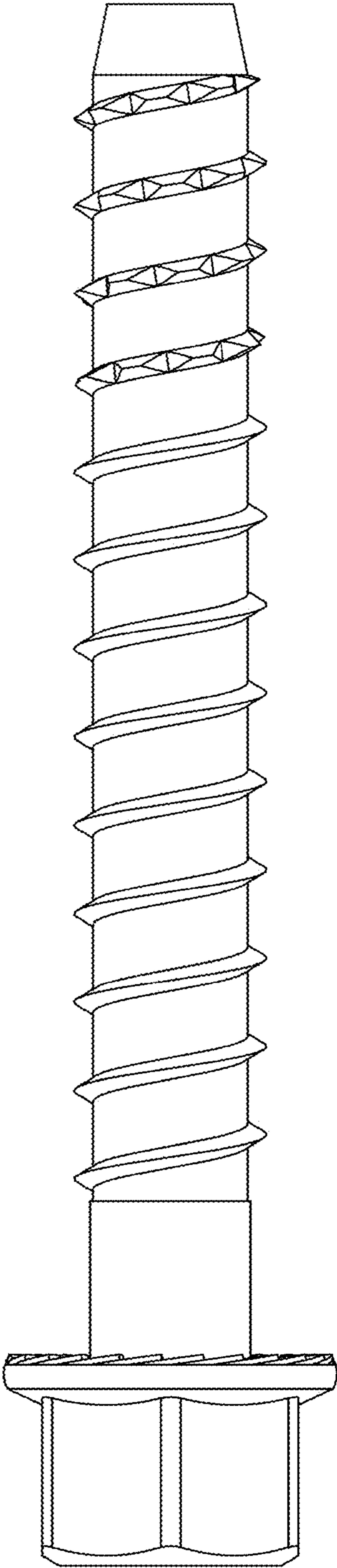


FIG. 1

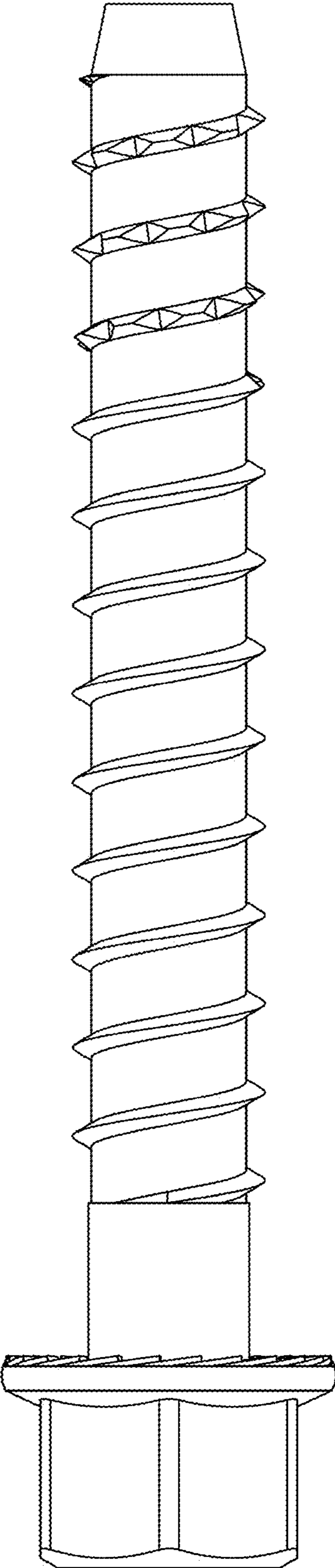


FIG. 2

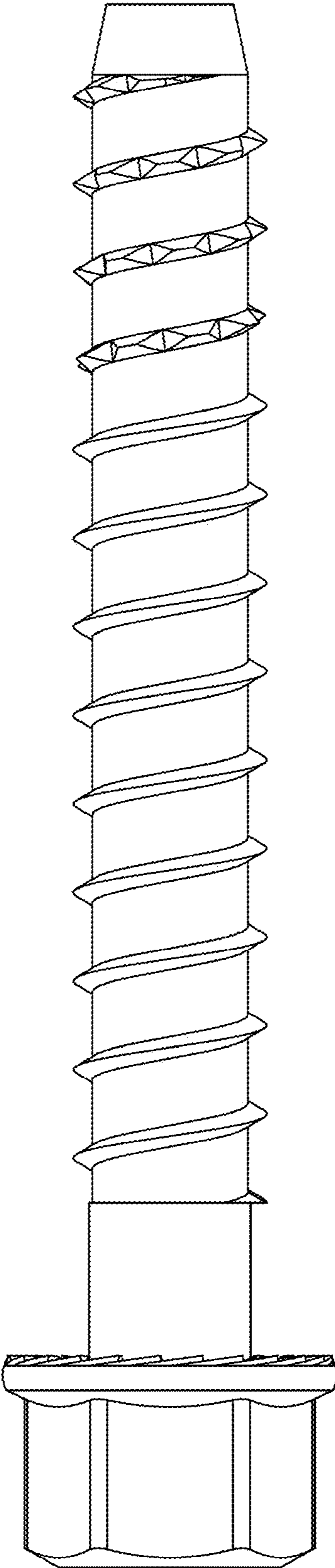


FIG. 3

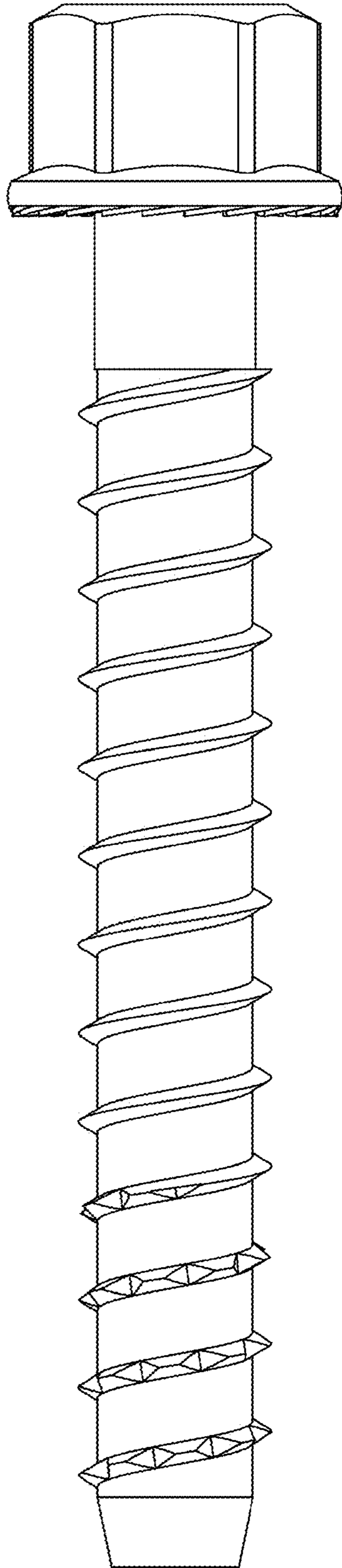


FIG. 4

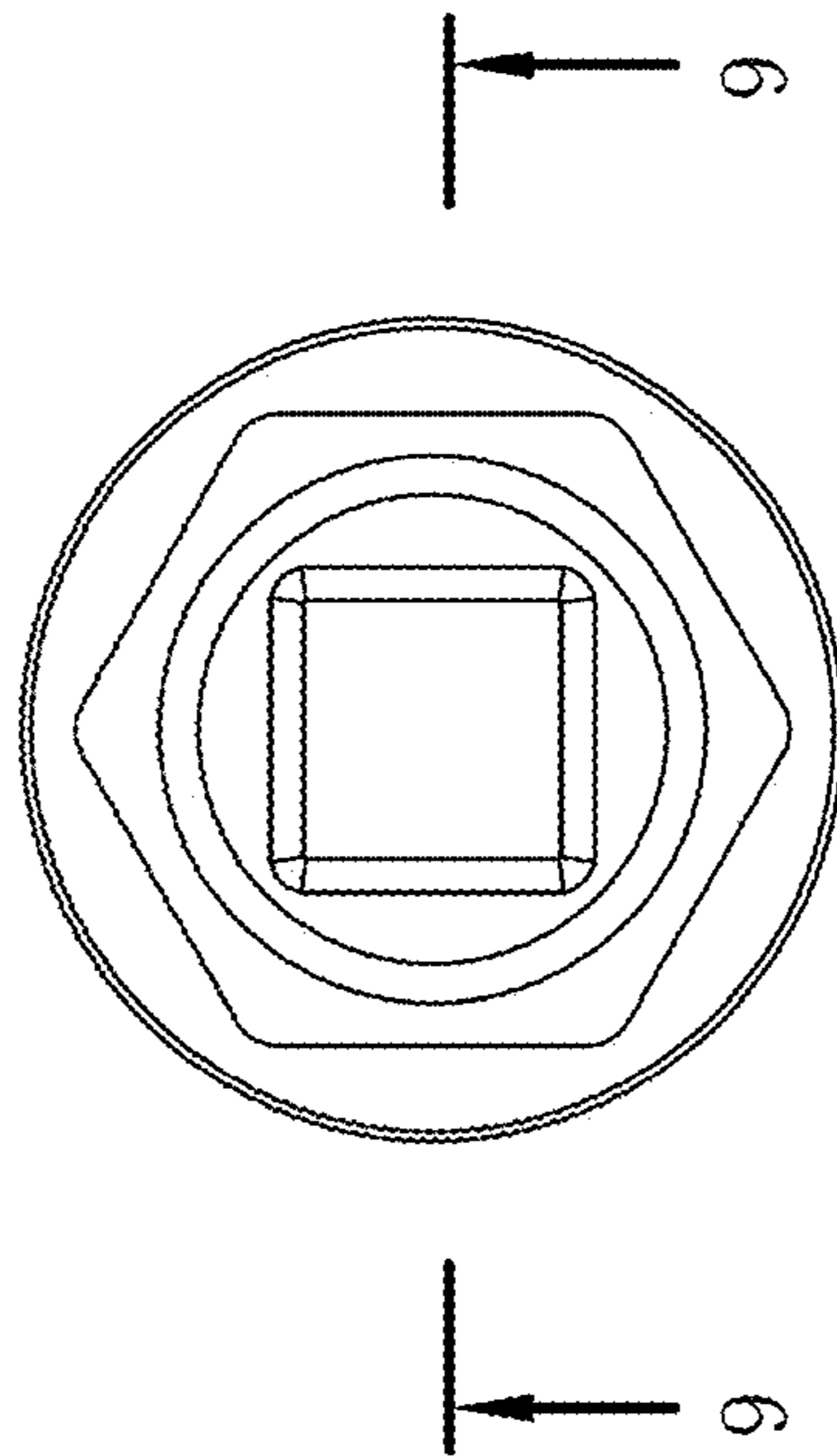


FIG. 5

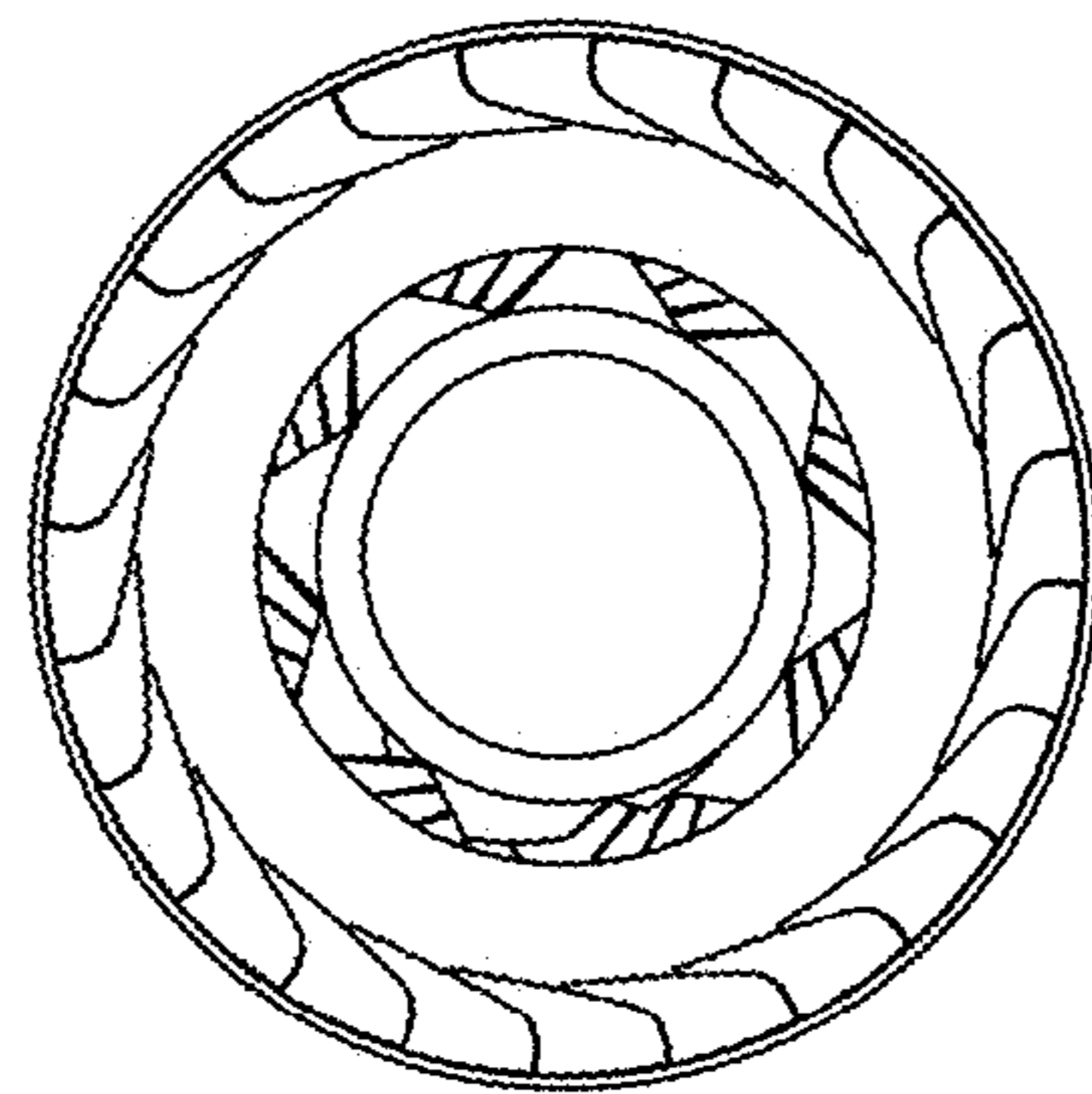


FIG. 6

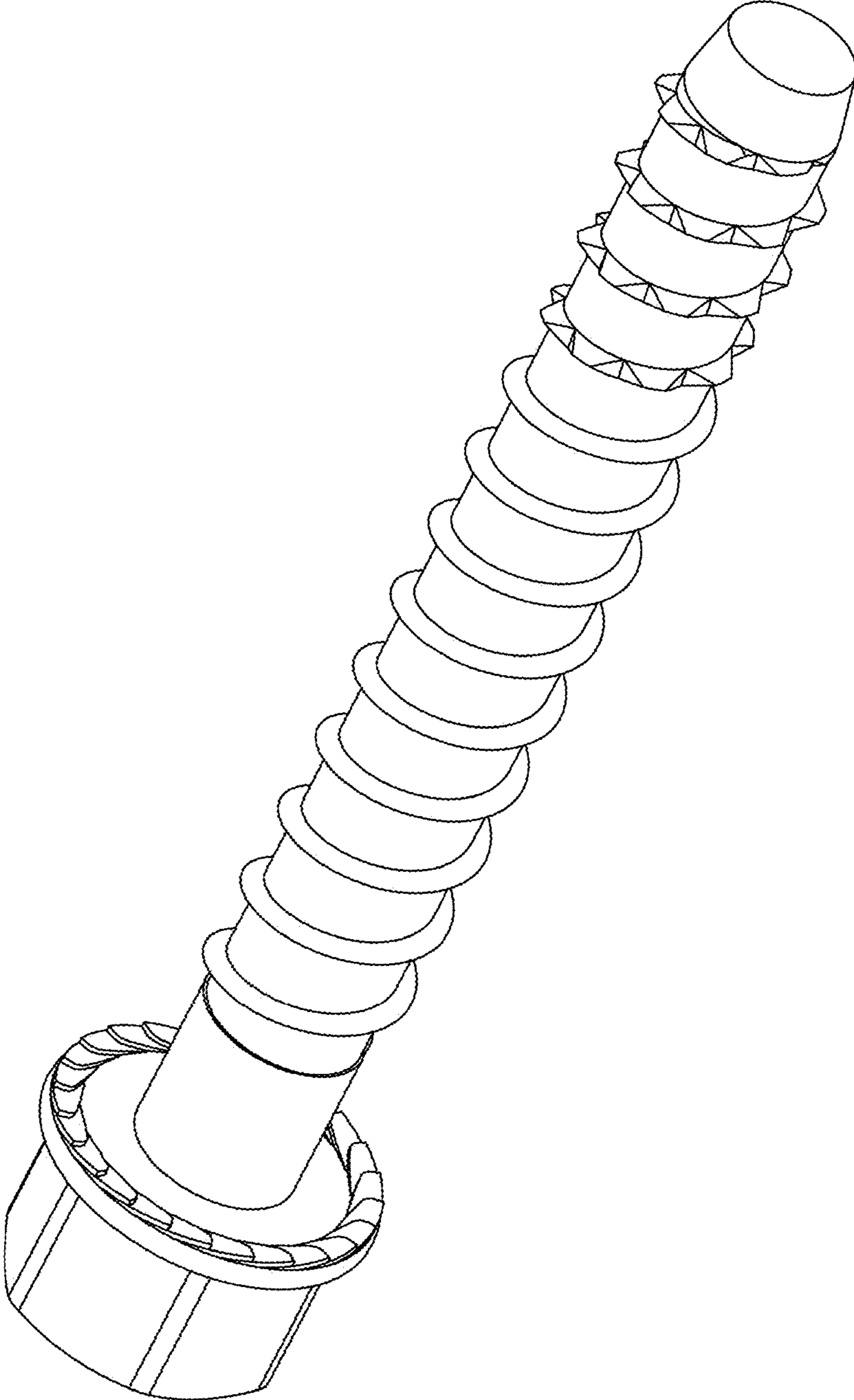


FIG. 7

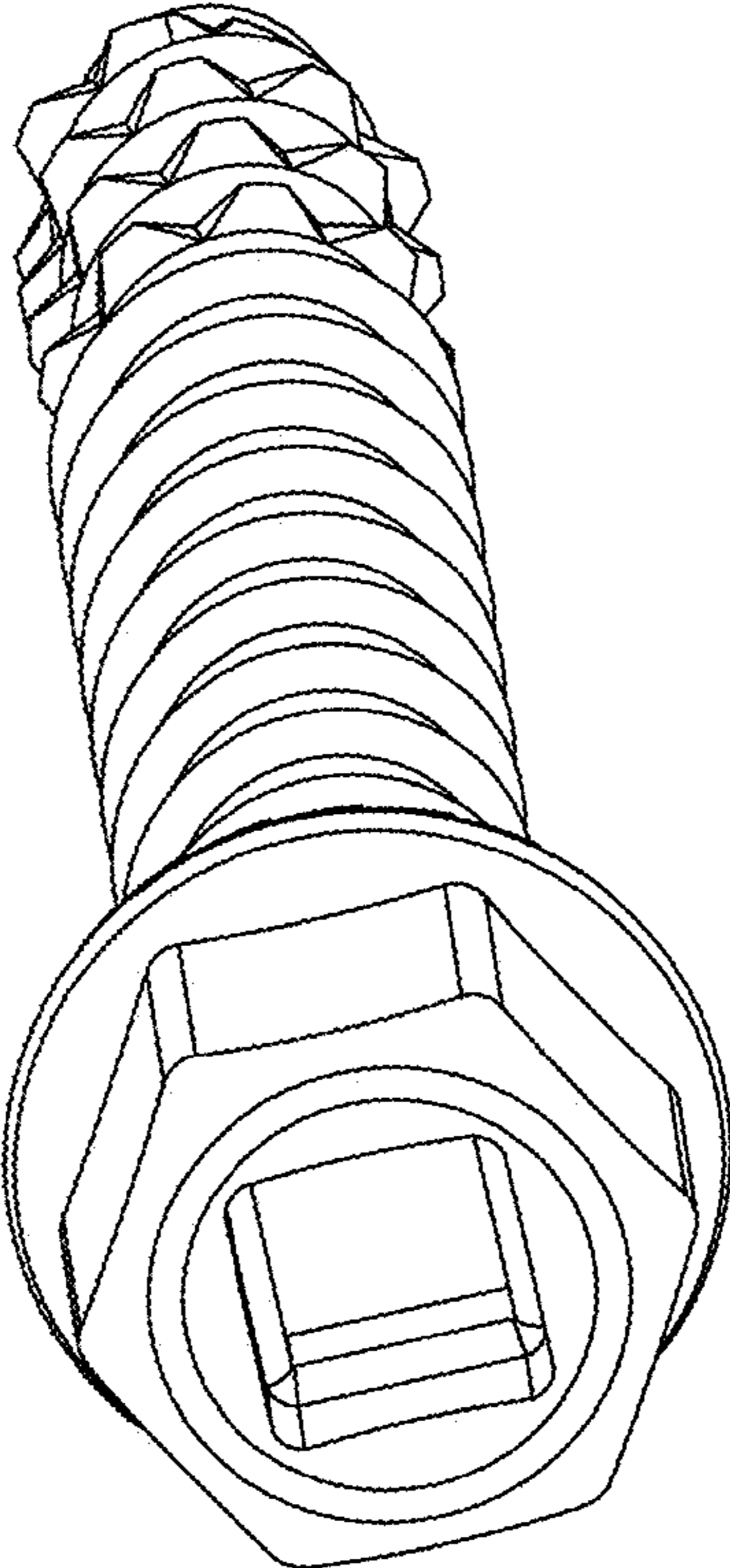


FIG. 8

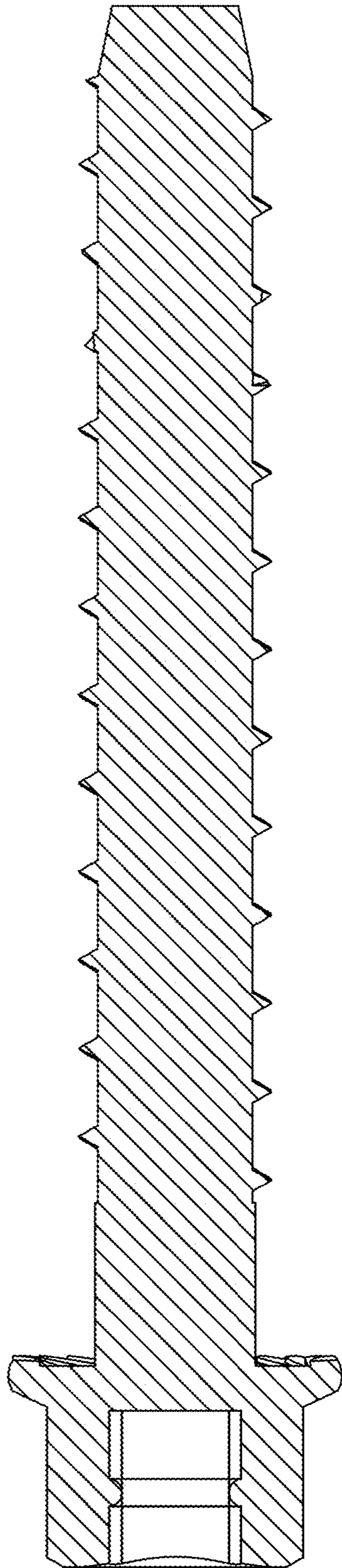


FIG. 9