



US00D875513S

(12) **United States Design Patent** (10) **Patent No.:** **US D875,513 S**
Fisher (45) **Date of Patent:** **** Feb. 18, 2020**

(54) **FASTENER** 6,003,210 A * 12/1999 Facey F16G 11/14
 24/130
 (71) Applicant: **Gripple Limited**, Sheffield (GB) D525,110 S * 7/2006 Beard D8/330
 D553,575 S * 10/2007 Littrell D13/154
 (72) Inventor: **Thomas Fisher**, Sheffield (GB) D567,641 S * 4/2008 Clarke D8/383
 D568,730 S * 5/2008 Clarke D8/383
 D574,701 S * 8/2008 Clarke D8/383
 (73) Assignee: **GRIPPLE LIMITED** (GB) D579,411 S * 10/2008 Jowett D13/133
 7,722,384 B2 * 5/2010 Breen, IV H01R 4/22
 439/441
 (**) Term: **15 Years** D639,151 S * 6/2011 Giemza D8/383
 D737,134 S * 8/2015 Thompson D8/396
 (21) Appl. No.: **29/665,579** D740,631 S * 10/2015 Bacon D8/44
 D805,378 S * 12/2017 Somerfield D8/383
 (22) Filed: **Oct. 4, 2018** 2003/0115723 A1 * 6/2003 Shuey F16G 11/106
 24/136 R
 (30) **Foreign Application Priority Data** 2004/0048522 A1 * 3/2004 Facey F16G 11/106
 439/783

(Continued)

Apr. 30, 2018 (EM) 005253374-001
 (51) **LOC (12) Cl.** **08-08**
 (52) **U.S. Cl.**
 USPC **D8/383**
 (58) **Field of Classification Search**
 USPC D8/14, 44, 71, 72, 349, 354, 356, 357,
 D8/360.1, 373, 382, 383, 394, 499
 CPC F16G 11/048; F16G 11/106; F16G 11/146;
 F16G 11/14; F16G 11/02; H01R 4/5075;
 H01R 4/5083; H01R 4/52; H01R 4/5041;
 Y10T 403/7171; Y10T 24/3996; Y10T
 24/39; Y10T 24/3918
 See application file for complete search history.

Primary Examiner — Sandra S Snapp
Assistant Examiner — Ieisha N Price
 (74) *Attorney, Agent, or Firm* — Clark Hill PLC; James
 R. Foley

(57) **CLAIM**

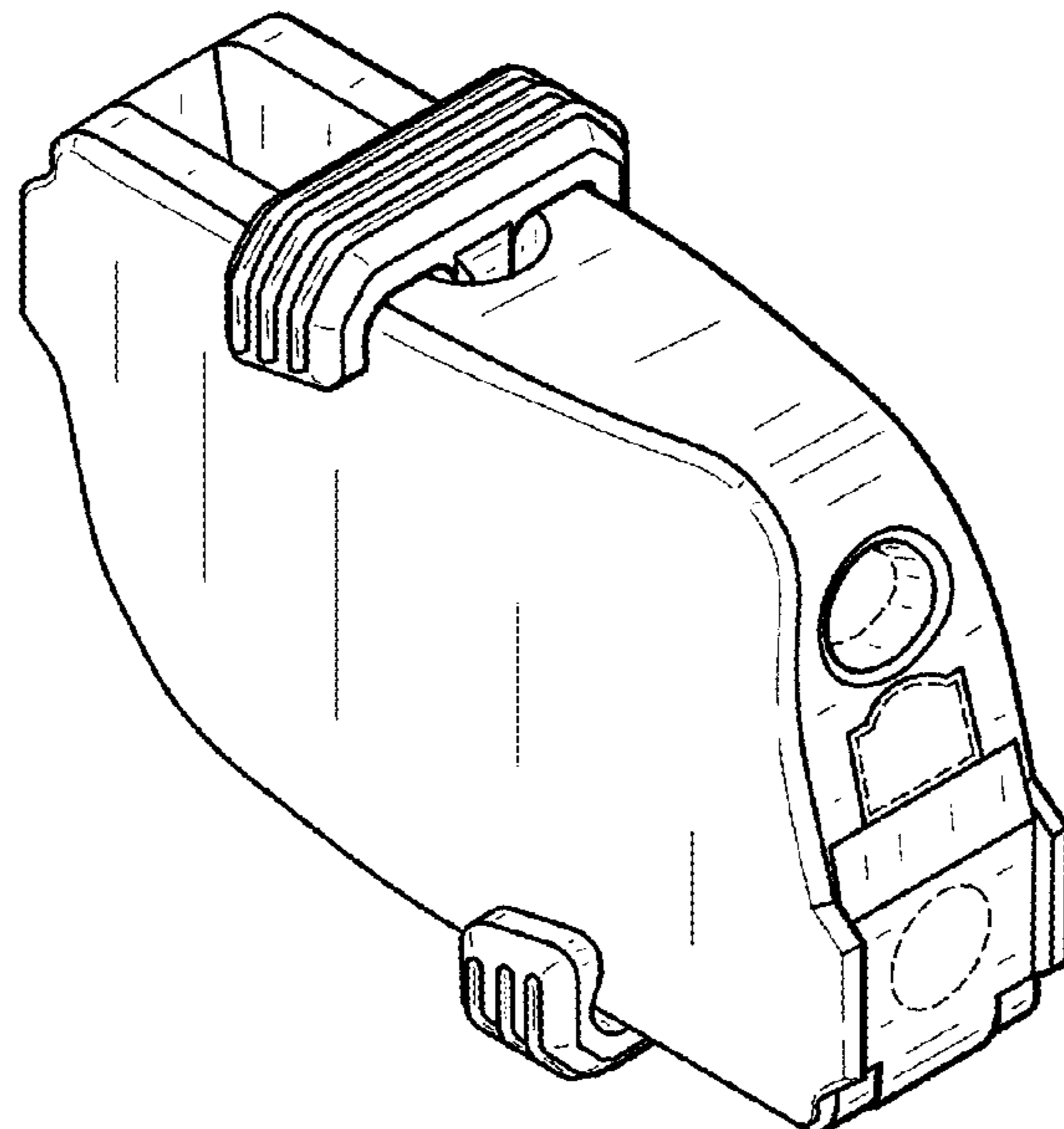
The ornamental design of a fastener, as shown and described.

DESCRIPTION

FIG. 1 is a front, right side perspective view of the fastener;
 FIG. 2 is a back, left side perspective view thereof;
 FIG. 3 is a front view thereof;
 FIG. 4 is a back view thereof;
 FIG. 5 is a left view thereof;
 FIG. 6 is a right view thereof;
 FIG. 7 is a bottom view thereof; and,
 FIG. 8 is a top view thereof.
 The broken lines in the drawings depict unclaimed subject
 matter.

(56) **References Cited**
 U.S. PATENT DOCUMENTS
 1,271,912 A * 7/1918 Kemper F16G 11/106
 403/384
 RE15,290 E * 2/1922 Kemper F16G 11/108
 403/384
 1,507,316 A * 9/1924 Kemper F16G 11/048
 403/393
 5,147,145 A * 9/1992 Facey F16G 11/108
 24/136 A

1 Claim, 4 Drawing Sheets



(56)

References Cited

U.S. PATENT DOCUMENTS

2004/0195556 A1* 10/2004 Facey A01K 3/005
256/10
2010/0279540 A1* 11/2010 Shawcross H01R 4/5075
439/488
2011/0041292 A1* 2/2011 Jolly F16G 11/106
24/136 R
2012/0110791 A1* 5/2012 Gienza F16G 11/106
24/136 R
2014/0123439 A1* 5/2014 Bacon F16G 11/106
24/134 KB
2015/0285337 A1* 10/2015 Dingley F16G 11/048
24/136 R

* cited by examiner

FIG. 1

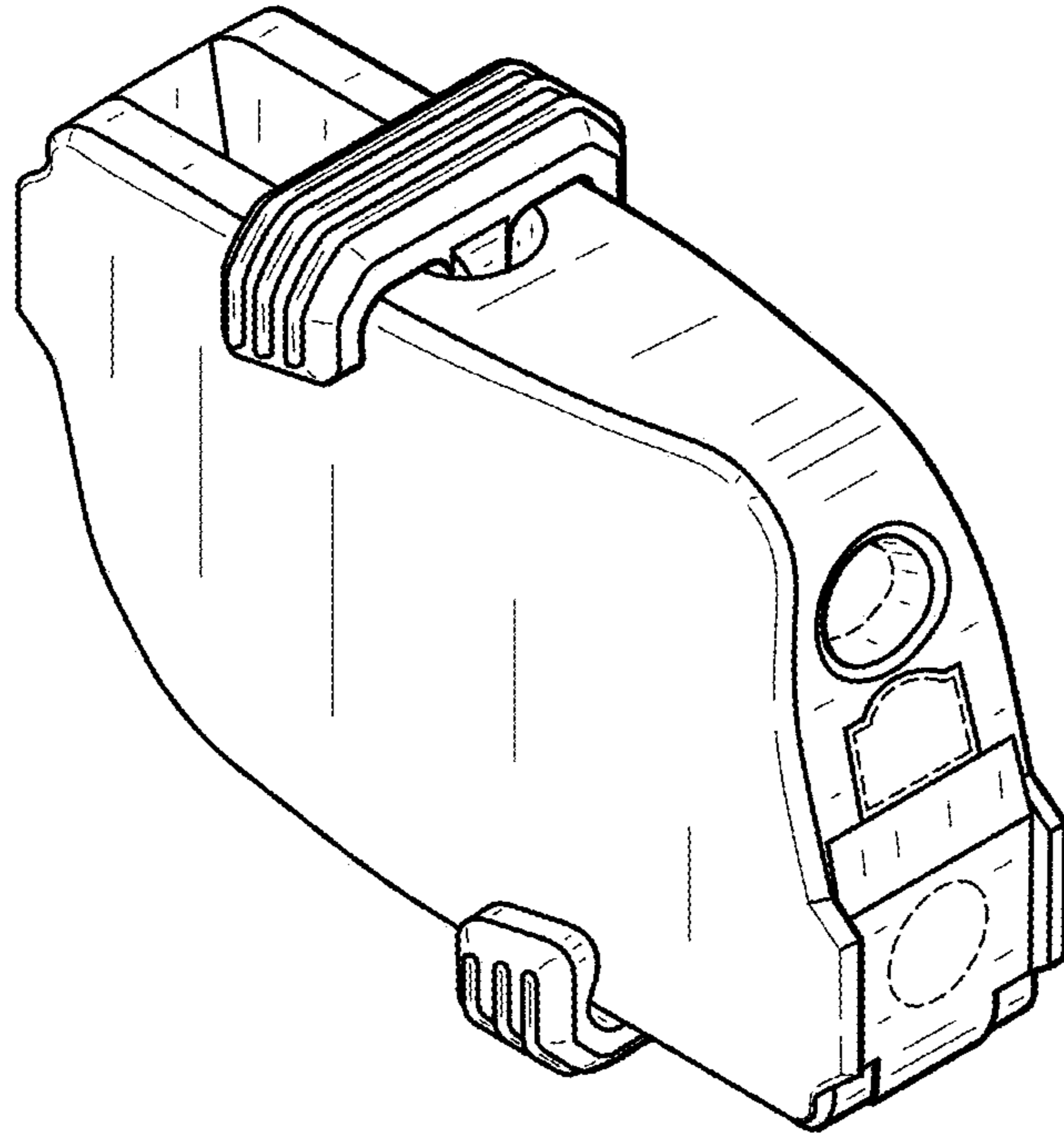


FIG. 2

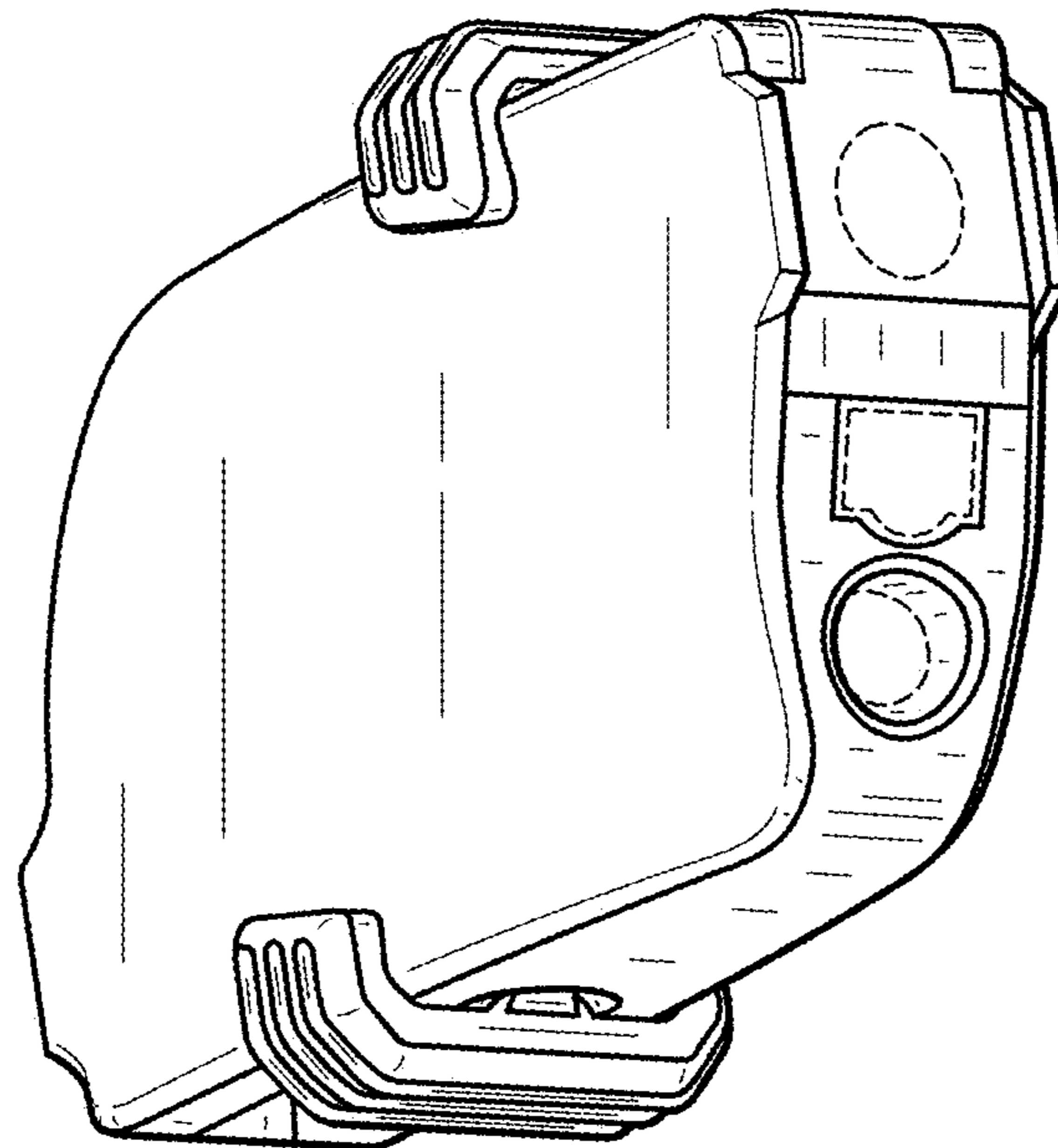


FIG. 3

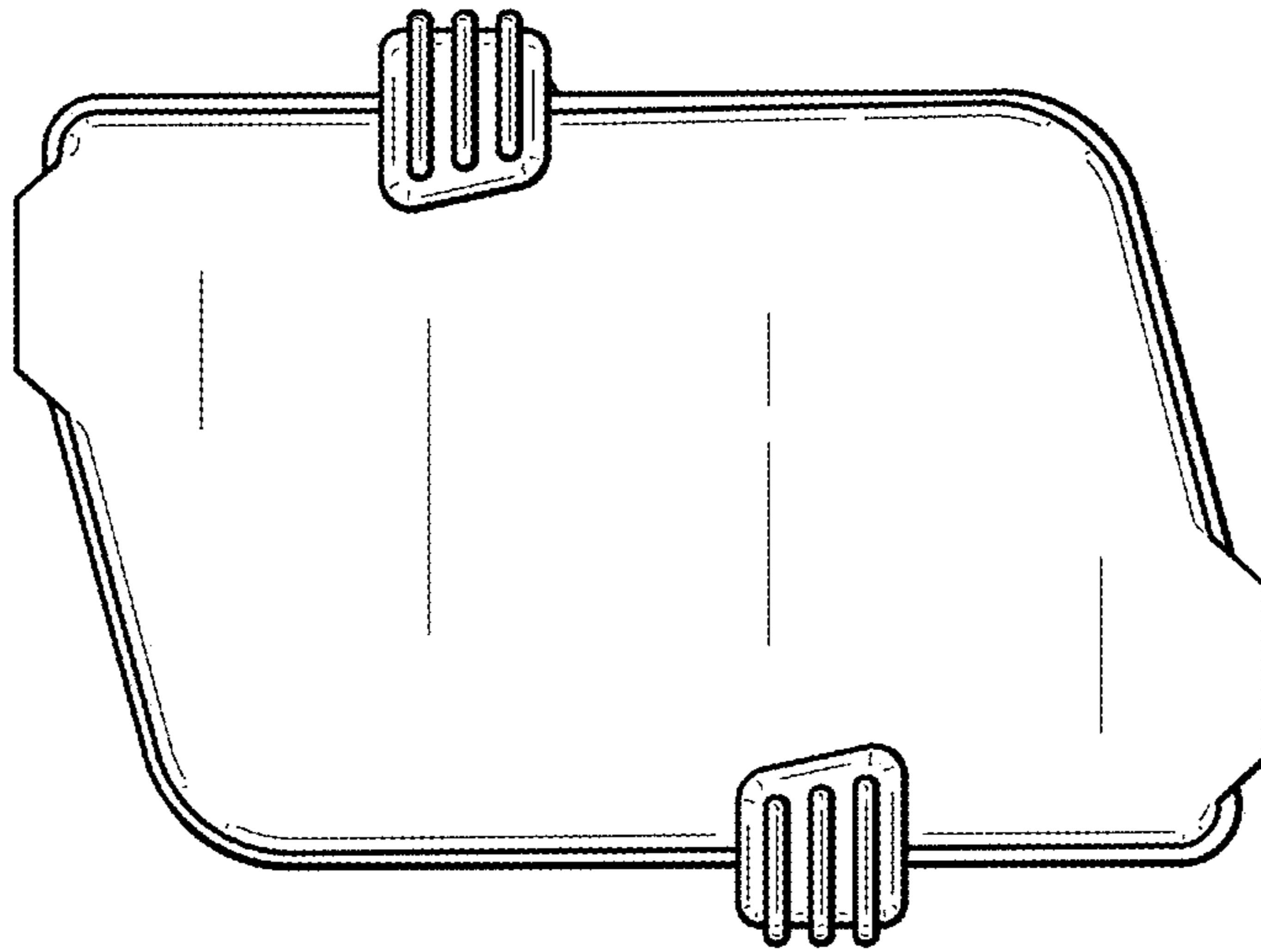


FIG. 4

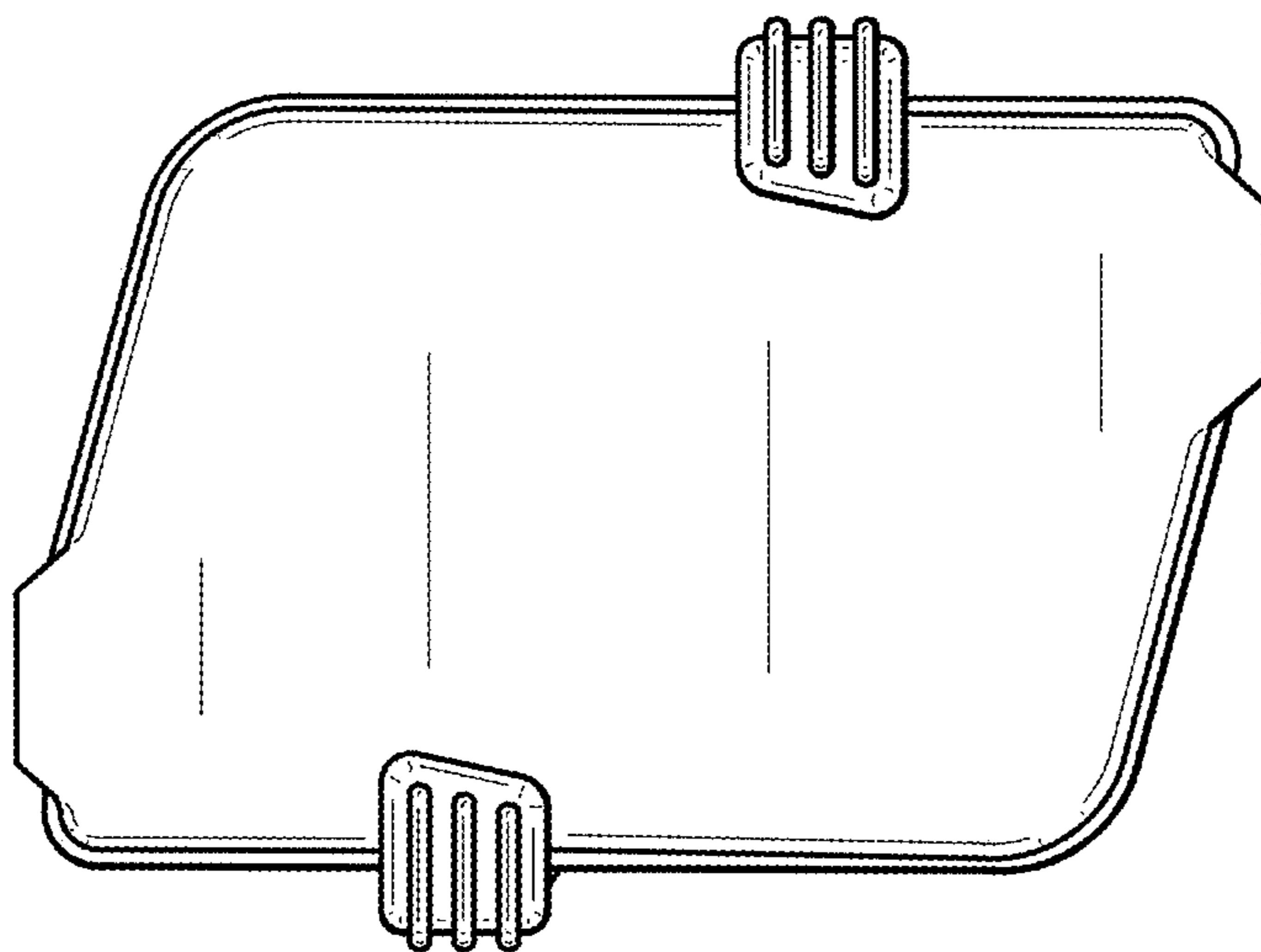


FIG. 5

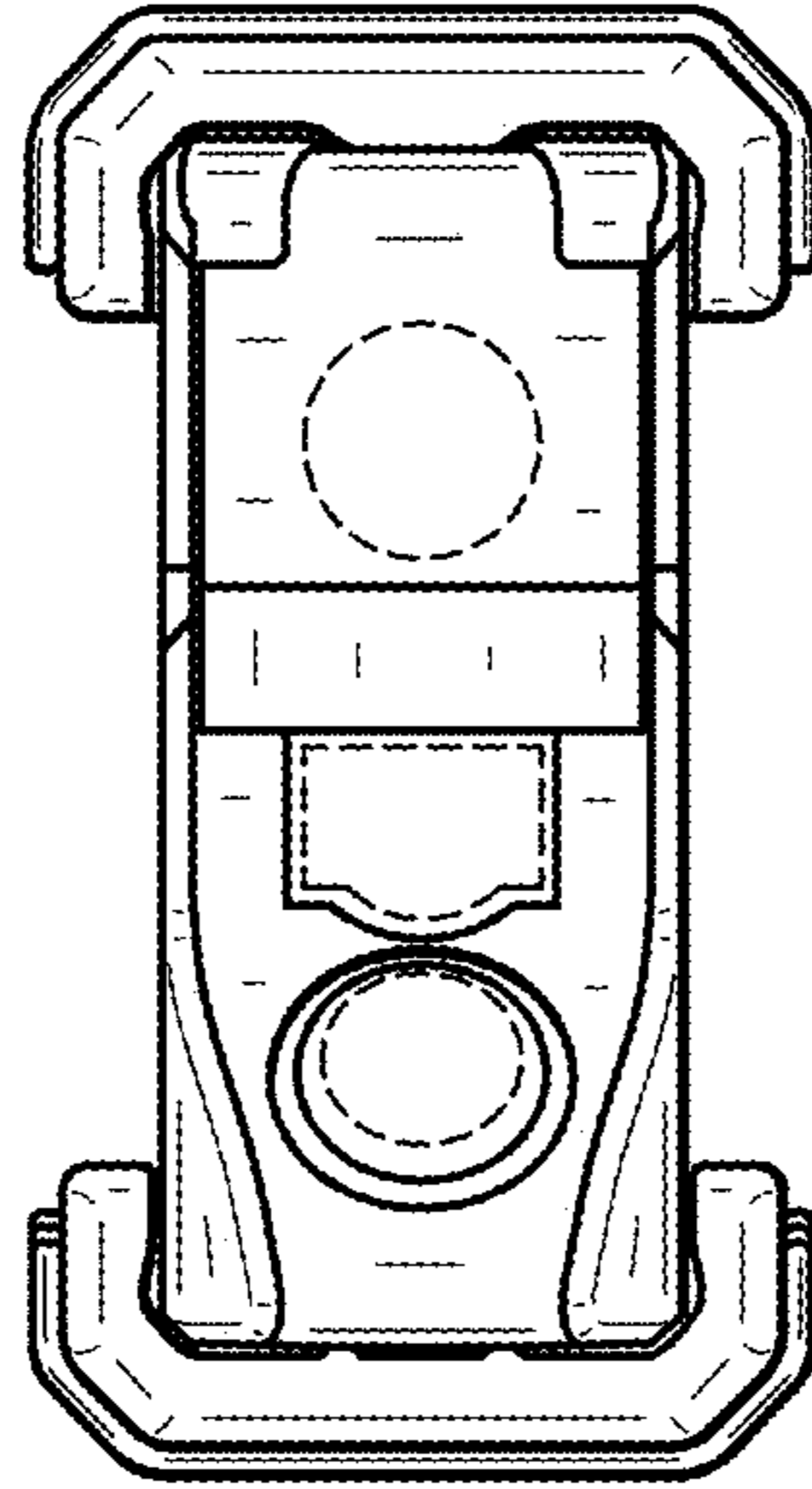


FIG. 6

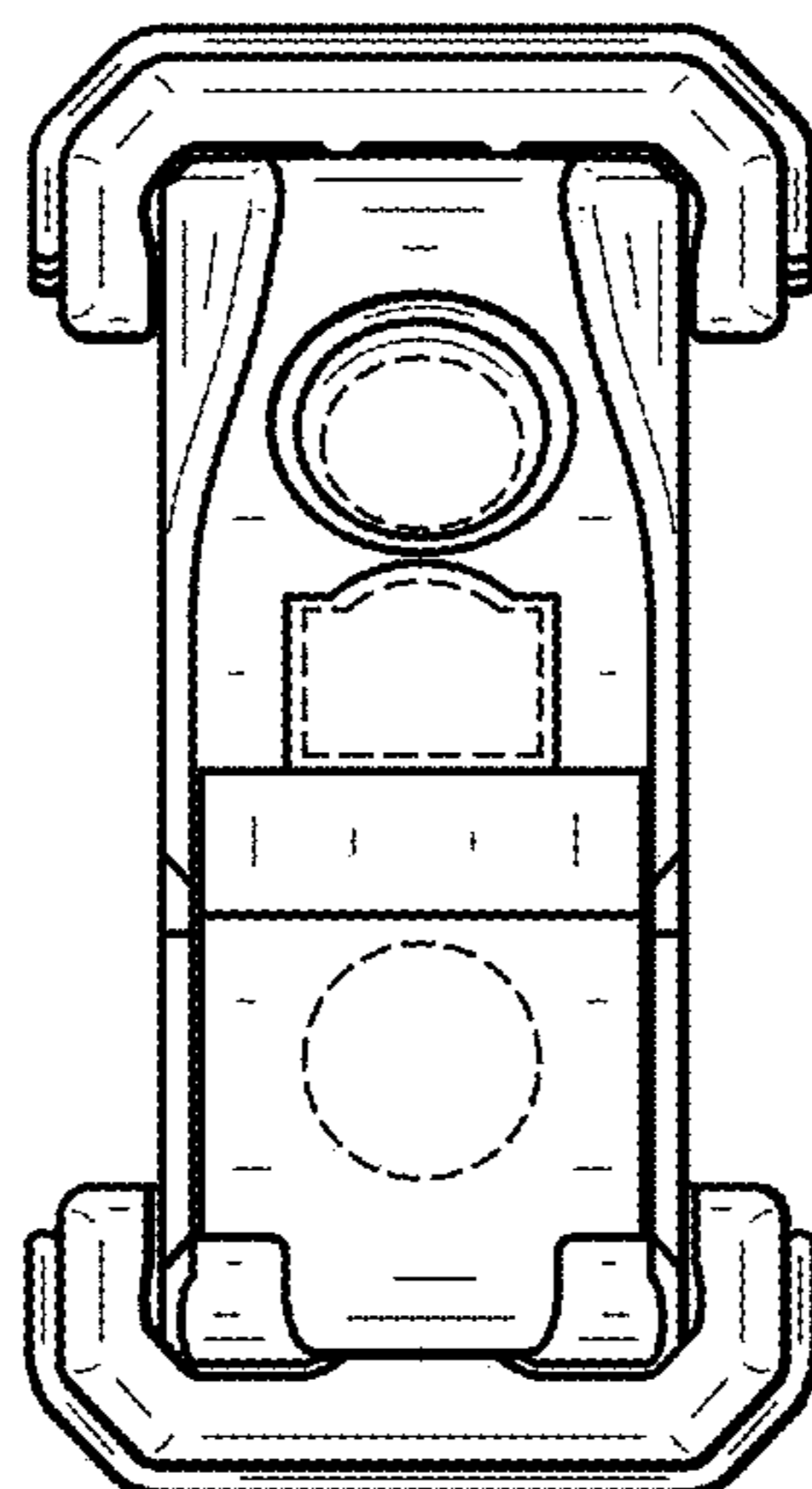


FIG. 7

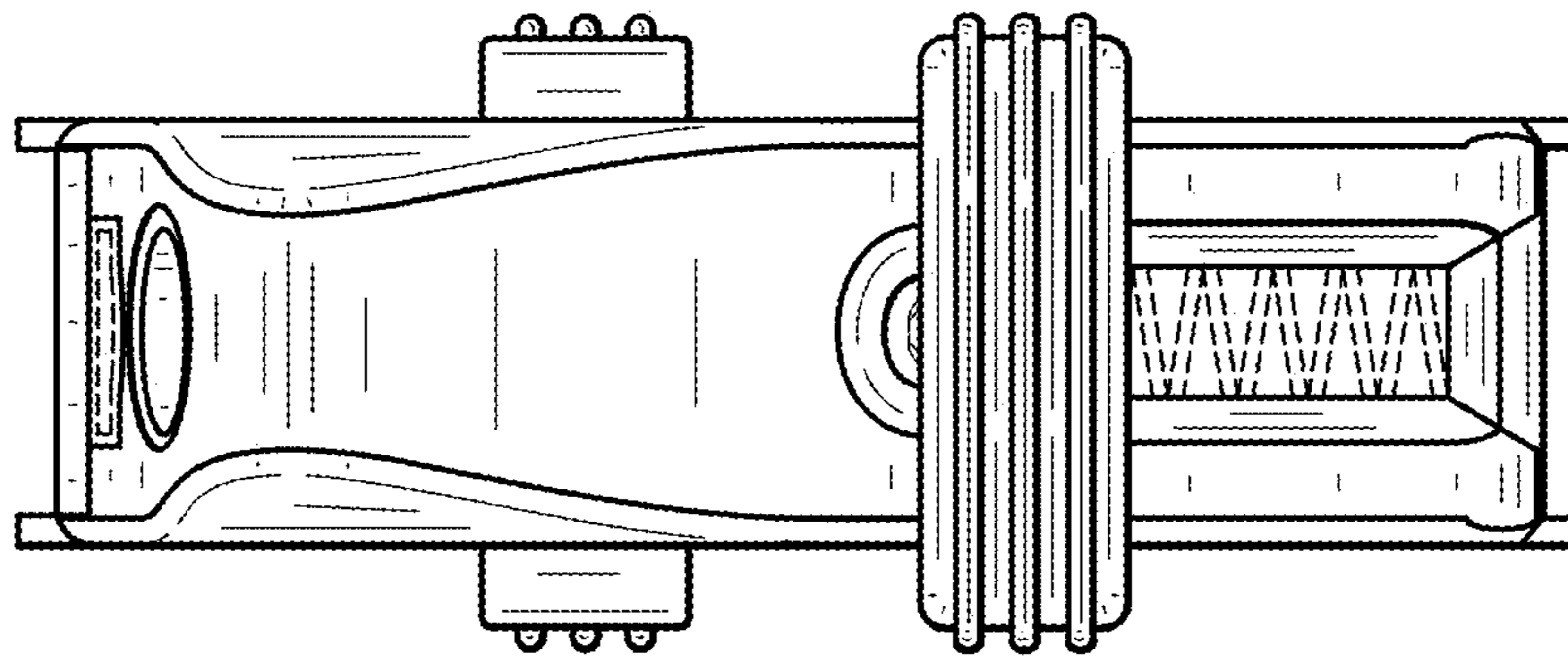


FIG. 8

