



US00D875511S

(12) **United States Design Patent** (10) **Patent No.:** **US D875,511 S**
Liu et al. (45) **Date of Patent:** **** Feb. 18, 2020**

(54) **WASHER**

B60B 2200/43; B60B 33/02; B60B 11/00;
B64F 1/32; B65G 1/04; B65G 17/20;
H04N

(71) Applicant: **Alton Furniture**, City of Industry, CA
(US)

(Continued)

(72) Inventors: **Li Zun Liu**, Guangdong Province
(CN); **Ping Hua Hsu**, Guangdong
Province (CN)

(56) **References Cited**

U.S. PATENT DOCUMENTS

D396,800 S * 8/1998 Prince D8/354
D480,948 S * 10/2003 Patrizzi D8/354

(Continued)

(**) Term: **15 Years**

(21) Appl. No.: **29/612,510**

OTHER PUBLICATIONS

(22) Filed: **Aug. 1, 2017**

PAXCOO 8 Pcs Metal Sectional Sofa Interlocking Furniture Con-
nector with Screws, posted Oct. 21, 2016, [retrieved Sep. 23, 2019].
Retrieved from Internet, <URL: <https://www.amazon.com/PAXCOO-Sectional-Interlocking-Furniture-Connector/dp/B01M9DV5QI>>.*

(Continued)

(51) **LOC (12) Cl.** **08-05**

(52) **U.S. Cl.**
USPC **D8/374**

(58) **Field of Classification Search**
USPC D8/321, 359, 374, 375, 376, 377, 400,
D8/61, 64, 70, 363, 381, 354, 349, 403,
D8/57, 69, 310; D3/276; D6/587;
D7/318, 393, 600, 622, 705, 624.1, 502,
D7/553.1, 553.2, 553.4, 553.5, 553.6,
D7/554.2, 554.3; D9/531; D14/238, 373,
D14/448, 451, 452; D25/38.1, 41.1, 43,
D25/48.2, 48.3

Primary Examiner — Karen E Kearney
Assistant Examiner — Kristin E Reed

CPC Y10T 16/10; Y10T 16/104; Y10T 16/124;
Y10T 16/1263; Y10T 16/127; Y10T
16/131; Y10T 16/14; Y10T 16/35; Y10T
16/3543; Y10T 16/37; Y10T 16/376;
Y10T 16/379; Y10T 16/387; Y10T
24/44573; Y10T 29/53543; Y10T
137/6903; Y10T 16/372; Y10T 16/375;
Y10T 16/378; Y10T 16/3797; Y10T
16/18; Y10T 16/1853; Y10T 16/1857;
Y10T 16/186; Y10T 16/209; Y10T
16/1937; A47H 1/02; A47F 7/14; A47F
7/16; A47F 7/143; A47F 5/08; A47F
5/0807; A47F 5/0815; A47F 5/0838;
A47F 5/0846; A47F 5/0853; A47F 5/105;
B60B 7/20; B60B 19/06; B60B 37/10;

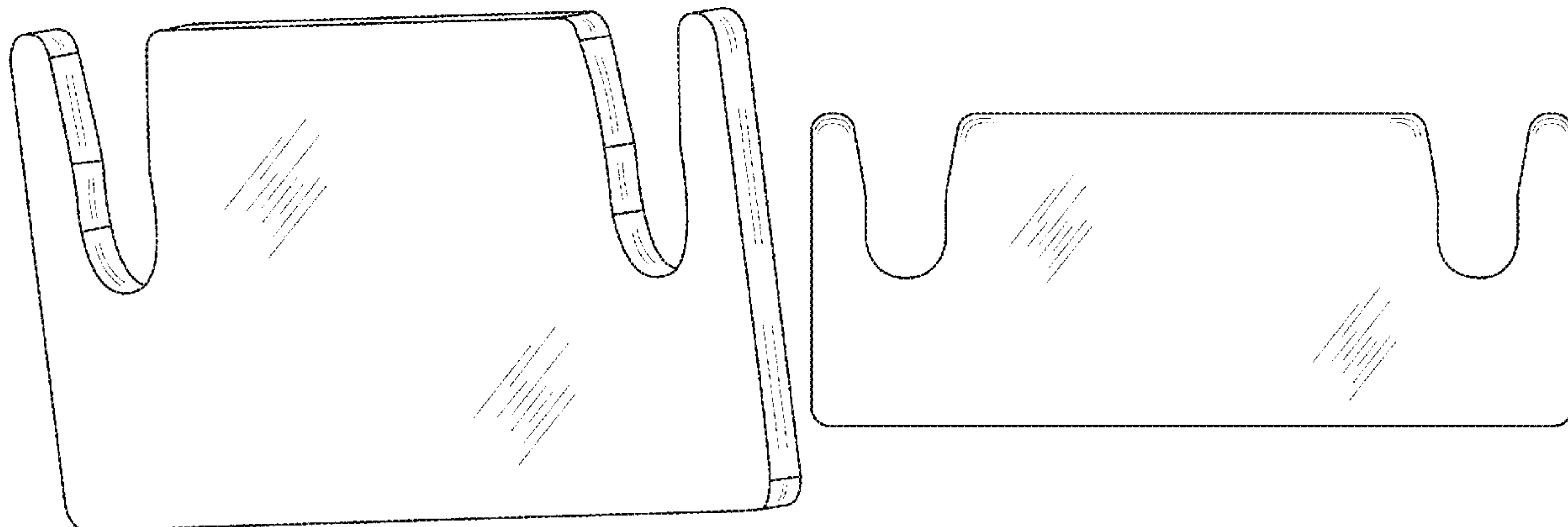
(57) **CLAIM**

The ornamental design for the washer, as shown and
described.

DESCRIPTION

FIG. 1 is a perspective view of a washer;
FIG. 2 is a front perspective view of the design of the washer
shown in FIG. 1;
FIG. 3 is a front view of the design of the washer shown in
FIG. 1;
FIG. 4 is a side view of the design of the washer shown in
FIG. 1;
FIG. 5 is a bottom view of the design of the washer shown
in FIG. 1;
FIG. 6 is a top view of the design of the washer shown in
FIG. 1; and,
FIG. 7 is the design of the washer shown in FIG. 3 in
working condition.

(Continued)



The broken lines shown in FIG. 7 depict an environment of use that forms no part of the claimed design.

1 Claim, 3 Drawing Sheets

(58) Field of Classification Search

CPC 1/00522; H04N 1/00533; H04N 1/00538;
 G06F 1/1637; G06F 1/607; G06F 1/1647;
 G06F 1/1692; G06F 3/1446; G06F 3/147;
 G06F 3/1423; A47G 1/141; A47G 29/00;
 F16M 11/26

See application file for complete search history.

(56) References Cited

U.S. PATENT DOCUMENTS

D483,651	S	*	12/2003	Sander	D8/349
D488,053	S	*	4/2004	Murphy	D25/131
D593,402	S	*	6/2009	Smalley	D8/372

8,011,625	B2	*	9/2011	Ginsberg	A61B 5/061 248/205.1
8,261,920	B1	*	9/2012	Matthews	A47B 5/02 108/42
D676,310	S	*	2/2013	Lowrance	D8/356
D679,172	S	*	4/2013	Dixon	D8/354
D679,173	S	*	4/2013	Parady	D8/354
D787,918	S	*	5/2017	Rago	D8/354
D817,152	S	*	5/2018	Ng	D8/354
D847,609	S	*	5/2019	Ng	D8/354

OTHER PUBLICATIONS

Universal Wood Replacement Bed Rail Hook Plate—New, posted Aug. 23, 2015, [retrieved Sep. 23, 2019]. Retrieved from Internet, <URL: <https://www.amazon.com/Universal-Wood-Replacement-Rail-Plate/dp/B014BESX4U> >.*

Richohome Wood Bed Rail Hook Plates—Pack of 4, posted Aug. 23, 2016, [retrieved Sep. 23, 2019]. Retrieved from Internet, <URL: <https://www.amazon.com/Richohome-Wood-Rail-Hook-Plates/dp/B01KVLUPDE> >.*

* cited by examiner

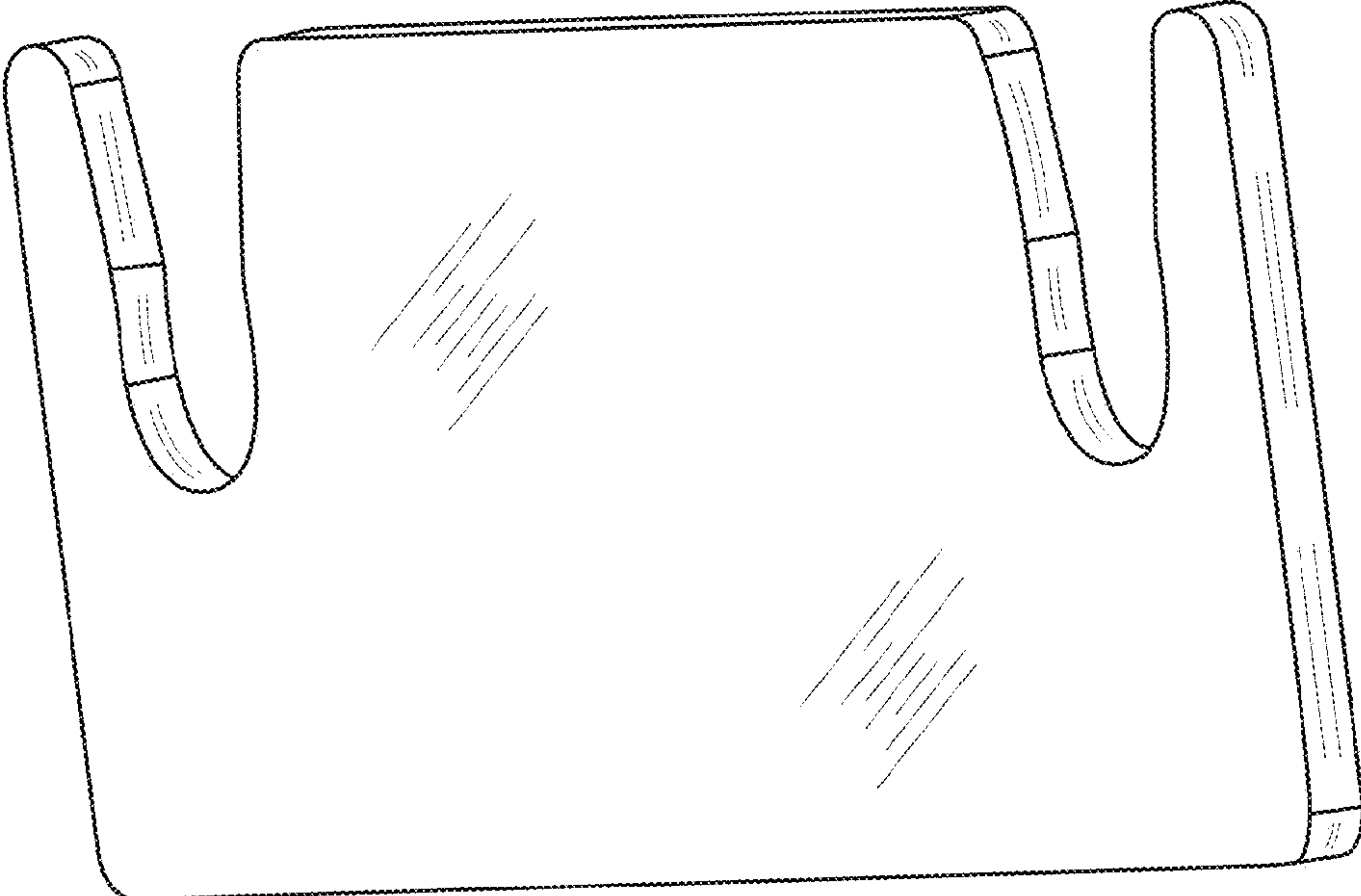


FIG. 1

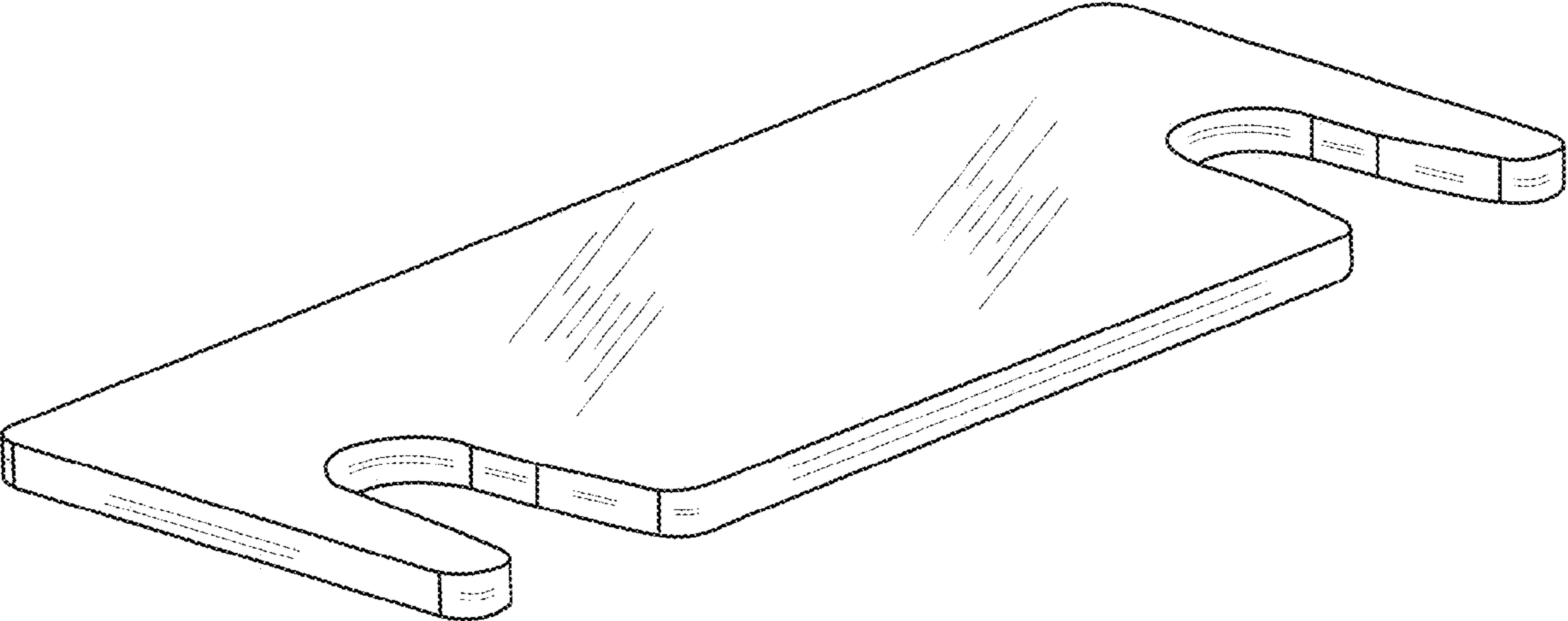


FIG. 2

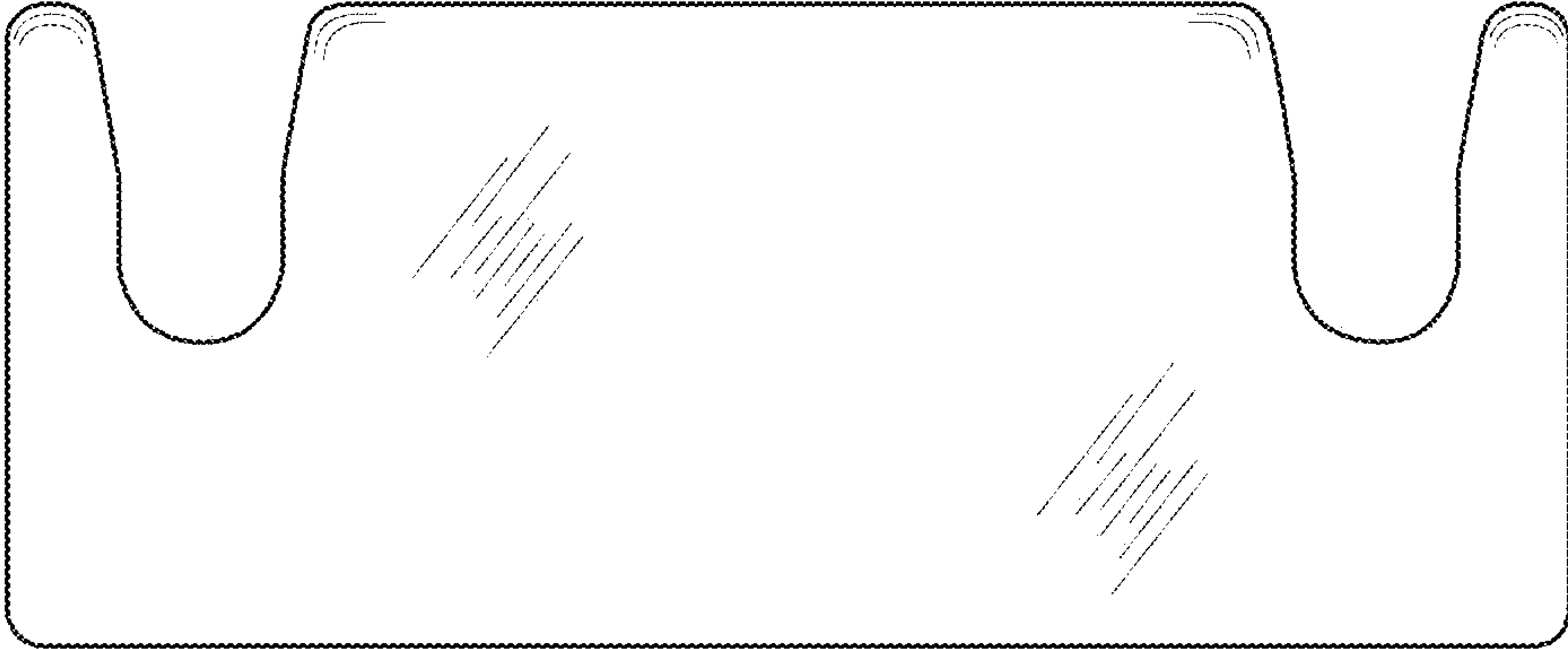


FIG. 3



FIG. 4

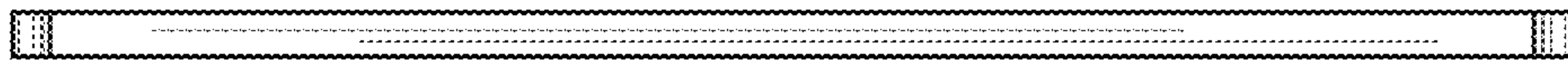


FIG. 5

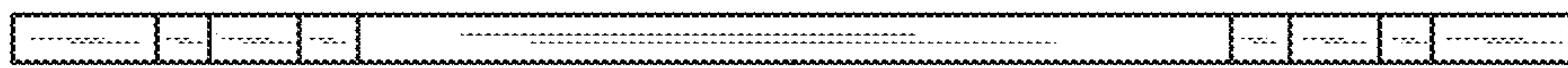


FIG. 6

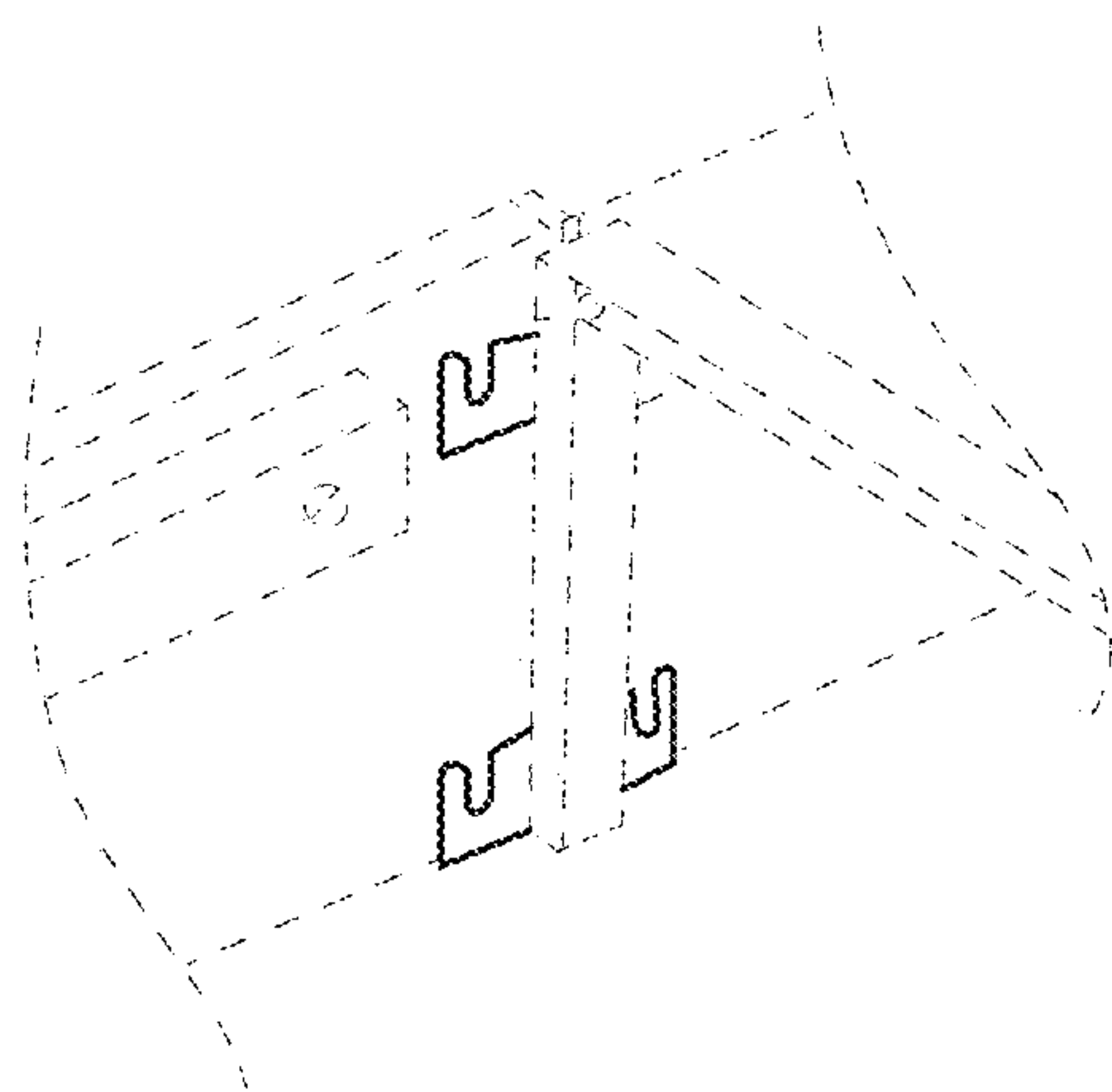


FIG. 7