



US00D875510S

(12) **United States Design Patent** (10) **Patent No.:** **US D875,510 S**
Dammann (45) **Date of Patent:** **** Feb. 18, 2020**

(54) **HANGING BRACKET WITH SLOT AND HOLE**

(71) Applicant: **Eric Dammann**, Venice, FL (US)

(72) Inventor: **Eric Dammann**, Venice, FL (US)

(**) Term: **15 Years**

(21) Appl. No.: **29/617,486**

(22) Filed: **Sep. 14, 2017**

Related U.S. Application Data

(63) Continuation of application No. 15/287,642, filed on Oct. 6, 2016, now abandoned.

(51) **LOC (12) Cl.** **08-05**

(52) **U.S. Cl.**
USPC **D8/373**

(58) **Field of Classification Search**

USPC D08/373, 358, 359, 354, 71, 330, 336, D08/351, 356, 360.1, 363, 364, 367, 370, D08/372, 379, 381, 382, 395, 396; D06/349, 352; D09/426, 502, 750; D10/72, 73, 89; D11/79, 93; D13/103, D13/107; D19/67; D21/673, 674, 675, D21/839, 840; D25/19, 62, 68, 69; D26/40, 49; D29/122, 124; D30/153, D30/155

CPC B65H 75/40; B65H 75/4407; B65H 75/4471; B65H 2701/34; B65H 2701/32; B65H 2511/142; B65H 29/008; B65H 2701/33; B65H 54/585; B65H 51/22; B65H 75/08; B65H 75/02; B65H 2301/41485; B65H 75/4468; B65H 2301/414323; B65H 2301/414325; B65H 16/02; B65H 2301/4131; B65H 74/4471; B65H 75/403; B65H 75/441; B65D 85/66; B65D 85/67; B66D 3/006; B66D 3/18; B66D 3/26; B66D 3/02; B66D 3/14; B63B 21/18; B63B 21/26;

(Continued)

(56) **References Cited**

U.S. PATENT DOCUMENTS

D175,066 S * 7/1955 Emmert D19/69
4,315,611 A 2/1982 Hoop

(Continued)

OTHER PUBLICATIONS

Shelf Standard Mounting Fast-Mount Bracket, posted Jul. 1, 2009, [retrieved Sep. 30, 2019]. Retrieved from Internet, <URL: <https://www.amazon.com/Shelf-Standard-Mounting-Fast-Mount-Bracket/dp/B002YGLIXS> >.*

(Continued)

Primary Examiner — Karen E Kearney

Assistant Examiner — Kristin E Reed

(74) *Attorney, Agent, or Firm* — Larson & Larson, P.A.; Justin P. Miller; Frank Liebenow

(57) **CLAIM**

I claim the ornamental design for a hanging bracket with slot and hole, as shown and described.

DESCRIPTION

FIG. 1 is a perspective view of a hanging bracket with slot and hole showing my new design;

FIG. 2 is a right-side elevation view thereof;

FIG. 3 is a left-side elevation view thereof;

FIG. 4 is a front elevation view thereof;

FIG. 5 is a back elevation thereof;

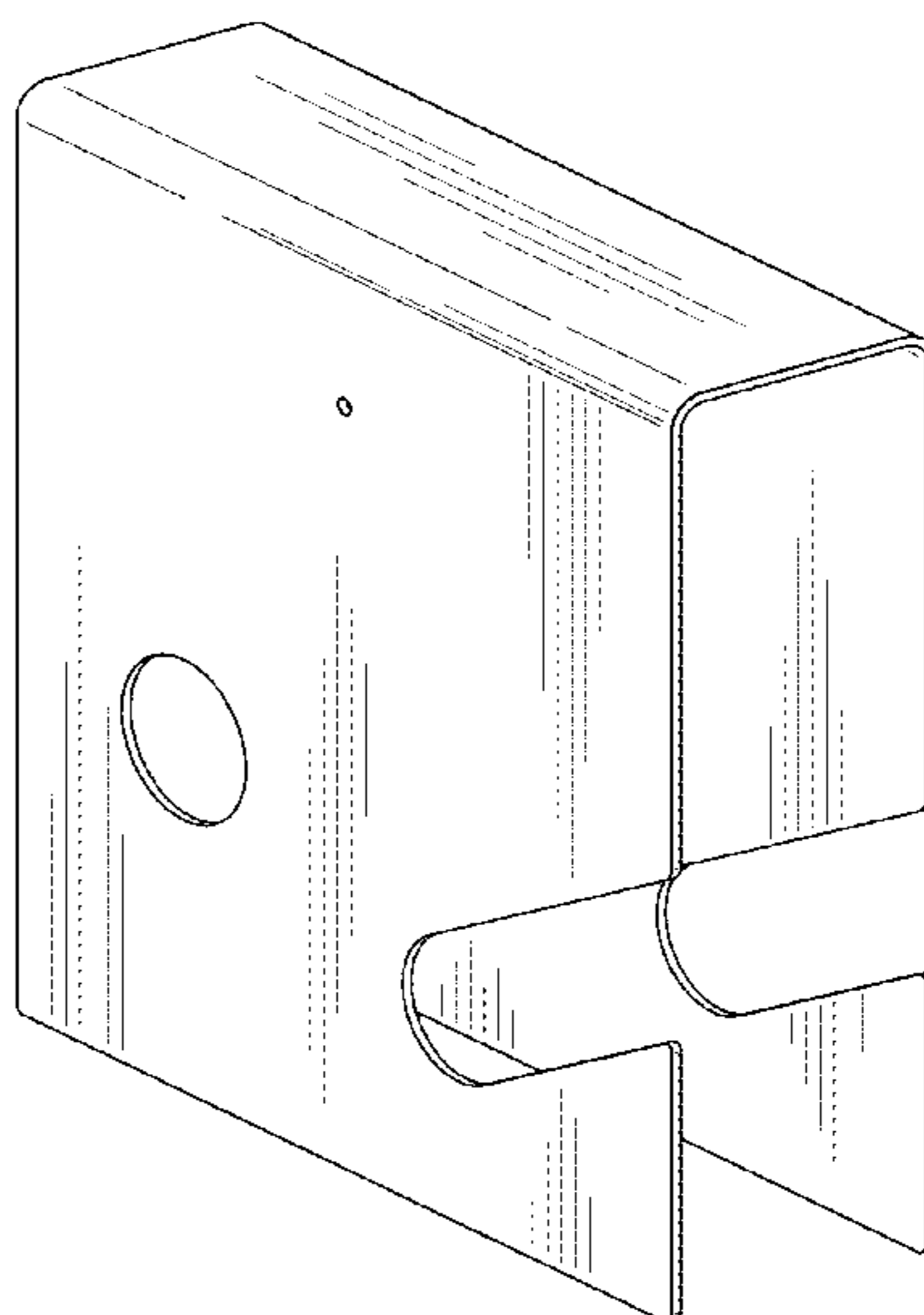
FIG. 6 is a top plan view thereof;

FIG. 7 is a bottom plan view thereof; and,

FIG. 8 is a perspective view thereof, showing the hanging bracket with slot and hole installed in an exemplary ceiling structure.

The broken lines showing portions of the ceiling structure are included for the purpose of illustrating environmental structure and form no part of the claimed design.

1 Claim, 4 Drawing Sheets



(58) **Field of Classification Search**

CPC B65B 57/005; A61G 7/1051; A61G 7/1061; B66B 11/08; A62C 33/04; B08B 2203/0276; B21C 47/28; H02G 11/02; A01K 89/003; H04M 1/15; A01D 34/822; A47L 9/26; H04R 1/1033; Y10S 24/909; E05C 19/10; E05C 17/50; E05C 3/045; E05C 3/30; E05C 19/02; E05C 19/026; A47G 25/18; A47G 25/32; F16B 12/44; F16B 12/46; F16B 12/685; F16B 5/0614; F16B 12/02; E04B 1/2612; E04B 2001/2415; E04B 1/5818; E04B 1/5831; A47B 88/0055; E04F 11/1812; F16L 1/0246; A01G 9/024; A01G 25/14; A01G 27/001; A01G 9/042; A01G 27/005; A01G 31/001; A01G 9/02; A01G 9/083; A01G 9/12

See application file for complete search history.

(56)

References Cited

U.S. PATENT DOCUMENTS

4,445,495 A * 5/1984 Frost F24C 3/14
114/191

5,653,296 A * 8/1997 Fujiyama H01H 13/08
173/170
D407,750 S * 4/1999 Watters D19/67
D415,528 S * 10/1999 Mandar D19/67
6,112,939 A * 9/2000 Yoshie B27F 7/38
221/197
6,705,504 B1 * 3/2004 Kanai B27F 7/19
227/114
6,941,597 B2 9/2005 Hampe
D557,594 S * 12/2007 Whipple D8/373
D564,868 S * 3/2008 Terada D8/382
D732,380 S * 6/2015 Chou D8/383
D823,675 S * 7/2018 Dammann D8/380
2004/0074858 A1 * 4/2004 Thuma D06F 57/00
211/202
2007/0290101 A1 12/2007 Paulig
2014/0140816 A1 * 5/2014 Lu F16F 15/02
415/119

OTHER PUBLICATIONS

Home > Products > Pipe Hangers & Supports > Structural Attachments > Beam Clamps > 226 Truss Bracket, posted unknown, [retrieved Sep. 30, 2019]. Retrieved from Internet, <URL: <https://www.anvilintl.com/products/226-truss-bracket> >.*

* cited by examiner

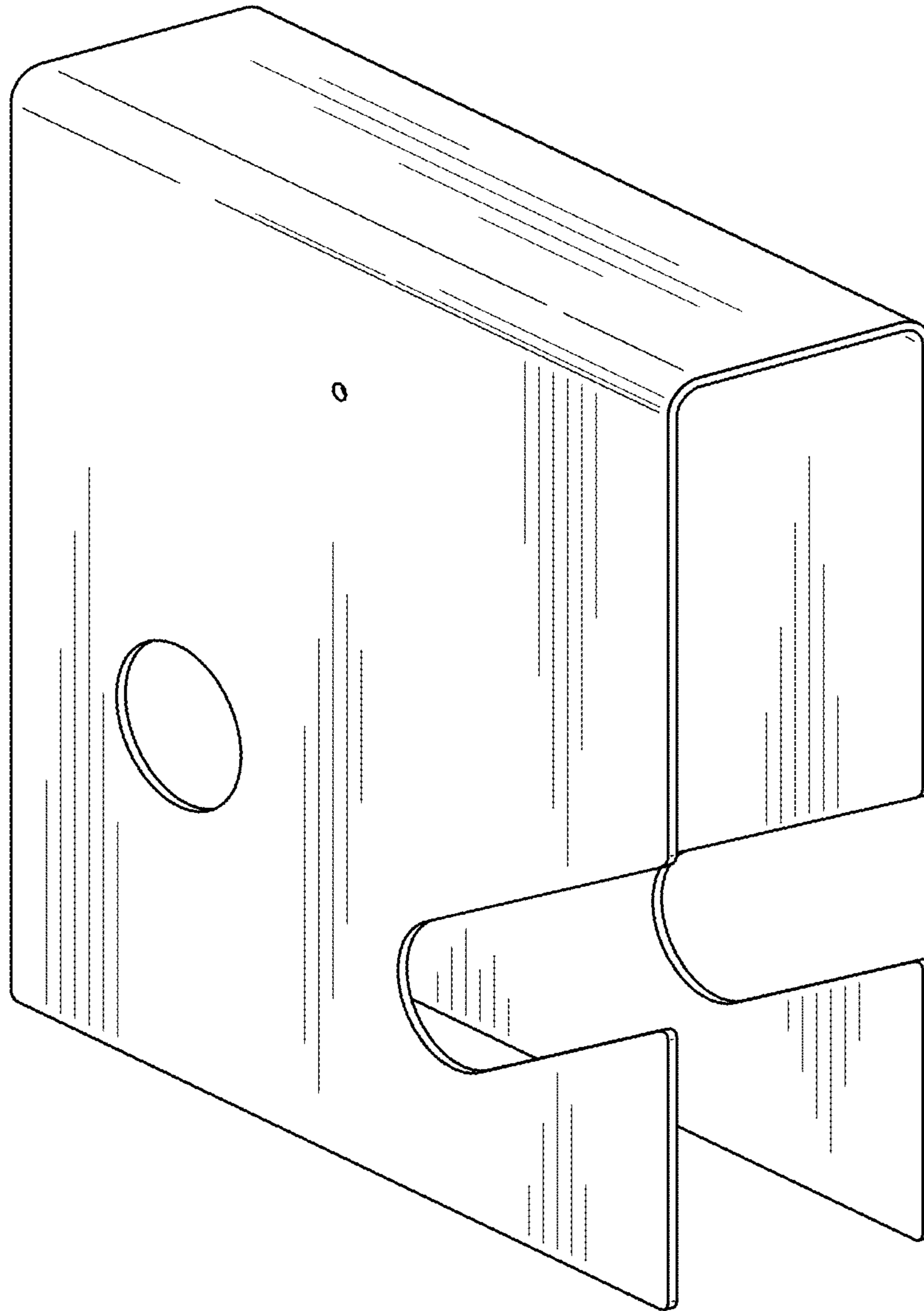


FIG. 1

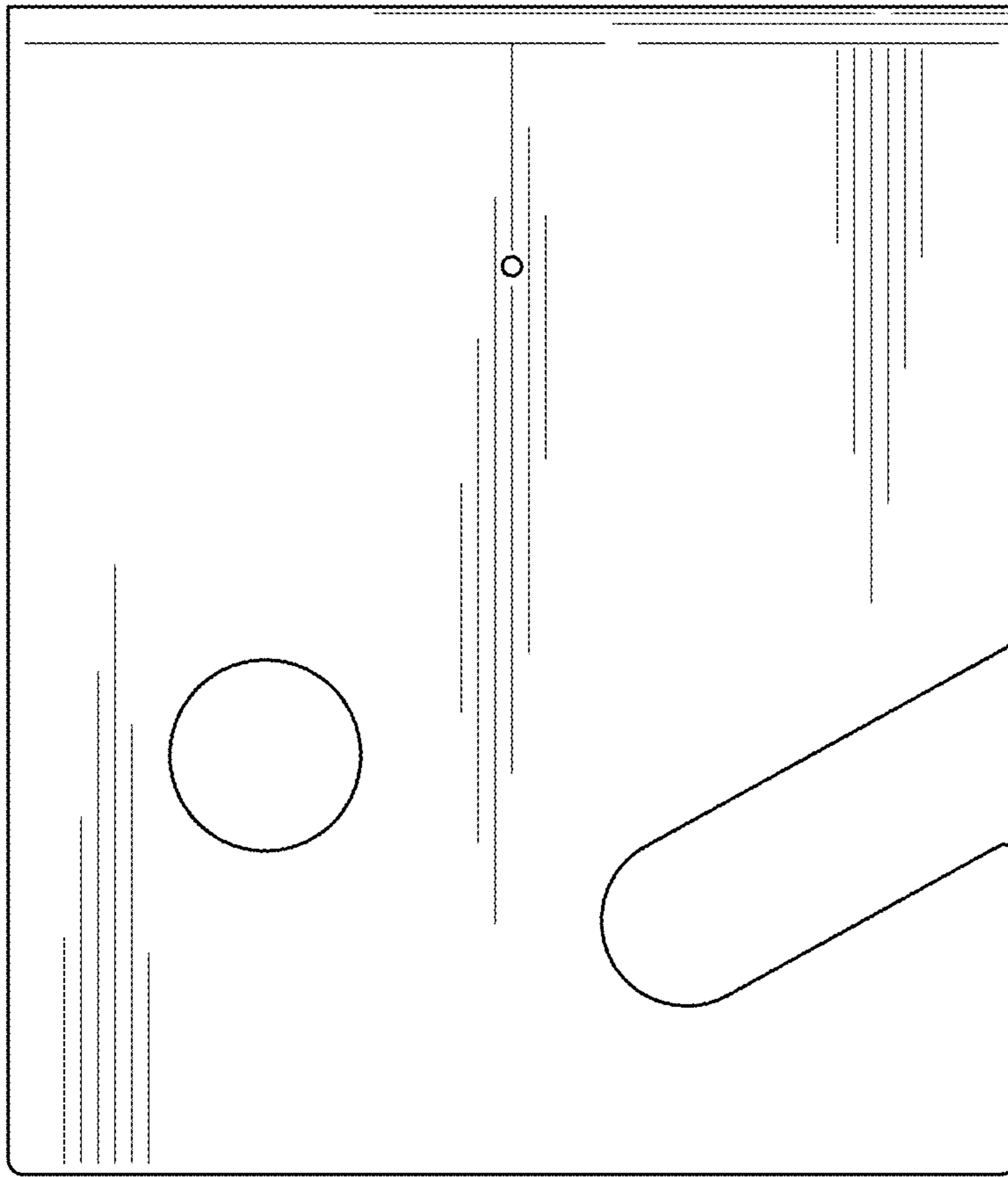


FIG. 2

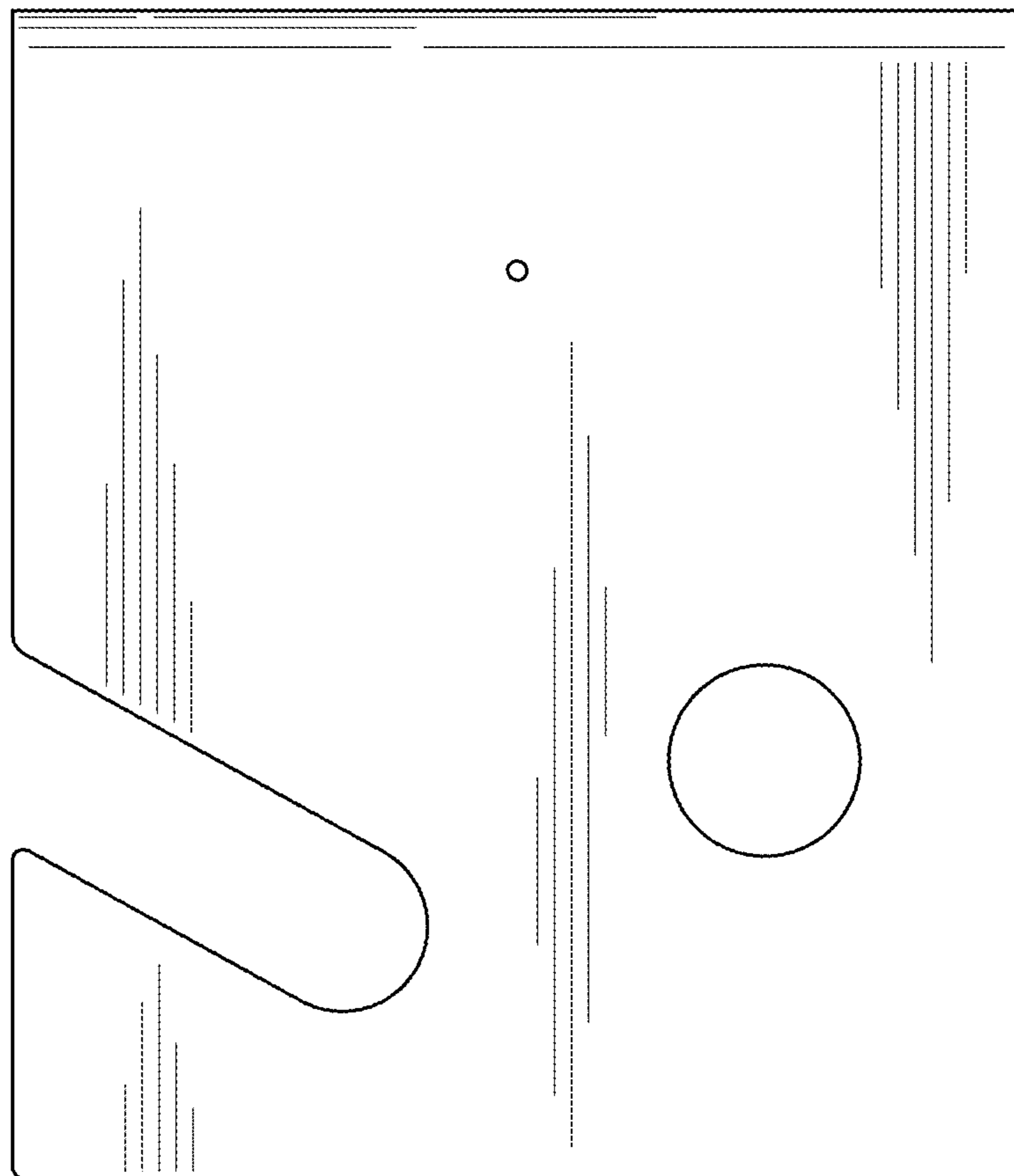


FIG. 3

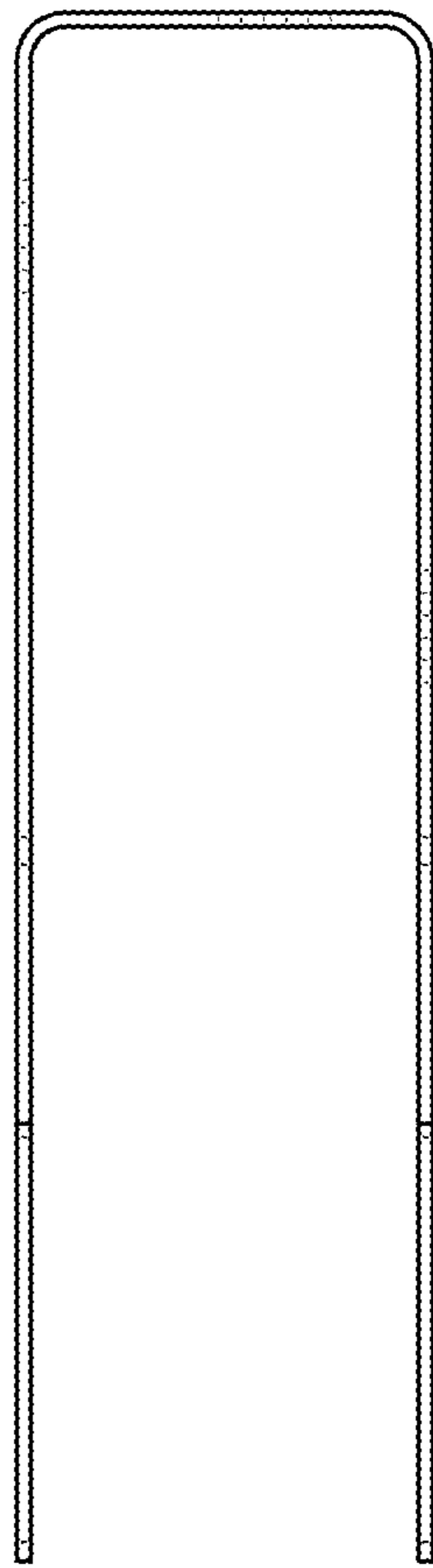


FIG. 4

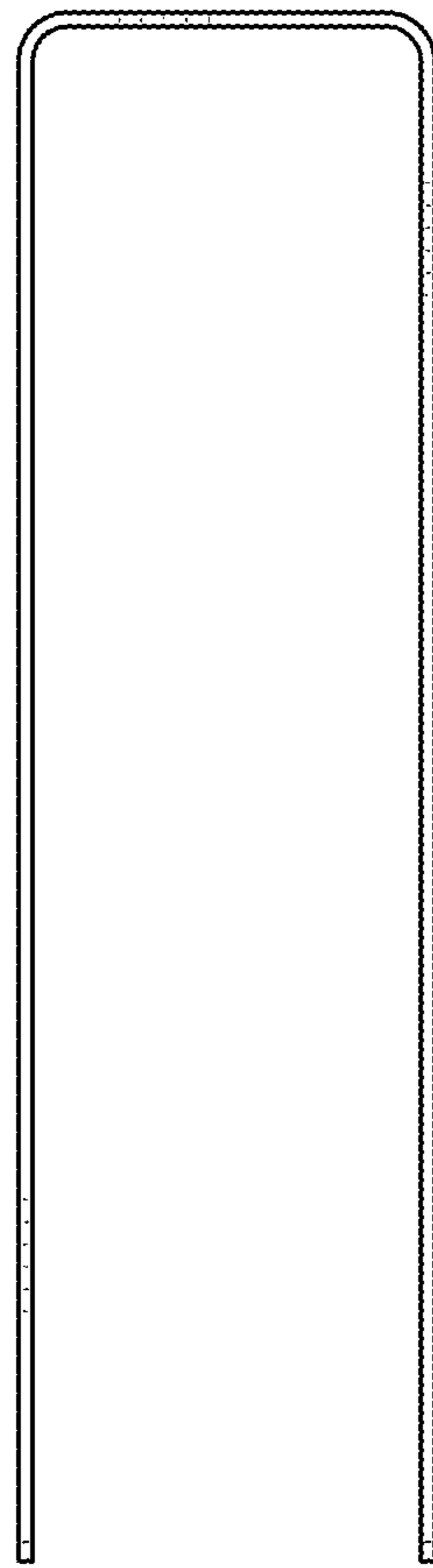


FIG. 5

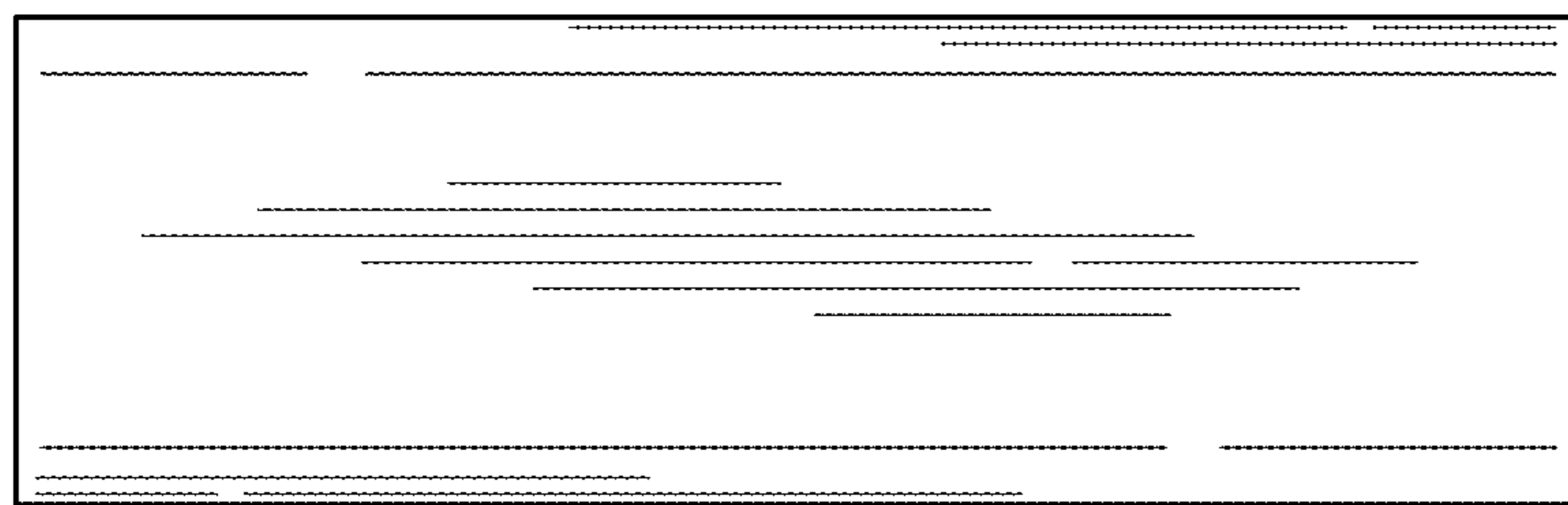


FIG. 6

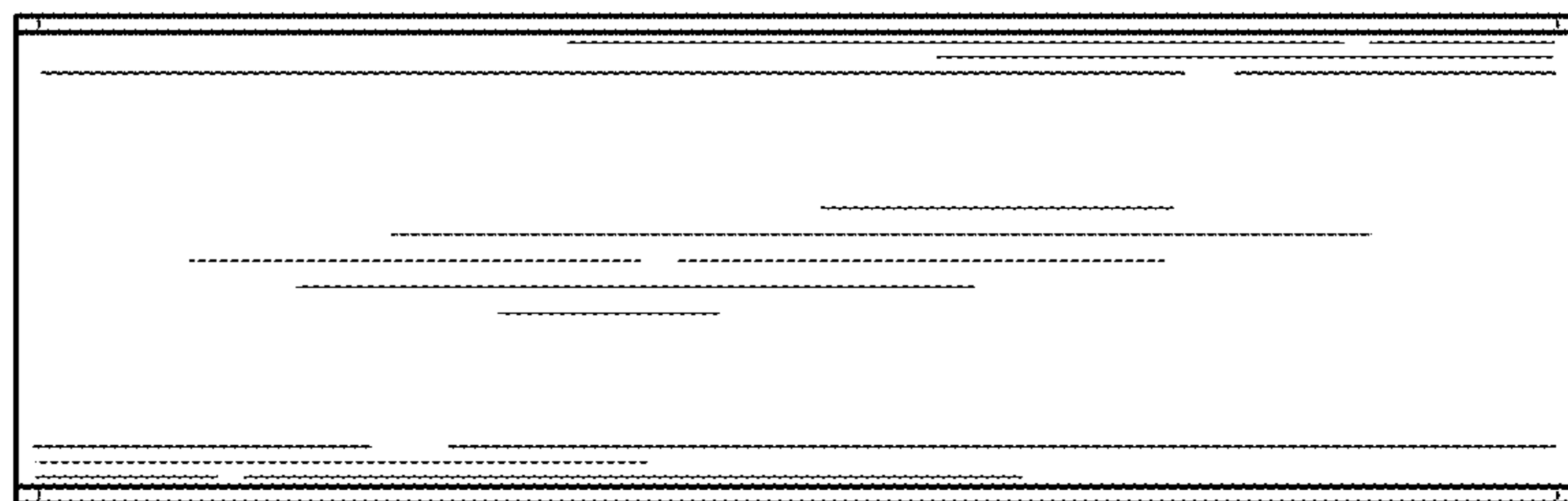


FIG. 7

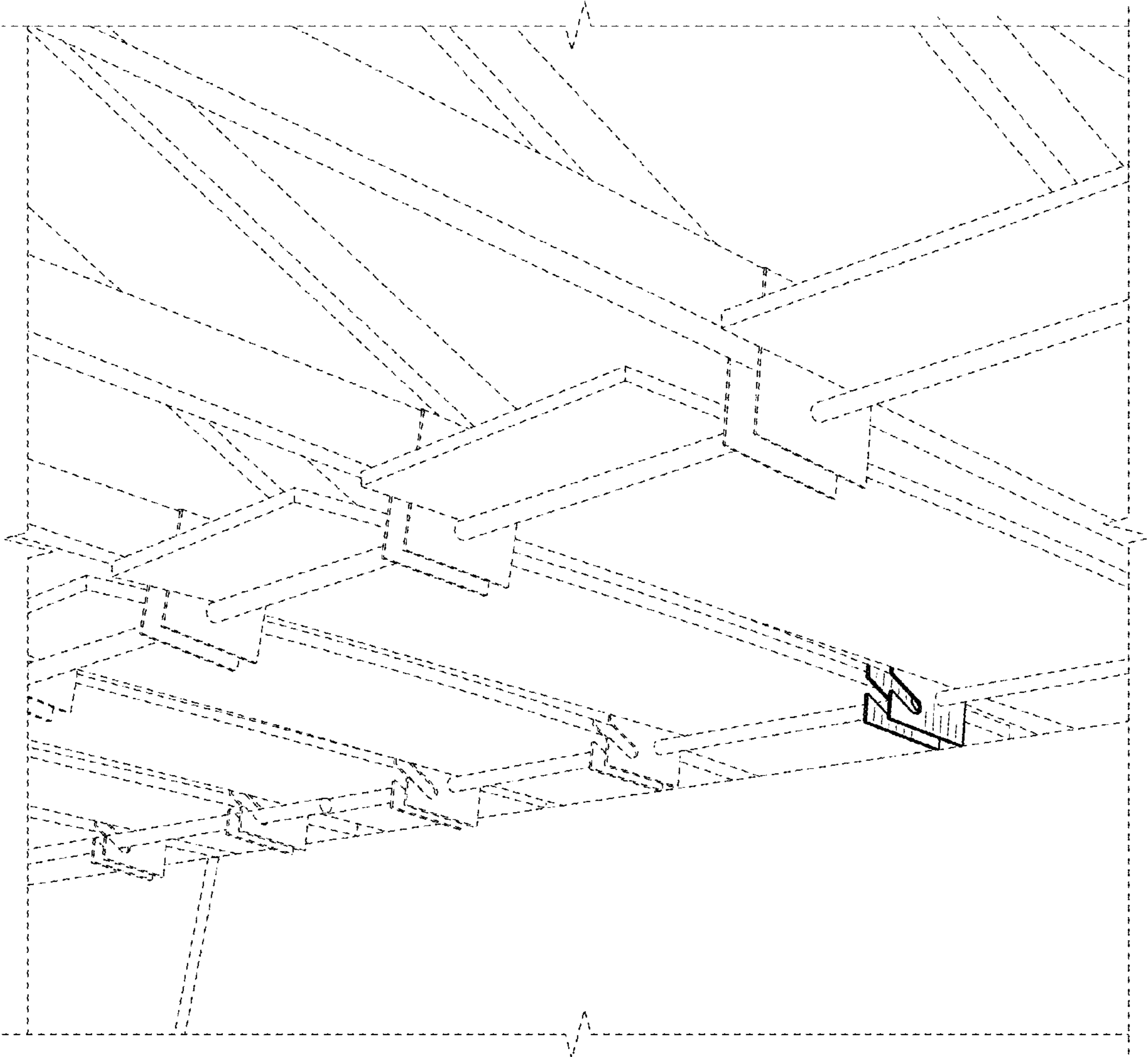


FIG. 8