



US00D875508S

(12) **United States Design Patent** (10) **Patent No.:** **US D875,508 S**
Bailey (45) **Date of Patent:** **** Feb. 18, 2020**

(54) **CORD REEL**

(71) Applicant: **Logan Bailey**, Provo, UT (US)

(72) Inventor: **Logan Bailey**, Provo, UT (US)

(**) Term: **15 Years**

(21) Appl. No.: **29/615,329**

(22) Filed: **Aug. 28, 2017**

(51) **LOC (12) Cl.** **08-05**

(52) **U.S. Cl.**
USPC **D8/358**

(58) **Field of Classification Search**
USPC D08/373, 358, 359, 354, 71, 330, 336,
D08/351, 356, 360.1, 363, 364, 367, 370,
D08/372, 379, 381, 382, 395, 396;
D06/349, 352; D09/426, 502, 750;
D10/72, 73, 89; D11/79, 93; D13/103,
D13/107; D19/67; D21/673, 674, 675,
D21/839, 840; D25/19, 62, 68, 69;
D26/40, 49; D29/122, 124; D30/153,
D30/155

CPC B65H 75/40; B65H 75/4407; B65H
75/4471; B65H 2701/34; B65H 2701/32;
B65H 2511/142; B65H 29/008; B65H
2701/33; B65H 54/585; B65H 51/22;
B65H 75/08; B65H 75/02; B65H
2301/41485; B65H 75/4468; B65H
2301/414323; B65H 2301/414325; B65H
16/02; B65H 2301/4131; B65H 75/403;
B65H 75/441; B65D 85/66; B65D 85/67;
B66D 3/006; B66D 3/18; B66D 3/26;
B66D 3/02; B66D 3/14; B63B 21/18;
B63B 21/26; B65B 57/005; A61G
7/1051; A61G 7/1061; B66B 11/08;
A62C 33/04; B08B 2203/0276; B21C
47/28; H02G 11/02; A01K 89/003; H04M
1/15; A01D 34/822; A47L 9/26; H04R
1/1033; Y10S 24/909; E05C 19/10; E05C
17/50; E05C 3/045; E05C 3/30; E05C

(Continued)

(56) **References Cited**

U.S. PATENT DOCUMENTS

D260,962 S * 9/1981 Hechler, IV D8/359
D414,431 S * 9/1999 Tran D10/2

(Continued)

OTHER PUBLICATIONS

Fuse Reel The Side Winder Magsafe, posted Mar. 17, 2018,
[retrieved Aug. 19, 2019]. Retrieved from Internet, <URL: <https://www.amazon.com/Side-Winder-Original-Organizer-Compatible/dp/B07BB8DFBW> >.*

(Continued)

Primary Examiner — Karen E Kearney

Assistant Examiner — Kristin E Reed

(74) *Attorney, Agent, or Firm* — Wright Law Group,
PLLC; Mark F. Wright

(57) **CLAIM**

The ornamental design for a cord reel, as shown and
described.

DESCRIPTION

FIG. 1 is a top perspective view of a cord reel showing the
new design;

FIG. 2 is a front side view thereof;

FIG. 3 is a rear side view thereof;

FIG. 4 is a left side view thereof;

FIG. 5 is a right side view thereof;

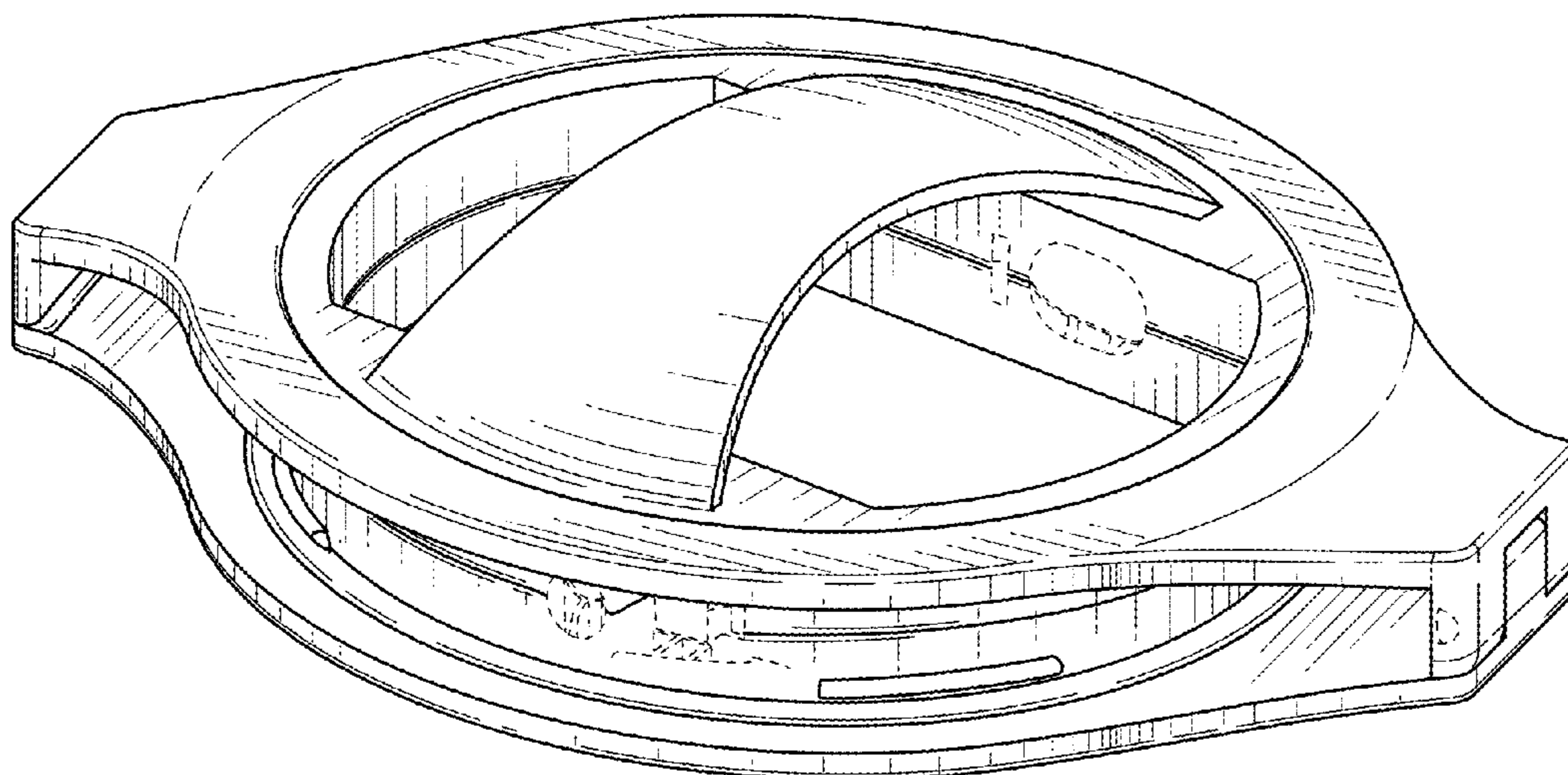
FIG. 6 is a top view thereof;

FIG. 7 is a bottom view thereof; and,

FIG. 8 is a top perspective view thereof, with a power
adaptor and cord (shown in dashed lines) positioned within
the cord reel.

The broken line showing of a cable and block in FIG. 8
depict an environment of use. The remaining broken lines
shown throughout the figures depict portions of the cord
reel. The broken lines form no part of the claimed design.

1 Claim, 6 Drawing Sheets



(58) **Field of Classification Search**

CPC ... 19/02; E05C 19/026; A47G 25/0614; A47G 25/18; A47G 25/32; A47G 7/047; A47G 7/045; A47G 7/042; A47G 7/044; F16B 12/44; F16B 12/46; F16B 5/0614; F16B 12/02; F16B 1/2612; F16B 2001/2415; F16B 1/5818; F16B 1/5831; A47B 88/0055; E04F 11/1812; F16L 1/0246; A01G 9/024; A01G 25/14; A01G 27/001; A01G 9/042; A01G 27/005; A01G 31/001; A01G 9/02; A01G 9/083; A01G 9/12

See application file for complete search history.

(56) **References Cited**

U.S. PATENT DOCUMENTS

6,092,826 A * 7/2000 Pingel B60D 1/18
280/449
D451,075 S * 11/2001 Hwang D13/154

6,328,243 B1 * 12/2001 Yamamoto B65H 75/4449
191/12.2 R
6,349,893 B1 * 2/2002 Daoud B65H 75/406
242/376
D461,168 S * 8/2002 Liao D13/155
D475,608 S * 6/2003 Lin D8/359
D505,859 S * 6/2005 Suzuki D8/358
D639,190 S * 6/2011 Cook D10/72
D748,924 S * 2/2016 Walser D6/352
D794,555 S * 8/2017 Meyerhoffer D13/107
2018/0277988 A1 * 9/2018 Bailey H01R 13/6271

OTHER PUBLICATIONS

The Side Winder by Fuse: Wind your charger with ease, posted Sep. 19, 2017, [retrieved Aug. 19, 2019]. Retrieved from Internet, <URL: <https://www.kickstarter.com/projects/341336269/the-side-winder-wind-your-macbook-charger-with-eas?ref=discovery&term=The%20Side%20Winder> >.*

* cited by examiner

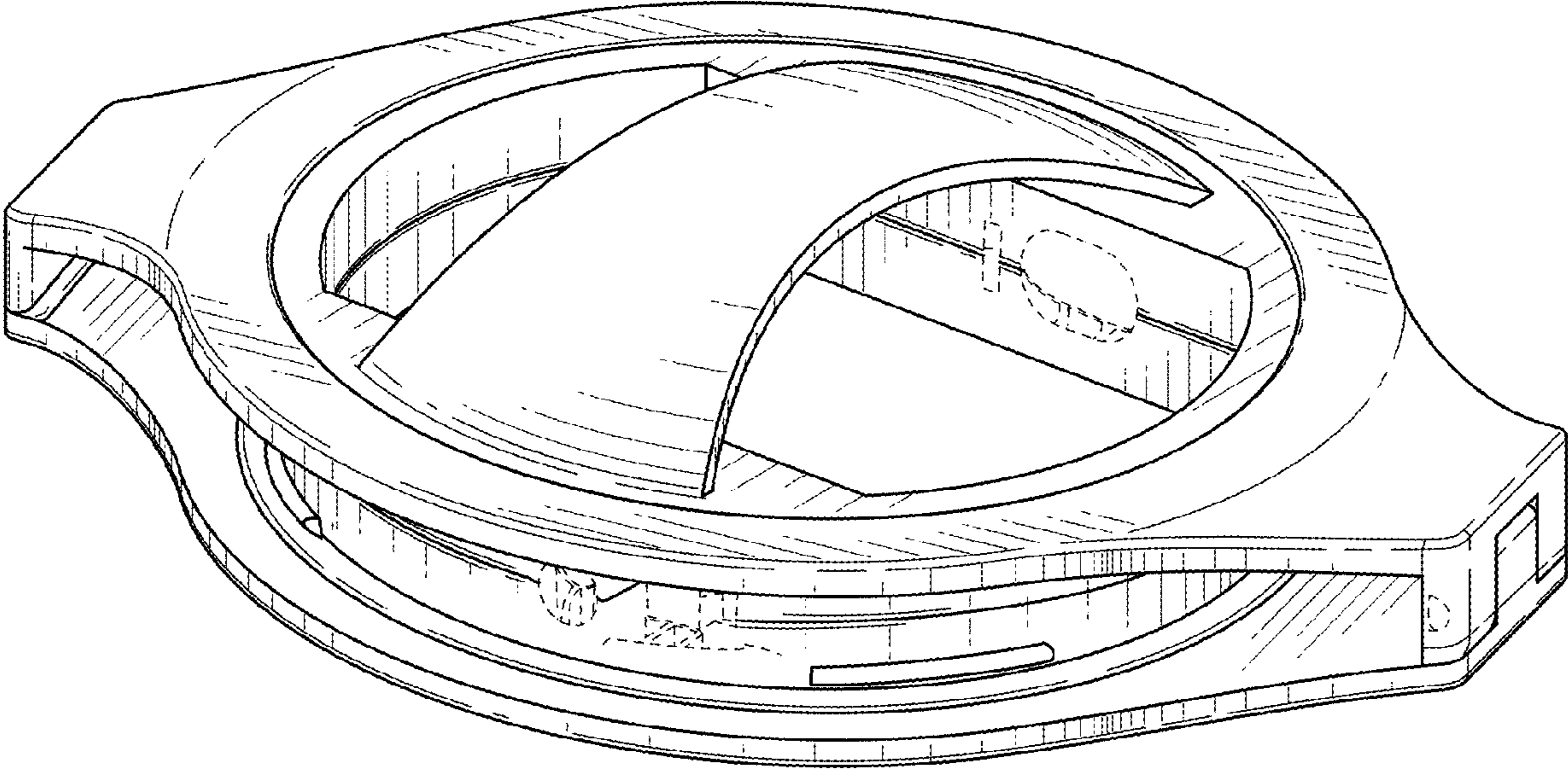


FIG. 1

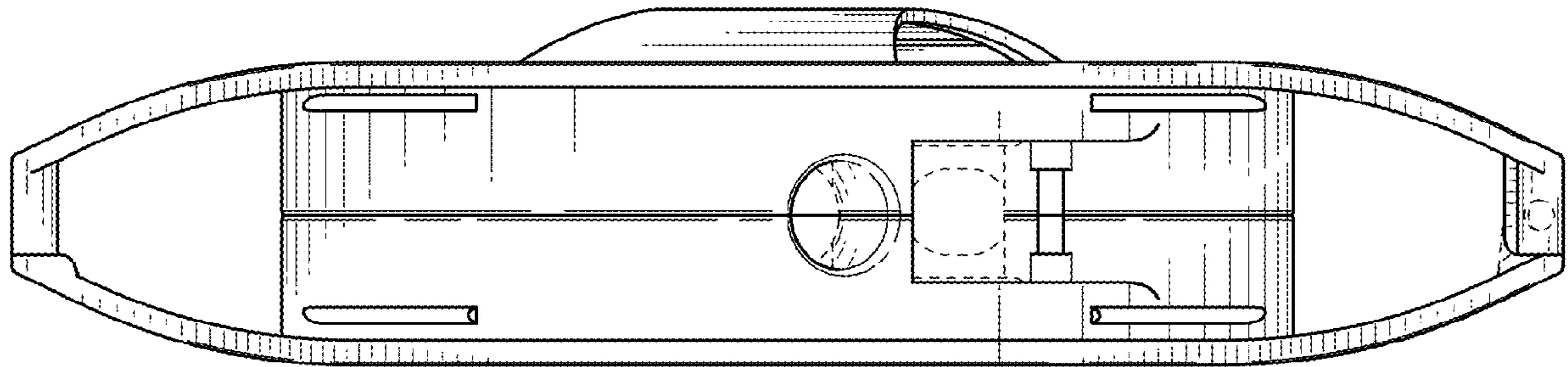


FIG. 2

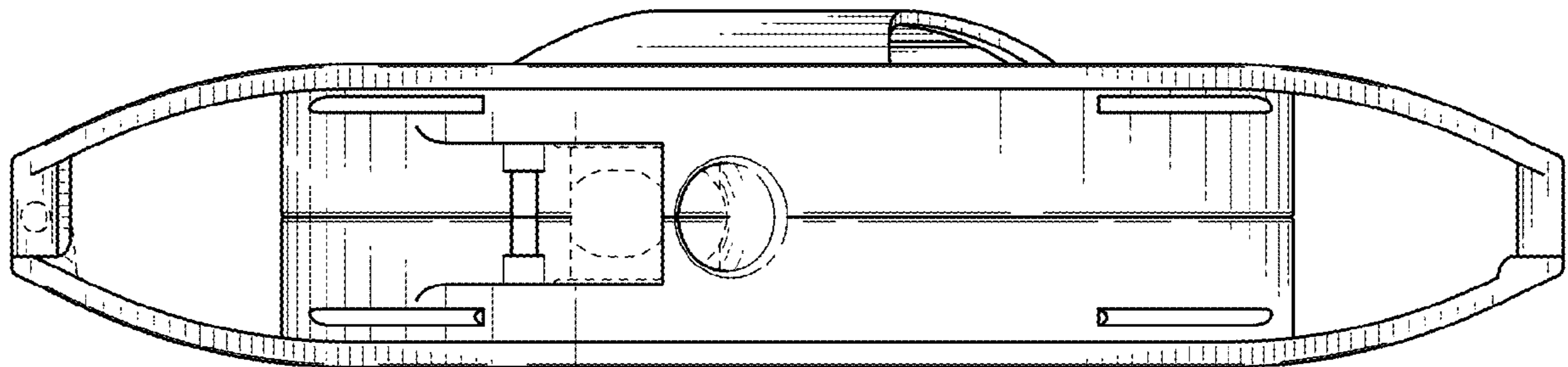


FIG. 3

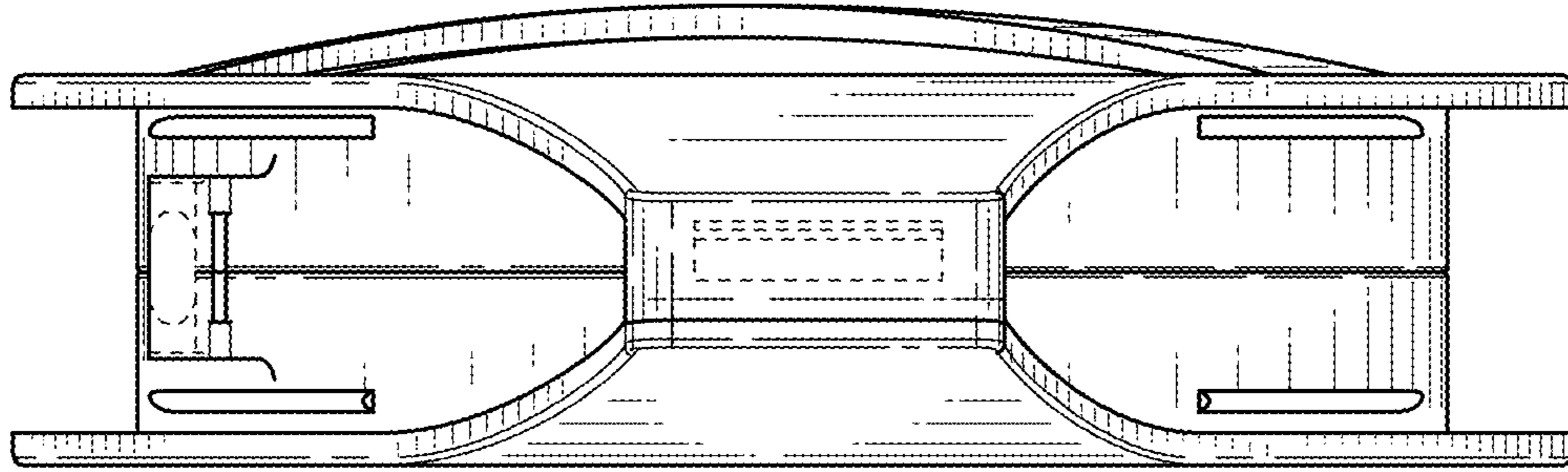


FIG. 4

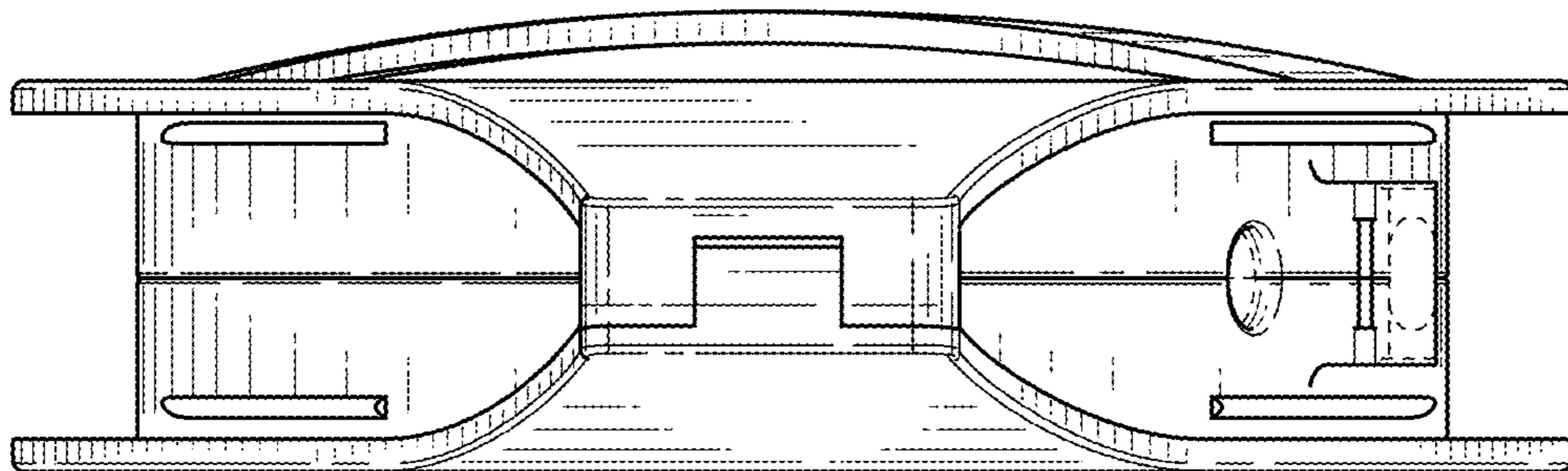


FIG. 5

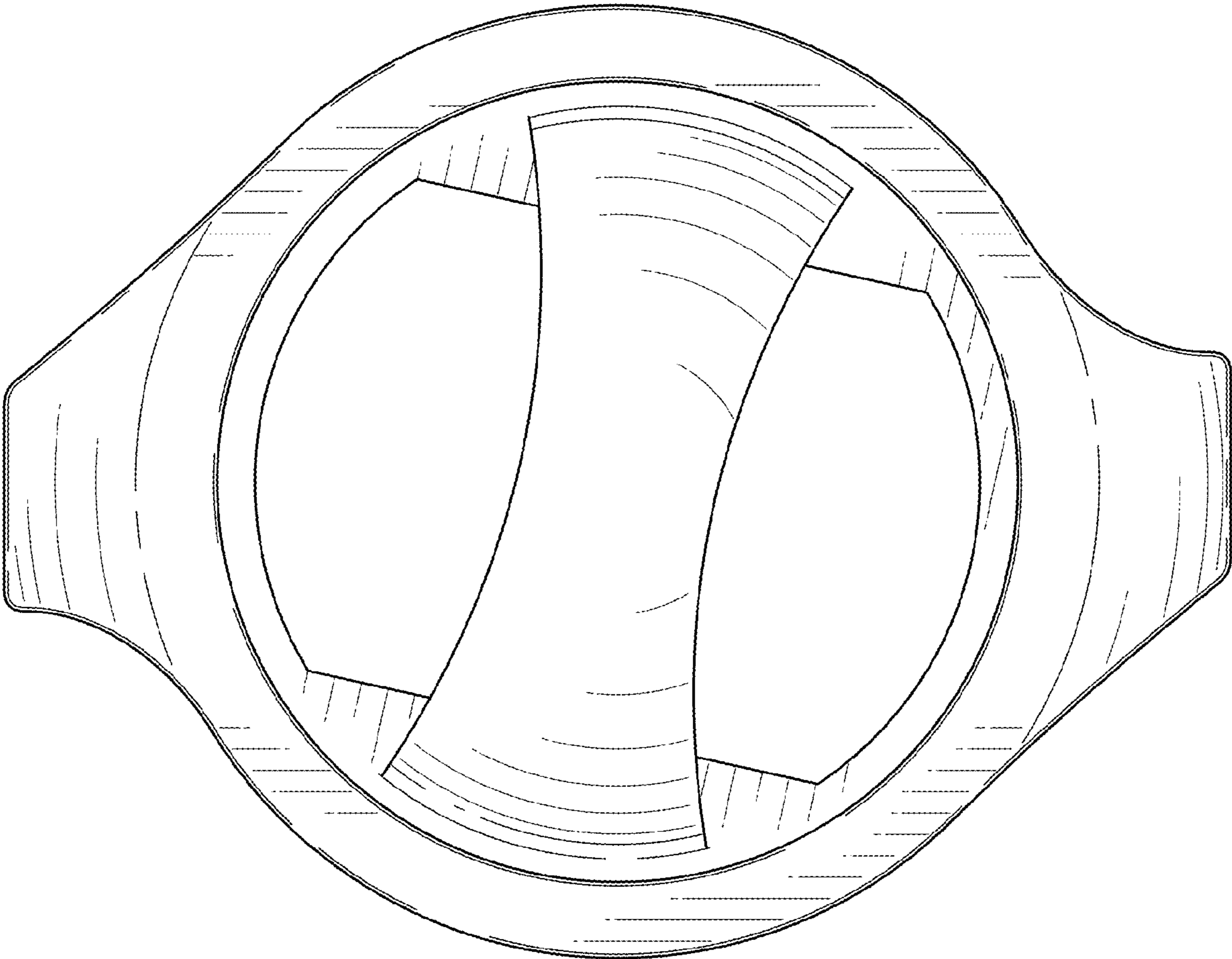


FIG. 6

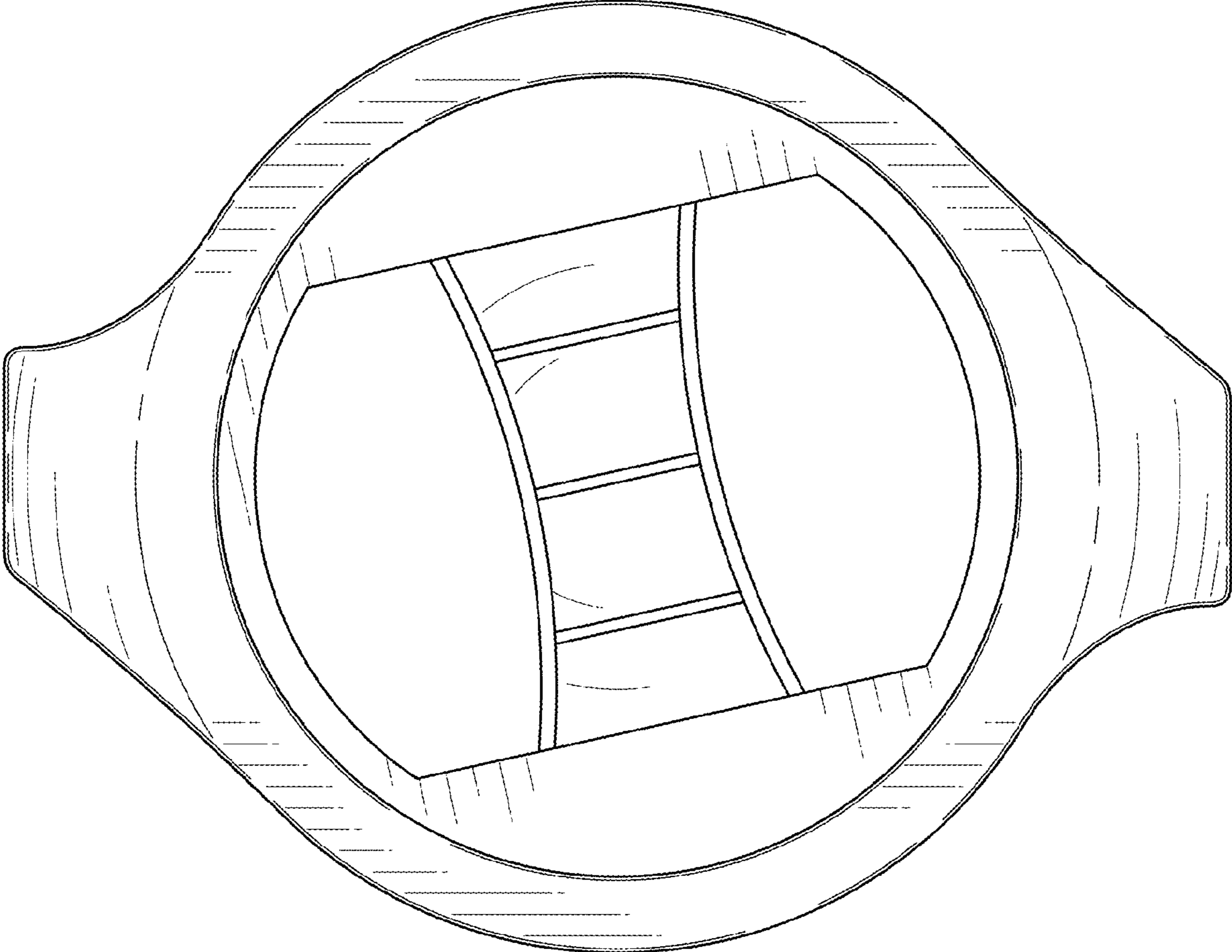


FIG. 7

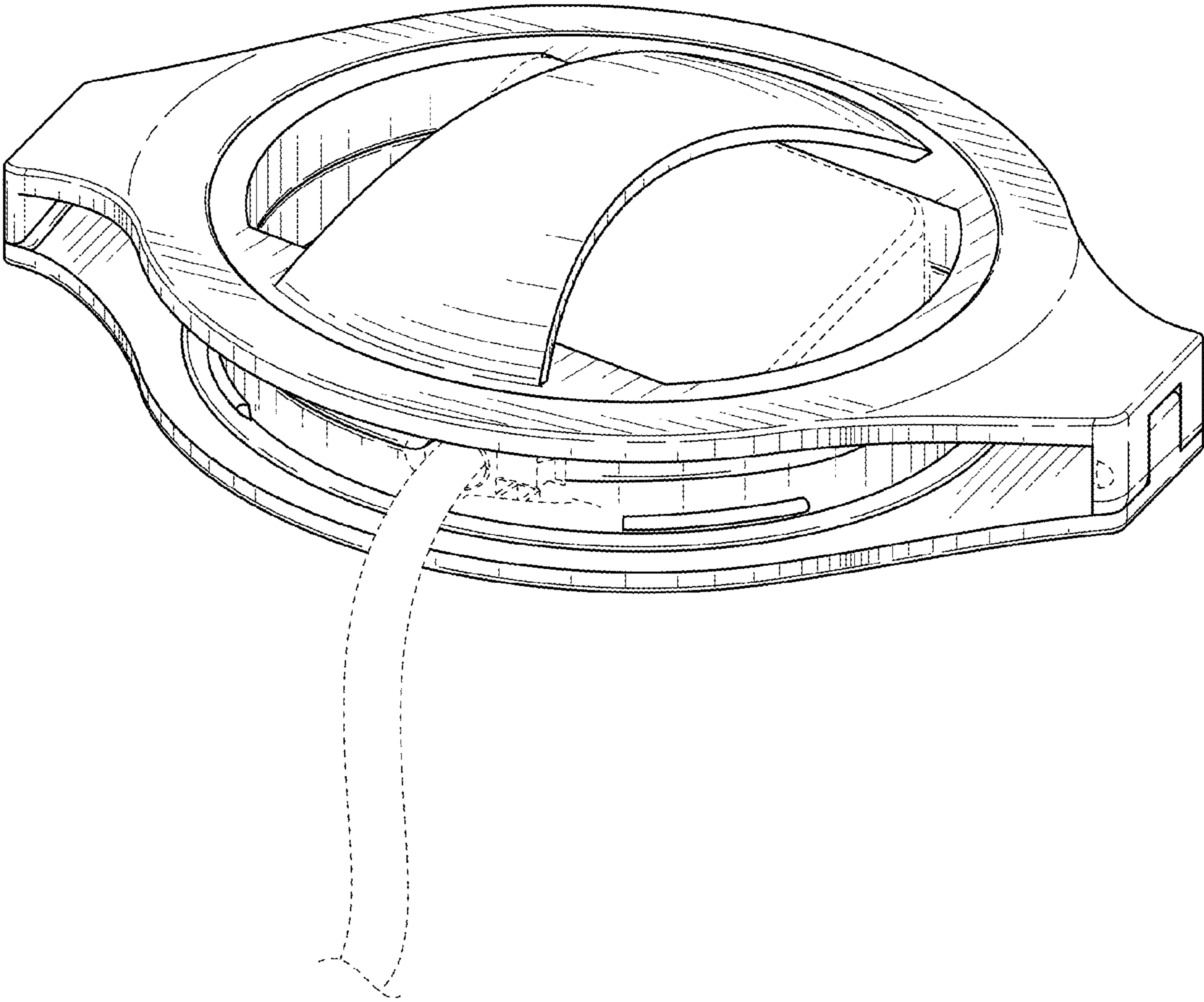


FIG. 8