



US00D875507S

(12) **United States Design Patent** (10) **Patent No.:** **US D875,507 S**  
**Petzl** (45) **Date of Patent:** **\*\* Feb. 18, 2020**

(54) **BELAY AND RAPPEL DEVICE**

(71) Applicant: **ZEDEL**, Crolles (FR)

(72) Inventor: **Paul Petzl**, Barraux (FR)

(73) Assignee: **ZEDEL**, Crolles (FR)

(\*\*) Term: **15 Years**

(21) Appl. No.: **29/669,040**

(22) Filed: **Nov. 5, 2018**

(30) **Foreign Application Priority Data**

May 3, 2018 (EM) ..... 005256815-0001

(51) **LOC (12) Cl.** ..... **09-06**

(52) **U.S. Cl.**  
USPC ..... **D8/356**

(58) **Field of Classification Search**  
USPC ..... D8/356, 354, 349, 99, 105; D13/155;  
320/107; 403/322.2; D3/201; 431/274  
CPC ..... H02J 7/0026; H02J 7/0021; H02J 7/0027;  
Y02E 60/12; F16B 45/00; F16B 7/042;  
F23Q 1/06  
See application file for complete search history.

(56) **References Cited**

**U.S. PATENT DOCUMENTS**

D406,048 S \* 2/1999 Graham ..... D8/356  
D413,786 S \* 9/1999 Graham ..... D8/356  
6,009,977 A \* 1/2000 Pelofi ..... A62B 1/14  
182/192

6,467,574 B2 \* 10/2002 Lara ..... A62B 35/0056  
182/3  
D466,794 S \* 12/2002 Malkiel ..... D8/356  
6,681,891 B2 \* 1/2004 Richard ..... A62B 1/14  
182/192  
D586,001 S \* 2/2009 Petzl ..... D25/69  
D593,846 S \* 6/2009 Bates ..... D8/363  
D716,132 S \* 10/2014 Gobbi ..... D8/356  
D763,064 S \* 8/2016 Paglioli ..... D8/356  
9,498,655 B2 \* 11/2016 Paglioli ..... A62B 1/14  
9,636,526 B2 \* 5/2017 Galyan ..... A62B 1/14  
2011/0114415 A1 \* 5/2011 Chu ..... A62B 1/14  
182/5

\* cited by examiner

*Primary Examiner* — Cynthia R Underwood

(74) *Attorney, Agent, or Firm* — Oliff PLC

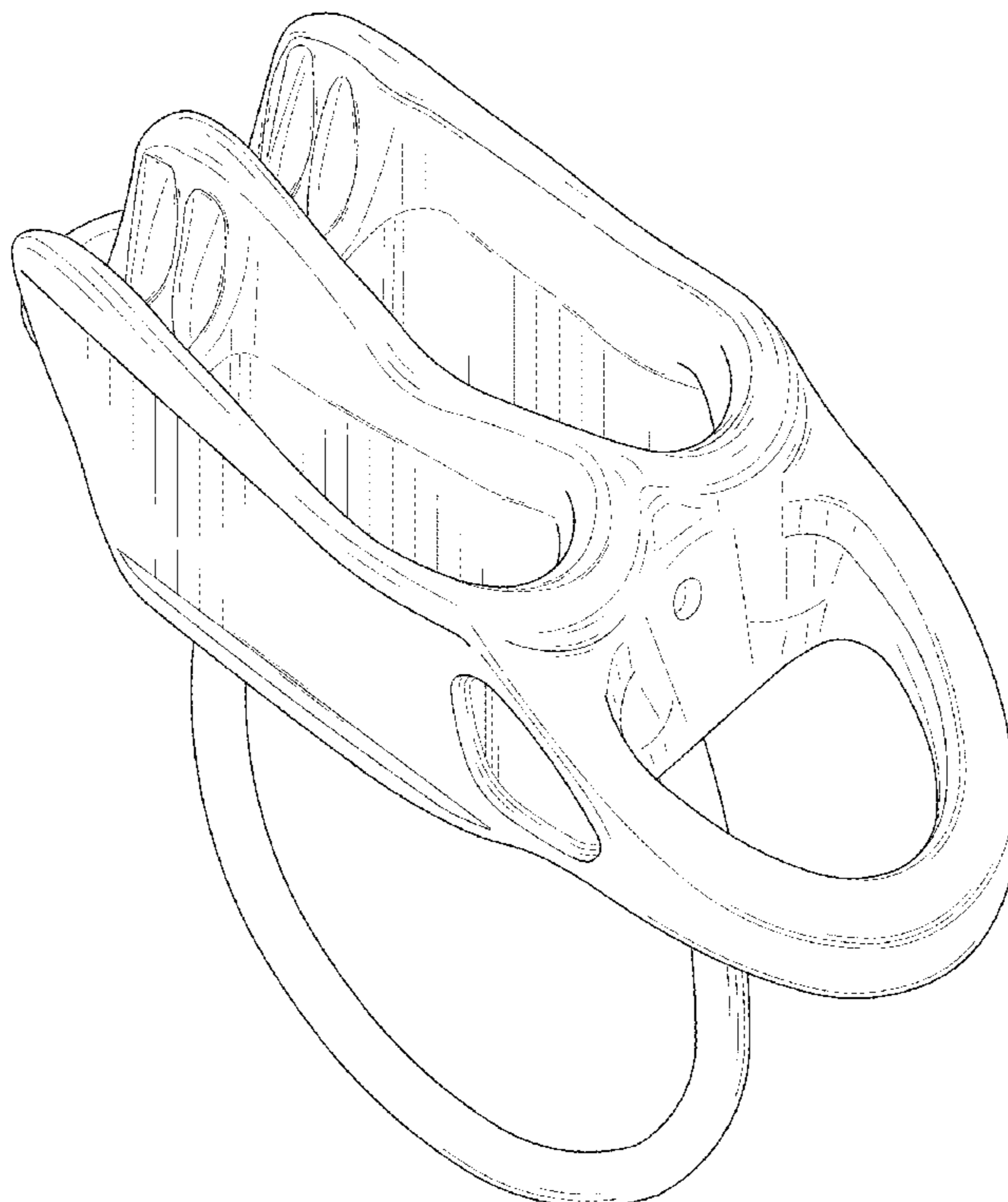
(57) **CLAIM**

The ornamental design for a belay and rappel device, as shown and described.

**DESCRIPTION**

FIG. 1 is a front, left-side, top perspective view of the belay and rappel device;  
FIG. 2 is a left-side elevational view thereof, the right-side elevational view (not provided) being a mirror image thereof;  
FIG. 3 is a top plan view thereof;  
FIG. 4 is a rear elevational view thereof;  
FIG. 5 is a front elevational view thereof;  
FIG. 6 is a bottom plan view thereof; and,  
FIG. 7 is a rear, right-side, top perspective view thereof.  
The broken lines depict parts of the belay and rappel device that form no part of the claimed design.

**1 Claim, 7 Drawing Sheets**



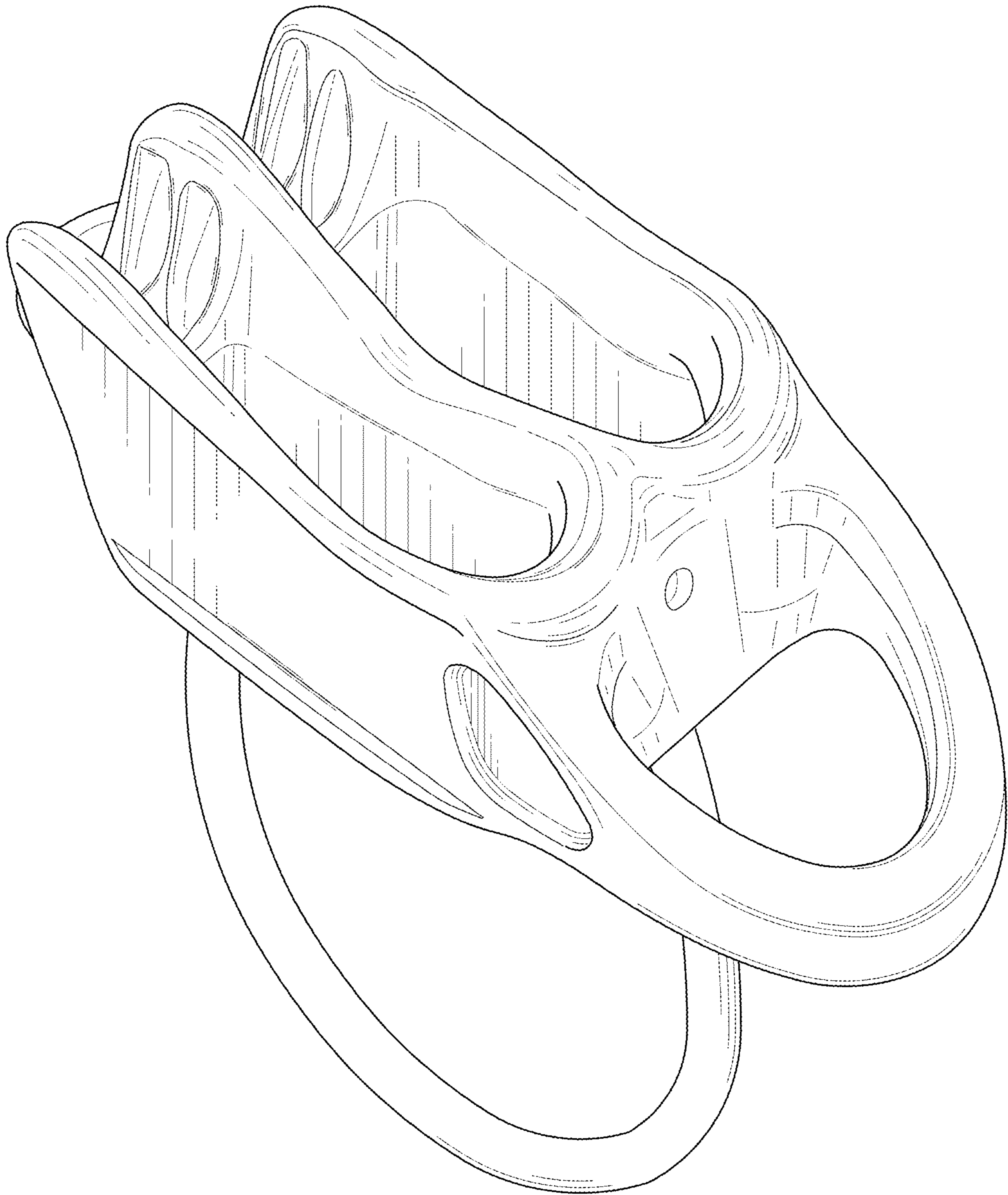


FIG. 1

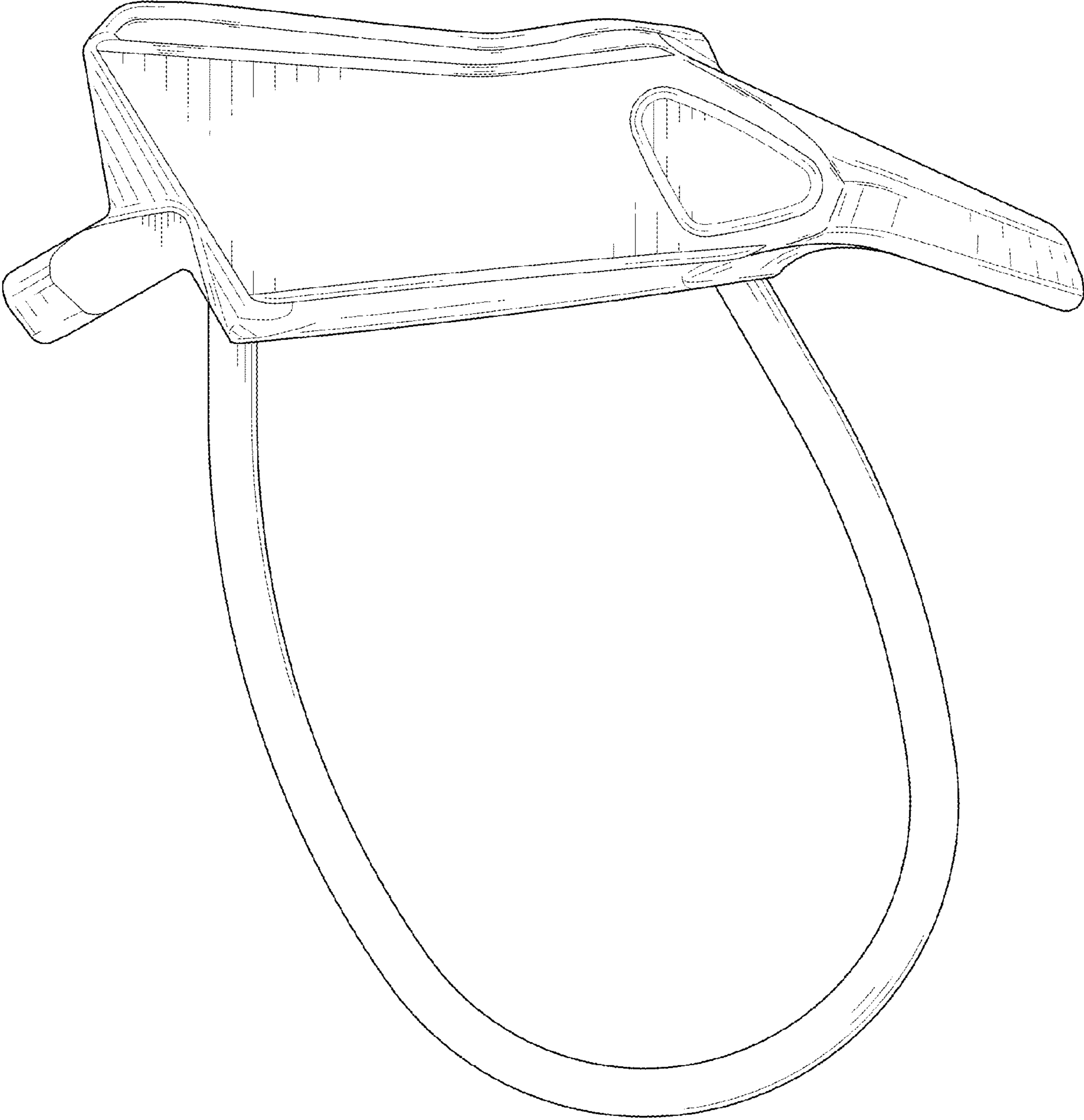


FIG. 2

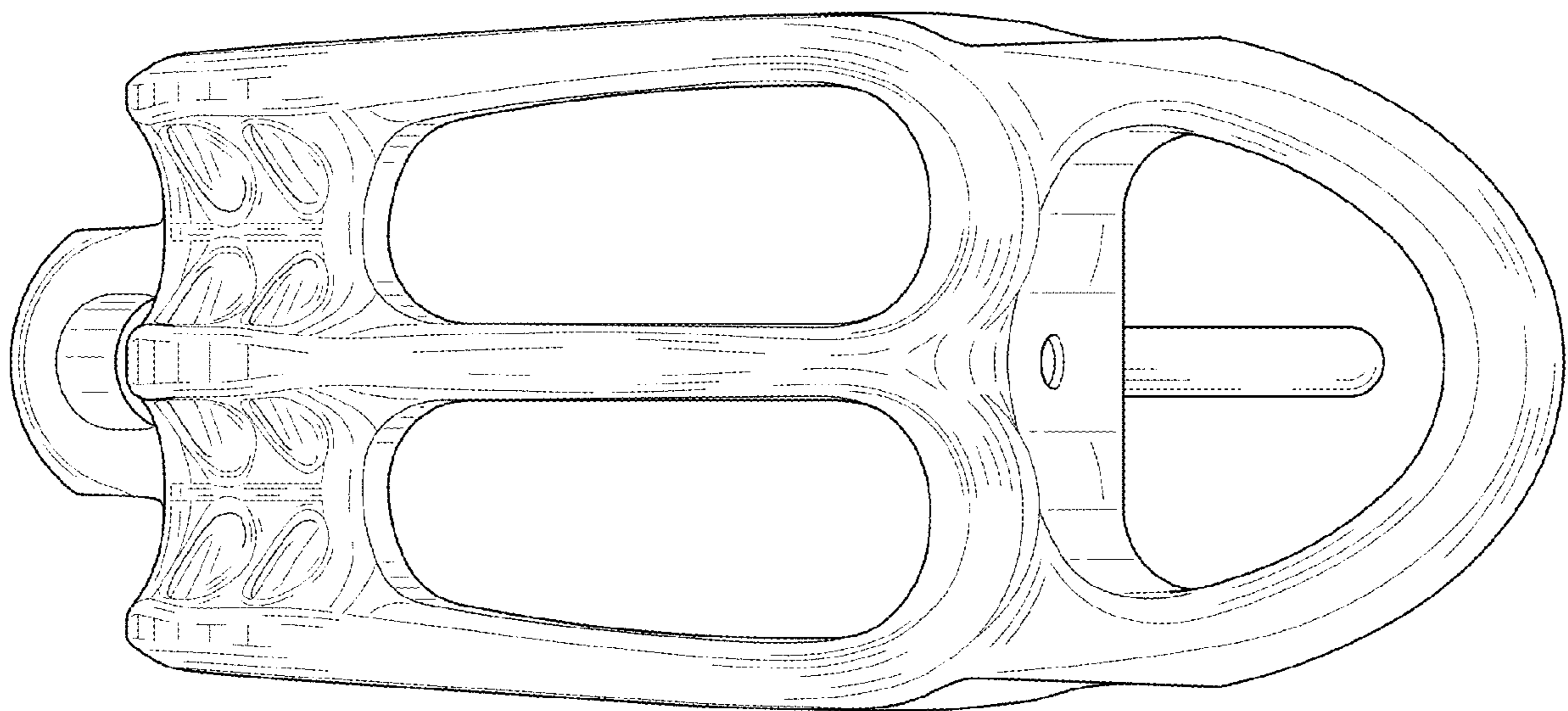


FIG. 3

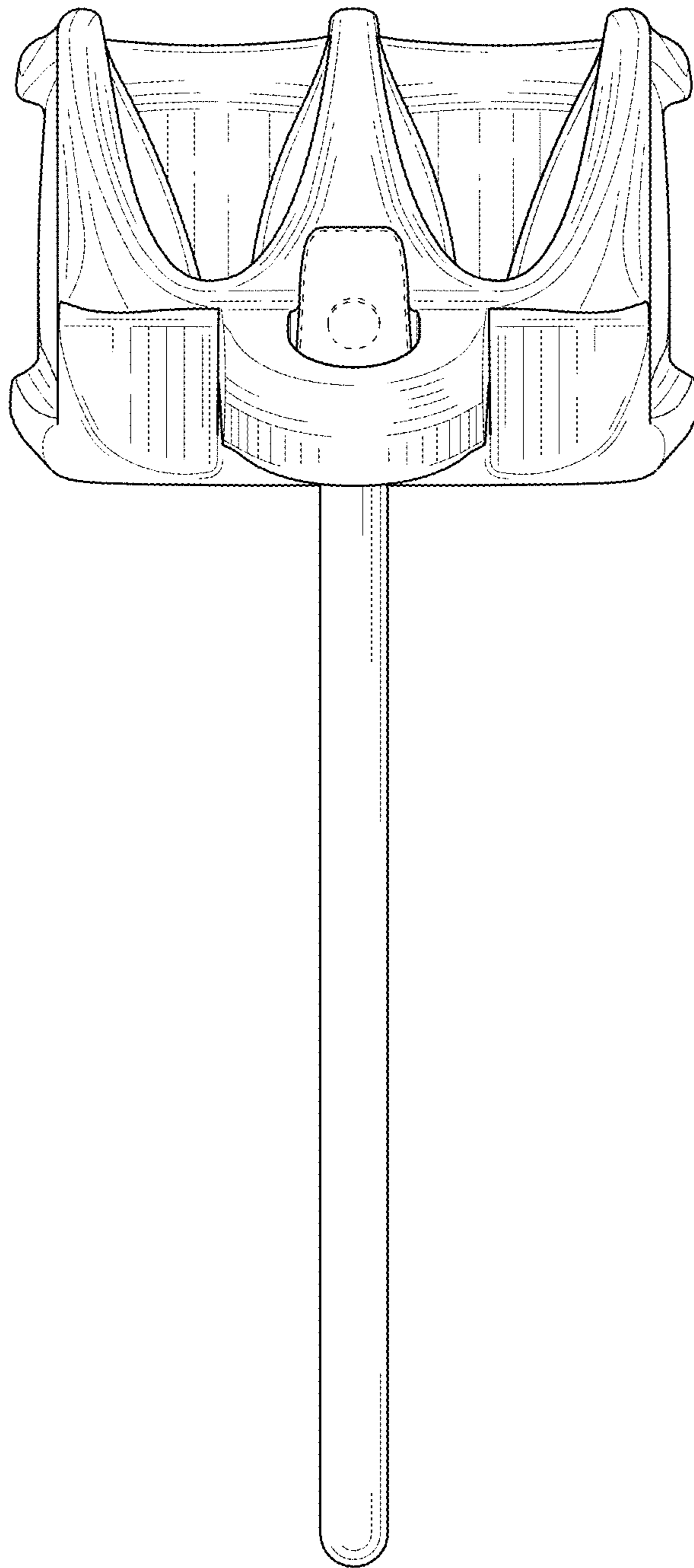


FIG. 4

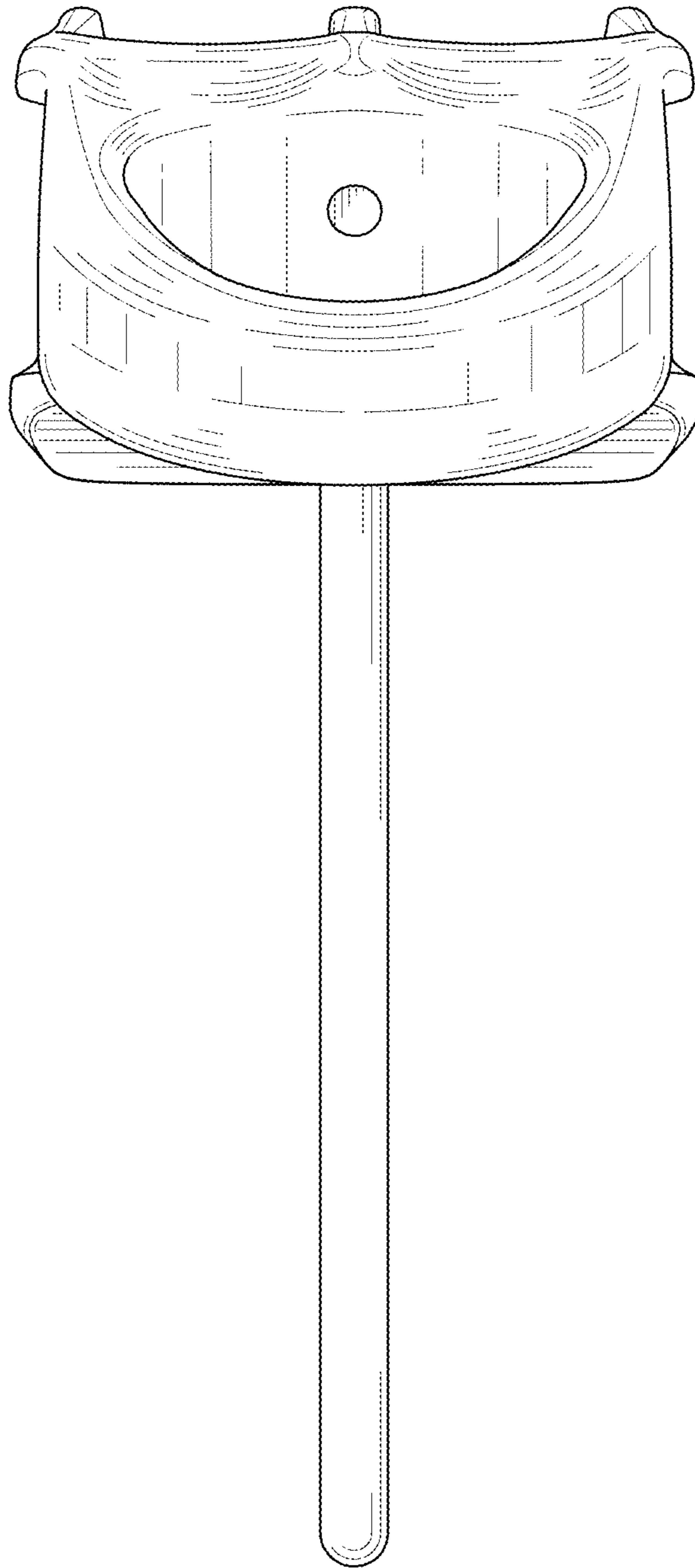


FIG. 5

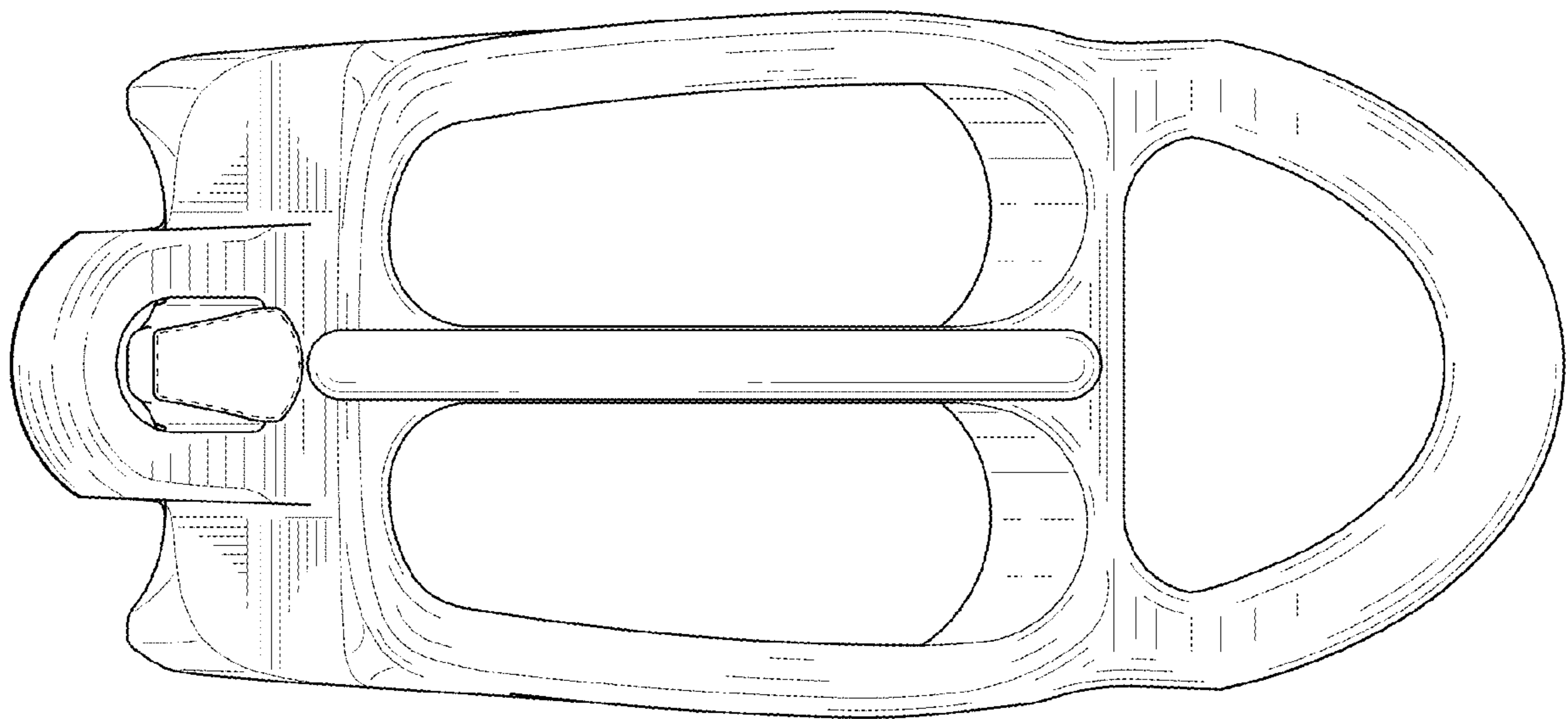


FIG. 6

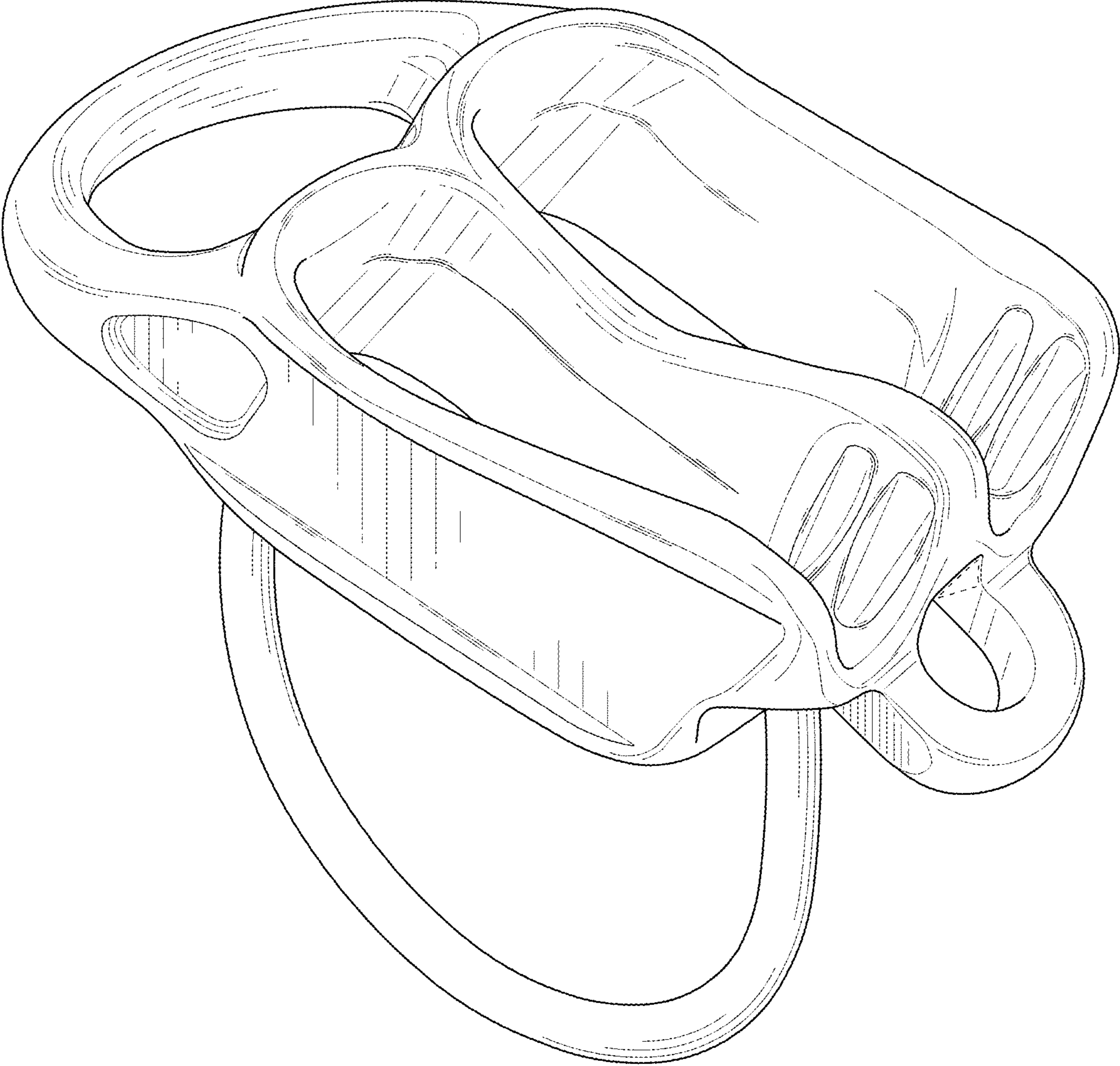


FIG. 7