

US00D875506S

(12) **United States Design Patent**
Neves

(10) **Patent No.:** **US D875,506 S**
(45) **Date of Patent:** **** Feb. 18, 2020**

- (54) **WHEEL BLOCK**
- (71) Applicant: **Flexcrane, Inc.**, Burleson, TX (US)
- (72) Inventor: **Vitor Hugo Carneiro dos Santos Neves**, Maia (PT)
- (73) Assignee: **FLEXCRANE, INC.**, Burleson, TX (US)
- (**) Term: **15 Years**
- (21) Appl. No.: **29/647,482**
- (22) Filed: **May 14, 2018**
- (51) **LOC (12) Cl.** **09-06**
- (52) **U.S. Cl.**
USPC **D8/356; D8/360**
- (58) **Field of Classification Search**
USPC D8/356, 354, 349, 360; D30/139;
D11/218; 24/129 R
See application file for complete search history.

- D330,671 S * 11/1992 Greene D34/33
- 6,244,570 B1 * 6/2001 Habberstad B66D 3/046
254/399
- D687,700 S * 8/2013 Petzl D8/360
- 8,579,261 B1 * 11/2013 Liao F16C 13/006
254/412
- D848,254 S * 5/2019 Sasaki D8/394

* cited by examiner

Primary Examiner — Cynthia R Underwood

(74) *Attorney, Agent, or Firm* — PatentTm.US; James H. Walters

(57) **CLAIM**

I claim the ornamental design for a wheel block, as shown and described.

DESCRIPTION

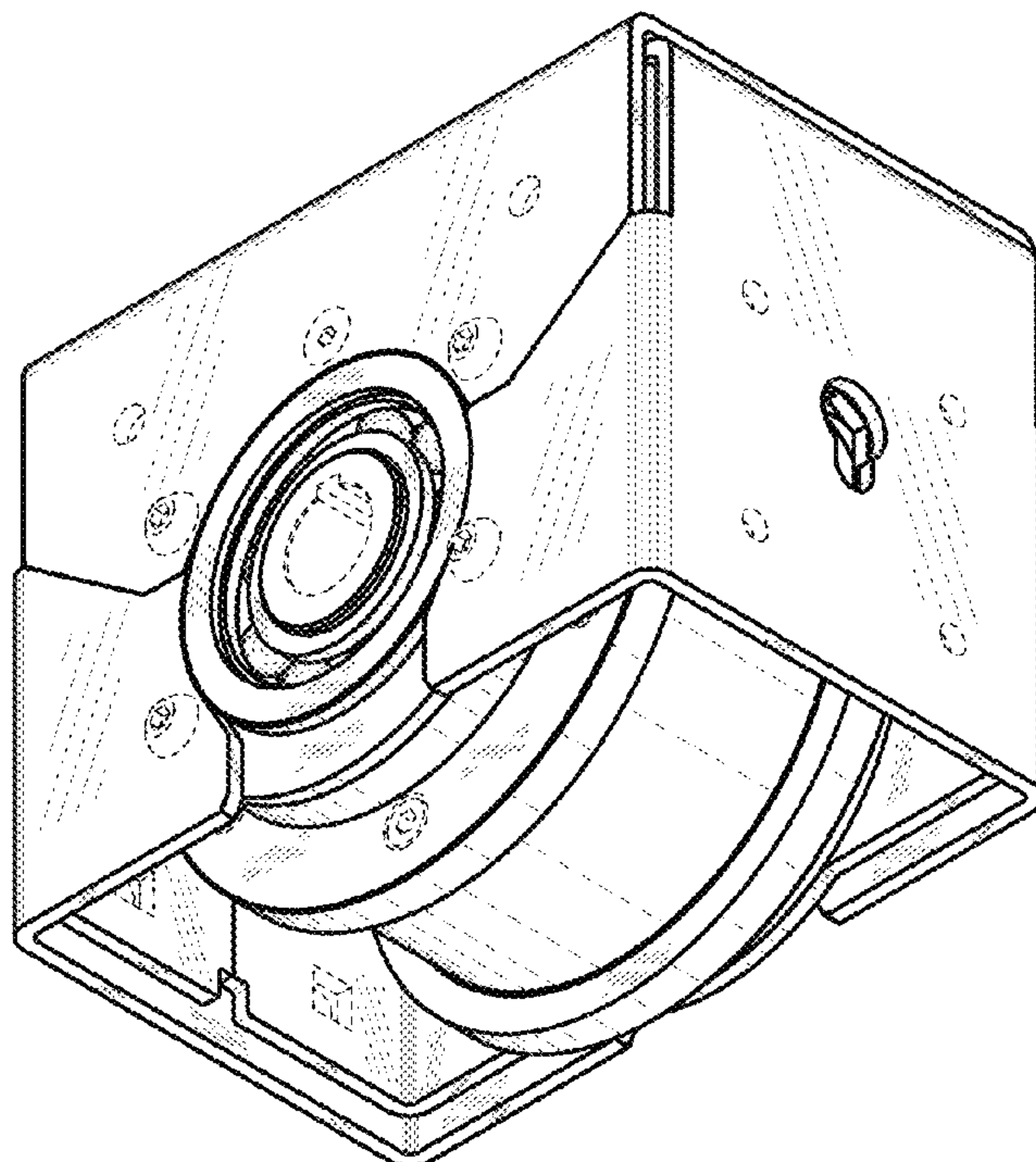
FIG. 1 is an isometric view of a wheel block, showing the new design;
 FIG. 2 is a left side view of the design of FIG. 1;
 FIG. 3 is a right side view of the design of FIG. 1;
 FIG. 4 is a top side view of the design of FIG. 1;
 FIG. 5 is a rear side view of the design of FIG. 1;
 FIG. 6 is a bottom side view of the design of FIG. 1;
 FIG. 7 is a front side view of the design of FIG. 1; and,
 FIG. 8 is an exploded view of the design of FIG. 1.
 The broken line portions in the drawings are for illustration of environmental structure or boundaries that form no part of the design.

(56) **References Cited**

U.S. PATENT DOCUMENTS

- D16,980 S * 11/1886 Kuhn D8/360
- 352,539 A * 11/1886 Handy B66D 3/04
254/412
- D28,397 S * 3/1898 Ocumpaugh D8/360
- D202,294 S * 9/1965 Heifetz D8/360
- 4,079,916 A * 3/1978 Einhorn B22D 19/12
2/909
- 4,834,331 A * 5/1989 Domingo G09F 7/20
242/129.6
- 5,154,401 A * 10/1992 Schramm B66D 3/06
254/390

1 Claim, 8 Drawing Sheets



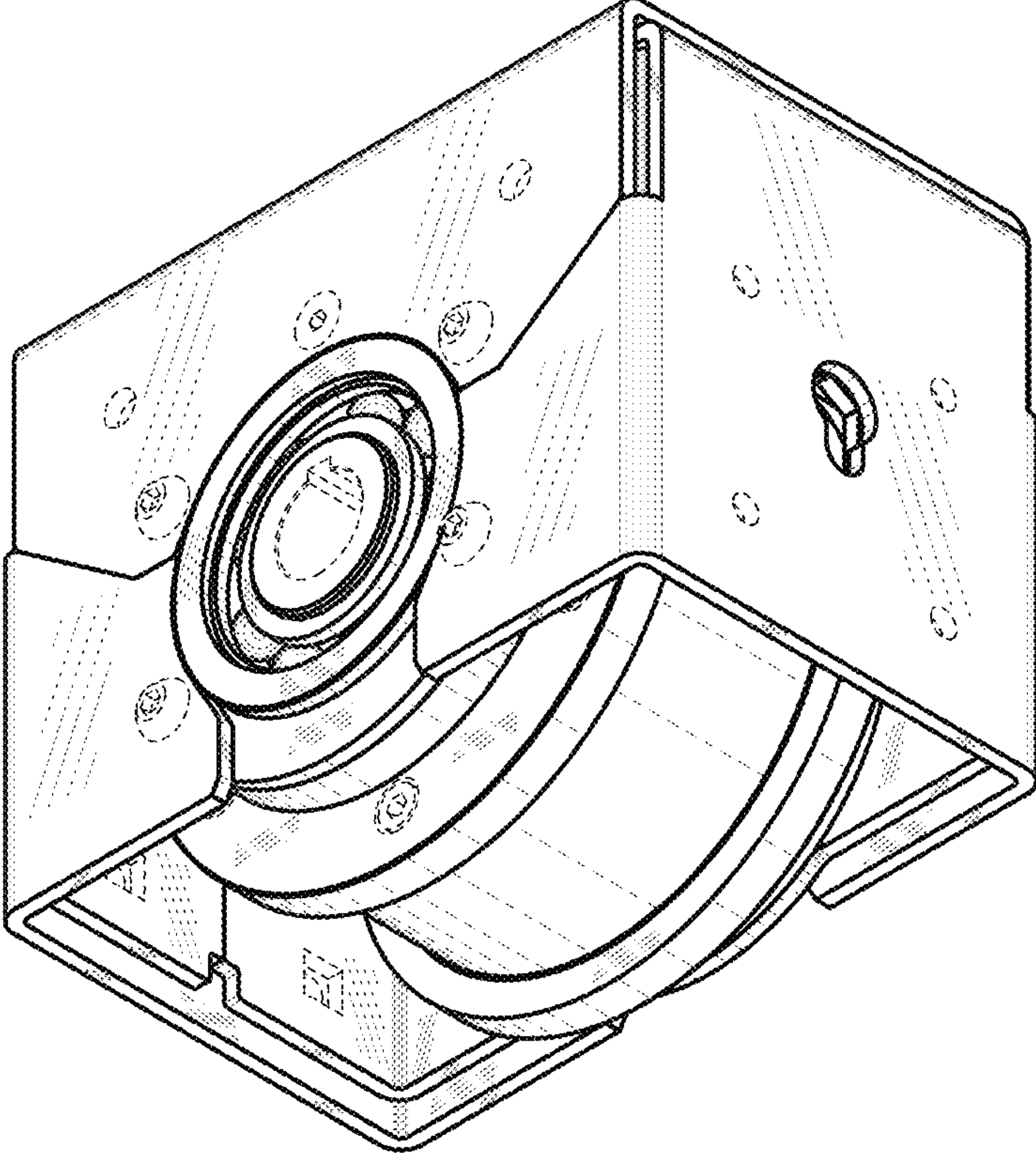


FIG. 1

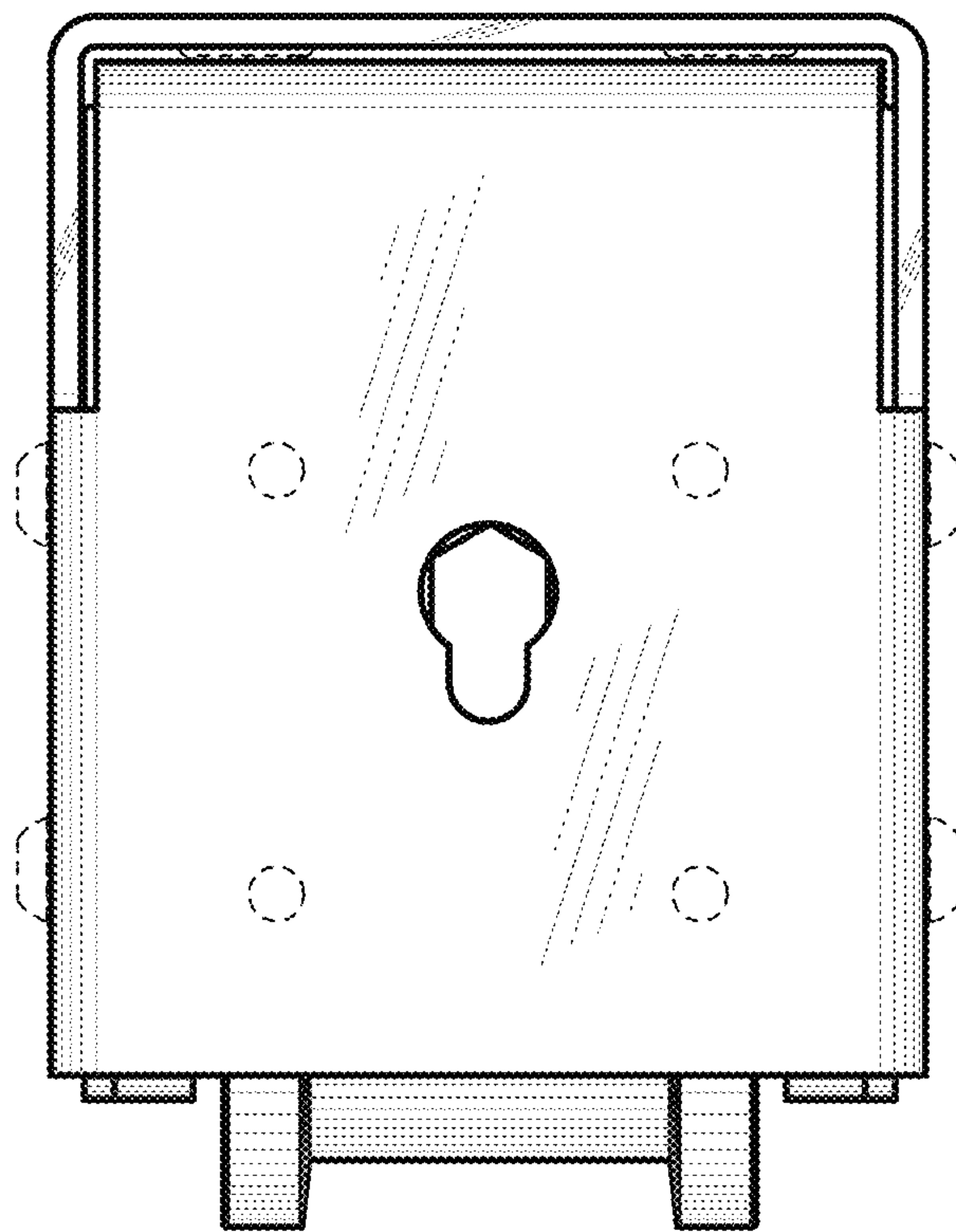


FIG. 2

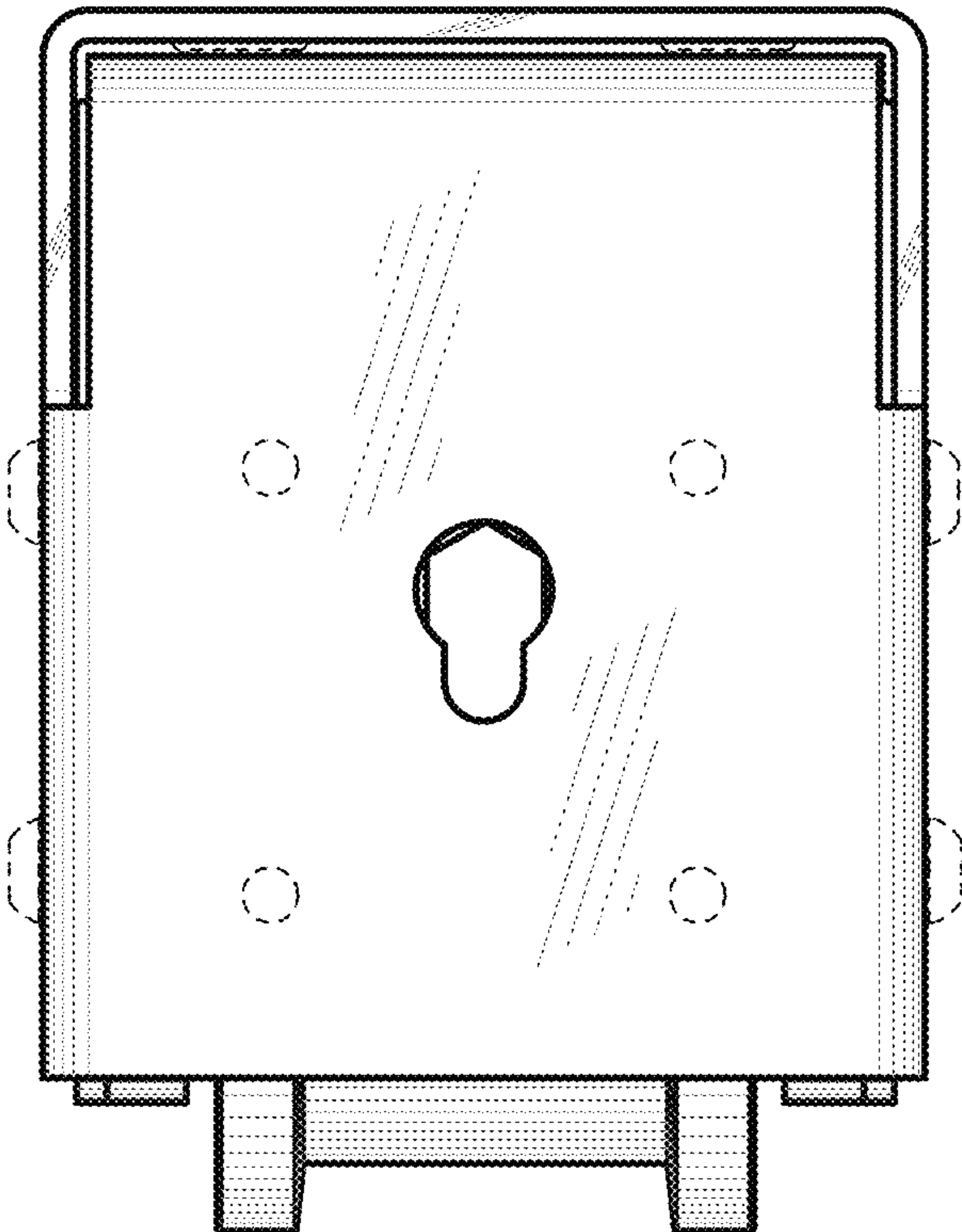


FIG. 3

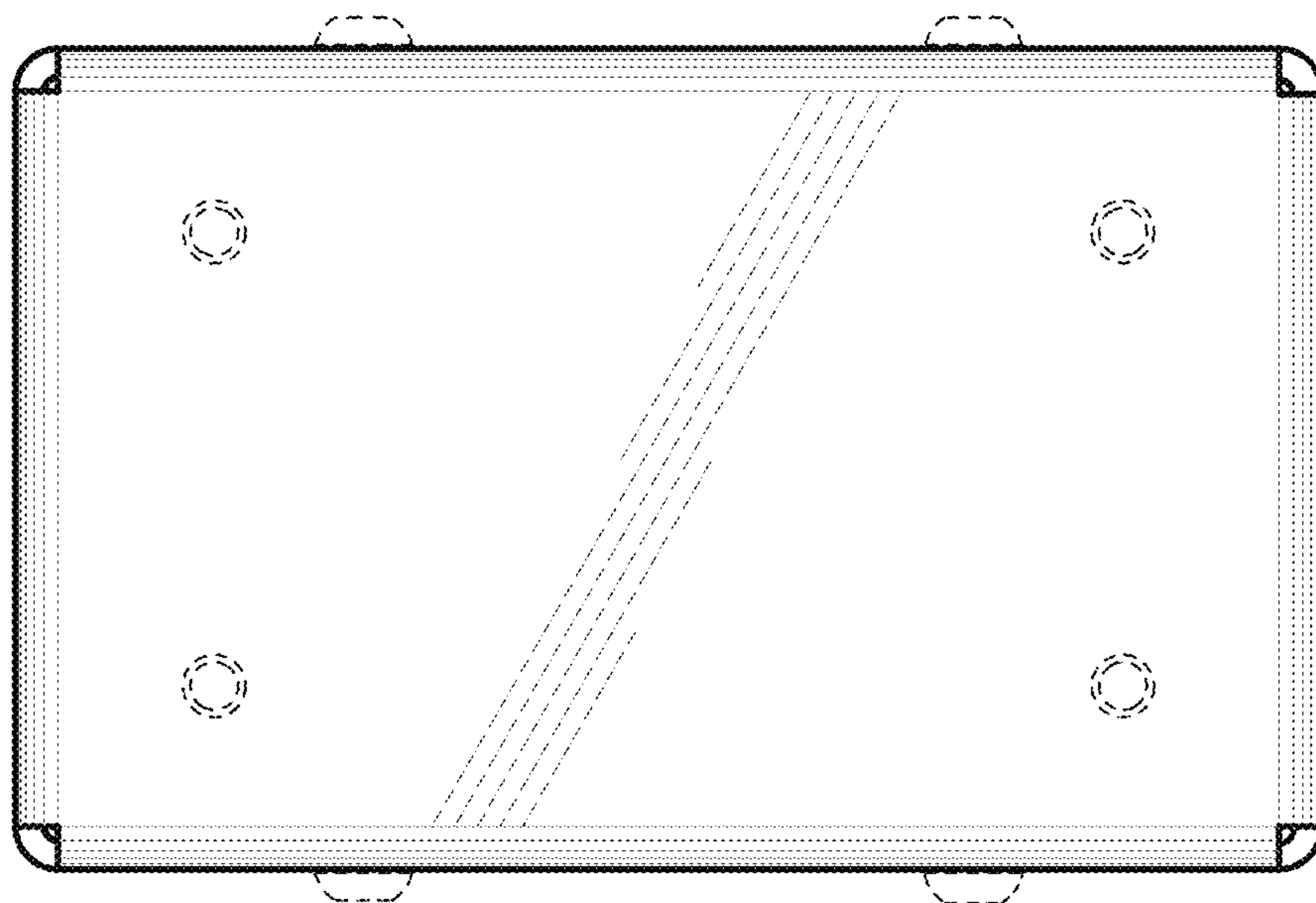


FIG. 4

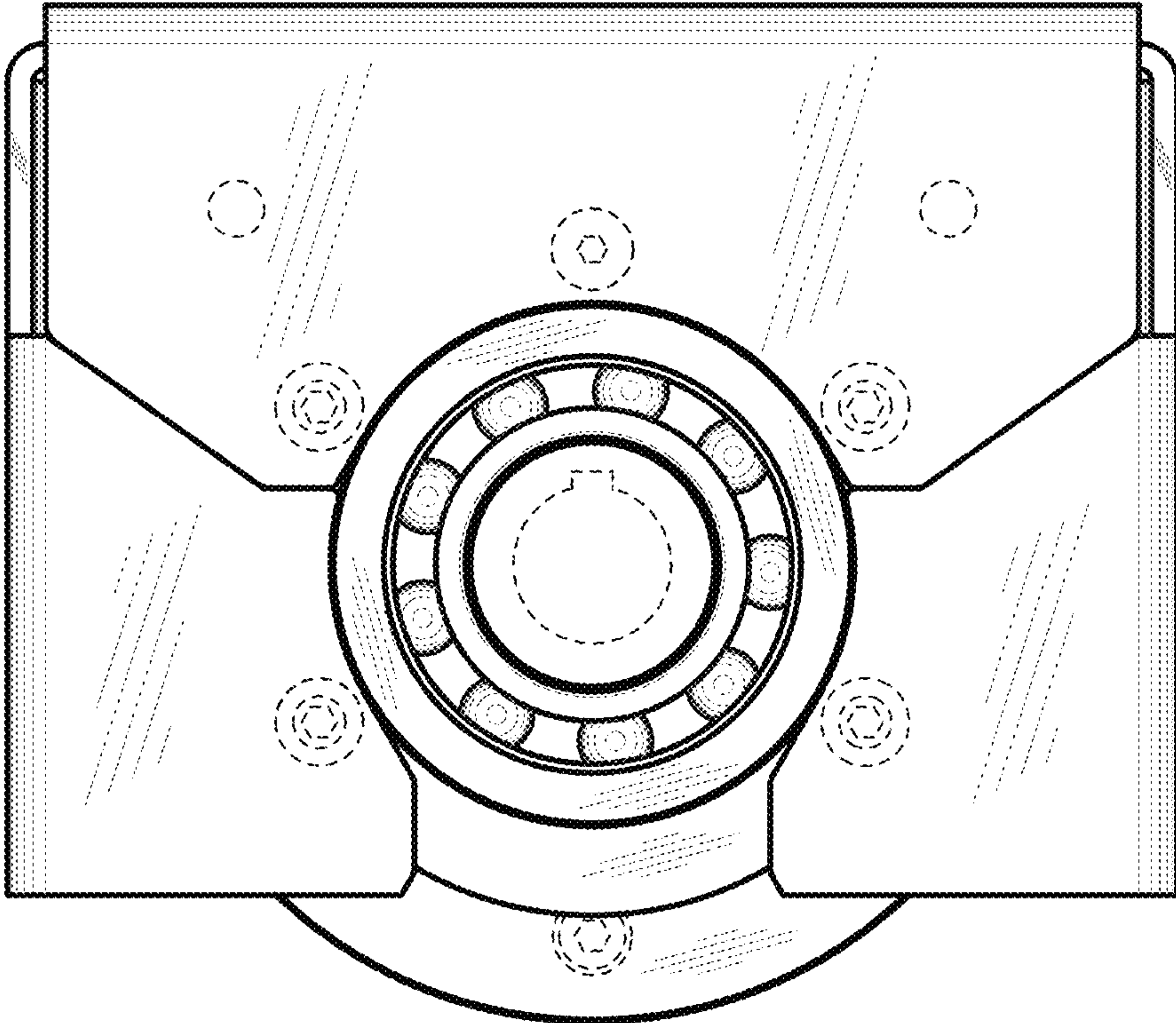


FIG. 5

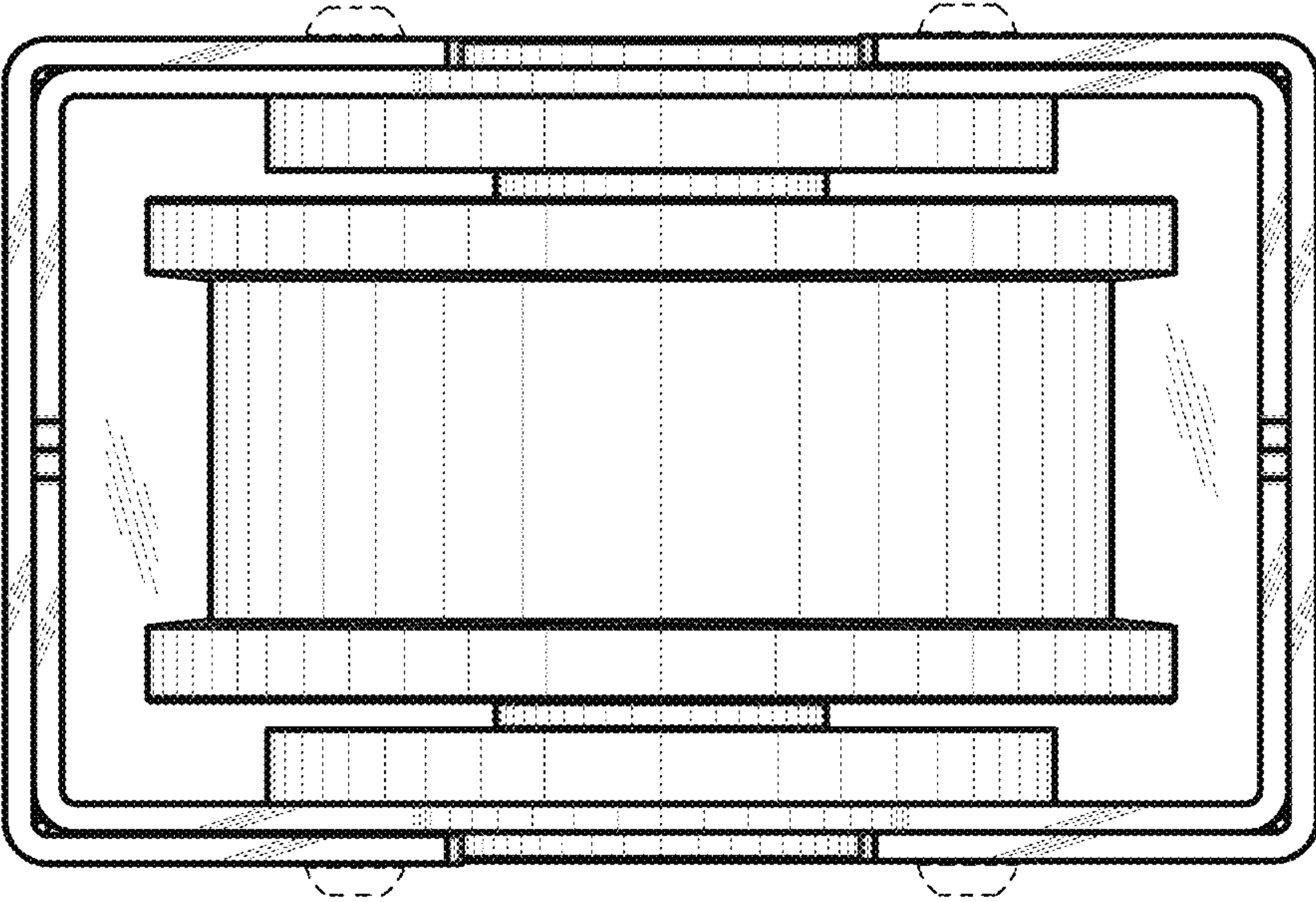


FIG. 6

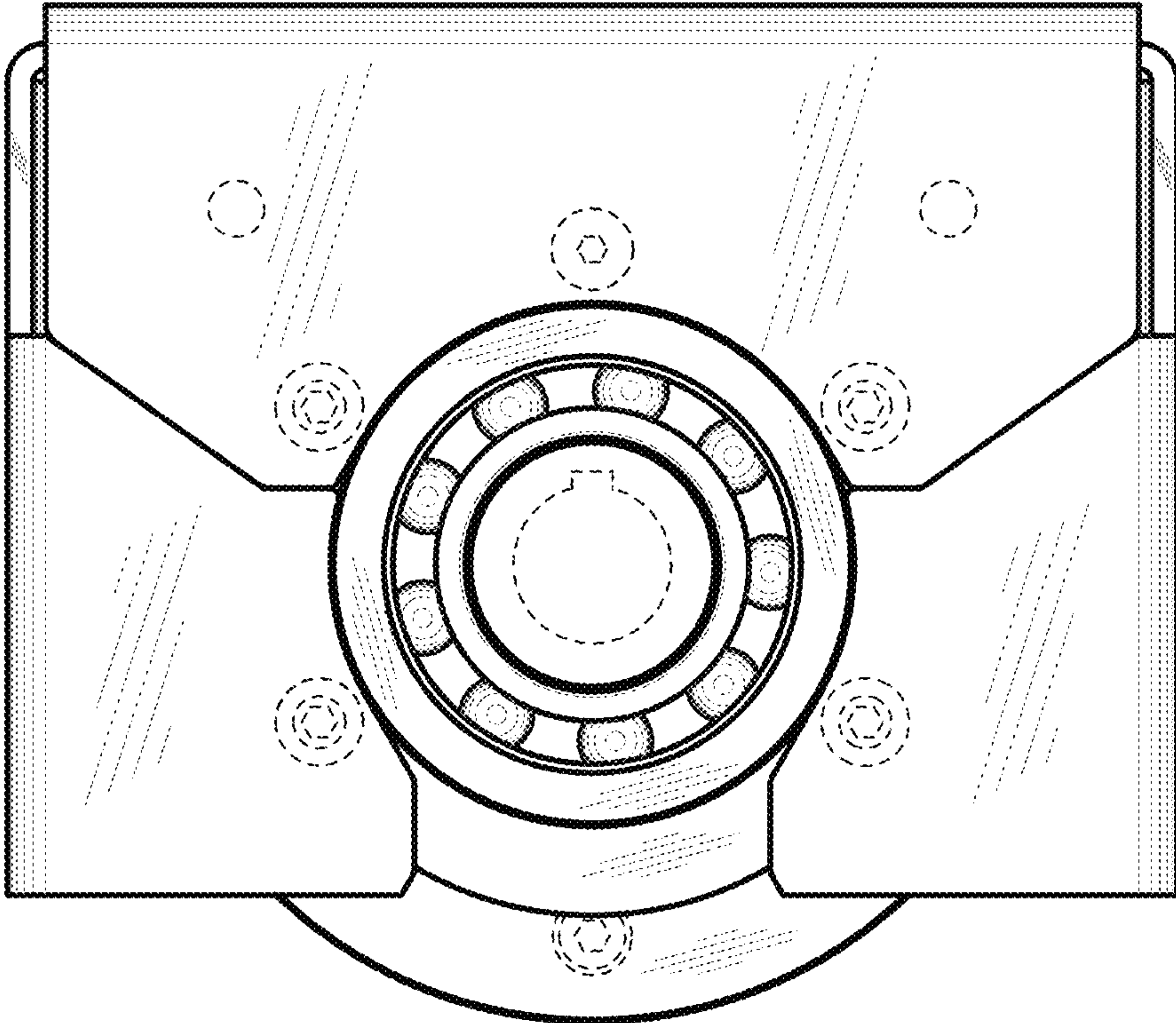


FIG. 7

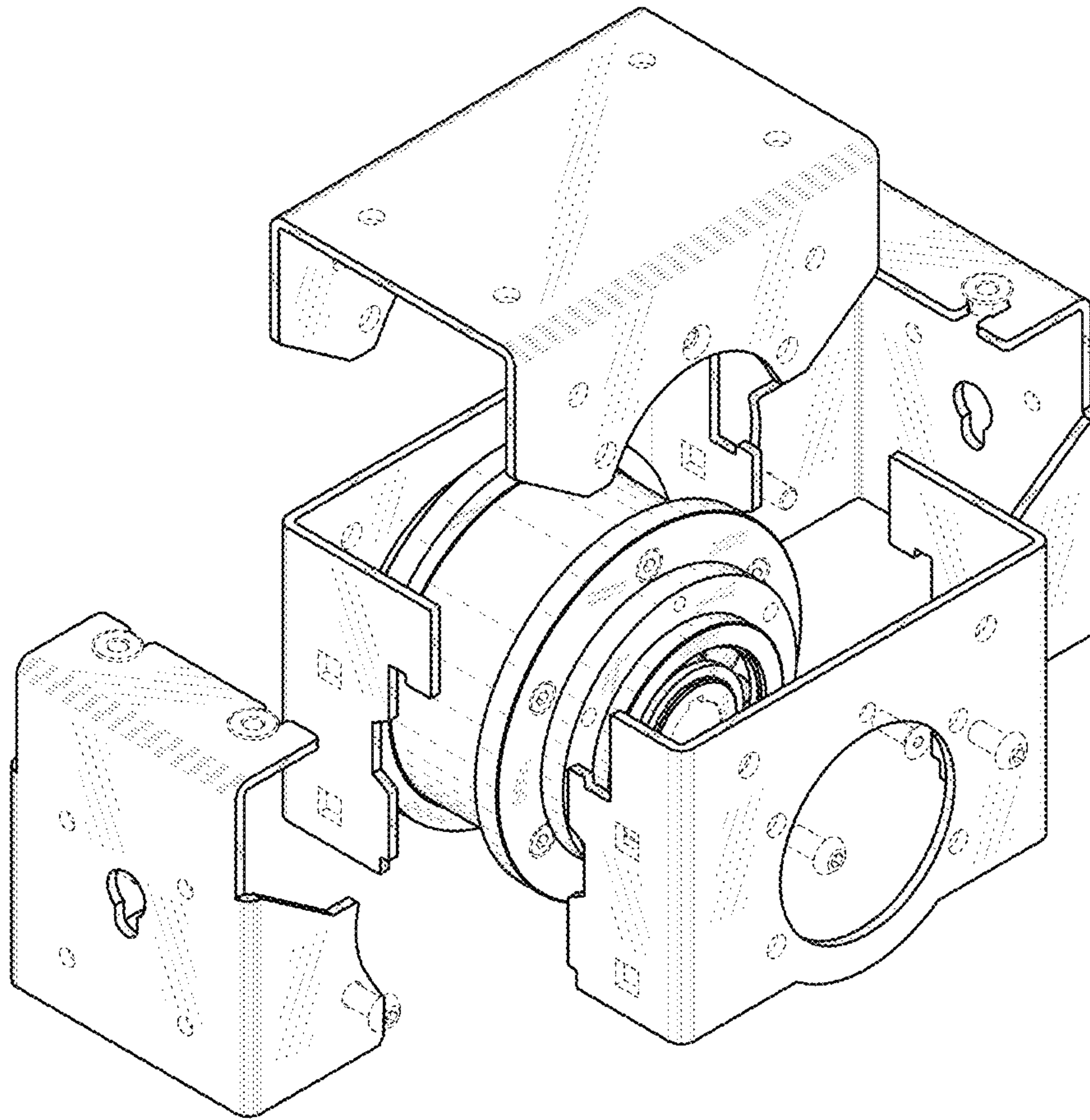


FIG. 8