



US00D875505S

(12) **United States Design Patent**  
**O’Goshi Lim**

(10) **Patent No.:** **US D875,505 S**

(45) **Date of Patent:** **\*\* Feb. 18, 2020**

- (54) **MESH CHAIR**
- (71) Applicant: **NXT IP Pty Ltd**, Perth (AU)
- (72) Inventor: **Matakii O’Goshi Lim**, East Perth (AU)
- (73) Assignee: **NXT IP Pty Ltd**, Perth (AU)
- (\*\*) Term: **15 Years**

D548,056 S *	8/2007	Erickson	.....	D8/354
7,322,158 B1 *	1/2008	Sorkin	.....	E04C 5/167
				52/649.8
D594,737 S *	6/2009	Kelly	.....	D6/349
D595,117 S *	6/2009	Sorkin	.....	D6/349
D597,402 S *	8/2009	Garza	.....	D8/354
D618,988 S *	7/2010	Peterson, Jr.	.....	D8/380
7,963,392 B2 *	6/2011	Kodi	.....	E04C 5/167
				206/340
8,312,687 B2 *	11/2012	Yee	.....	E04C 5/168
				404/136

(21) Appl. No.: **29/653,700**

(22) Filed: **Jun. 18, 2018**

(30) **Foreign Application Priority Data**

Dec. 17, 2017 (AU) ..... 201717711

(51) **LOC (12) Cl.** ..... **08-05**

(52) **U.S. Cl.**  
USPC ..... **D8/354**

(58) **Field of Classification Search**  
USPC ..... D6/334–338, 340–343, 349–353, 355,  
D6/365–365, 691–691.9, 692–692.6,  
D6/716–716.1; D25/65, 199; D8/354  
CPC ..... A47B 7/00–02; A47C 11/00; A47C 12/00;  
A47C 13/00; A47C 16/00; A47C  
16/02–04; A47C 9/00–105; A47K 17/02;  
A47K 17/028

See application file for complete search history.

(56) **References Cited**

**U.S. PATENT DOCUMENTS**

1,672,176 A *	6/1928	Schumacher	.....	E04C 5/18
				52/687
3,471,987 A *	10/1969	Yelsma	.....	E04C 5/20
				52/684
D444,244 S *	6/2001	McPherson	.....	D25/199
D445,668 S *	7/2001	Hills, Sr.	.....	D25/199
D483,246 S *	12/2003	McPherson	.....	D8/354
D500,665 S *	1/2005	Sorkin	.....	D8/354

**OTHER PUBLICATIONS**

H Rebar Chair. [online] Published on Sep. 17, 2016. Retrieved Jul. 1, 2019 from URL: <https://static1.squarespace.com/static/5552aa62e4b0b6e5f4aef775/t/5cda0cca0d9297ad83b43f3d/1557793996265/HChair.pdf>.\*

Stackable Rebar Chairs. [online] Published Jun. 27, 2017. Retrieved Jul. 1, 2019 from URL: [http://rebarchair.com/index.php?main\\_page=index&cPath=21](http://rebarchair.com/index.php?main_page=index&cPath=21).\*

\* cited by examiner

*Primary Examiner* — Vy N Koenig

(74) *Attorney, Agent, or Firm* — Bill R. Naifeh

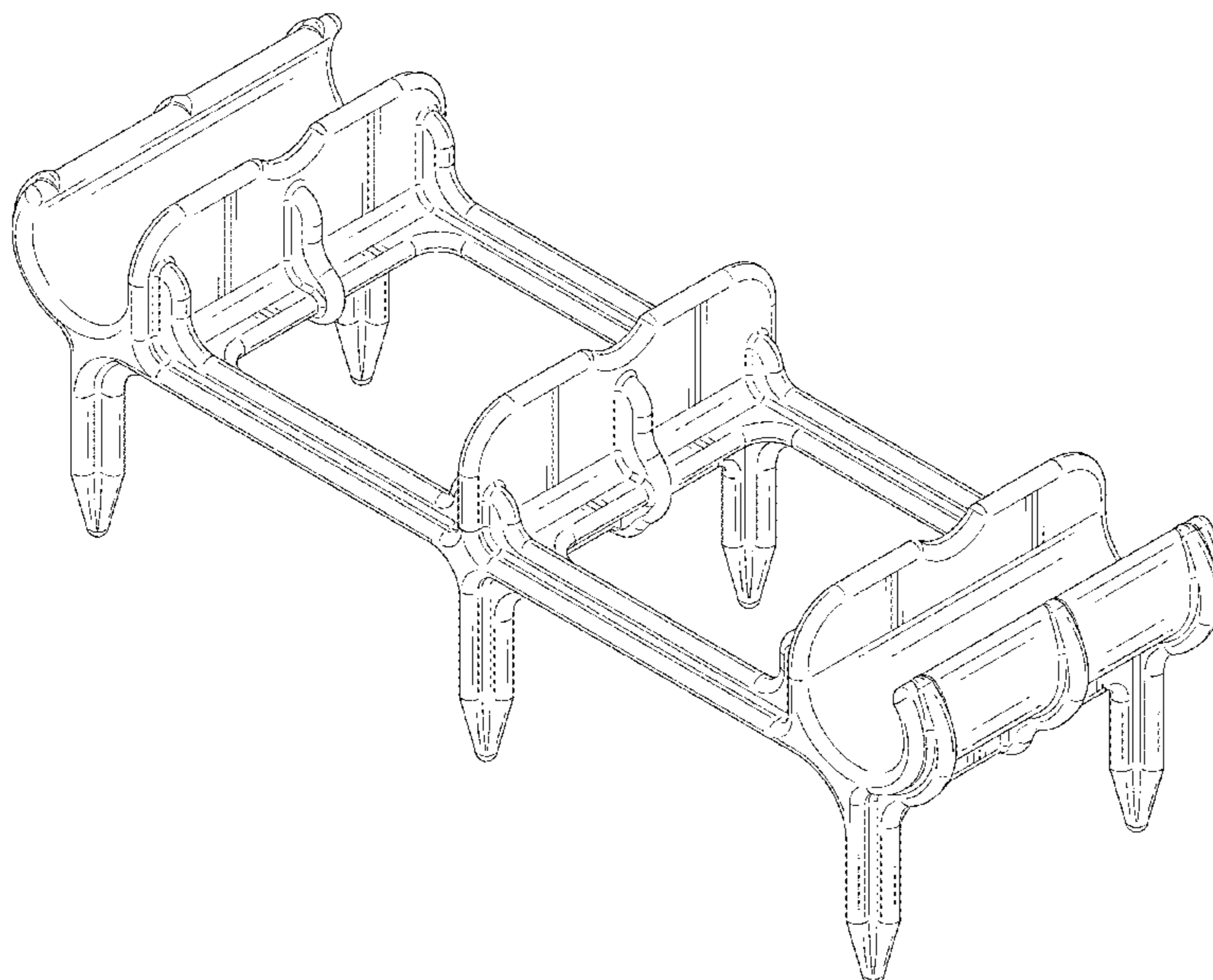
(57) **CLAIM**

I claim the ornamental design for a mesh chair, as shown and described.

**DESCRIPTION**

FIG. 1 is a front perspective view of a mesh chair;  
FIG. 2 is a front view thereof;  
FIG. 3 is a back view thereof;  
FIG. 4 is a left side view thereof;  
FIG. 5 is a right side view thereof;  
FIG. 6 is a top view thereof; and,  
FIG. 7 is a bottom view thereof.

**1 Claim, 6 Drawing Sheets**



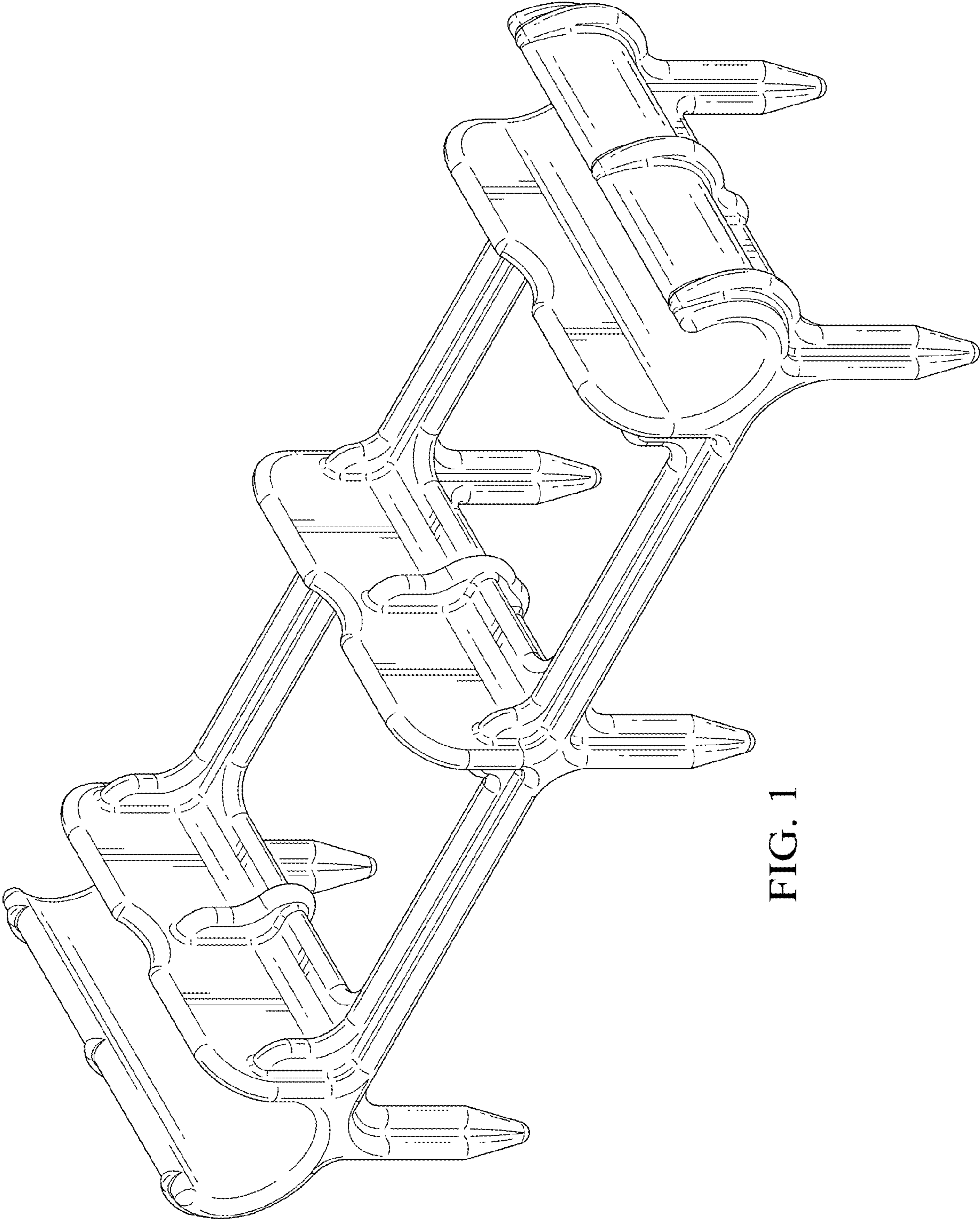


FIG. 1

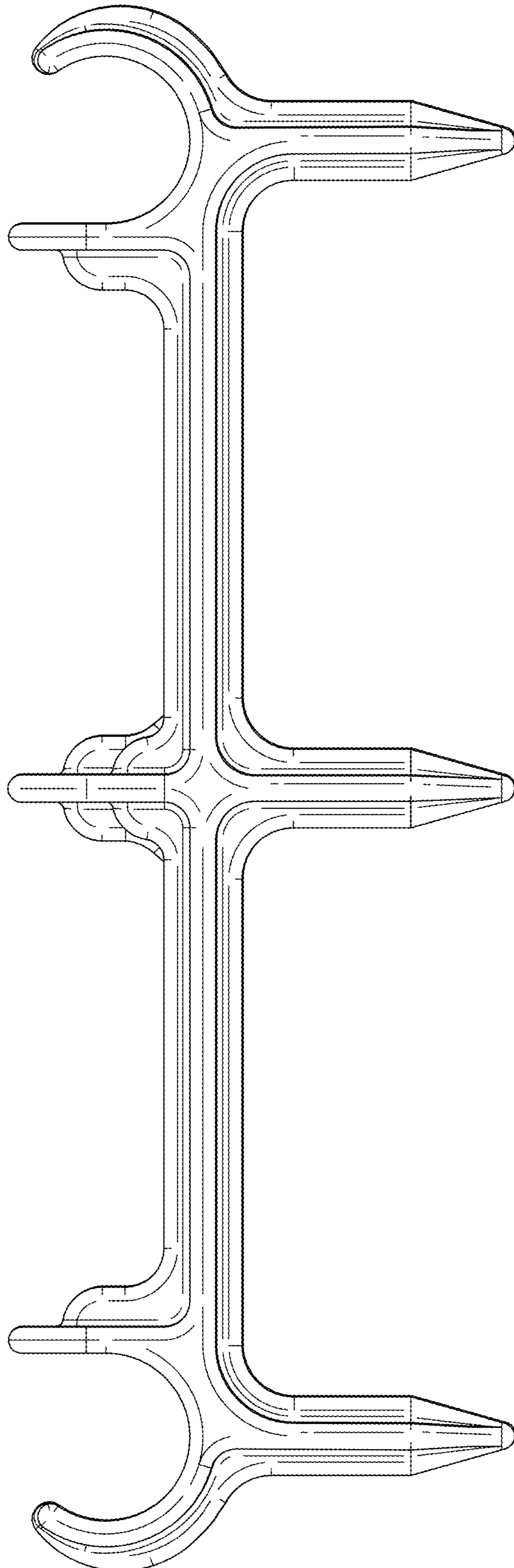


FIG. 2



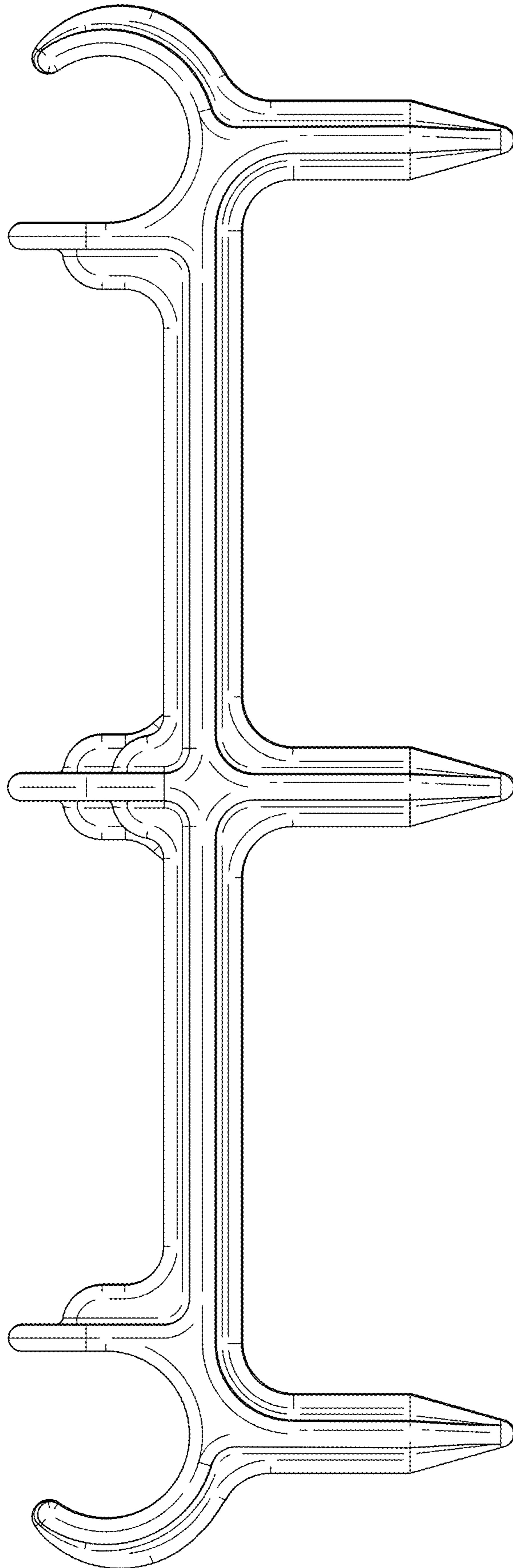


FIG. 3

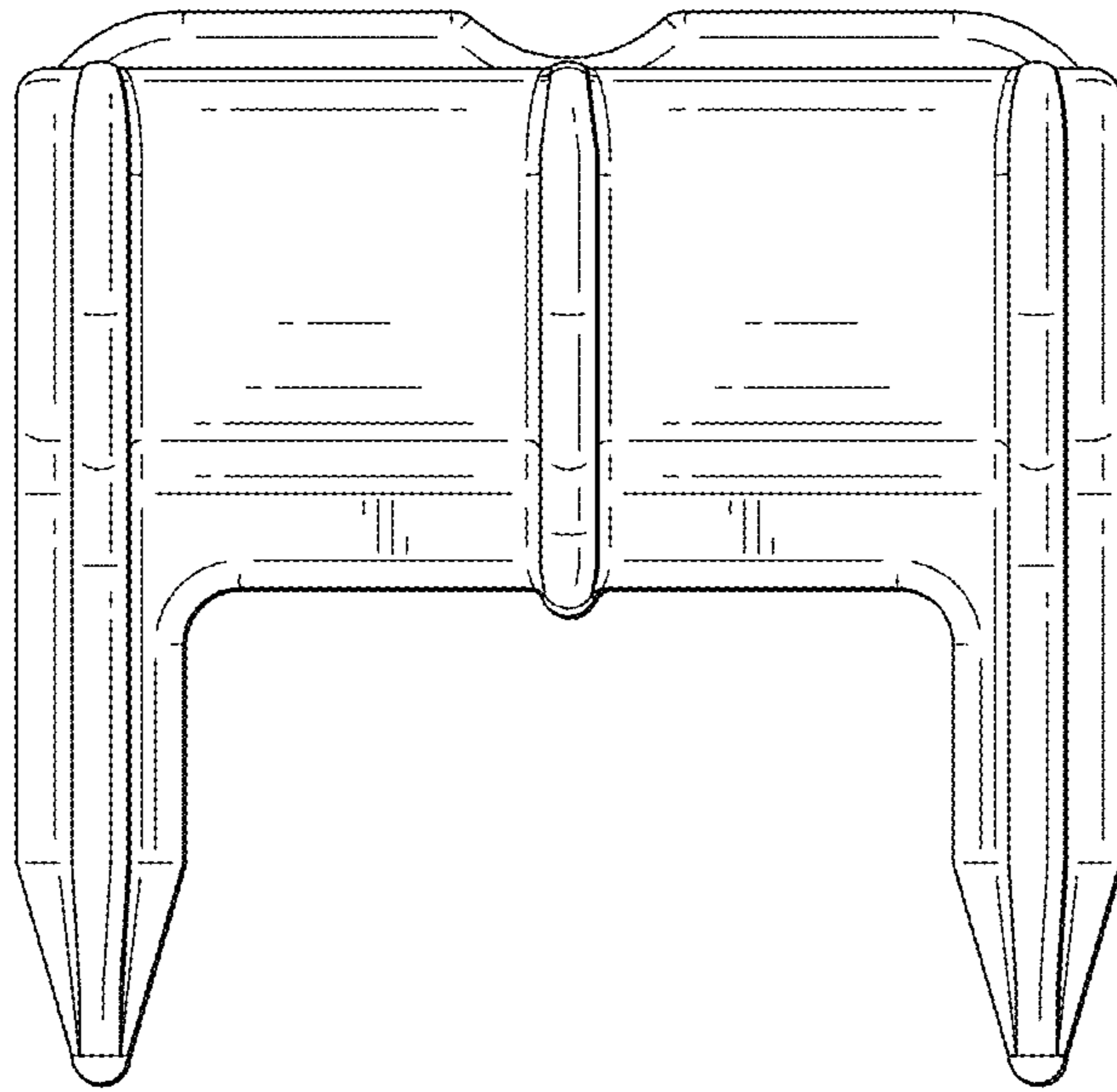


FIG. 4

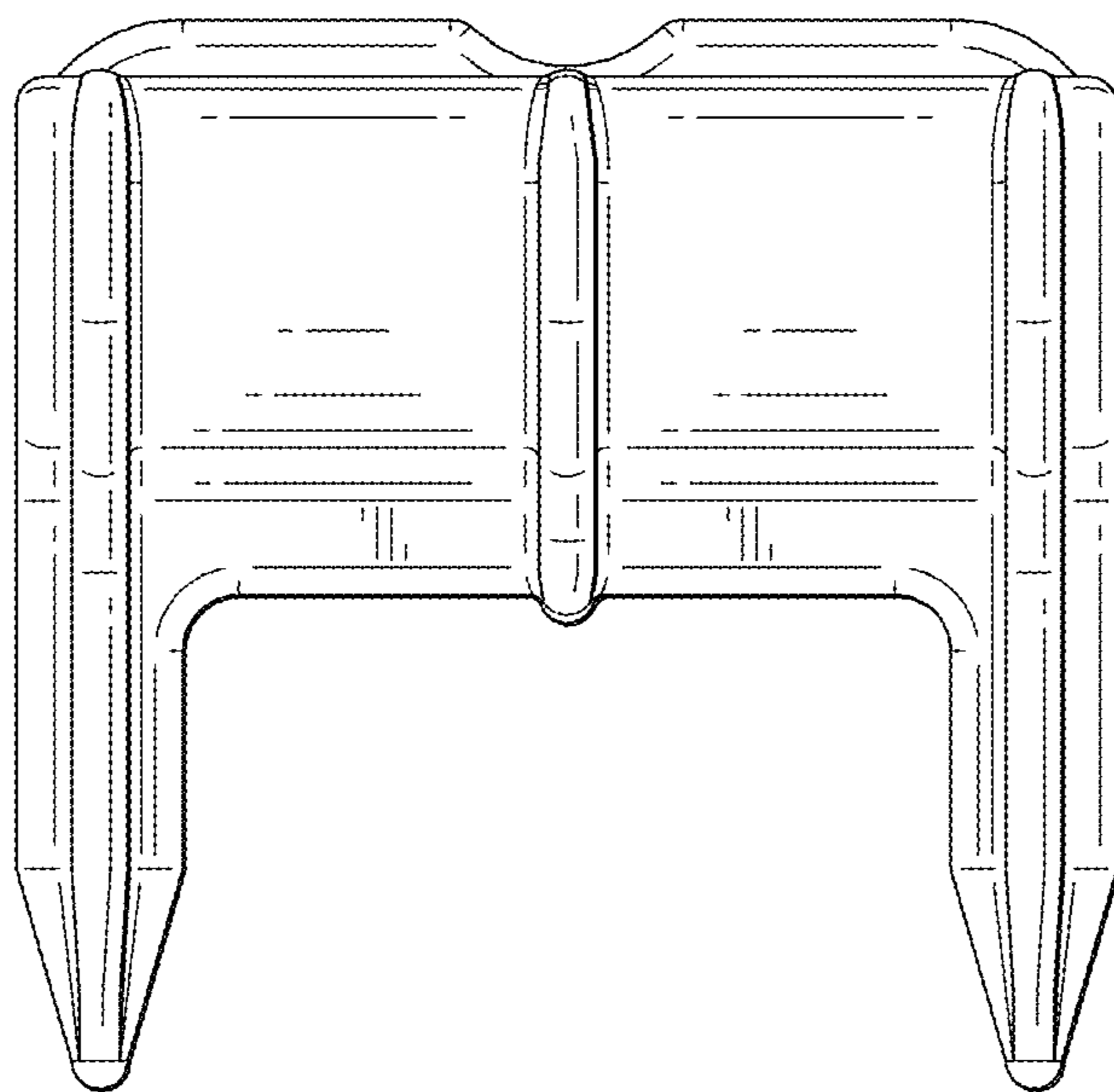


FIG. 5

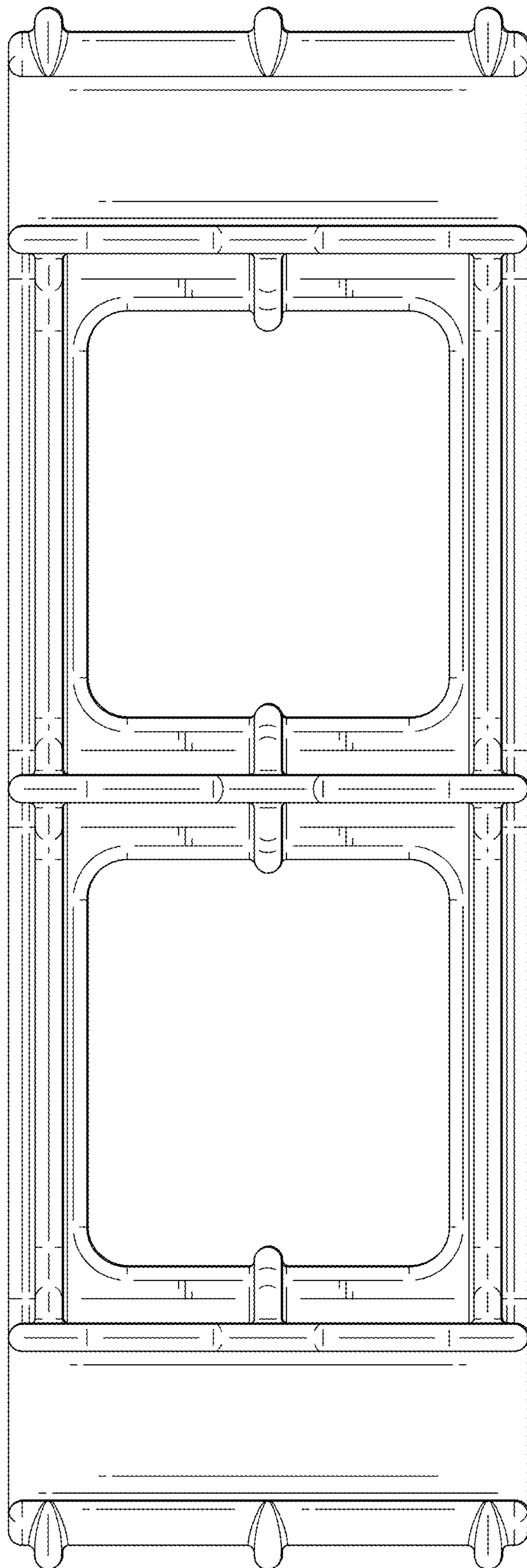


FIG. 6

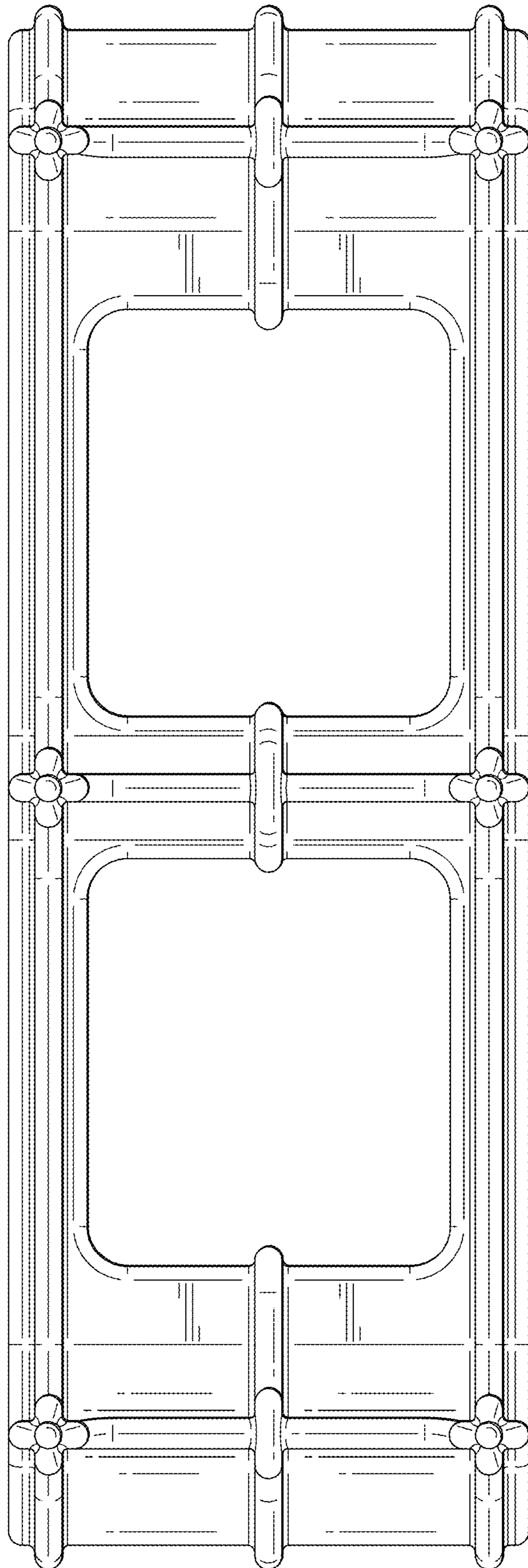


FIG. 7