



US00D875504S

(12) **United States Design Patent**
Schlüter

(10) **Patent No.:** **US D875,504 S**

(45) **Date of Patent:** **** Feb. 18, 2020**

(54) **TILE SPACER**

(71) Applicant: **Werner Schlüter**, Iserlohn (DE)

(72) Inventor: **Werner Schlüter**, Iserlohn (DE)

(73) Assignee: **Schluter Systems L.P.**, Plattsburgh, NY (US)

(**) Term: **15 Years**

(21) Appl. No.: **29/641,120**

(22) Filed: **Mar. 20, 2018**

(30) **Foreign Application Priority Data**

Oct. 5, 2017 (EM) 004386787

(51) **LOC (12) Cl.** **08-05**

(52) **U.S. Cl.**
USPC **D8/354**

(58) **Field of Classification Search**

USPC D8/354, 376, 16, 17, 19, 37, 47, 71, 89,
D8/363, 373, 377, 390, 391, 404;
D10/61, 64; D21/484, 507, 345, 386
CPC A47G 33/004; A47H 1/00; A47H 13/00;
A47H 15/00; B44C 1/18; B44C 5/02;
B44C 5/04; B44C 5/0415; E01B 11/00
See application file for complete search history.

(56) **References Cited**

U.S. PATENT DOCUMENTS

2,930,135 A * 3/1960 Rodtz, Sr. E04F 21/0092
33/518
D542,161 S * 5/2007 Skillings D10/64
D678,039 S * 3/2013 Psaila D8/354

D721,980 S * 2/2015 Cupertino D10/70
9,683,826 B2 * 6/2017 Cupertino E04F 21/0007
D833,260 S * 11/2018 Dumlao D8/354
2006/0144011 A1 * 7/2006 Symington E04F 21/0092
52/782.1

* cited by examiner

Primary Examiner — Keli L Hill

Assistant Examiner — Harold E Blackwell, II

(74) *Attorney, Agent, or Firm* — Thorpe North & Western, LLP

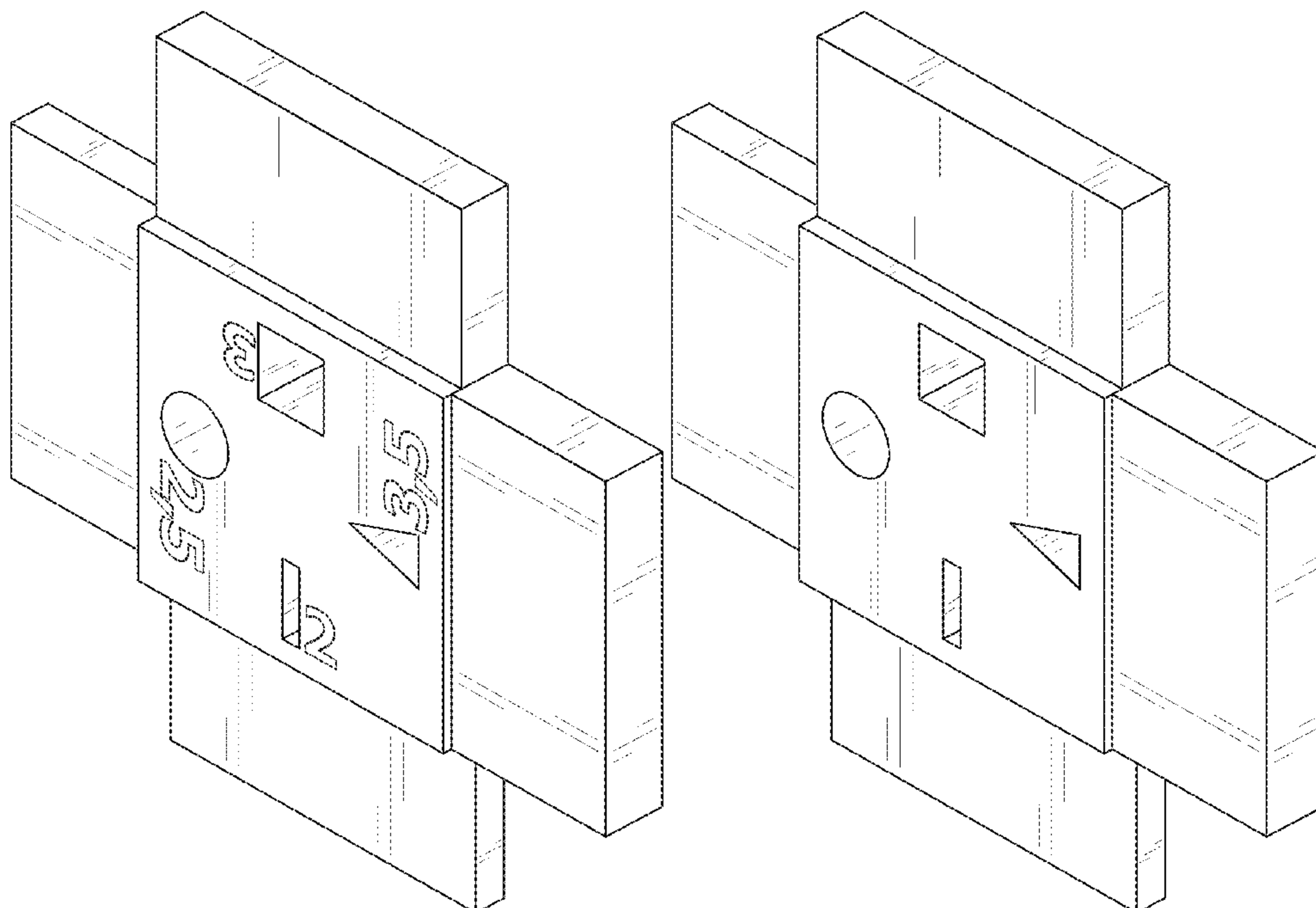
(57) **CLAIM**

The ornamental design for the tile spacer, as shown and described herein.

DESCRIPTION

FIG. 1 is a perspective view of my tile spacer in accordance with my invention;
FIG. 2 is a top view thereof;
FIG. 3 is a side view thereof;
FIG. 4 is a side view opposing that of FIG. 3;
FIG. 5 is another side view thereof;
FIG. 6 is a side view opposing that of FIG. 5;
FIG. 7 is a perspective view of my tile spacer in accordance with another embodiment thereof;
FIG. 8 is a top view thereof;
FIG. 9 is a side view thereof;
FIG. 10 is a side view opposing that of FIG. 9;
FIG. 11 is another side view thereof; and,
FIG. 12 is a side view opposing that of FIG. 11.
The broken line portions of the figure drawings are included to show portions of the article that form no part of the claimed design.

1 Claim, 8 Drawing Sheets



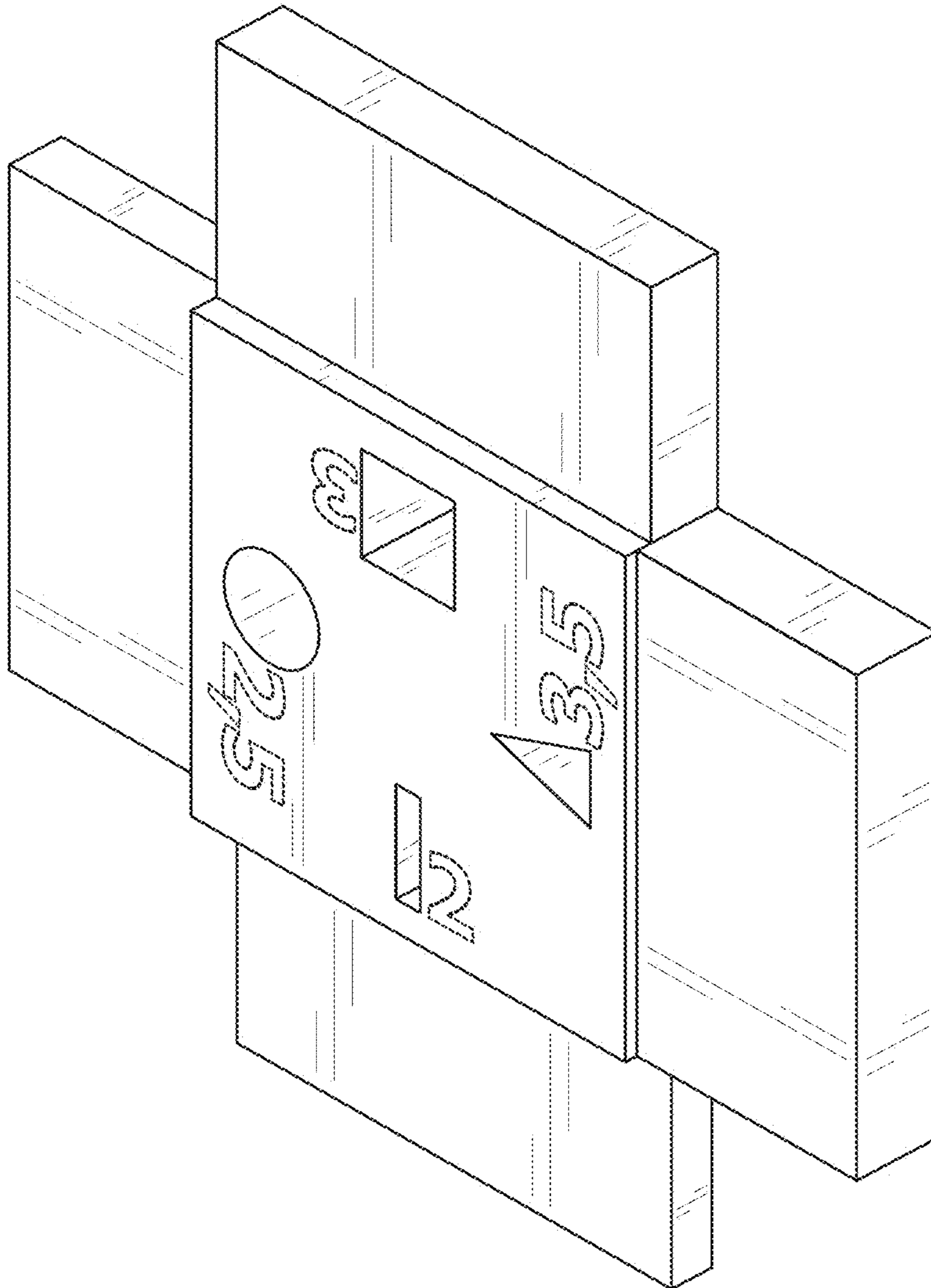


FIG. 1

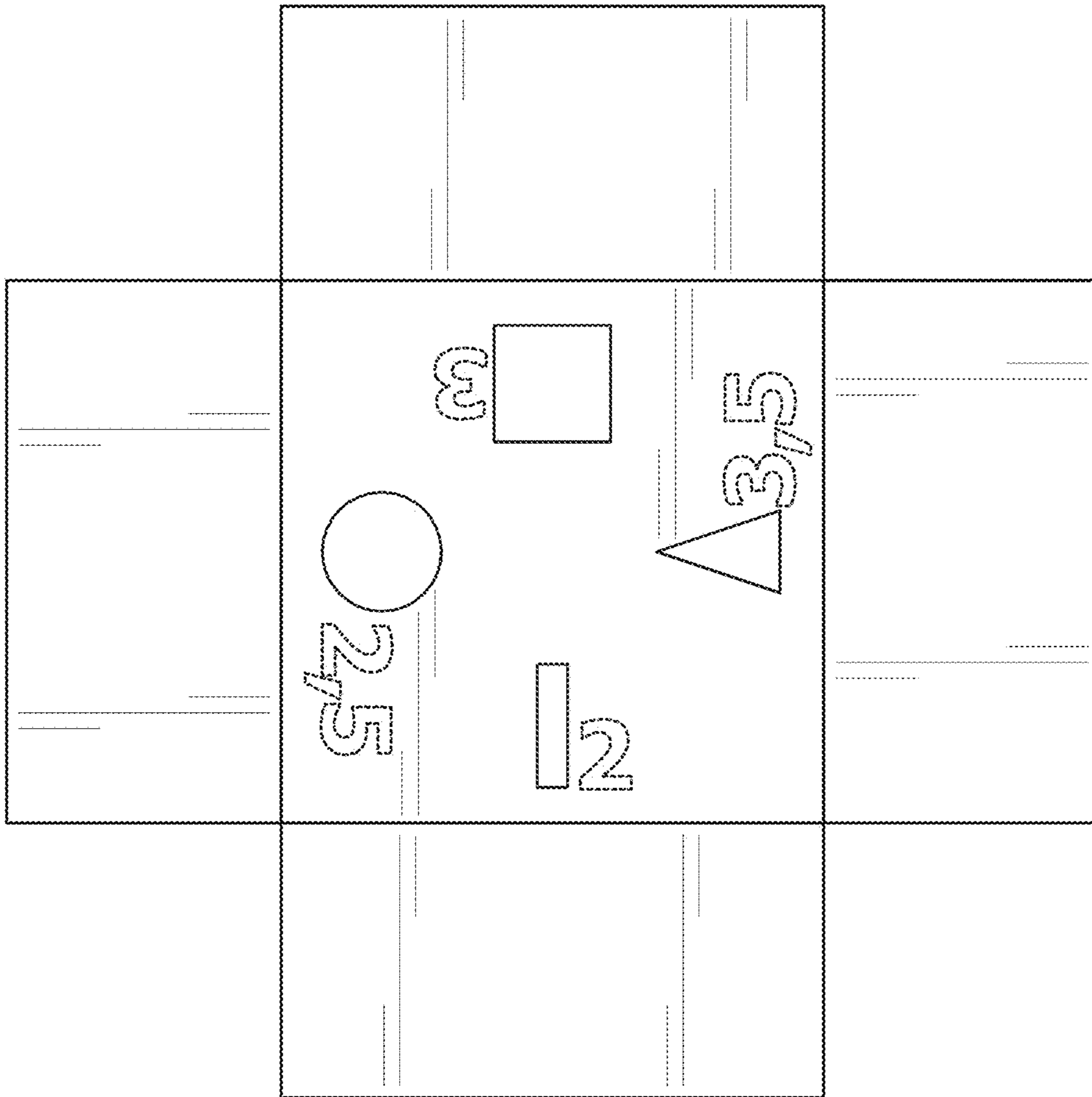


FIG. 2

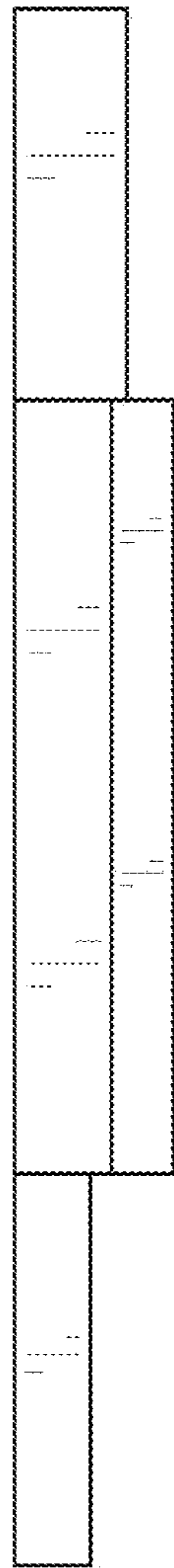


FIG. 3

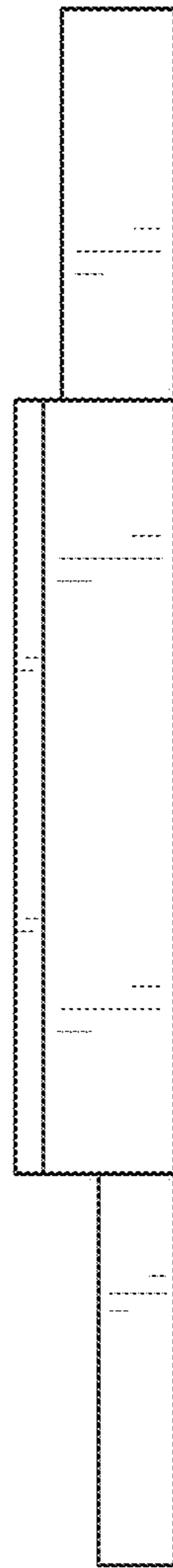


FIG. 4

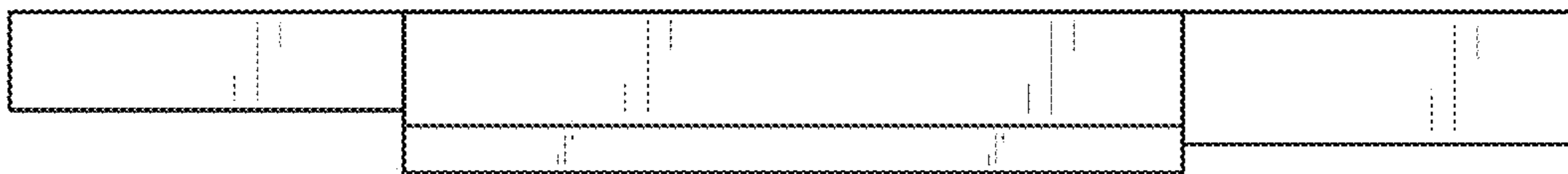


FIG. 5

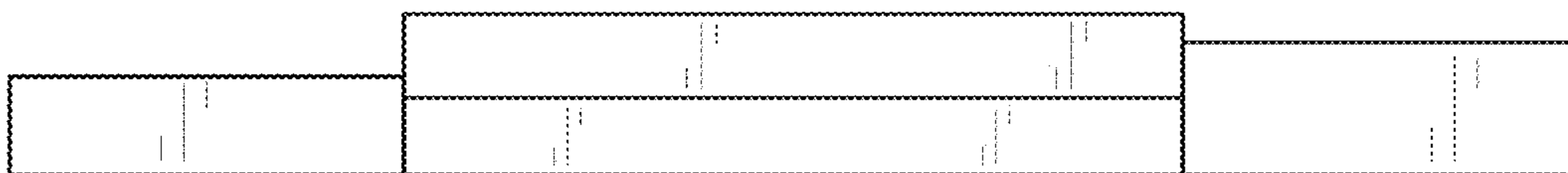


FIG. 6

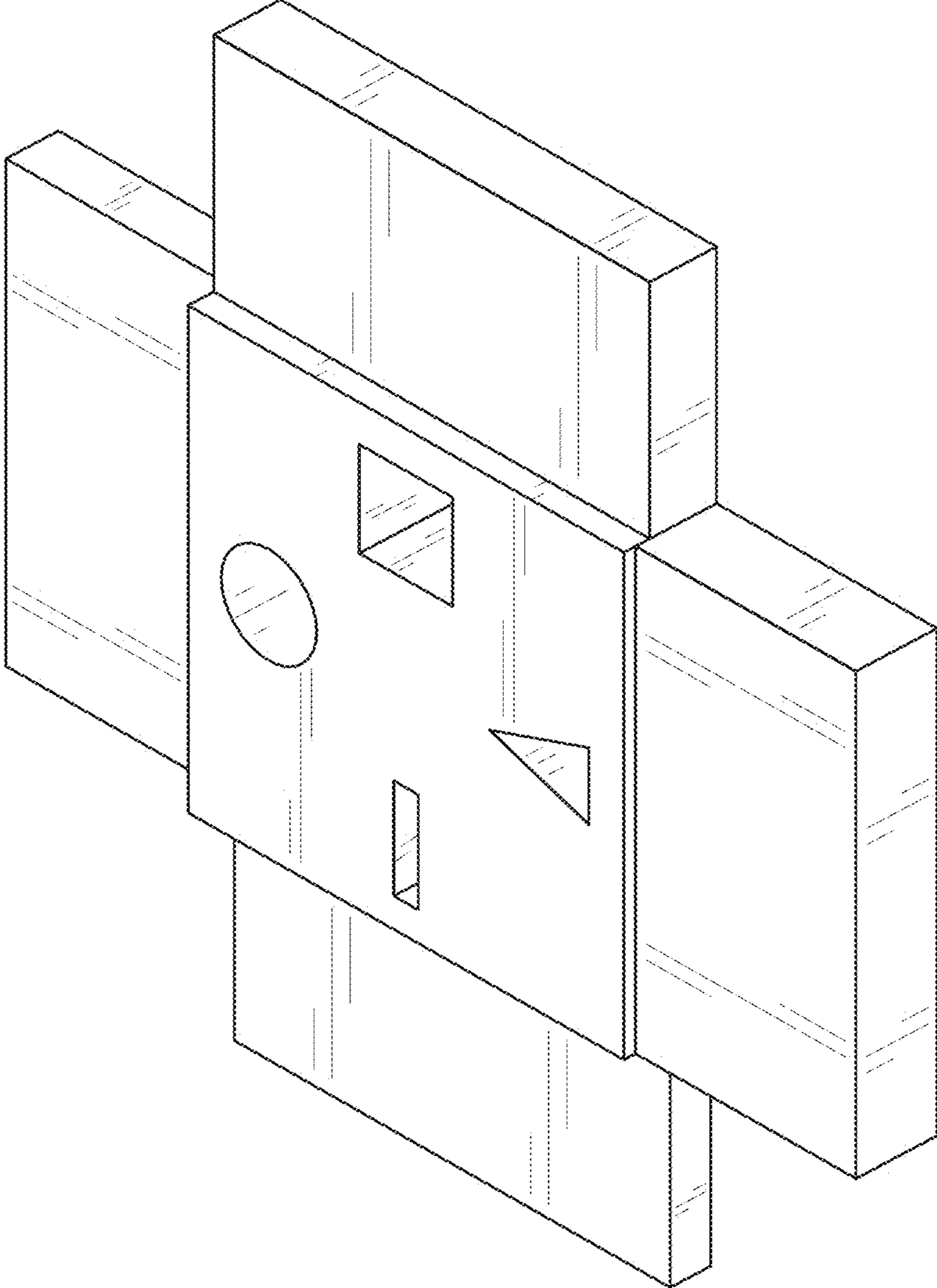


FIG. 7

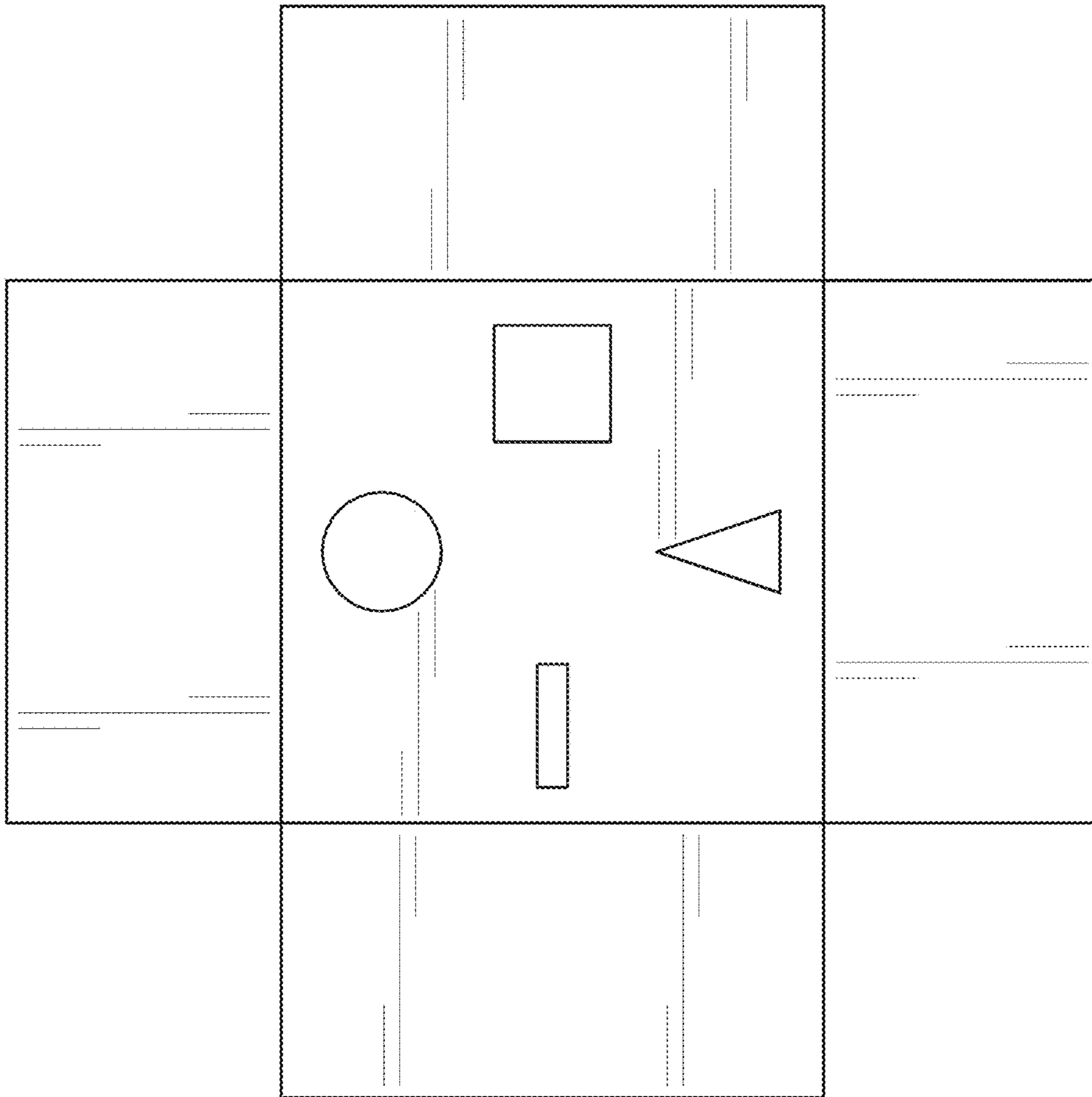


FIG. 8

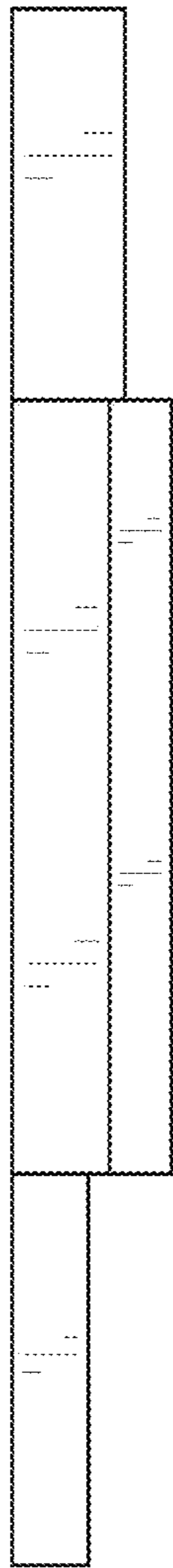


FIG. 9

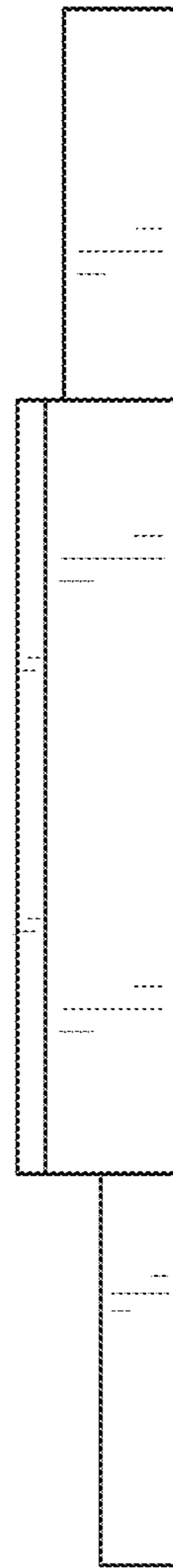


FIG. 10



FIG. 11

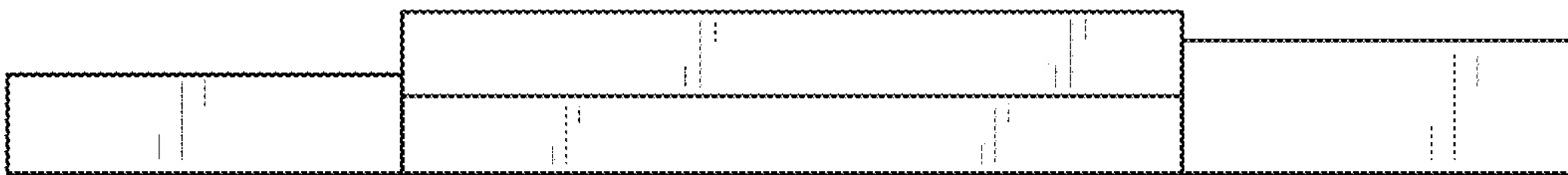


FIG. 12