



US00D875502S

(12) **United States Design Patent**
Dedrick

(10) **Patent No.:** **US D875,502 S**

(45) **Date of Patent:** **** Feb. 18, 2020**

(54) **SANDING BLOCK**

(71) Applicant: **Ted Randall Dedrick**, Encinitas, CA
(US)

(72) Inventor: **Ted Randall Dedrick**, Encinitas, CA
(US)

(**) Term: **15 Years**

(21) Appl. No.: **29/651,427**

(22) Filed: **Aug. 15, 2018**

(51) **LOC (12) Cl.** **08-05**

(52) **U.S. Cl.**
USPC **D8/90**

(58) **Field of Classification Search**
USPC D8/90, 14; D32/40
CPC B24D 15/00; B24D 15/02; B24D 15/023;
B24D 15/04

See application file for complete search history.

(56) **References Cited**

U.S. PATENT DOCUMENTS

838,465	A *	11/1906	Seaborn	B24D 15/023
2,527,089	A *	10/1950	Adams	B24D 15/023 451/515
2,560,008	A *	7/1951	Steward	A47L 13/29 15/145
3,073,084	A *	1/1963	Howard	B24D 15/02 451/515
5,168,672	A *	12/1992	Gregoire, Sr.	B24D 15/023 451/502

D386,058	S *	11/1997	Schmidt	D8/90
6,296,558	B1 *	10/2001	Poole	B24D 15/023 451/515
D712,729	S *	9/2014	Cushing	D8/395
8,870,629	B2 *	10/2014	Comstock	B24D 15/023 451/524
D740,110	S *	10/2015	Luoma	D8/394
9,352,449	B1 *	5/2016	Winter	B24D 15/023
2002/0090902	A1 *	7/2002	Draper	B24D 15/023 451/552

* cited by examiner

Primary Examiner — Philip S Hyder

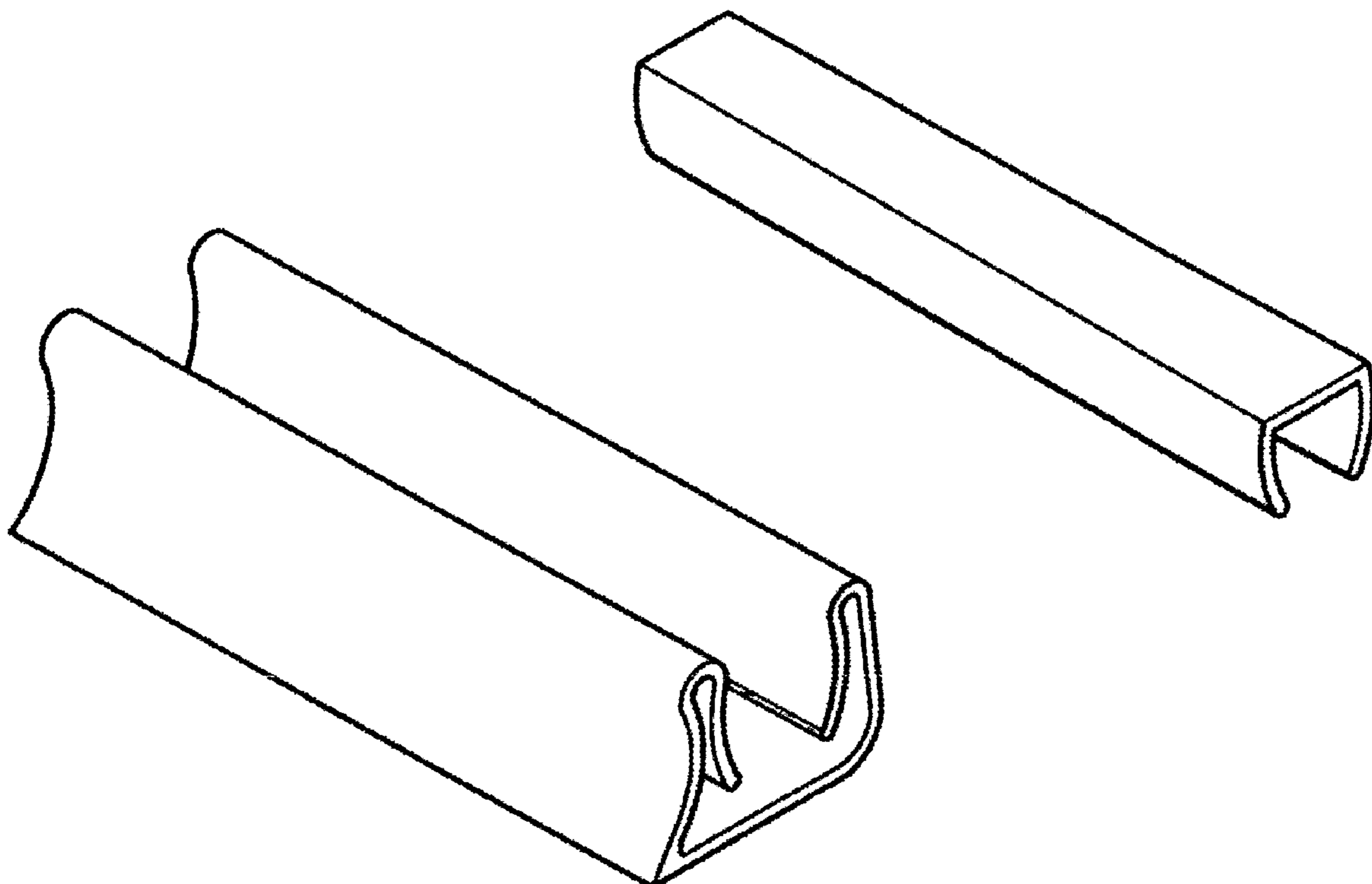
(57) **CLAIM**

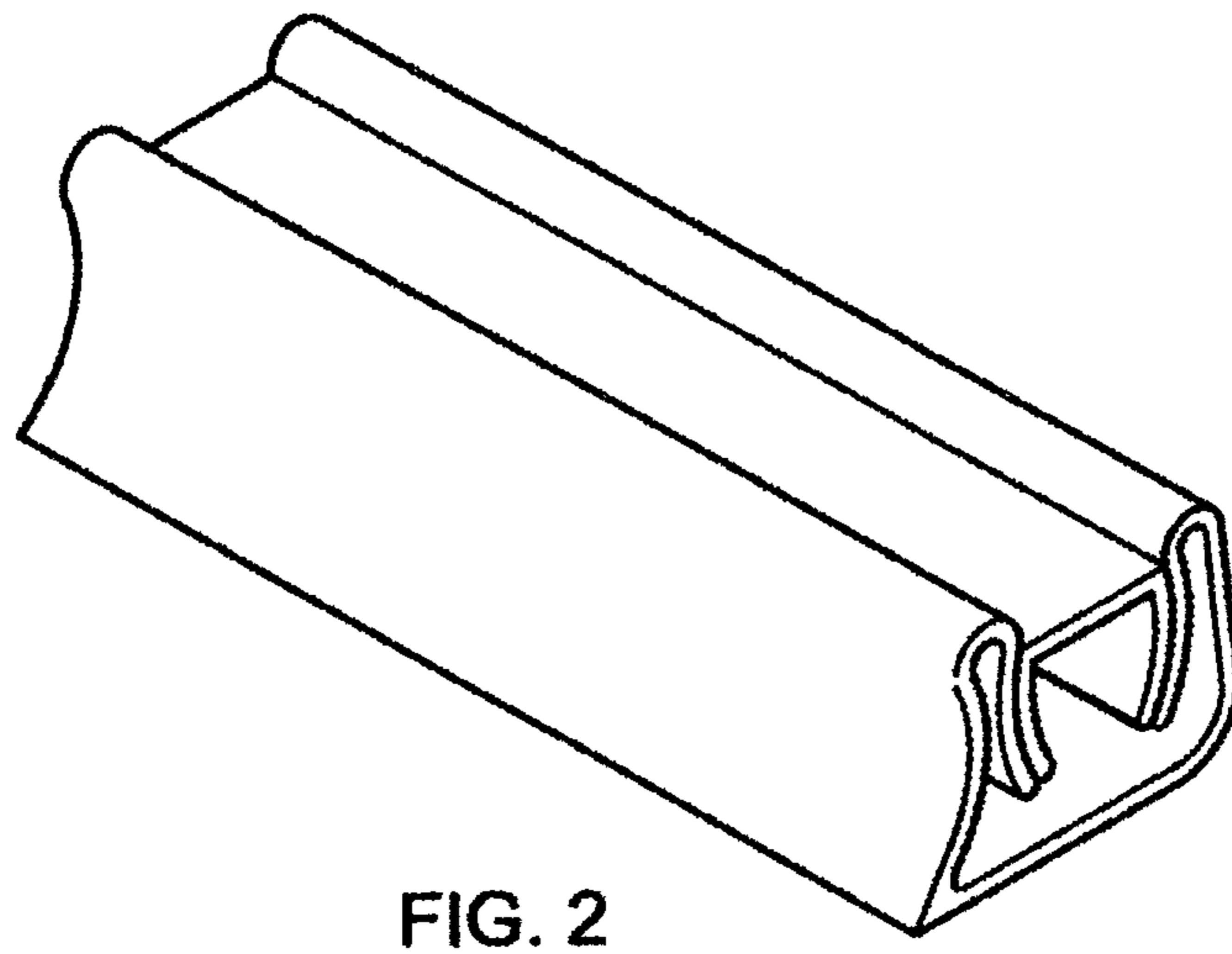
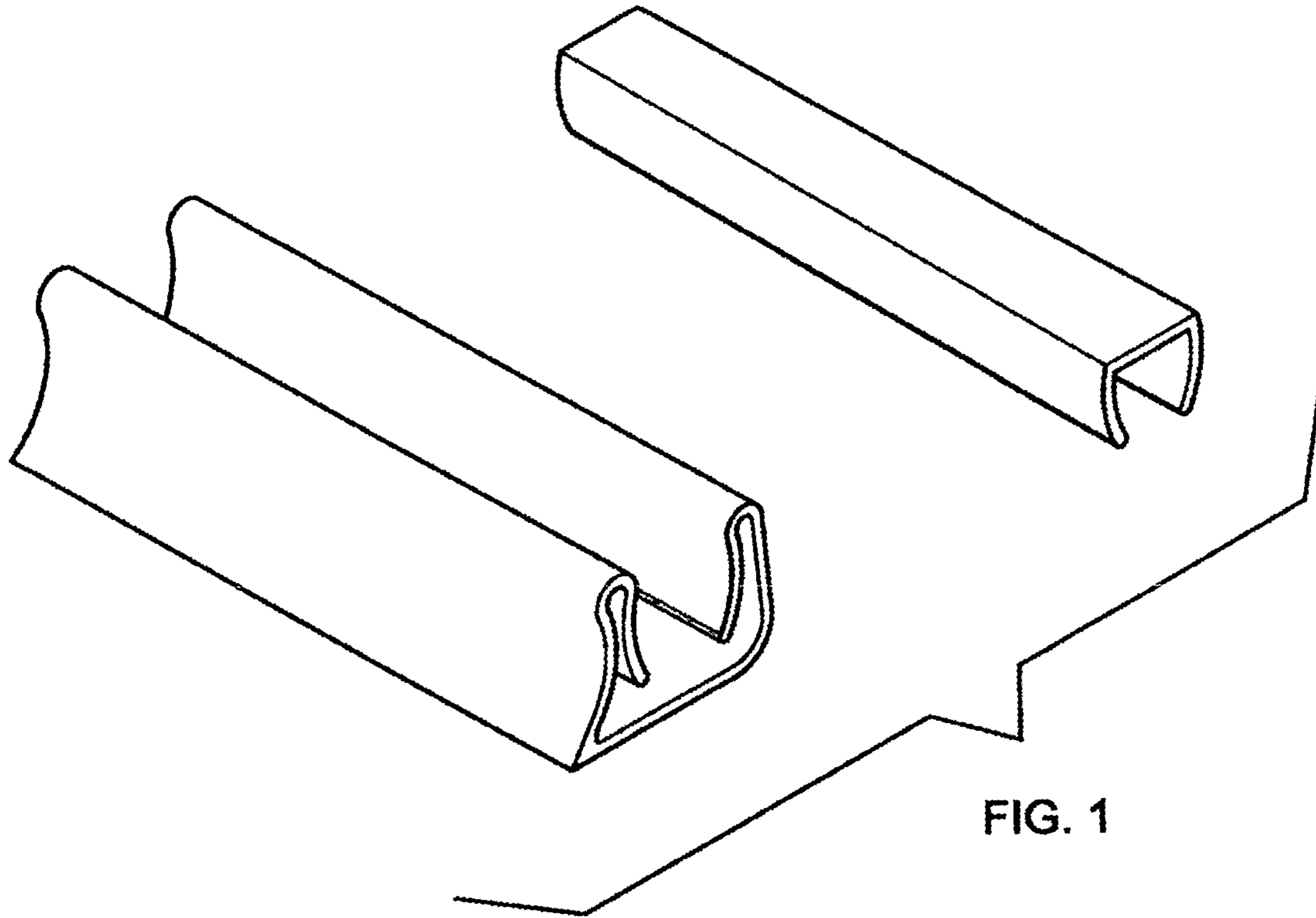
The ornamental design for a sanding block, as shown and described.

DESCRIPTION

FIG. 1 is a perspective view of the sanding block showing my new design, wherein the two parts are shown in a disassembled state;
 FIG. 2 is a perspective view thereof, wherein the parts are shown in their assembled state;
 FIG. 3 is a top plan view thereof;
 FIG. 4 is a front end elevational view thereof, wherein the rear end elevational view is a mirror image of FIG. 4;
 FIG. 5 is a left side elevational view thereof;
 FIG. 6 is a bottom plan view thereof; and,
 FIG. 7 is a right side elevational view thereof.

1 Claim, 2 Drawing Sheets





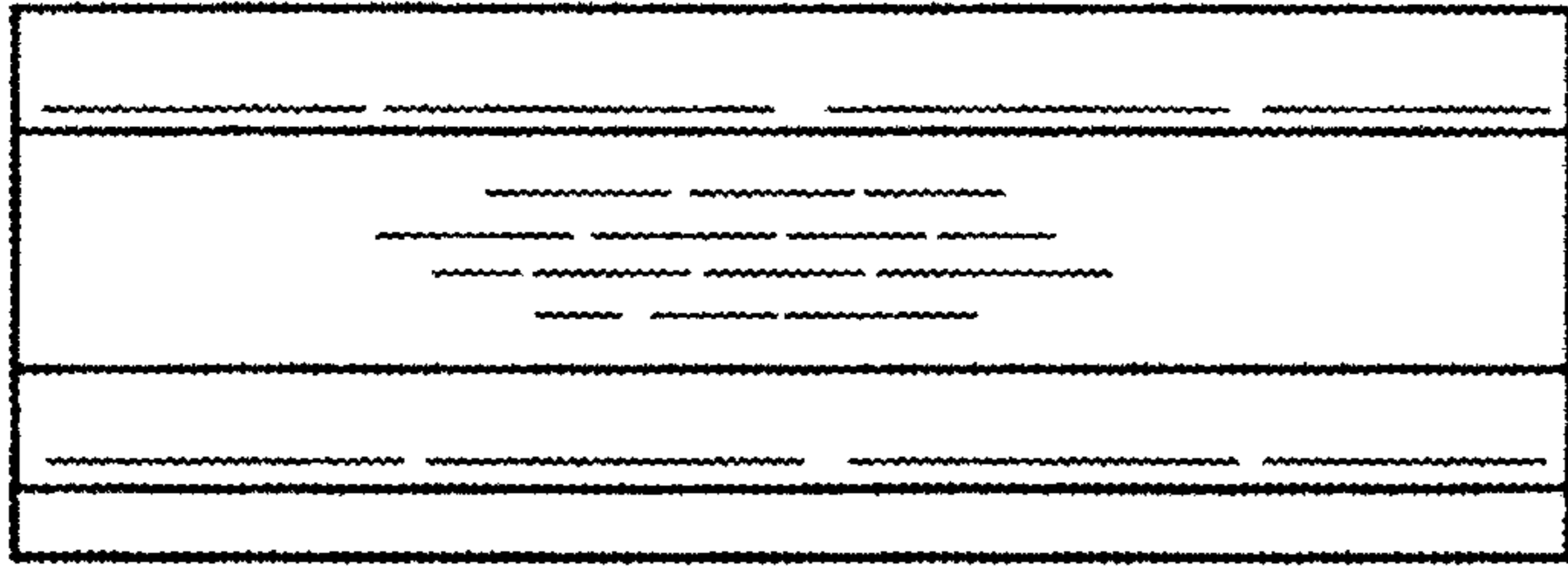


FIG. 3

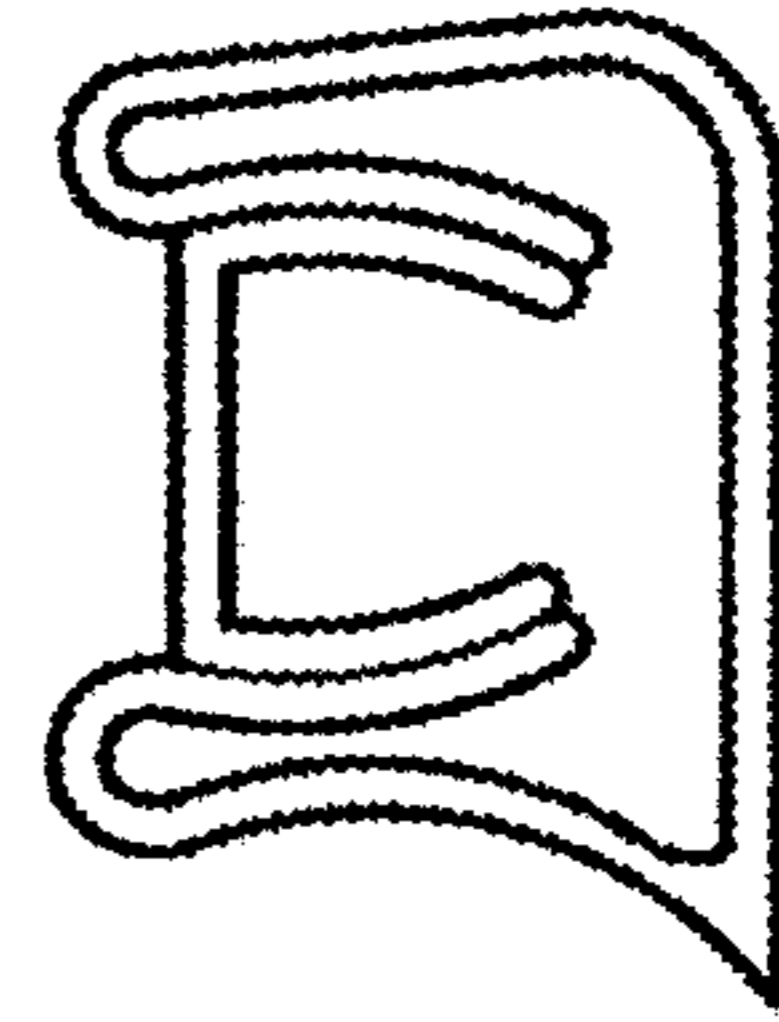


FIG. 4

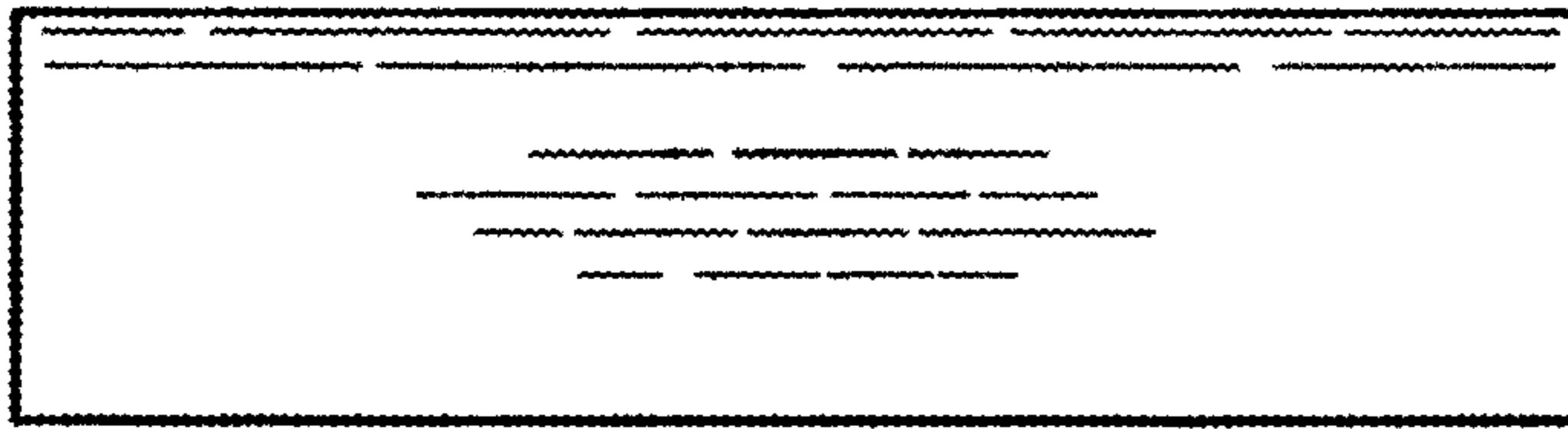


FIG. 5

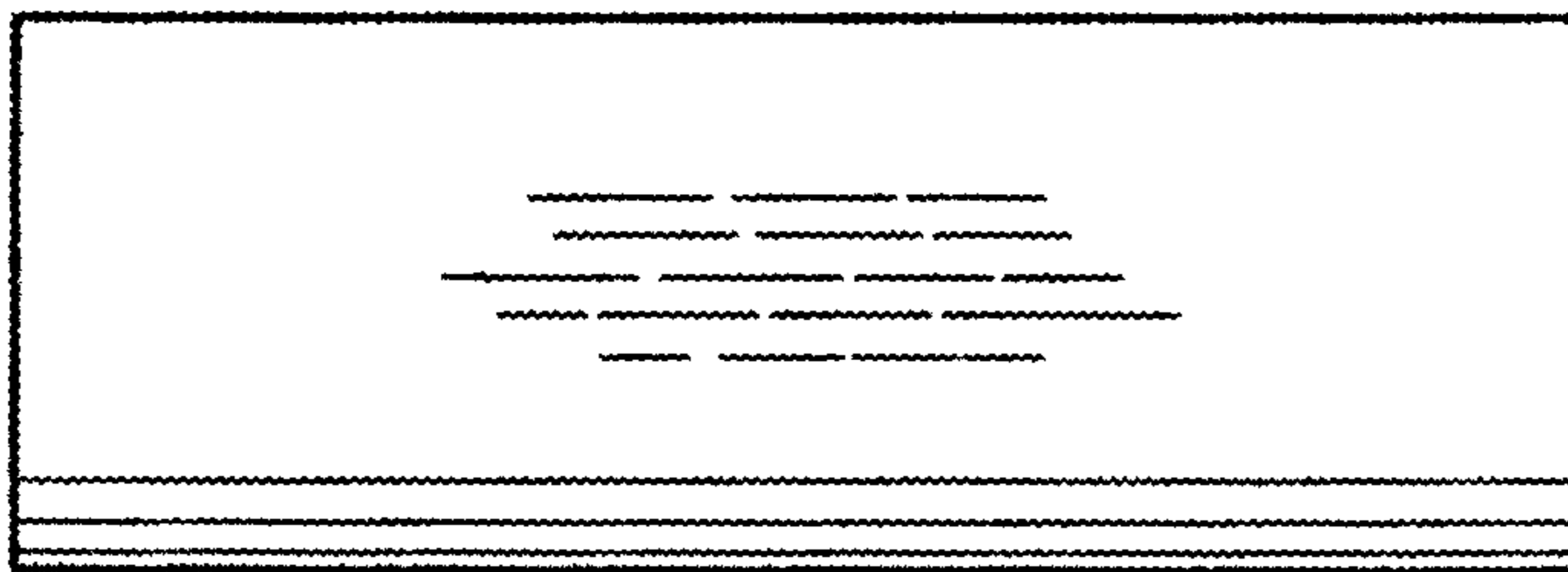


FIG. 6

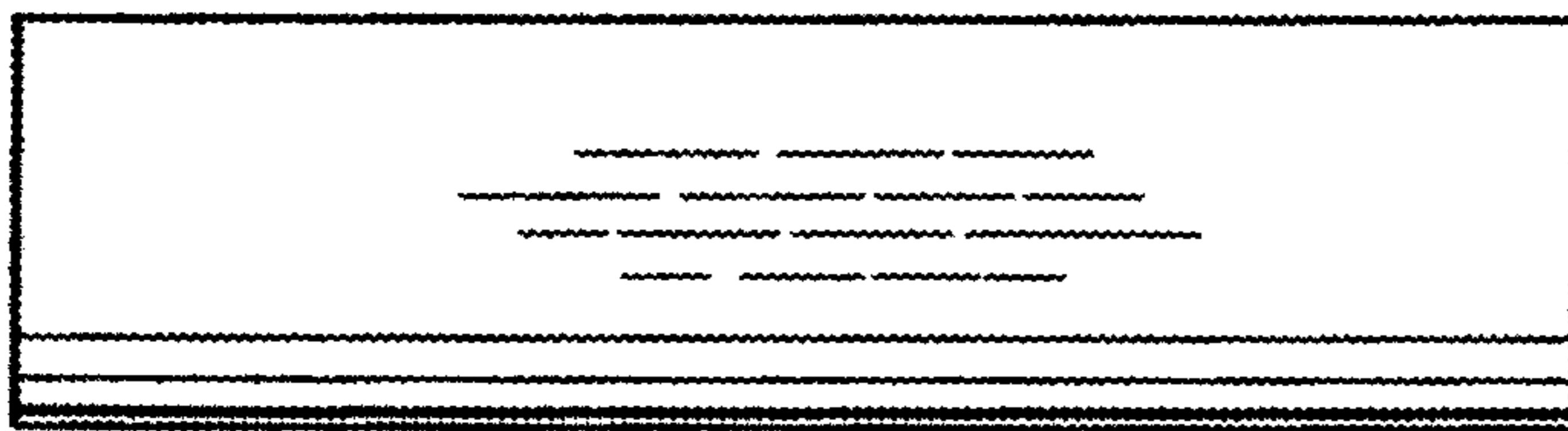


FIG. 7