



US00D875499S

(12) **United States Design Patent**  
**Friedman**

(10) **Patent No.:** **US D875,499 S**

(45) **Date of Patent:** **\*\* Feb. 18, 2020**

(54) **BLADE GUARD**

(71) Applicant: **Harbor Freight Tools USA, INC.,**  
Calabasas, CA (US)

(72) Inventor: **Marc Friedman,** Calabasas, CA (US)

(73) Assignee: **Harbor Freight Tools USA, Inc.,**  
Calabasas, CA (US)

(\*\*) Term: **15 Years**

(21) Appl. No.: **29/655,921**

(22) Filed: **Jul. 9, 2018**

(51) **LOC (12) Cl.** ..... **08-05**

(52) **U.S. Cl.**  
USPC ..... **D8/70; D8/66**

(58) **Field of Classification Search**  
USPC ..... D8/64, 66, 67, 69, 70; D10/64;  
D15/138; D24/146  
CPC ..... B23D 45/16; B27B 9/00; B27G 19/02;  
B27G 19/04  
See application file for complete search history.

(56) **References Cited**

**U.S. PATENT DOCUMENTS**

- 5,918,522 A \* 7/1999 Benedict ..... B27G 19/02  
83/397
- 5,937,720 A \* 8/1999 Itzov ..... B23D 45/048  
83/397
- 6,279,442 B1 \* 8/2001 Chang ..... B27G 19/02  
83/397

- D471,783 S \* 3/2003 McAuliffe ..... D8/66
- 7,089,671 B2 \* 8/2006 Haneda ..... B27B 9/00  
30/374
- 7,243,587 B2 \* 7/2007 Carroll ..... B27G 19/02  
83/397
- 7,779,736 B2 \* 8/2010 Liu ..... B27B 5/29  
83/397
- D653,080 S \* 1/2012 Haley ..... D7/376
- D744,800 S \* 12/2015 Cooksey ..... D8/70
- 9,610,704 B2 \* 4/2017 Francis ..... B23D 45/16
- 9,840,027 B2 \* 12/2017 Fritz ..... B27G 19/02

\* cited by examiner

*Primary Examiner* — Darlington Ly

(74) *Attorney, Agent, or Firm* — McAndrews, Held & Malloy, Ltd.

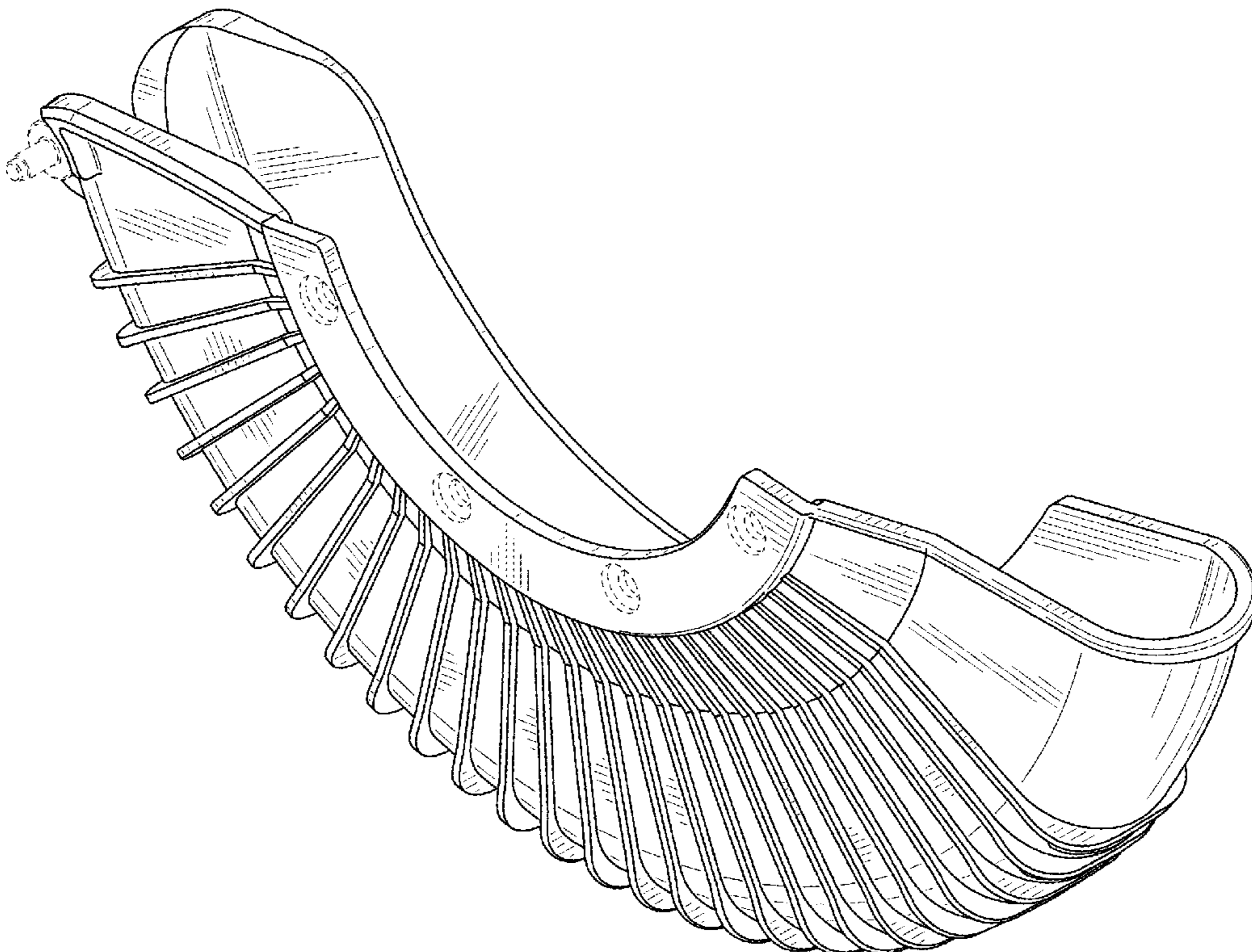
(57) **CLAIM**

The ornamental design for a blade guard, as shown and described.

**DESCRIPTION**

FIG. 1 is a top-front perspective view of a blade guard showing my new design;  
 FIG. 2 is a left side elevation view thereof;  
 FIG. 3 is a right side elevation view thereof;  
 FIG. 4 is a front elevation view thereof;  
 FIG. 5 is a rear elevation thereof;  
 FIG. 6 is a top plan view thereof;  
 FIG. 7 is a bottom plan view thereof; and,  
 FIG. 8 is a bottom-rear perspective view thereof.  
 The dashed broken lines in the figures illustrate portions of the blade guard that form no part of the claimed design.

**1 Claim, 6 Drawing Sheets**



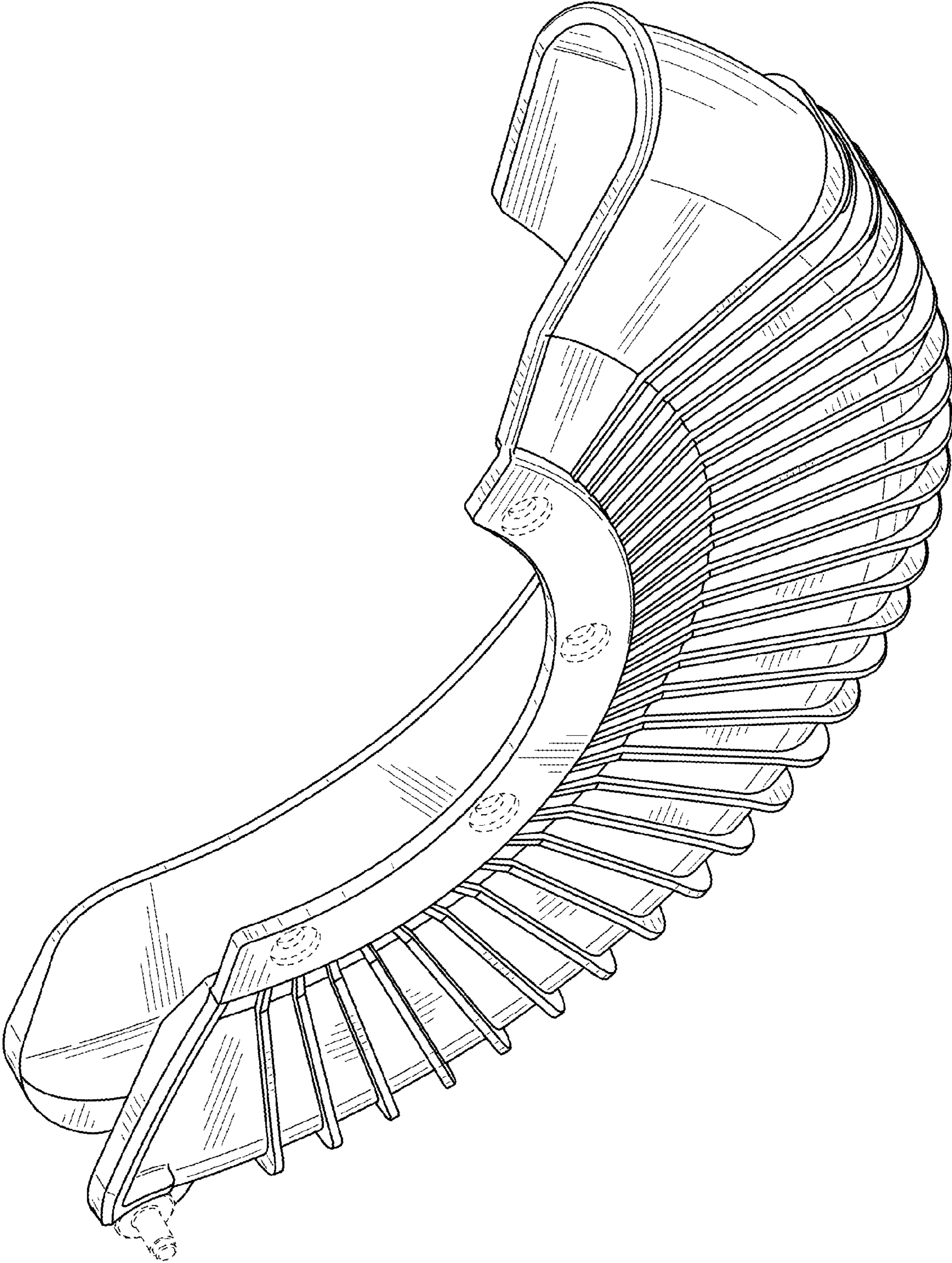


FIG. 1

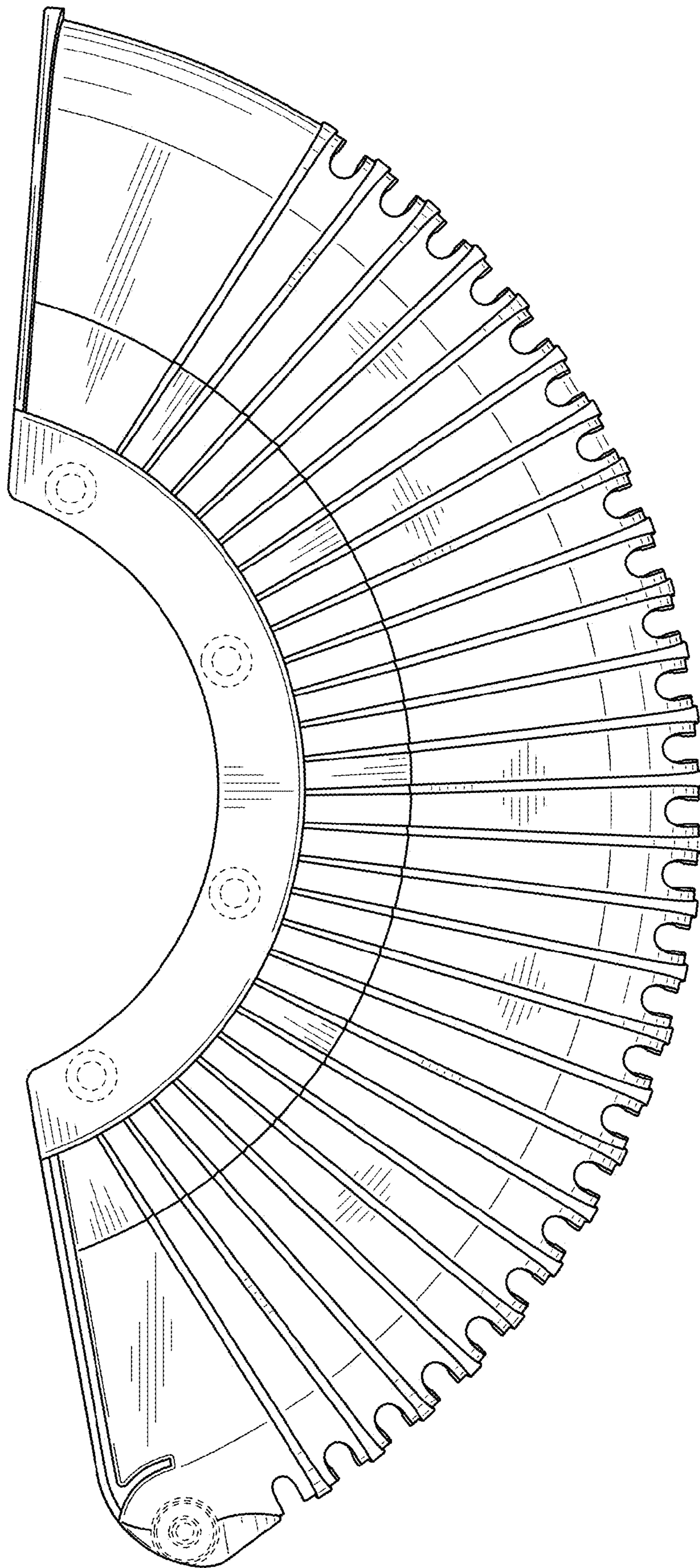


FIG. 2

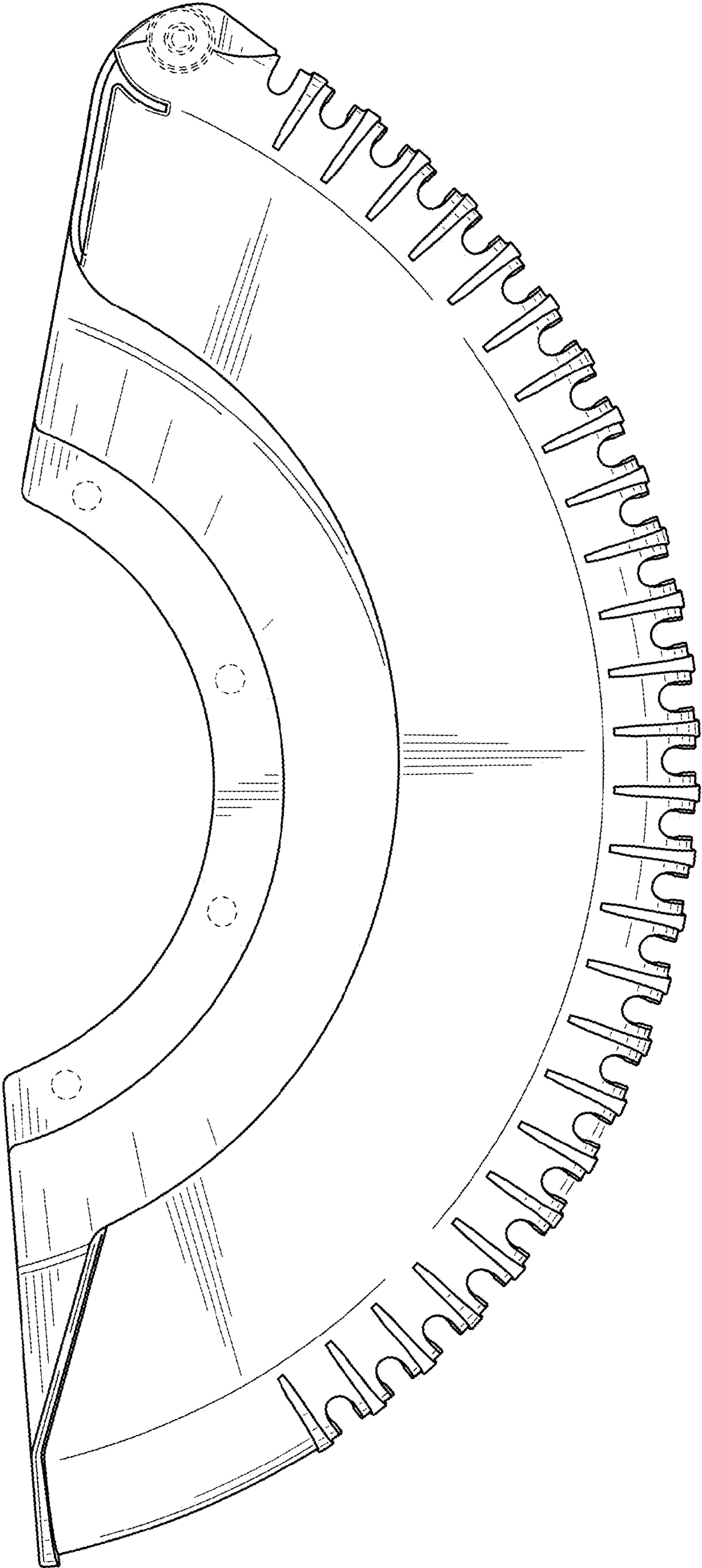


FIG. 3

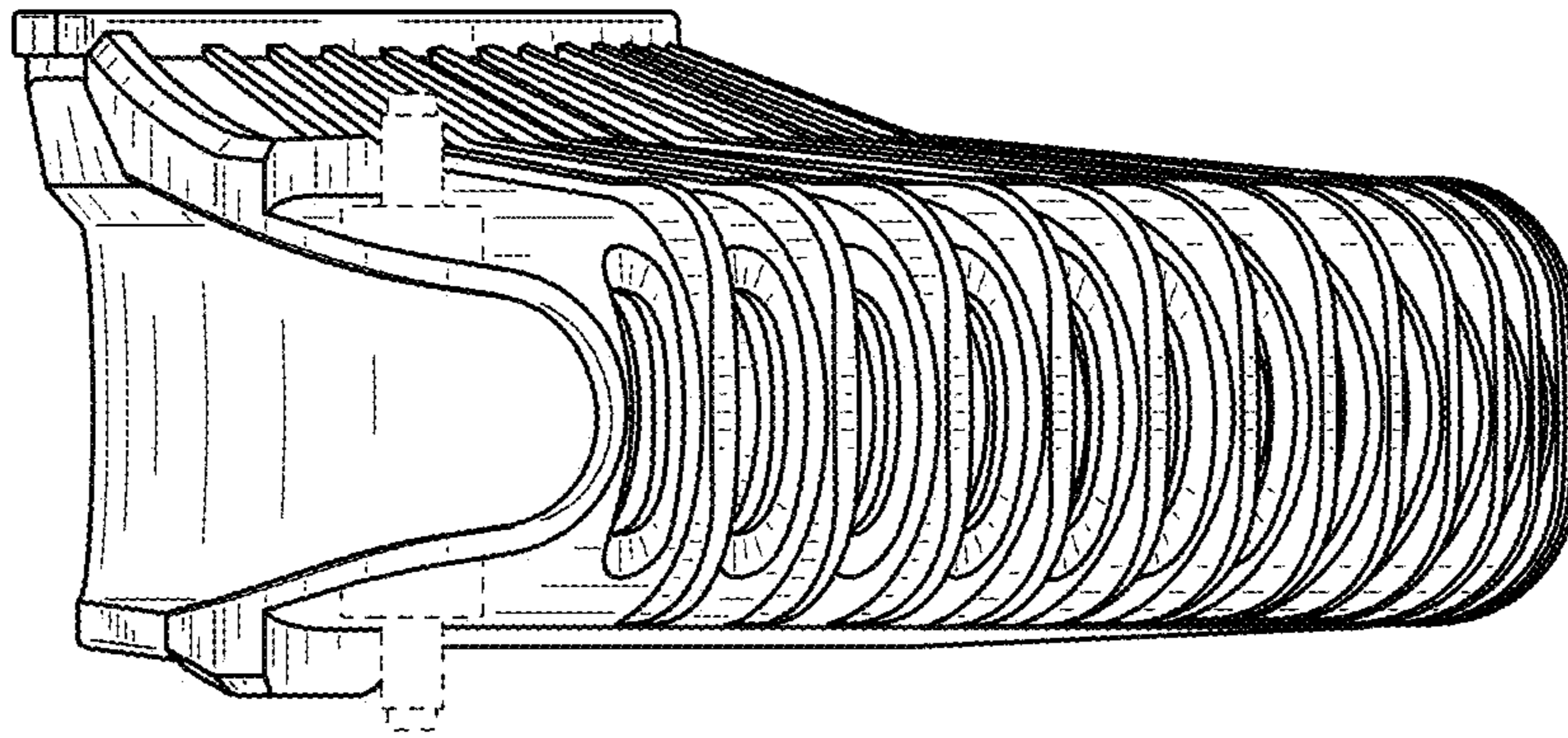


FIG. 5

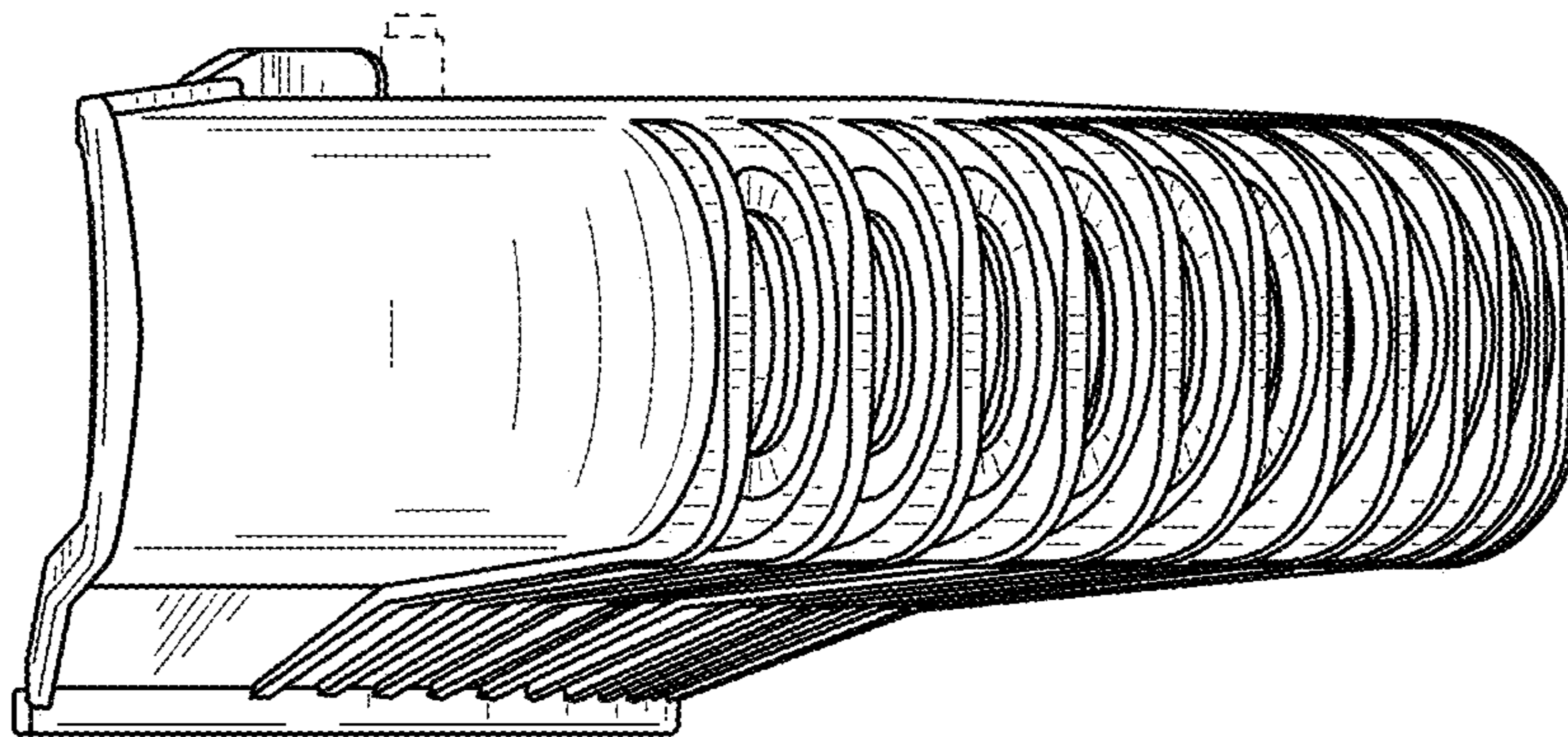


FIG. 4

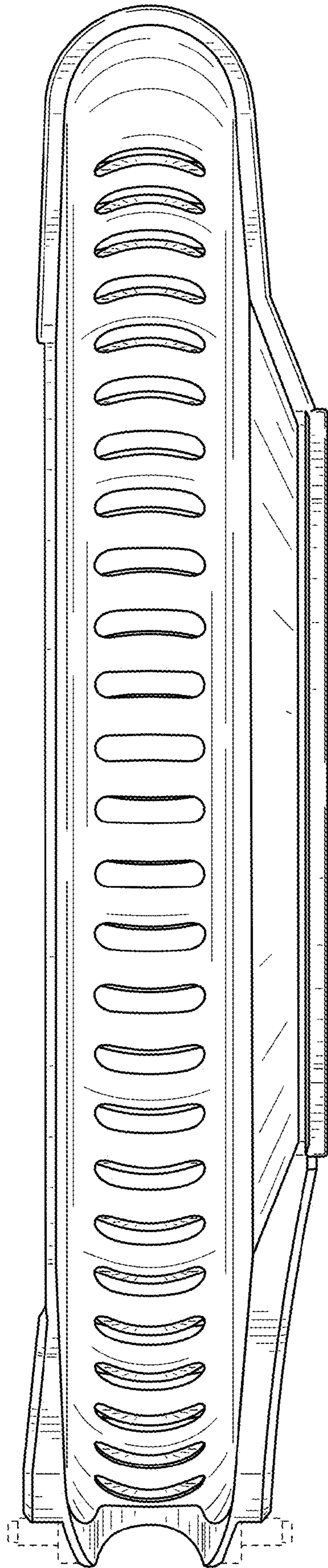


FIG. 6

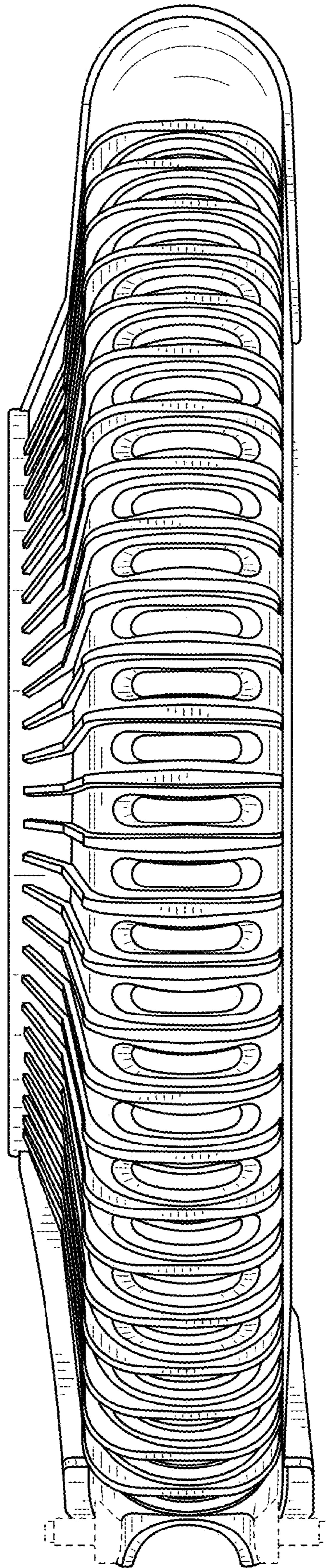


FIG. 7

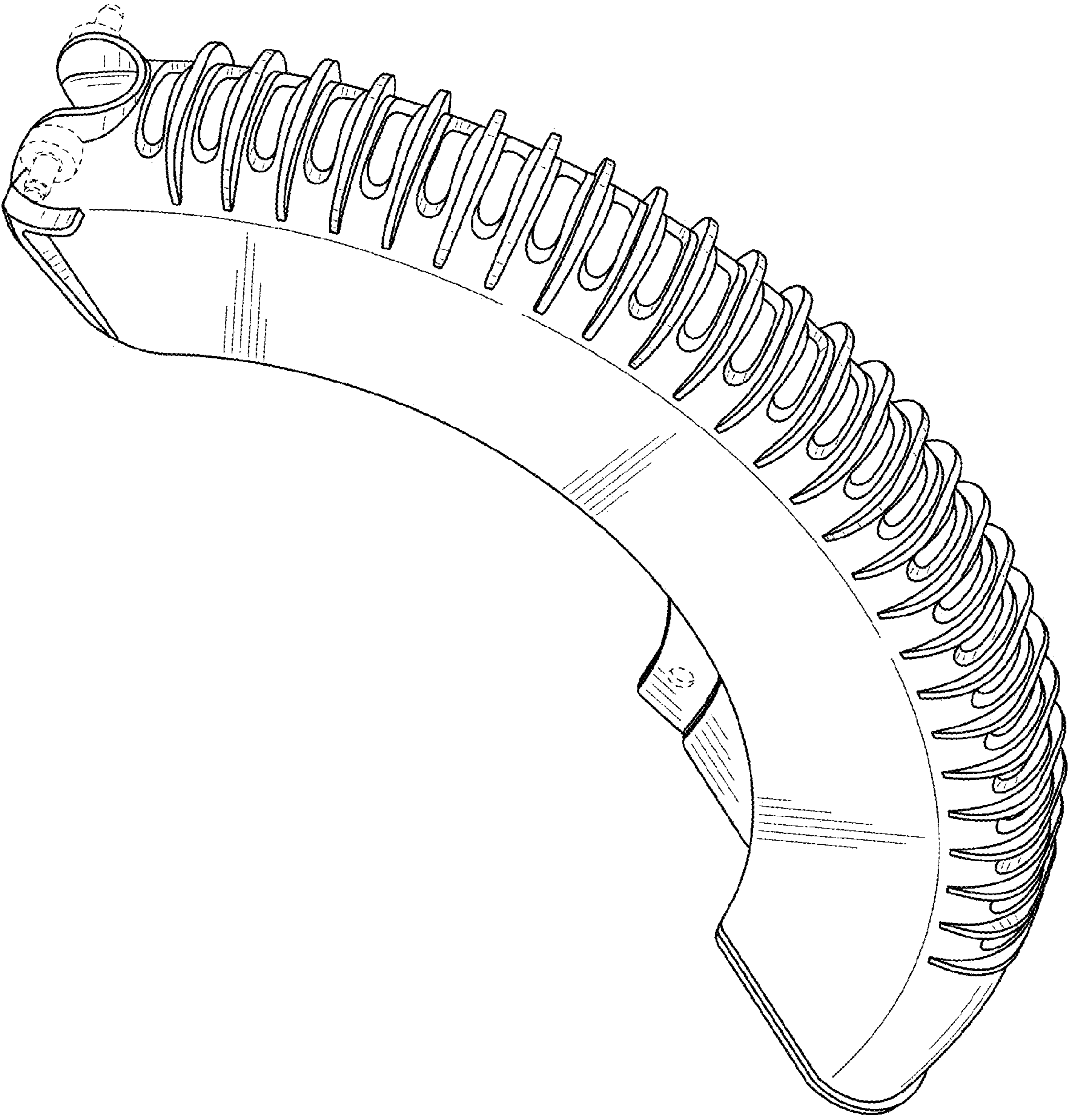


FIG. 8