

US00D875498S

(12) **United States Design Patent**
Yang

(10) **Patent No.:** **US D875,498 S**
(45) **Date of Patent:** **** Feb. 18, 2020**

(54) **MINI ELECTRIC CIRCULAR SAW**
(71) Applicant: **ZHUHAI SHARP-GROUP ENTERPRISE CO., LTD.**, Zhuhai (CN)
(72) Inventor: **Xiaofei Yang**, Zhuhai (CN)
(73) Assignee: **ZHUHAI SHARP-GROUP ENTERPRISE CO., LTD.**, Zhuhai (CN)
(**) Term: **15 Years**

7,963,829 B2 * 6/2011 Gwyther A22B 5/163
452/133
D642,886 S * 8/2011 Sciamma D8/66
D648,999 S * 11/2011 Moreno D8/66
D711,716 S * 8/2014 Tinius D8/65
D754,509 S * 4/2016 Lee D8/66
D820,655 S * 6/2018 Waldron D8/66

* cited by examiner

Primary Examiner — Austin Murphy

(21) Appl. No.: **29/660,360**
(22) Filed: **Aug. 21, 2018**

(30) **Foreign Application Priority Data**

May 23, 2018 (CN) 2018 3 0244089
(51) **LOC (12) Cl.** **08-03**
(52) **U.S. Cl.**
USPC **D8/66**
(58) **Field of Classification Search**
USPC D8/69, 68, 67, 66, 64, 61, 70; 83/698.41,
83/747, 166.3, 374, 373, 375, 376, 391,
83/377, 390, 388, 389; 30/122, 124, 329;
144/218; D21/532
CPC B27B 9/00; B27B 9/02; B27B 5/02; B27B
5/18; B27B 33/08; B28D 1/04; B28D
1/045; B23D 45/00; B23D 45/16; B23D
47/02
See application file for complete search history.

(57) **CLAIM**

The ornamental design for a mini electric circular saw, as shown and described.

DESCRIPTION

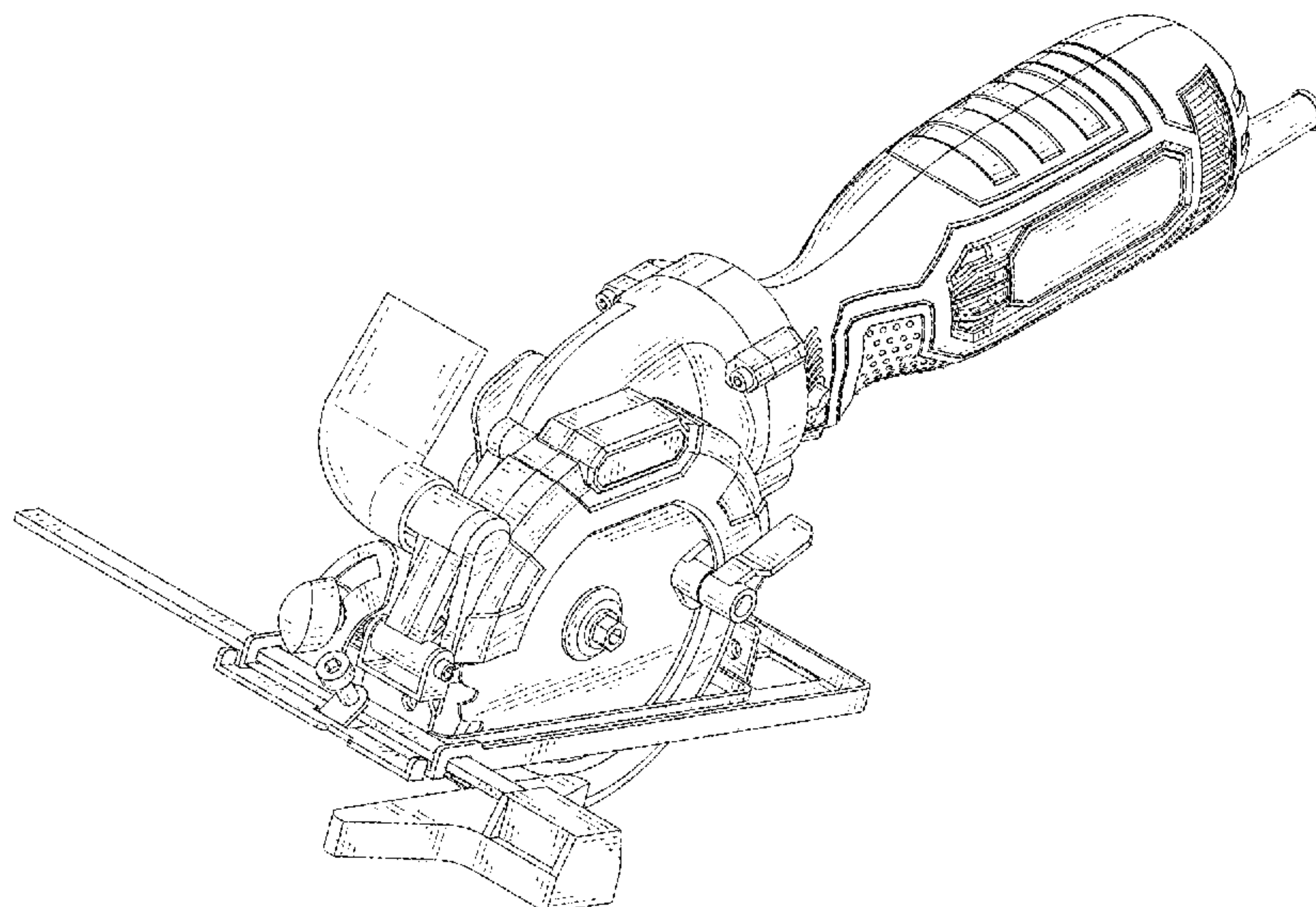
FIG. 1 is a top-down perspective view of a mini electric circular saw showing my new design;
FIG. 2 is a bottom-up perspective view thereof;
FIG. 3 is an angled left side perspective view thereof;
FIG. 4 is a front side elevation view thereof;
FIG. 5 is a rear side elevation view thereof;
FIG. 6 is a left side elevation view thereof;
FIG. 7 is a right side elevation view thereof;
FIG. 8 is a top plan view thereof;
FIG. 9 is a bottom plan view thereof;
FIG. 10 is a first partially enlarged view of FIG. 4;
FIG. 11 is a second partially enlarged view of FIG. 4;
FIG. 12 is a partially enlarged view of FIG. 5;
FIG. 13 is a partially enlarged view of FIG. 6;
FIG. 14 is a partially enlarged view of FIG. 7;
FIG. 15 is a partially enlarged view of FIG. 8;
FIG. 16 is a first partially enlarged view of FIG. 9; and,
FIG. 17 is a second partially enlarged view of FIG. 9.
Broken lines depict portions of the mini electric circular saw that form no part of the claimed design. Dot-dash broken lines depict boundaries of the partially enlarged part of the corresponding figures that form no part of the claimed design.

(56) **References Cited**

U.S. PATENT DOCUMENTS

D282,142 S * 1/1986 Siravo D8/66
D316,220 S * 4/1991 Ailey, Jr. D8/66
D521,680 S * 5/2006 Chen D27/148
D573,432 S * 7/2008 Gavins D8/66

1 Claim, 17 Drawing Sheets



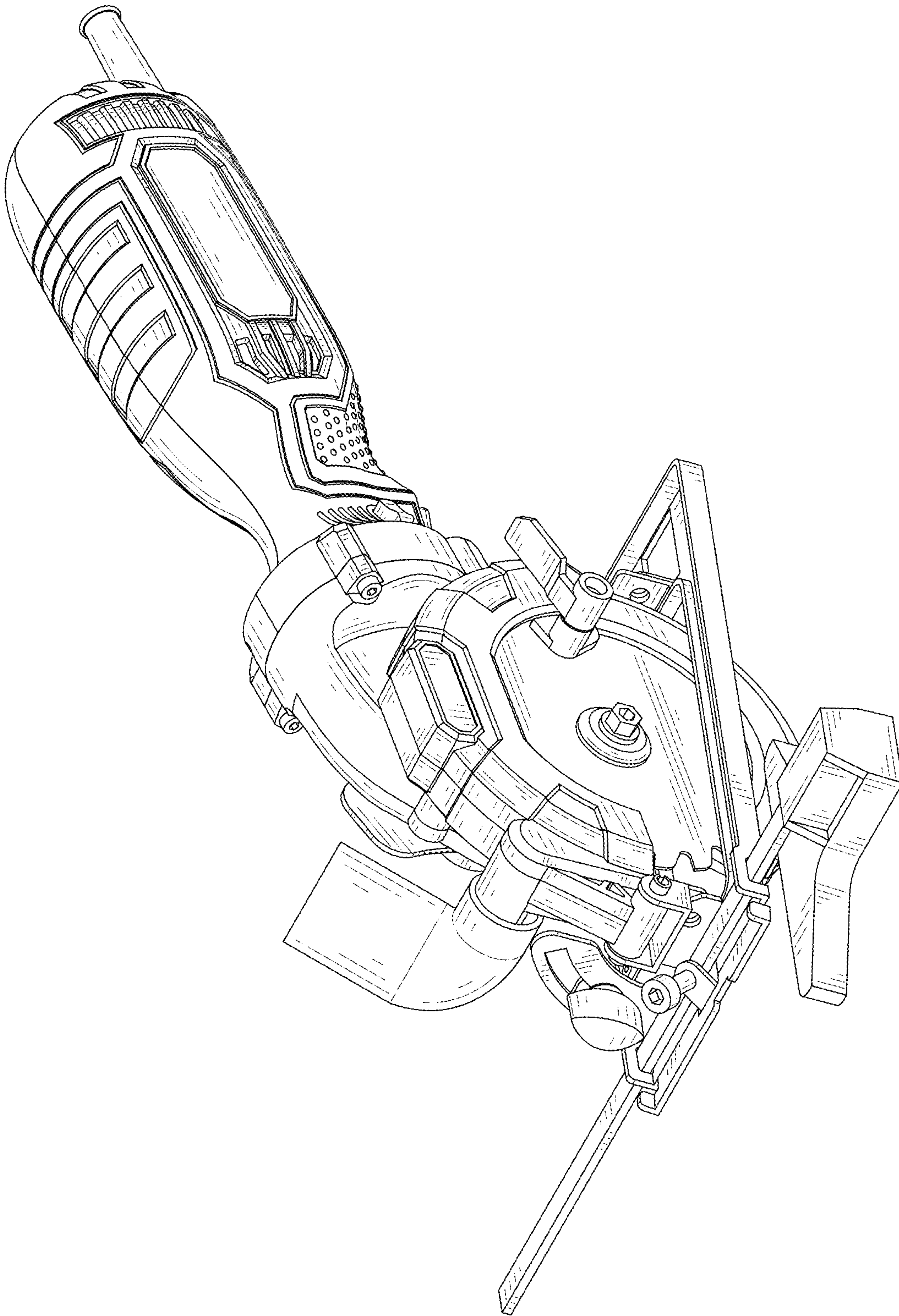


FIG. 1

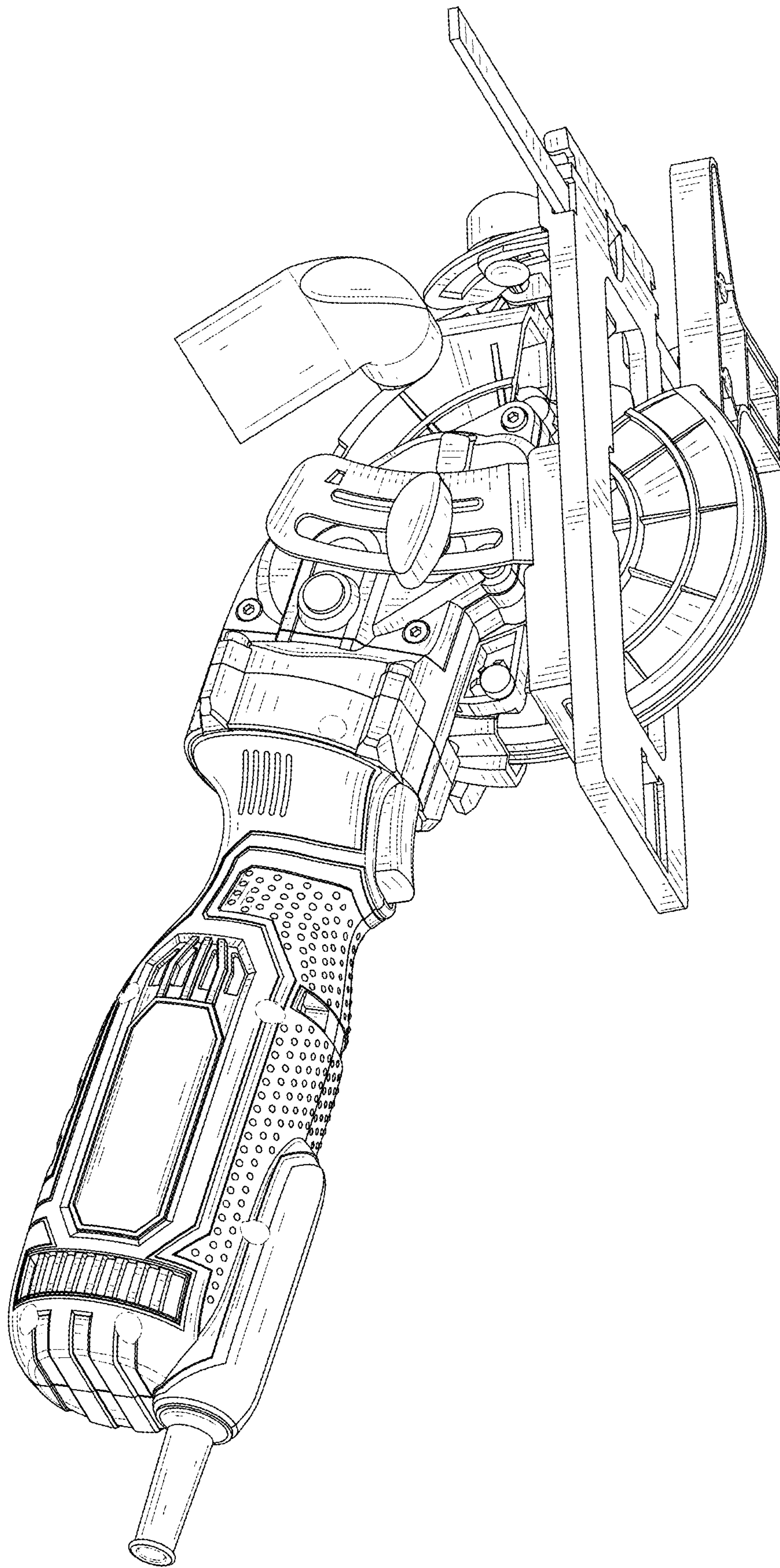


FIG. 2

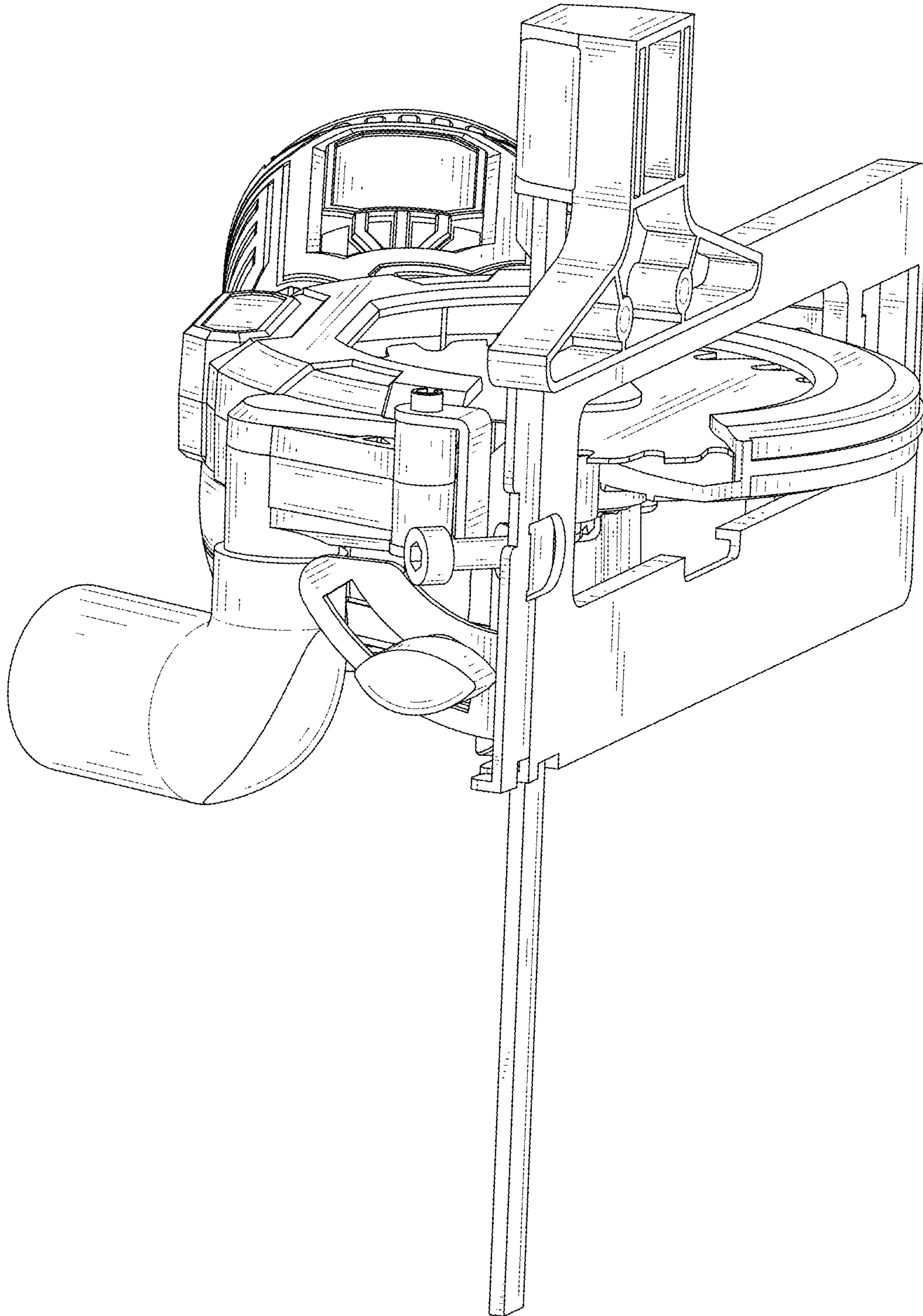


FIG. 3

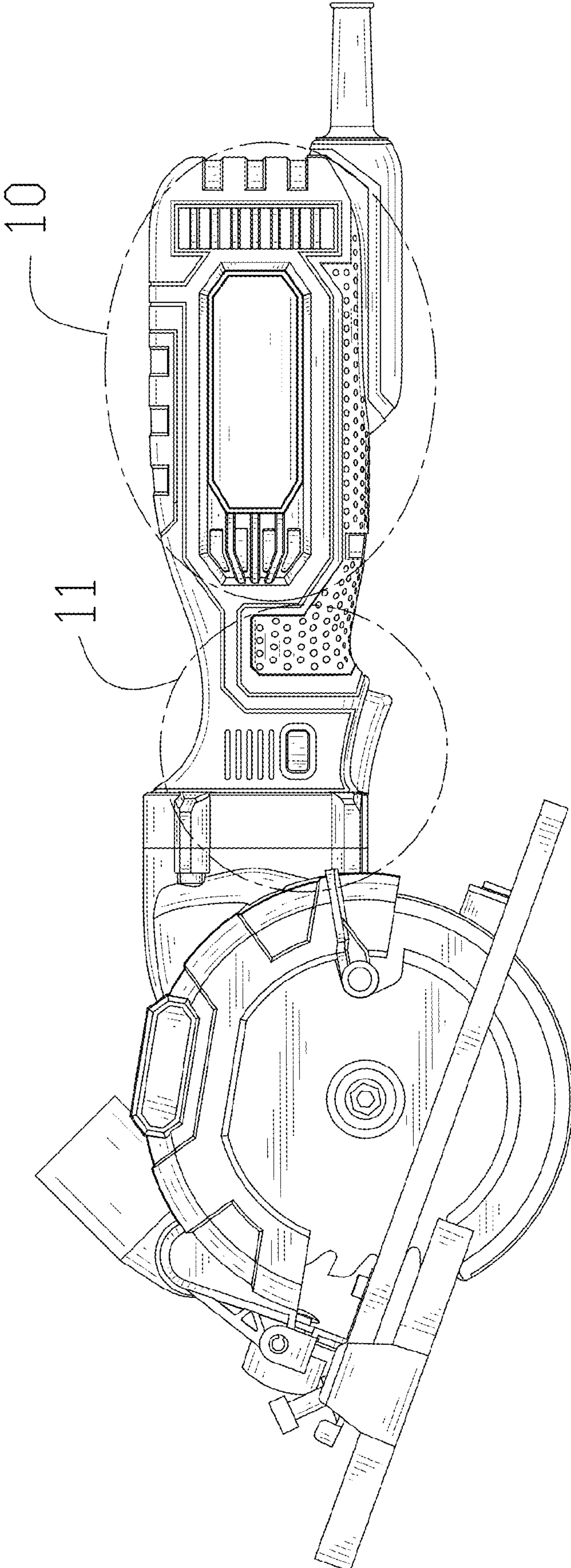


FIG. 4

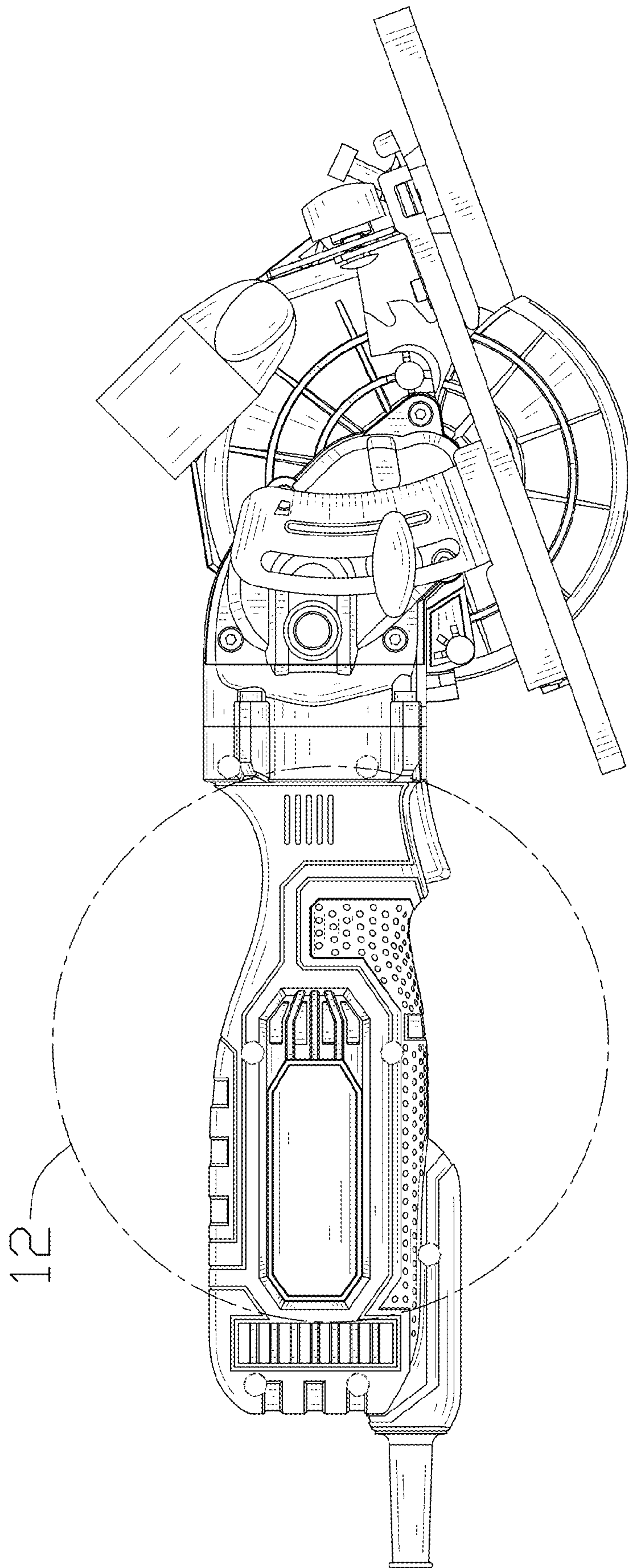


FIG. 5

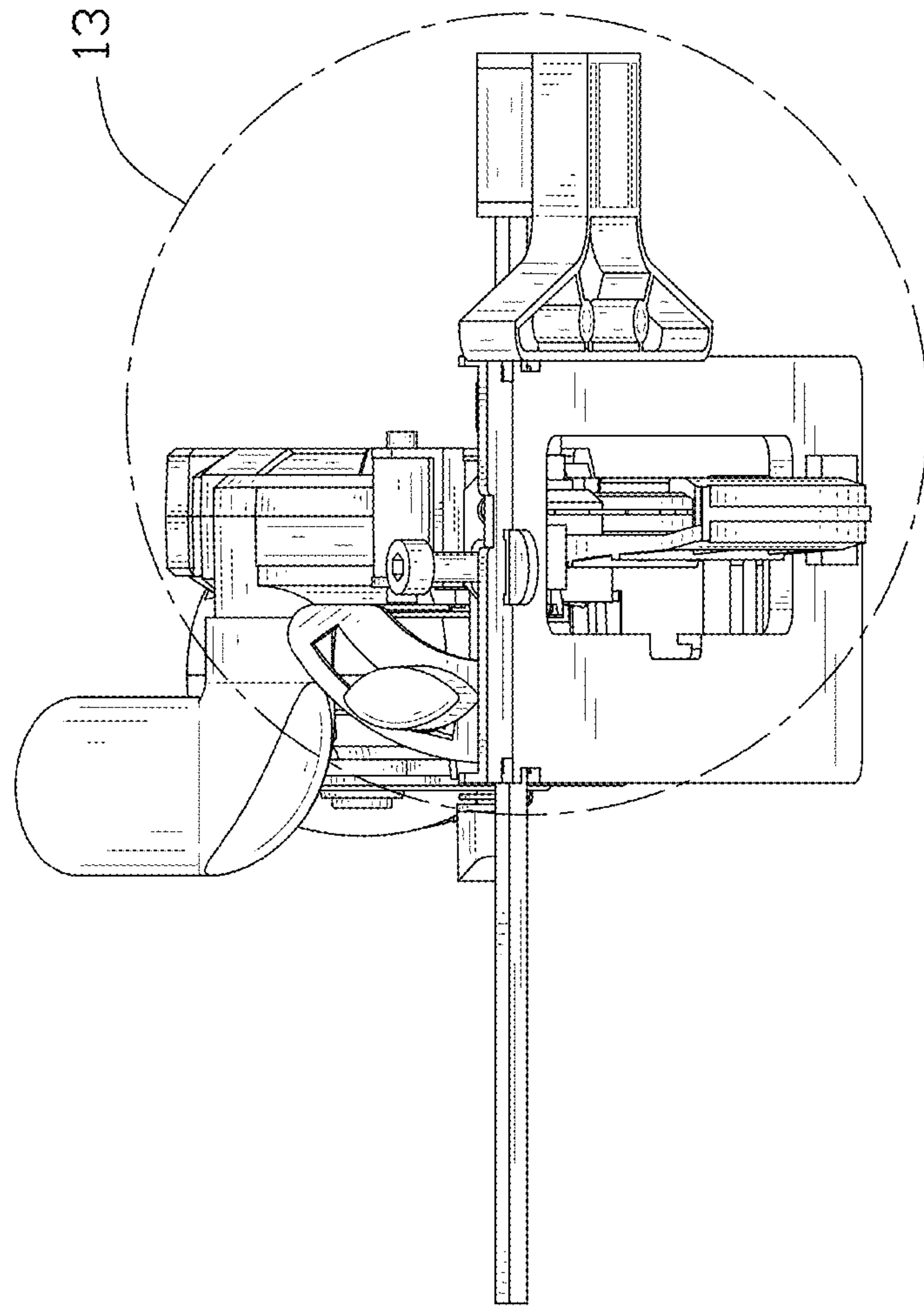


FIG. 6

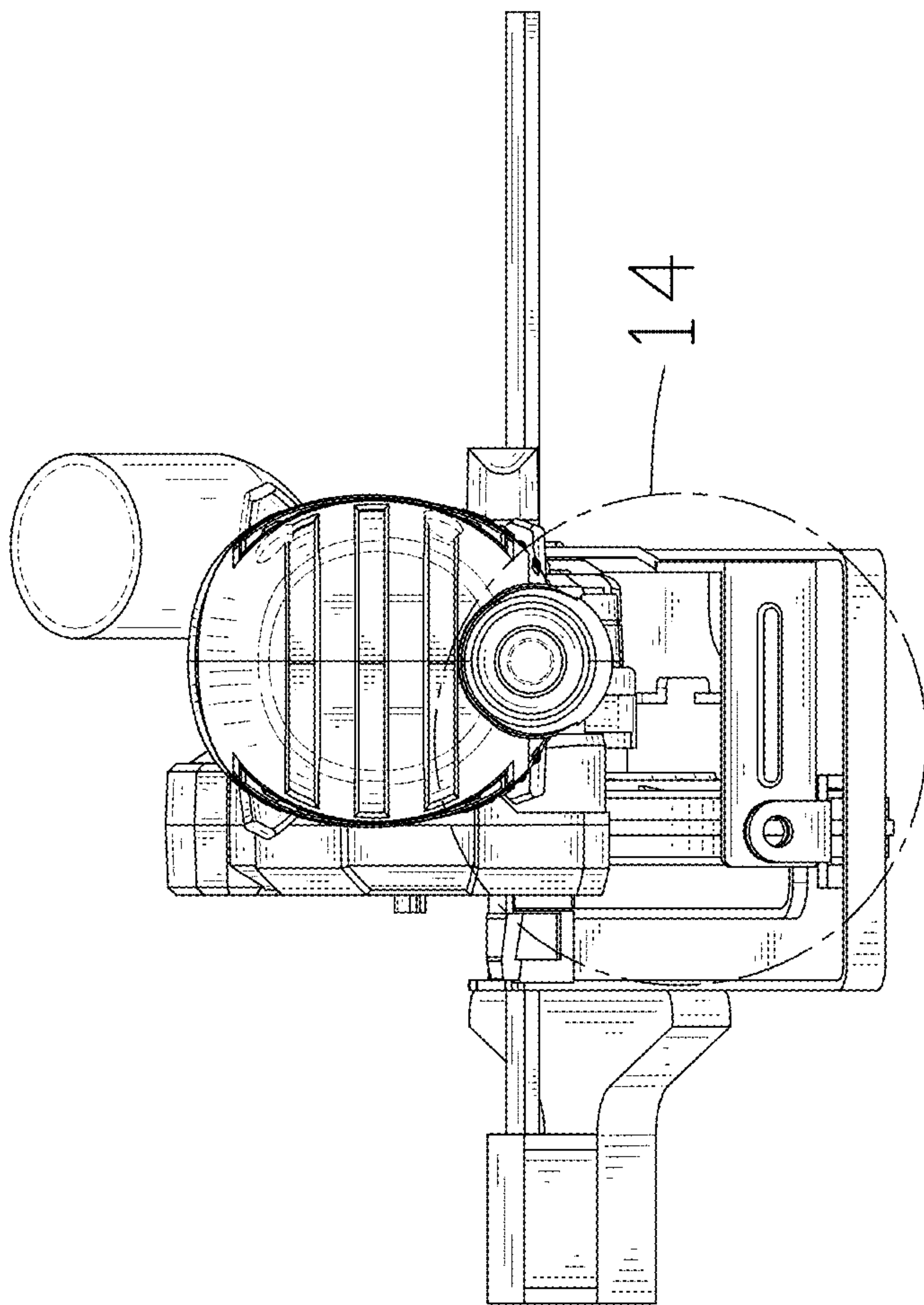


FIG. 7

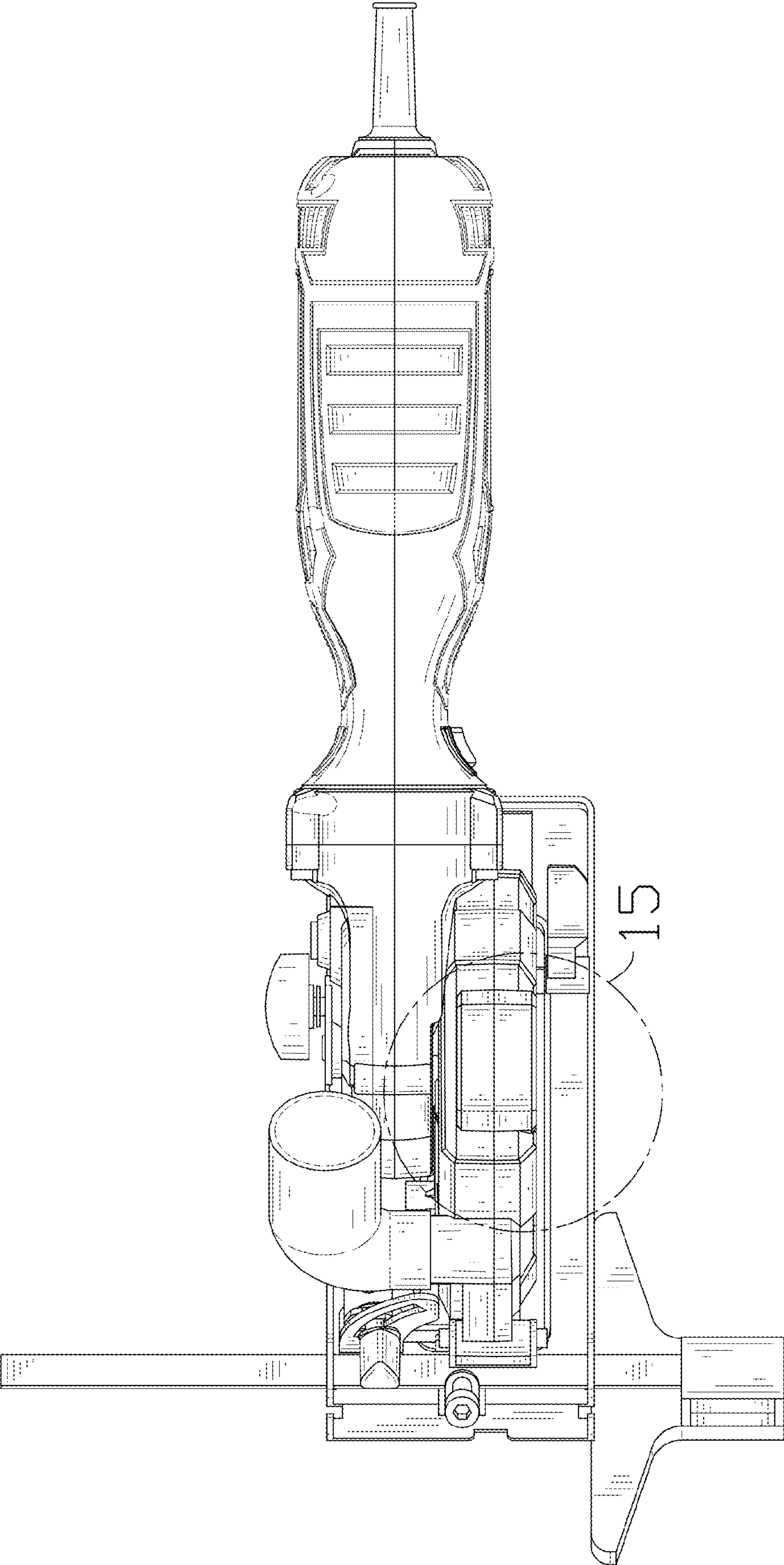


FIG. 8

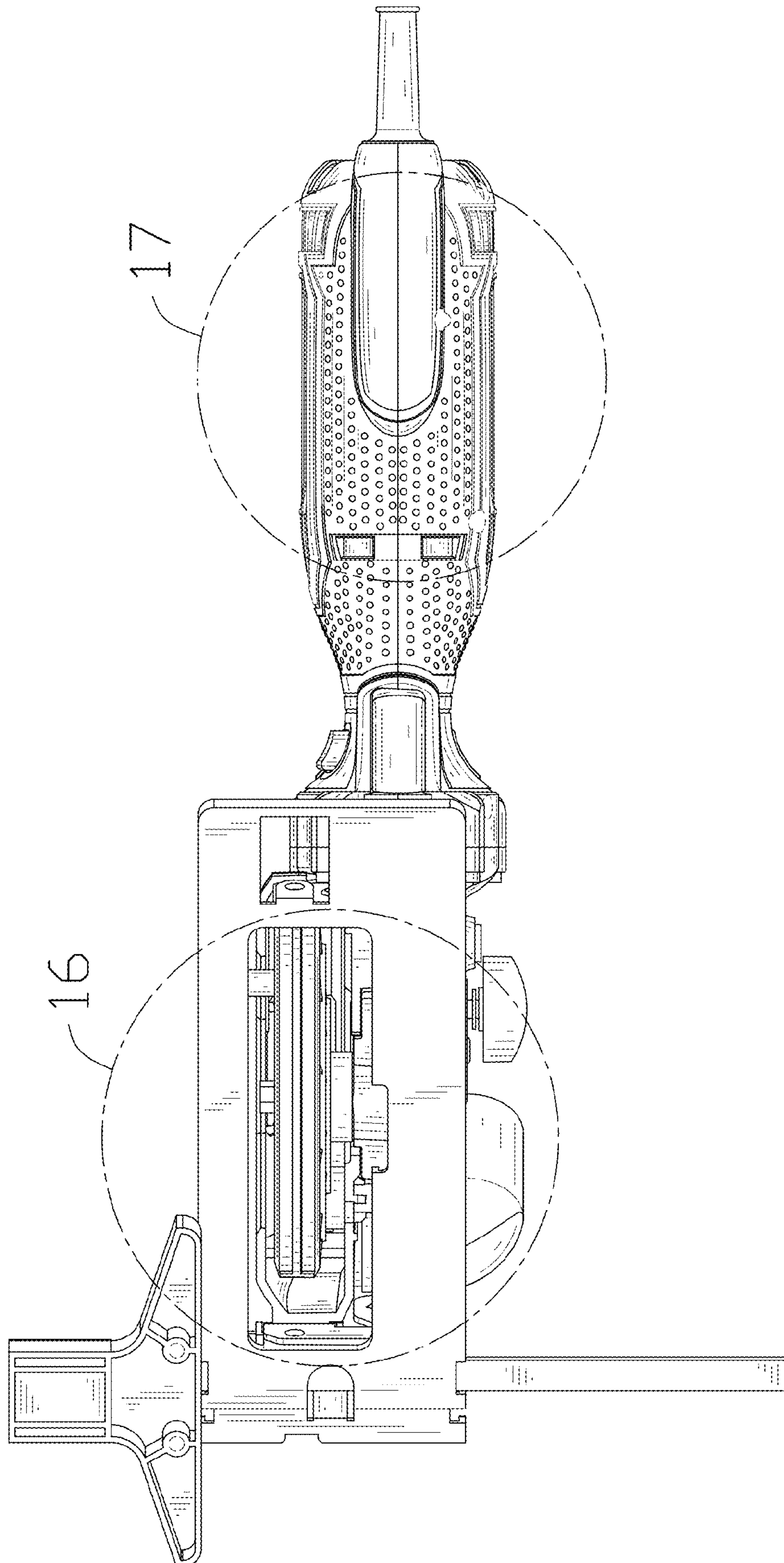


FIG. 9

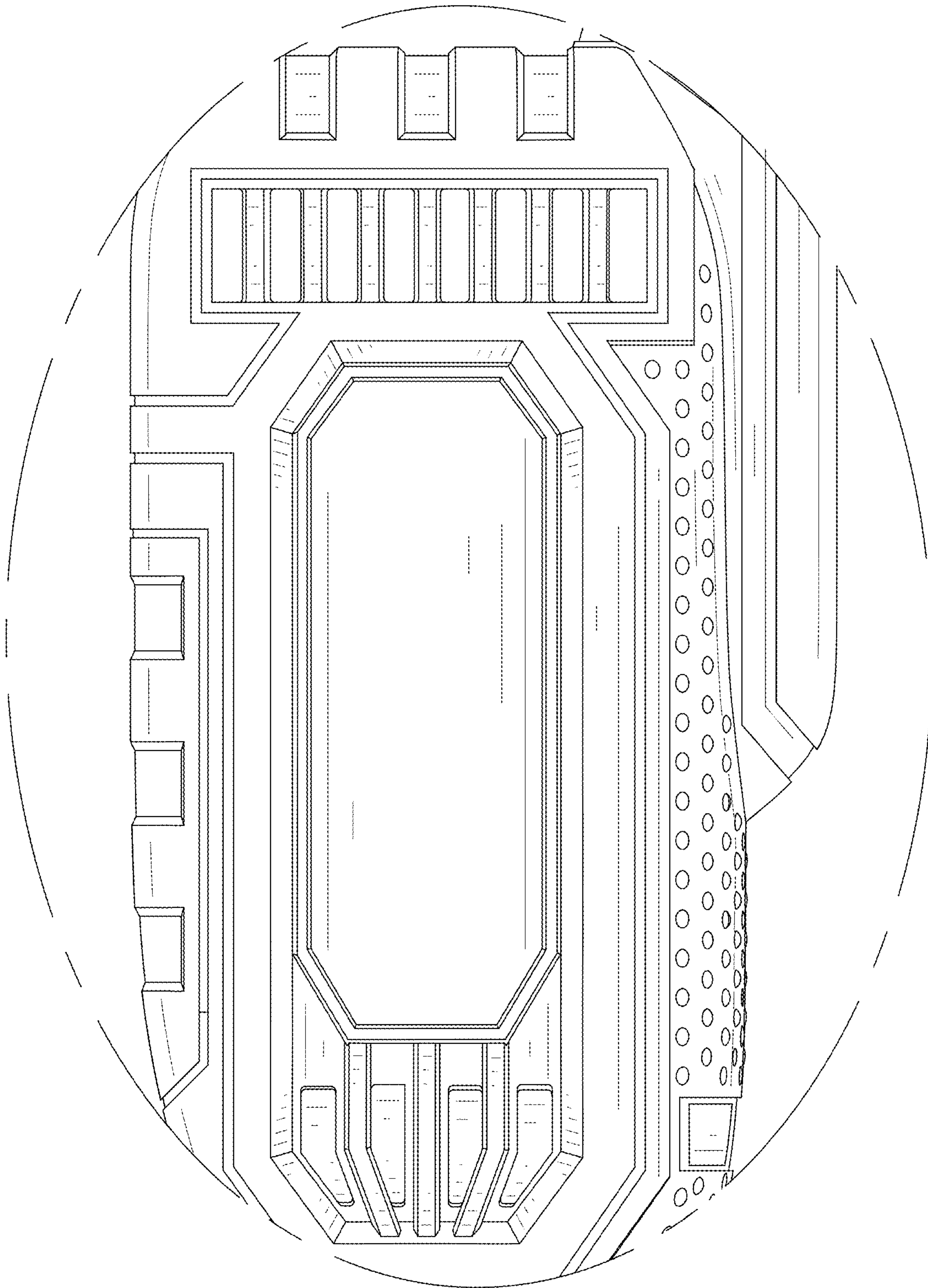


FIG. 10

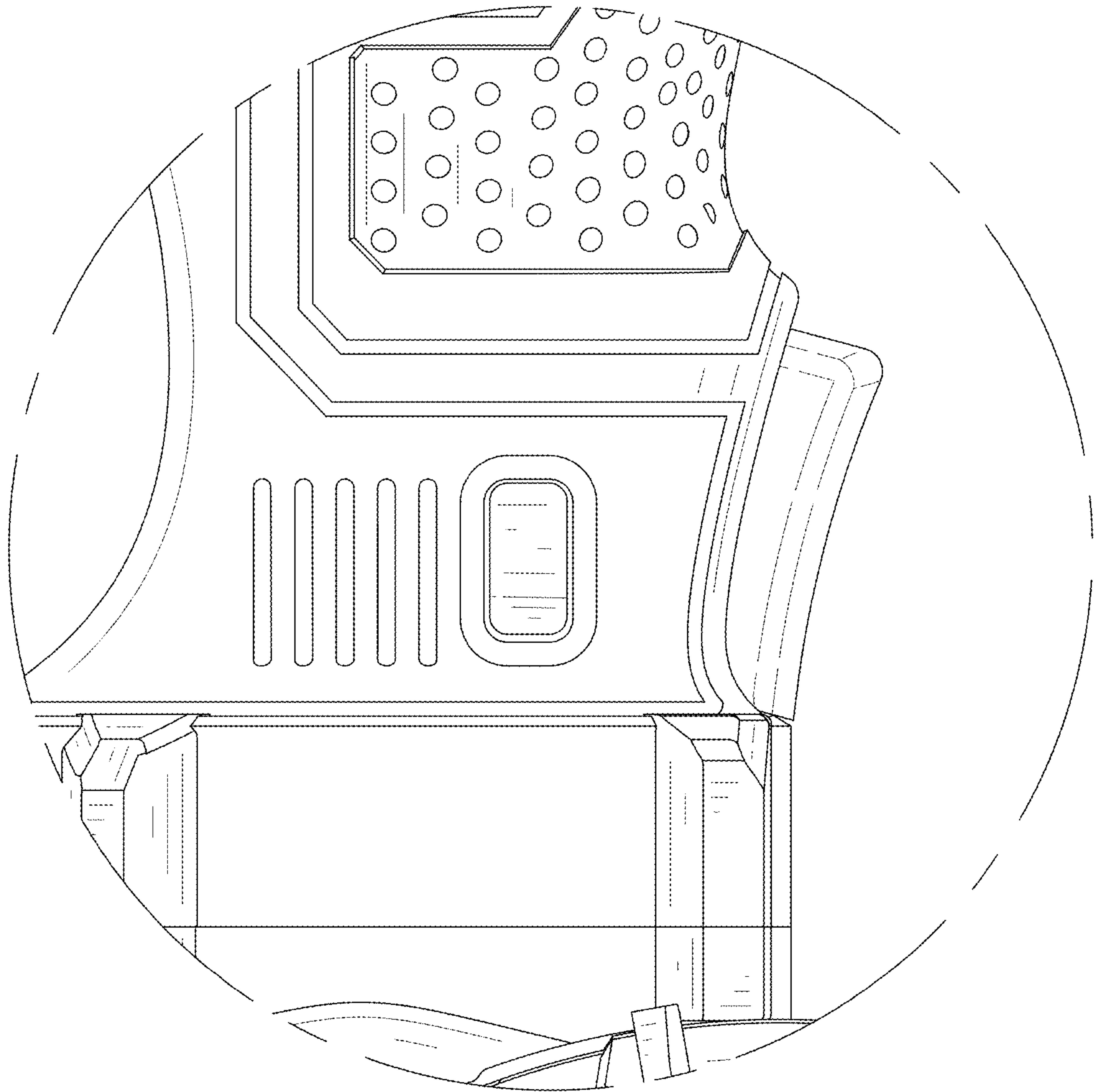


FIG. 11

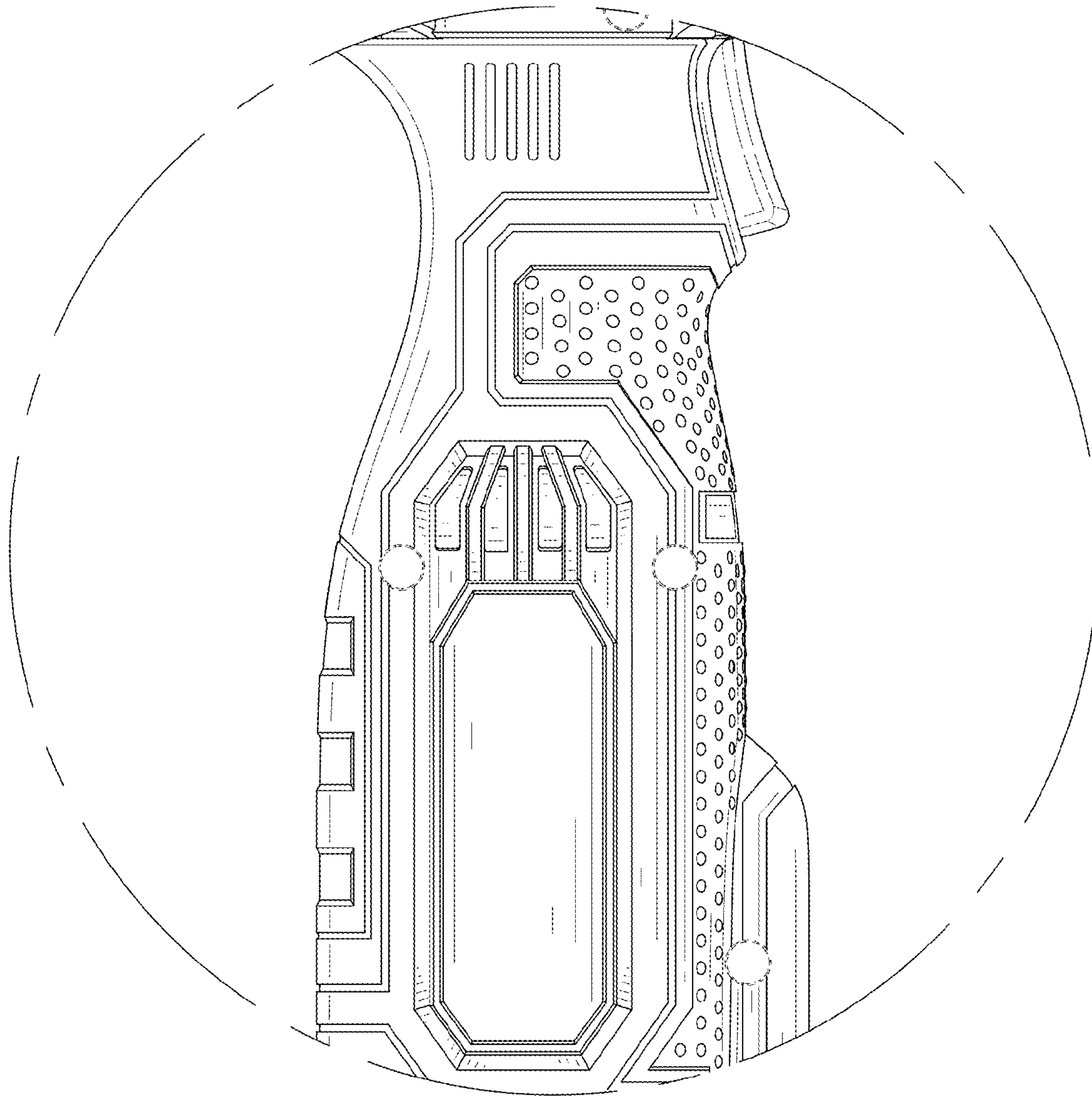


FIG. 12

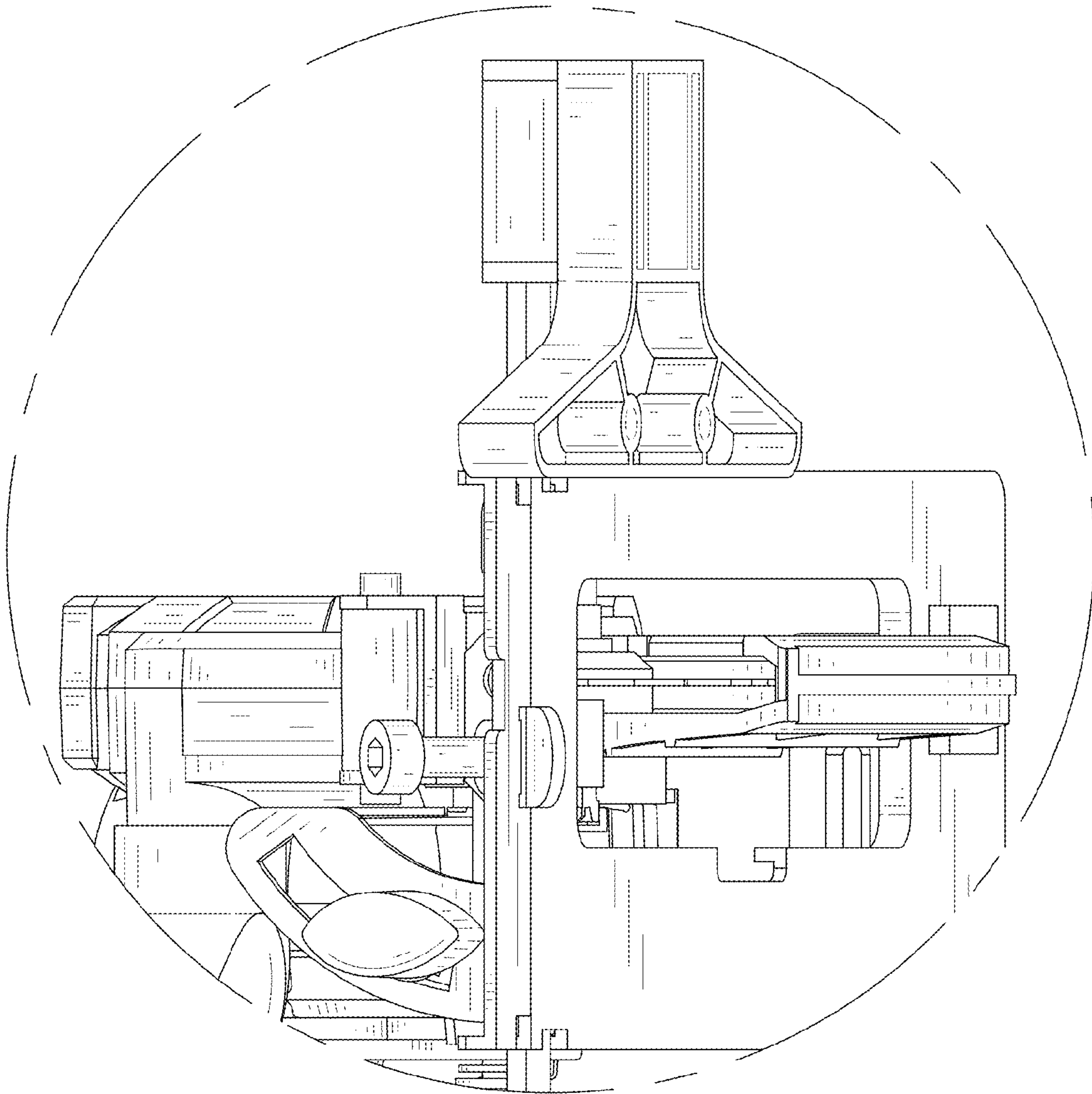


FIG. 13

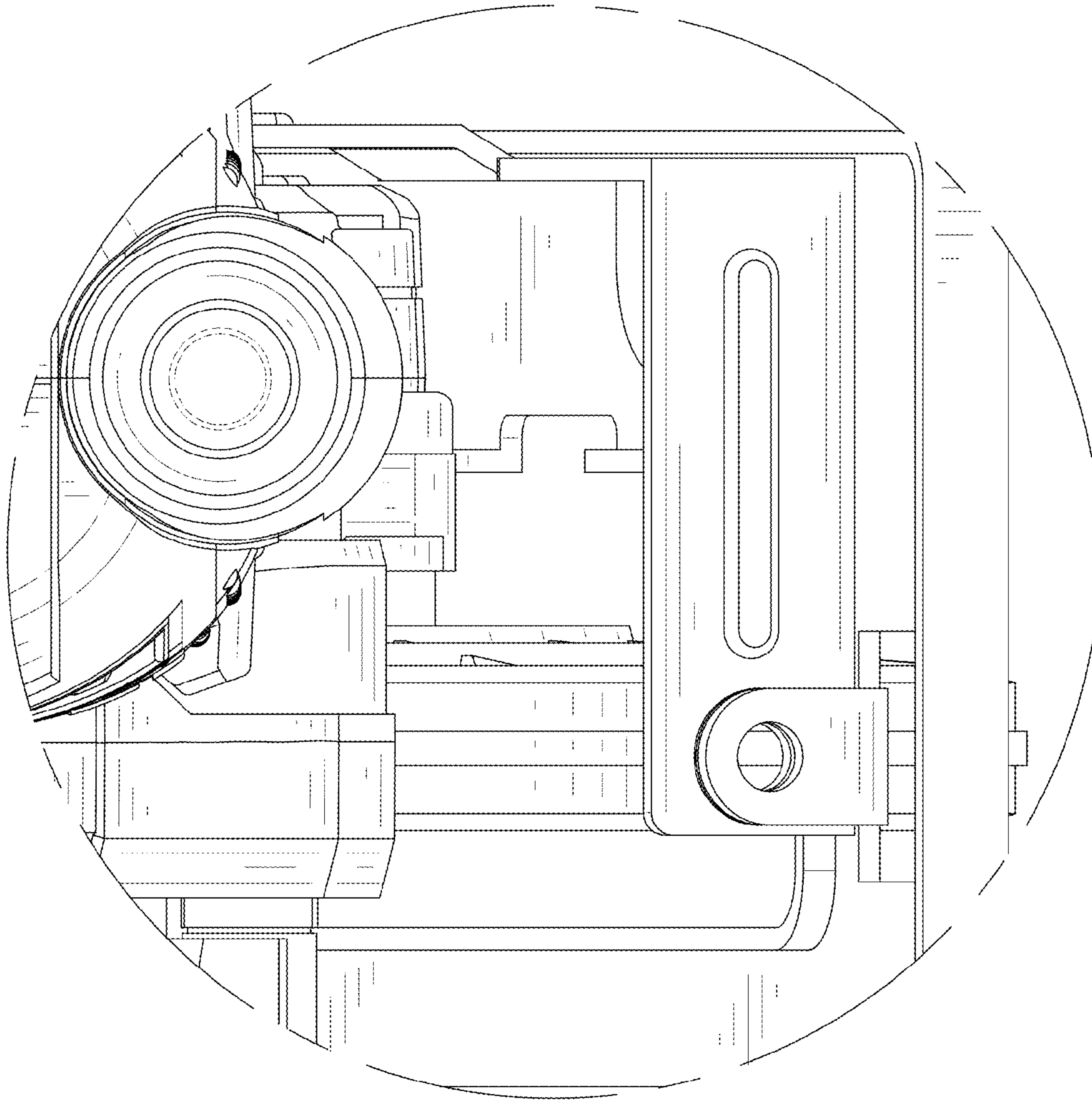


FIG. 14

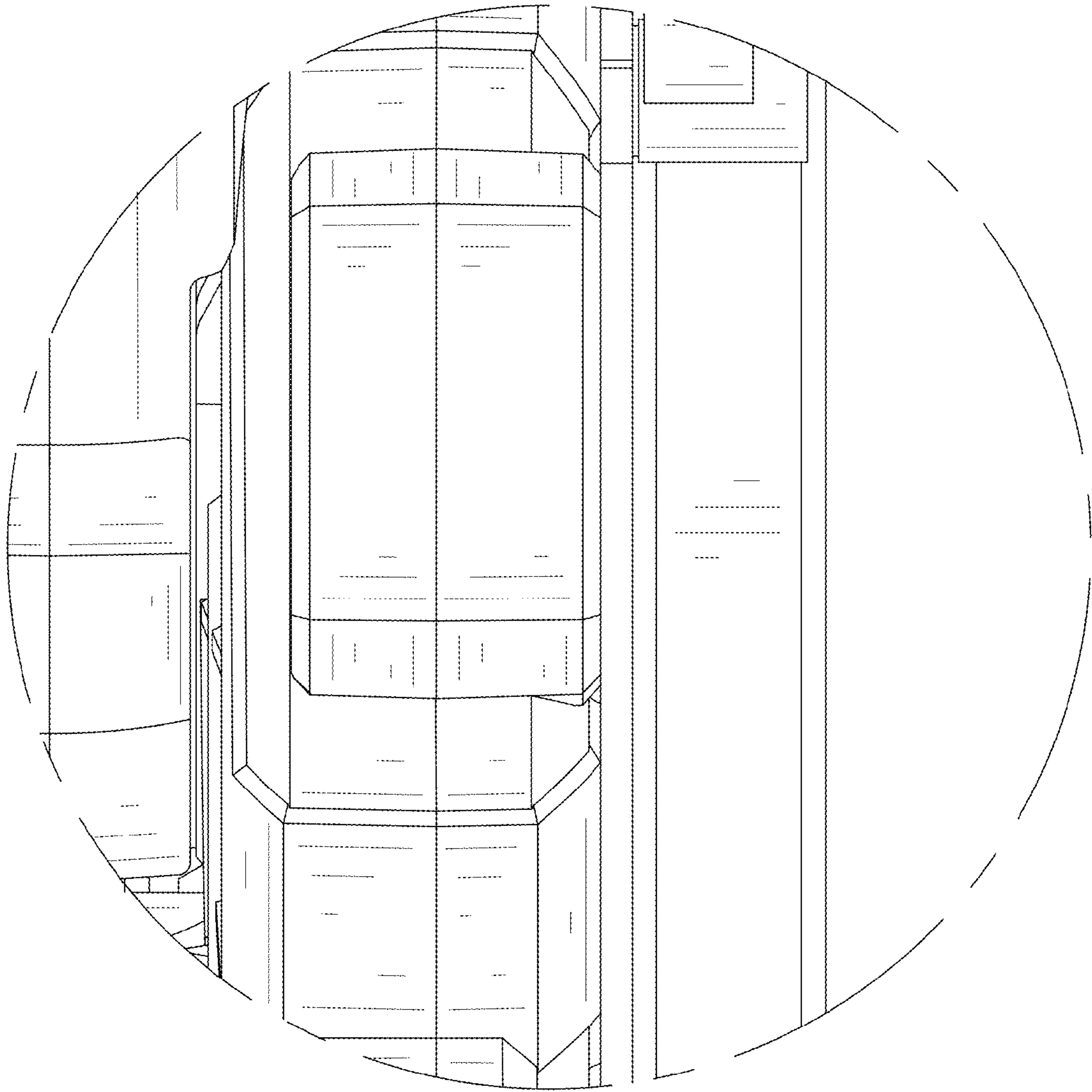


FIG. 15

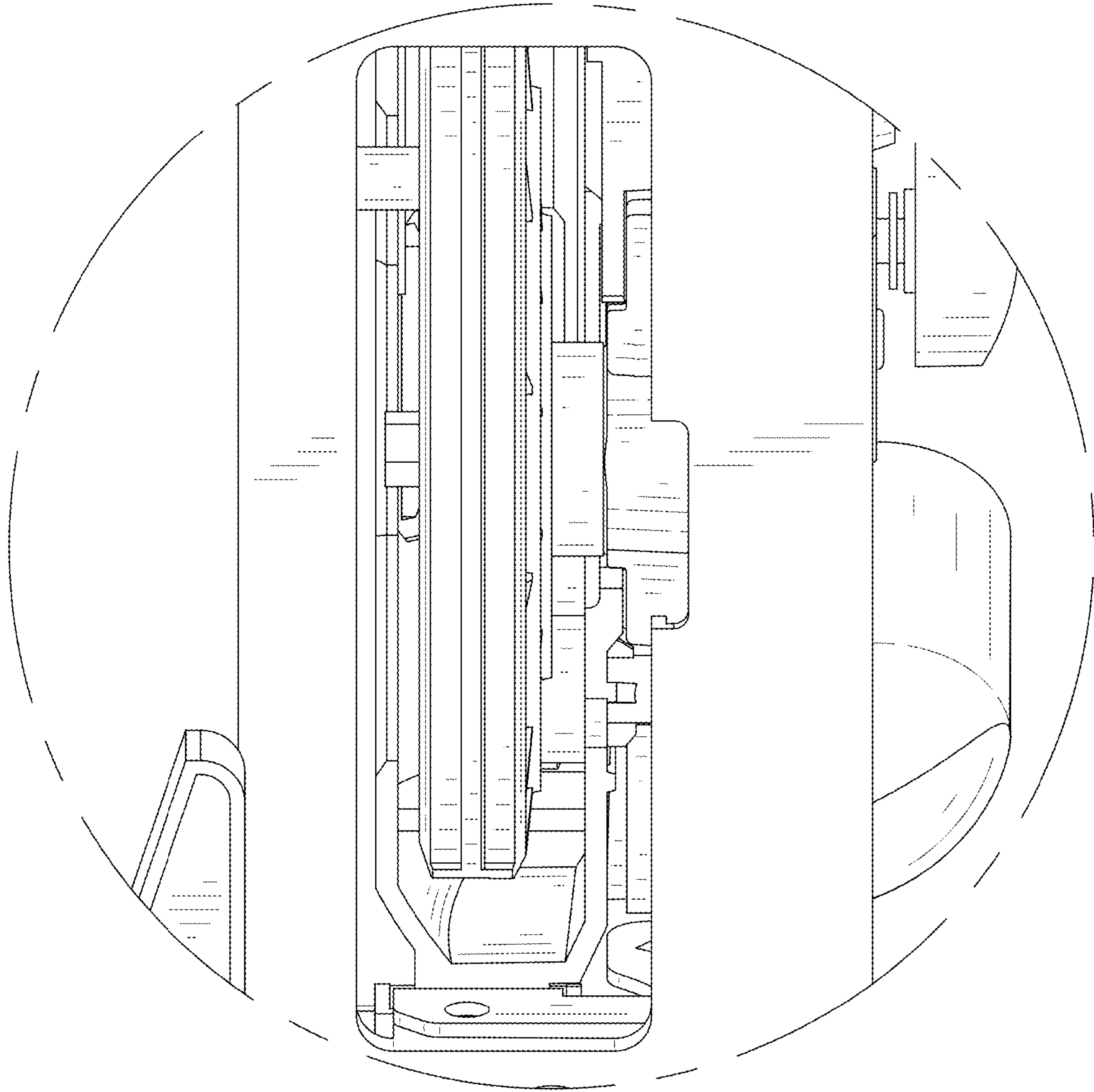


FIG. 16

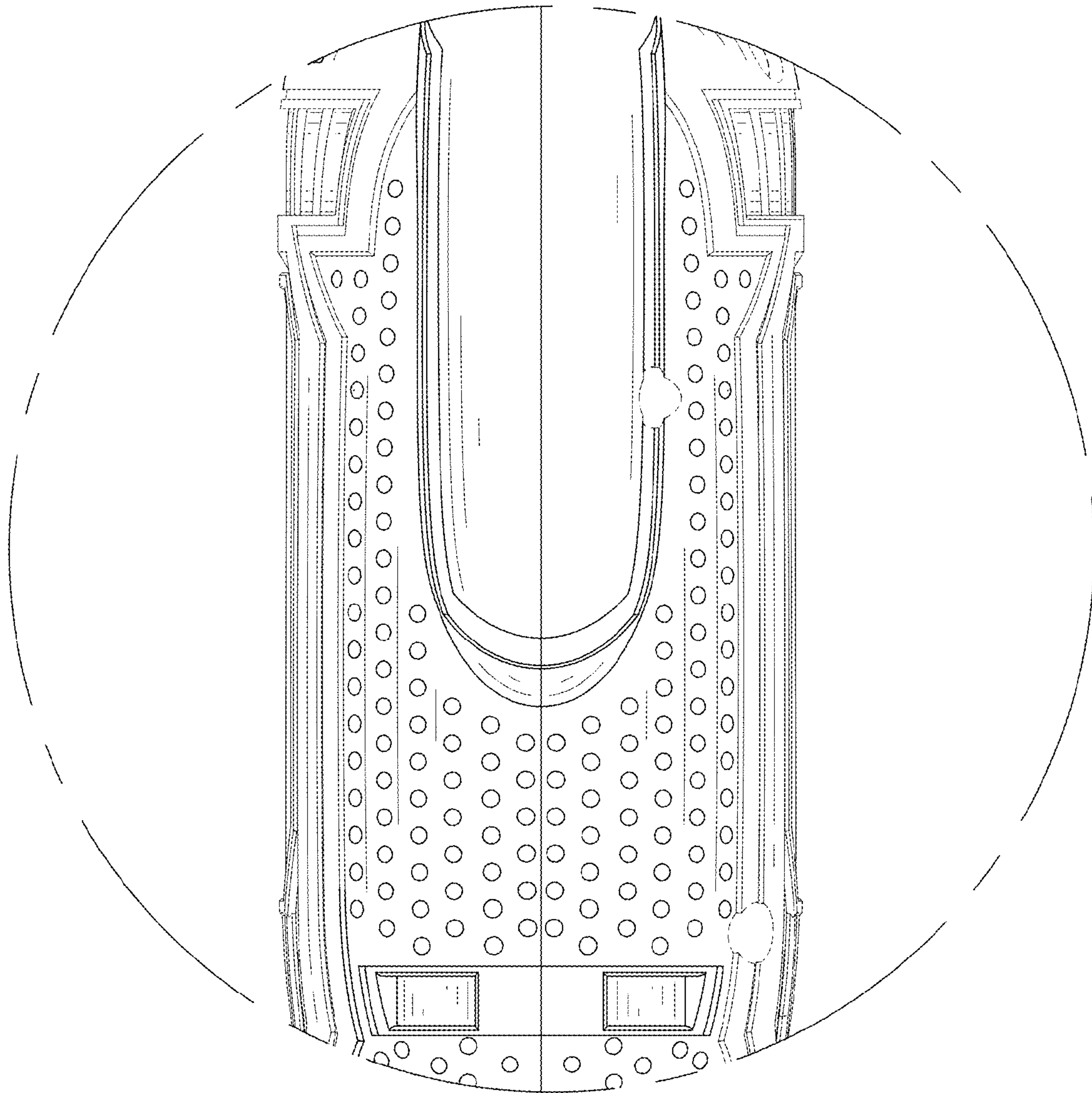


FIG. 17