

US00D875497S

(12) **United States Design Patent** (10) **Patent No.:** **US D875,497 S**
Busschaert et al. (45) **Date of Patent:** **** Feb. 18, 2020**

- (54) **CHAIN SAW**
- (71) Applicant: **BLACK & DECKER INC.**, New Britain, CT (US)
- (72) Inventors: **Jason Busschaert**, Bel Air, MD (US); **Christopher G. Donze**, Towson, MD (US); **Corey Barnett**, Bowie, MD (US); **Trevor Timson**, Baltimore, MD (US)
- (73) Assignee: **Black & Decker, Inc.**, New Britain, CT (US)
- (**) Term: **15 Years**
- (21) Appl. No.: **29/629,194**
- (22) Filed: **Dec. 12, 2017**
- (51) **LOC (12) Cl.** **08-03**
- (52) **U.S. Cl.**
USPC **D8/65**
- (58) **Field of Classification Search**
USPC D8/8, 20, 64, 65; D21/532
CPC . A01G 3/00; A01G 3/06; A01G 3/062; A01G 3/053; B27B 17/00; B27B 17/025; B27B 17/02; B27B 17/0008; B25F 5/026; B25F 5/02; F16D 11/14
See application file for complete search history.

- (56) **References Cited**
U.S. PATENT DOCUMENTS

D302,931 S	*	8/1989	Nakajima	D8/65
D536,590 S	*	2/2007	Busschaert	D8/65
D575,605 S	*	8/2008	Yamamoto	D8/65
D649,845 S	*	12/2011	Yamamoto	D8/9
D650,643 S	*	12/2011	Aoki	D8/8
D741,670 S	*	10/2015	Carl	D8/8

- 9,308,637 B2 * 4/2016 Tsuchiya A01G 3/053
- D767,962 S * 10/2016 Schoch D8/65
- D767,963 S * 10/2016 Baxter D8/65
- D786,030 S * 5/2017 Busschaert D8/8
- D805,869 S * 12/2017 Baxter D8/65
- 2012/0317821 A1 * 12/2012 Tsuchiya B25F 5/02
30/196
- 2014/0047719 A1 * 2/2014 Shimizu A01G 3/053
30/216
- 2015/0375416 A1 * 12/2015 Haneda B27B 17/00
30/383
- 2016/0227711 A1 * 8/2016 Pan B25F 5/026
- 2016/0242365 A1 * 8/2016 Li F16D 11/14
- 2018/0186027 A1 * 7/2018 McRoberts B27B 17/00

* cited by examiner

Primary Examiner — Sandra S Snapp
Assistant Examiner — Ieisha N Price
(74) *Attorney, Agent, or Firm* — John Yun

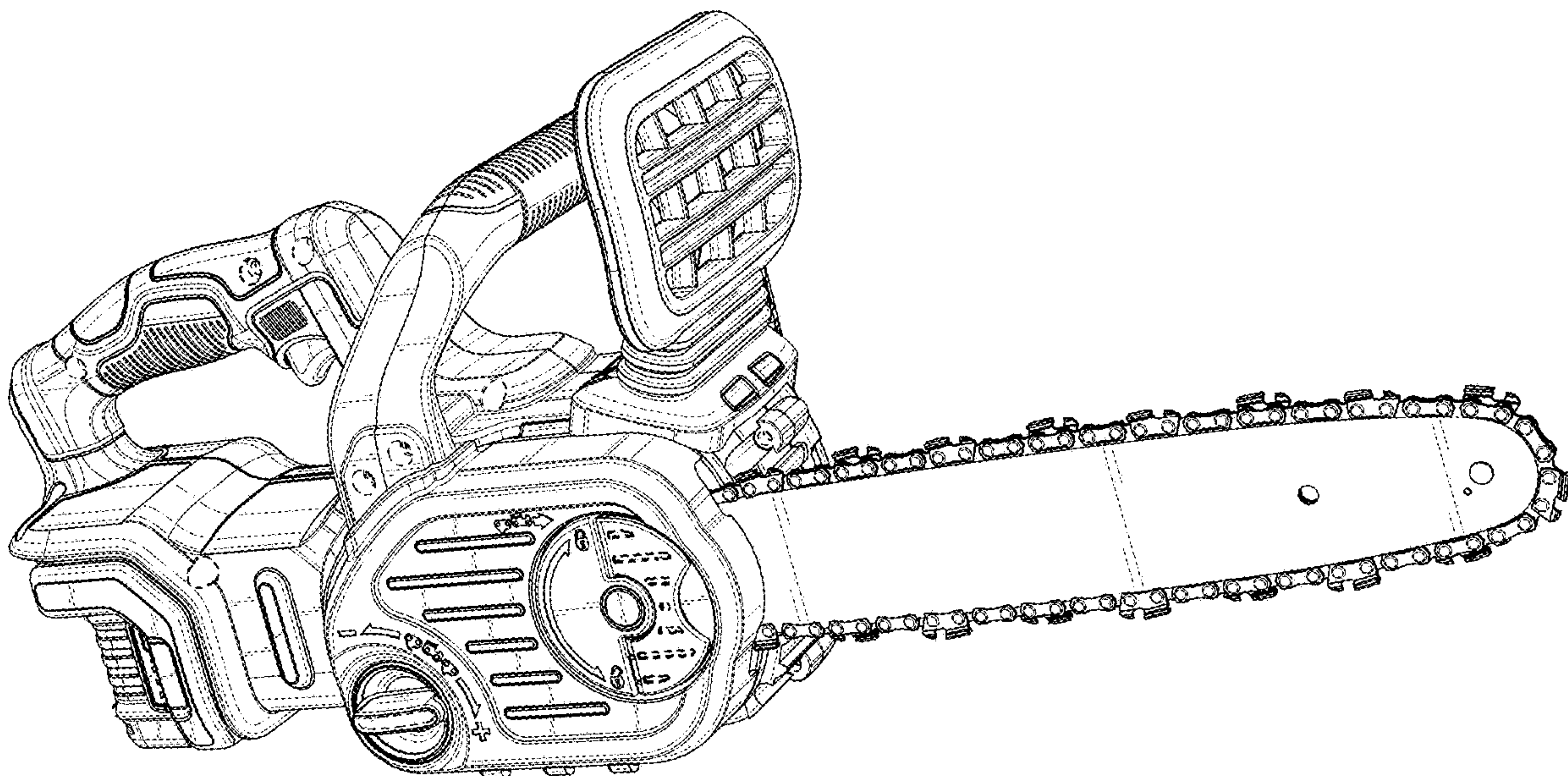
(57) **CLAIM**

The ornamental design for a chain saw, as shown and described.

DESCRIPTION

FIG. 1 is a right perspective view of a chain saw showing our design;
FIG. 2 is a left perspective view of a chain saw showing our design;
FIG. 3 is a front view thereof
FIG. 4 is a rear view thereof;
FIG. 5 is a right side view thereof;
FIG. 6 is a left side view thereof;
FIG. 7 is a top plan view thereof; and,
FIG. 8 is a bottom plan view thereof.
The broken lines in the drawings illustrate portions of the chain saw and form no part of the claimed design.

1 Claim, 8 Drawing Sheets



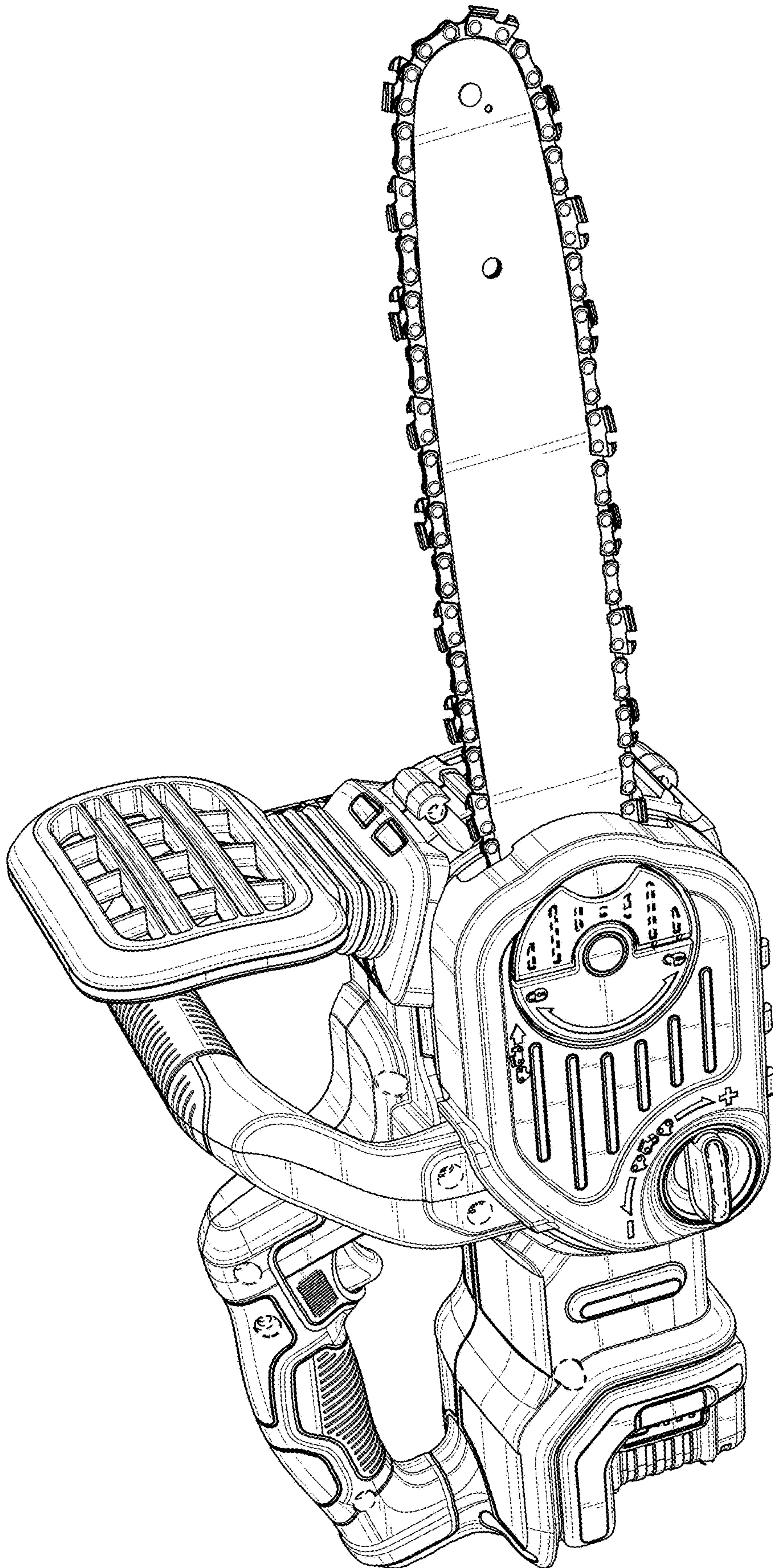


FIG. 1

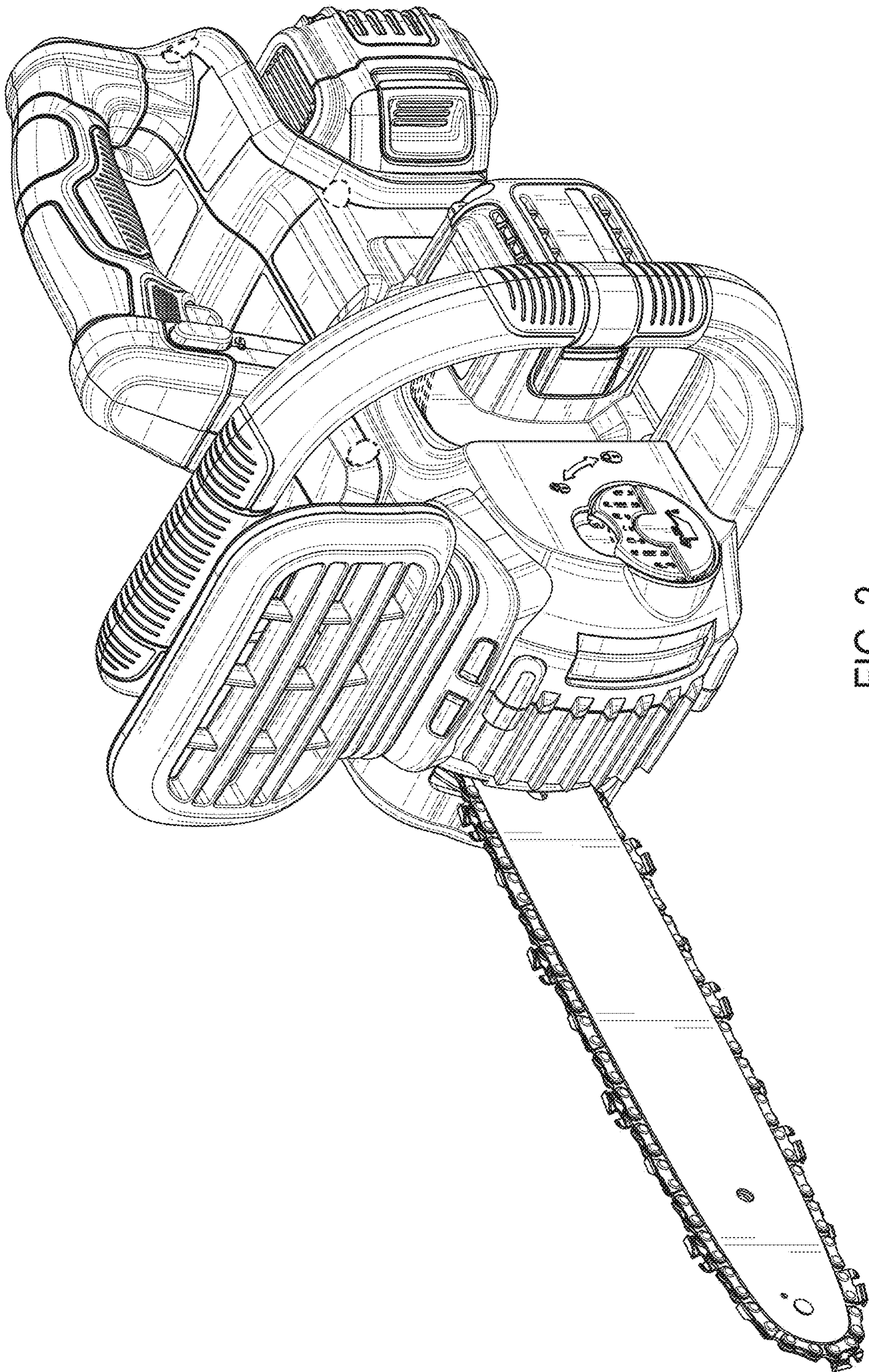


FIG. 2

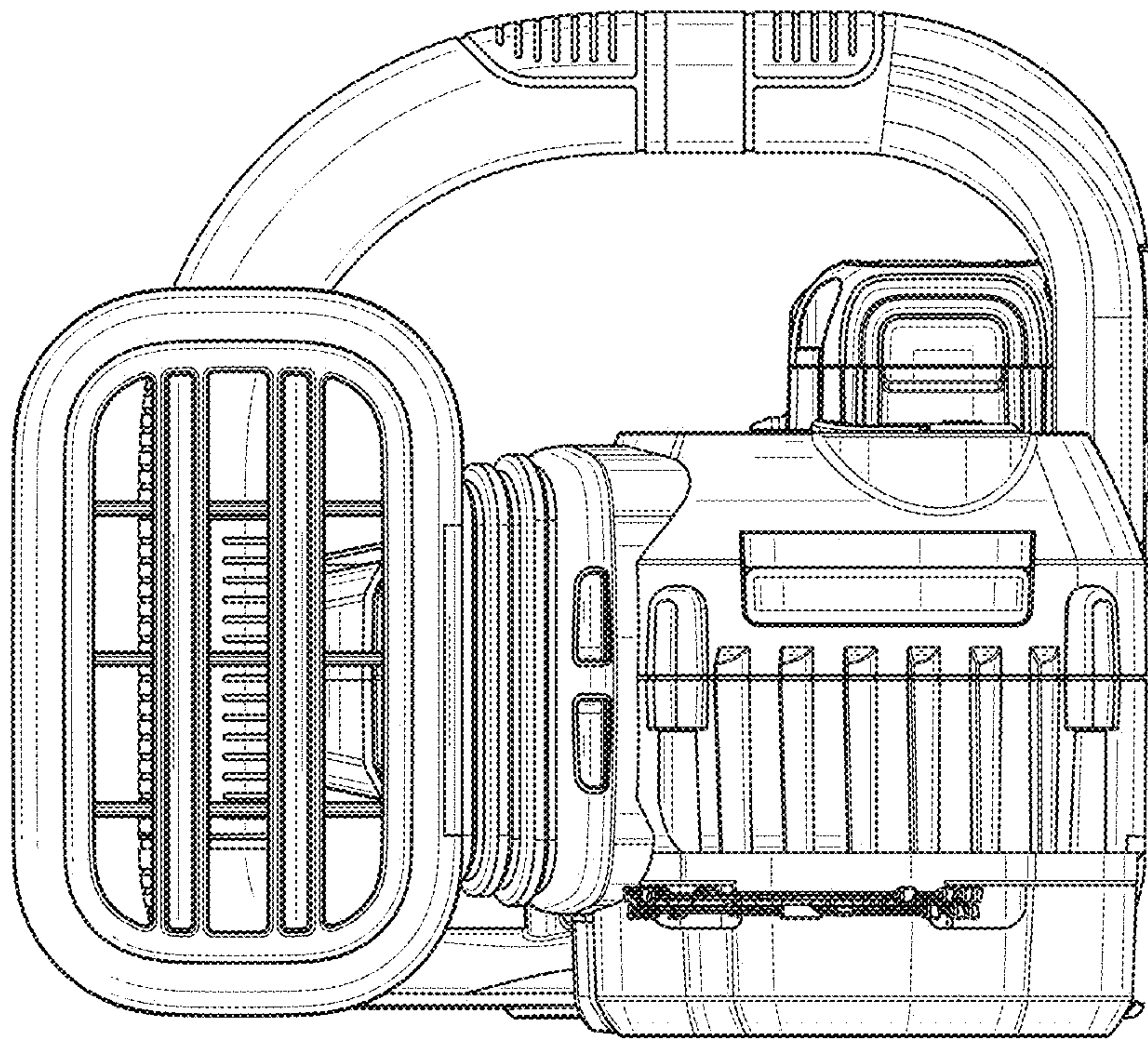


FIG. 3

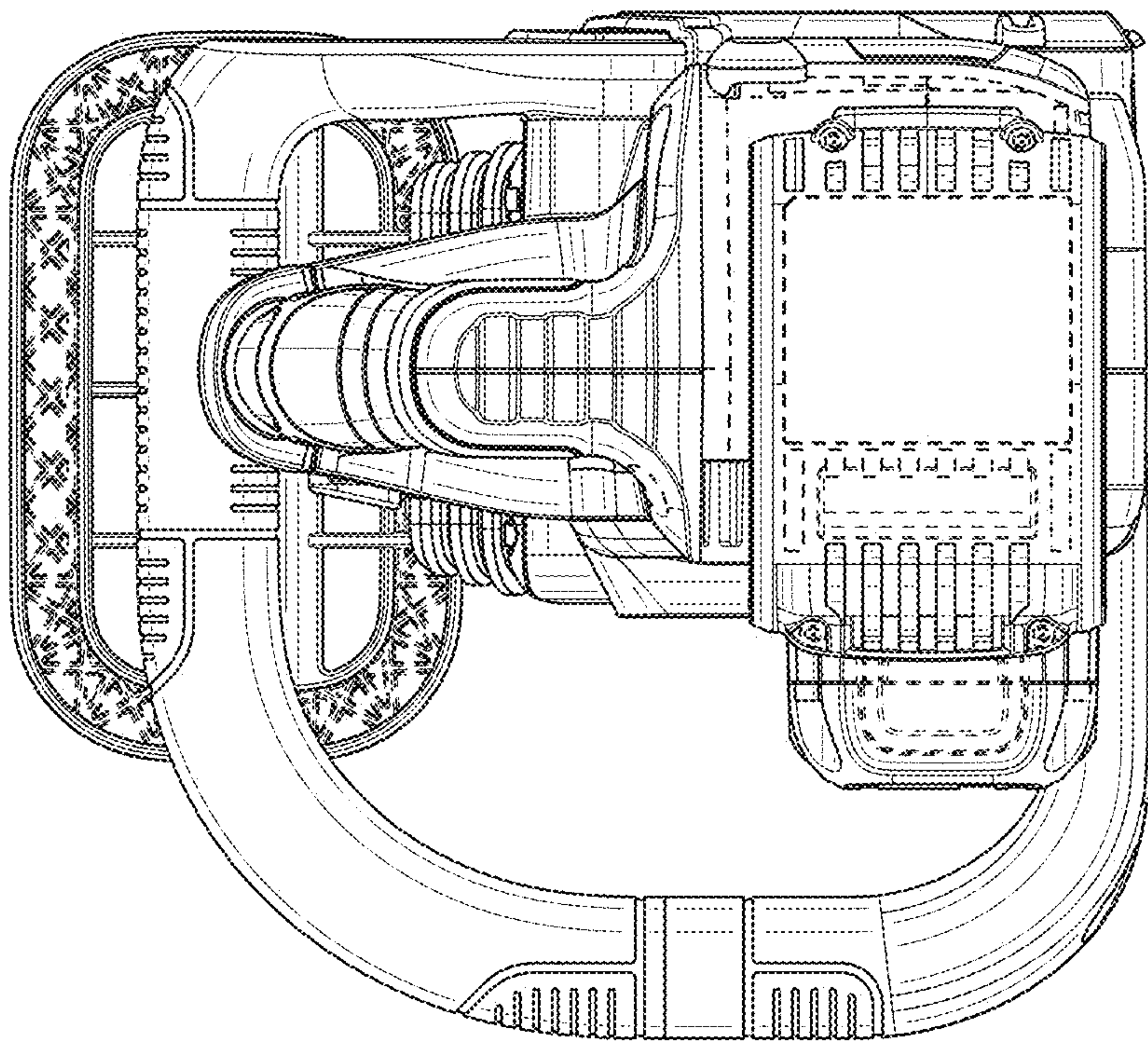


FIG. 4

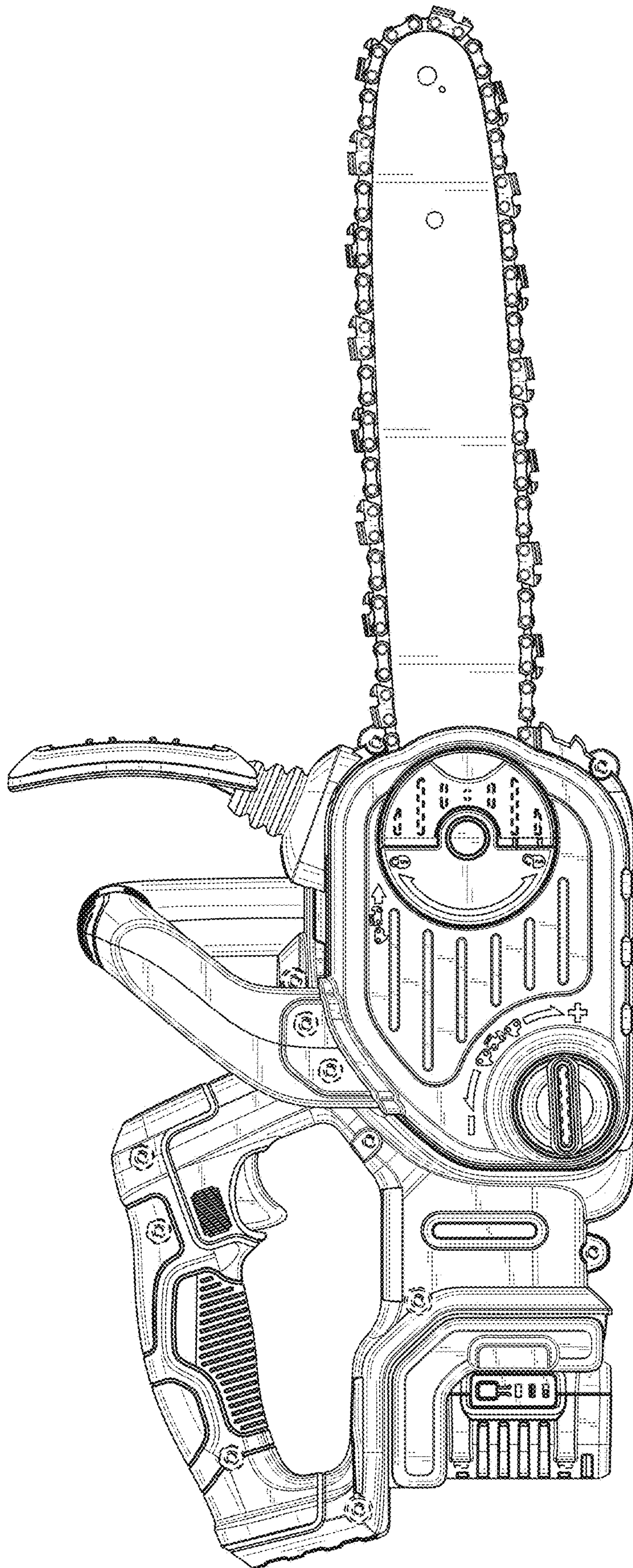


FIG. 5

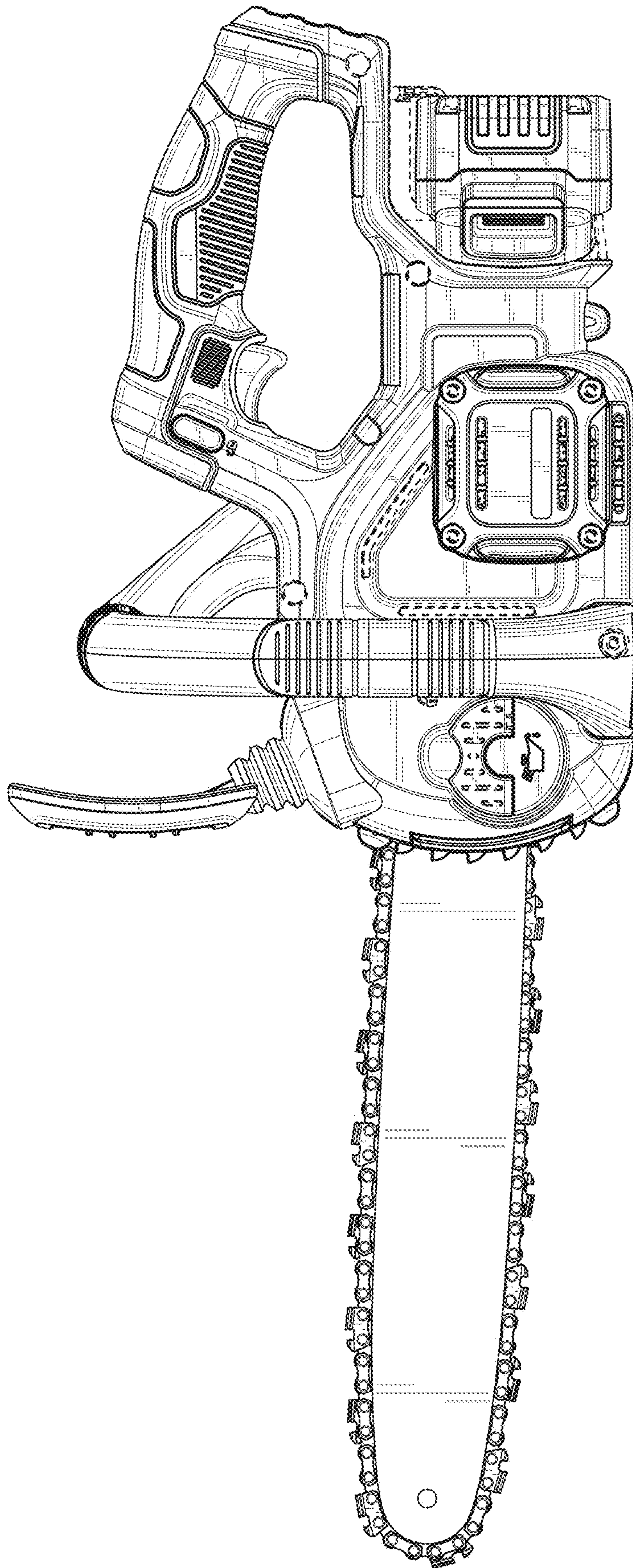


FIG. 6

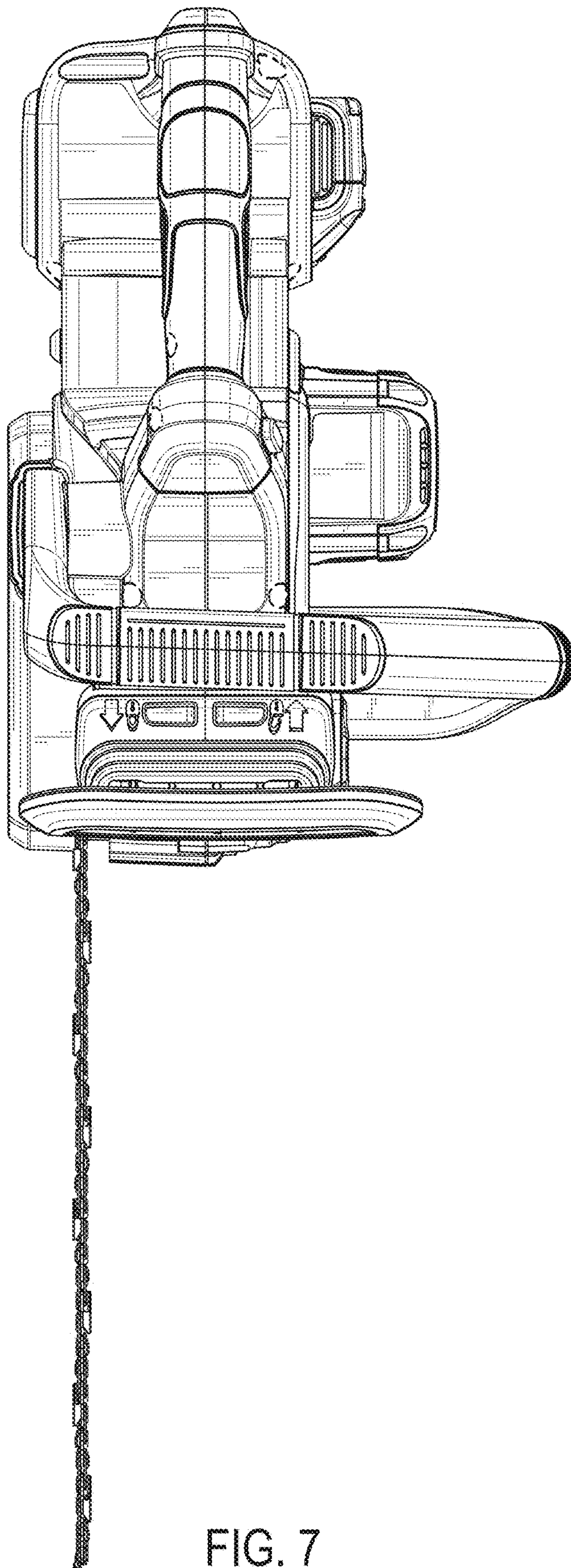


FIG. 7

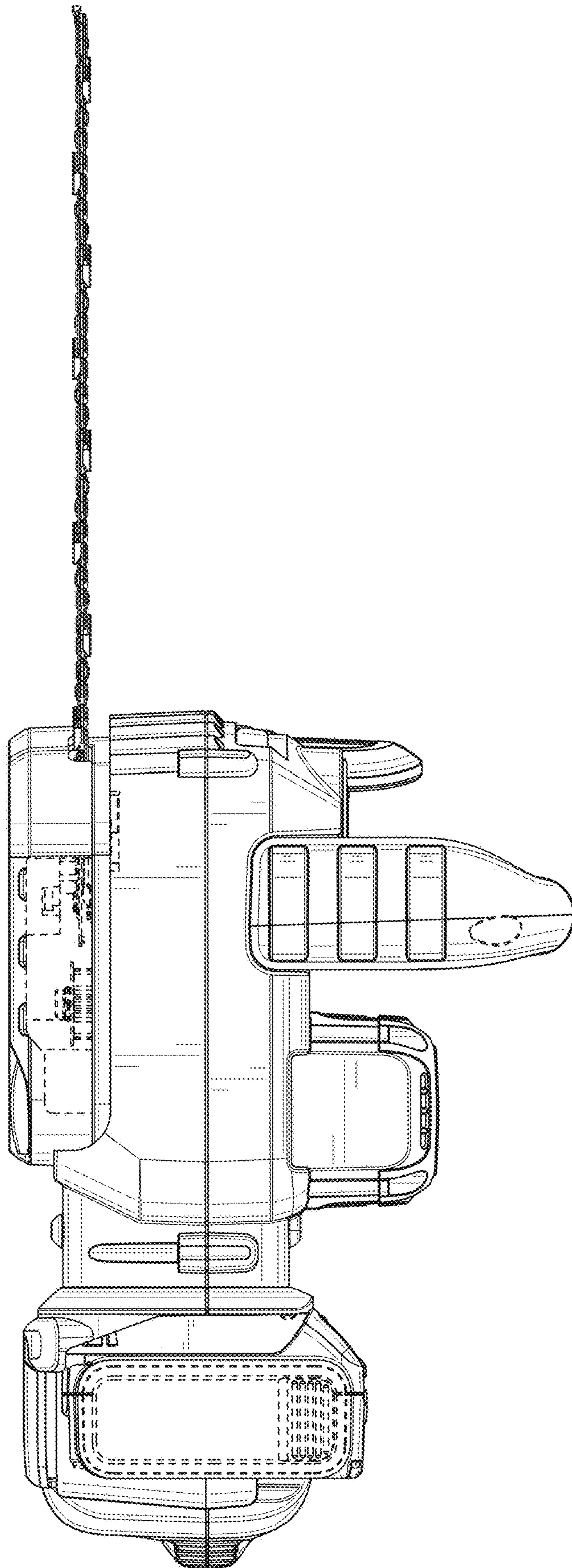


FIG. 8