



US00D875496S

(12) **United States Design Patent**
Li

(10) **Patent No.:** **US D875,496 S**

(45) **Date of Patent:** **** Feb. 18, 2020**

(54) **SHARPENER**

(71) Applicant: **Sheng-Cheng Li**, Taichung (TW)

(72) Inventor: **Sheng-Cheng Li**, Taichung (TW)

(**) Term: **15 Years**

(21) Appl. No.: **29/643,057**

(22) Filed: **Apr. 4, 2018**

(51) **LOC (12) Cl.** **08-05**

(52) **U.S. Cl.**
USPC **D8/63**

(58) **Field of Classification Search**
USPC D8/63, 90, 91, 92, 93
CPC B24B 3/54; B24B 3/36; B24B 3/58; B24B
3/00; B24B 23/08; B24B 15/00; B24B
15/06; B24B 15/063; B24B 15/08
See application file for complete search history.

(56) **References Cited**

U.S. PATENT DOCUMENTS

D303,209 S *	9/1989	Friel	D8/93
D328,410 S *	8/1992	Friel	D8/63
5,611,726 A *	3/1997	Friel	B24B 3/54 451/177
D409,891 S *	5/1999	Friel	D8/63
6,802,763 B1 *	10/2004	Leung	B24B 49/16 451/193
6,932,683 B2 *	8/2005	Li	B24B 3/54 451/193
D542,616 S *	5/2007	Elek	D8/63
D543,430 S *	5/2007	Barr	D8/63

D562,284 S *	2/2008	Kwon	D14/138 AA
D576,611 S *	9/2008	Wilson	D14/225
D620,332 S *	7/2010	Elek	D8/63
D632,153 S *	2/2011	Walker	D8/93
D651,887 S *	1/2012	Elek	D8/93
D680,399 S *	4/2013	Elek	D8/63
D688,545 S *	8/2013	Jensen	D8/63
D699,534 S *	2/2014	Elek	D8/63
D705,625 S *	5/2014	Huber	D8/63
D721,937 S *	2/2015	Elek	D8/63
9,440,325 B2 *	9/2016	Smith	B24B 3/40
D803,648 S *	11/2017	Elek	D8/63
2003/0236061 A1 *	12/2003	Li	B24B 3/54 451/193

* cited by examiner

Primary Examiner — Philip S Hyder

(74) *Attorney, Agent, or Firm* — Charles E. Baxley

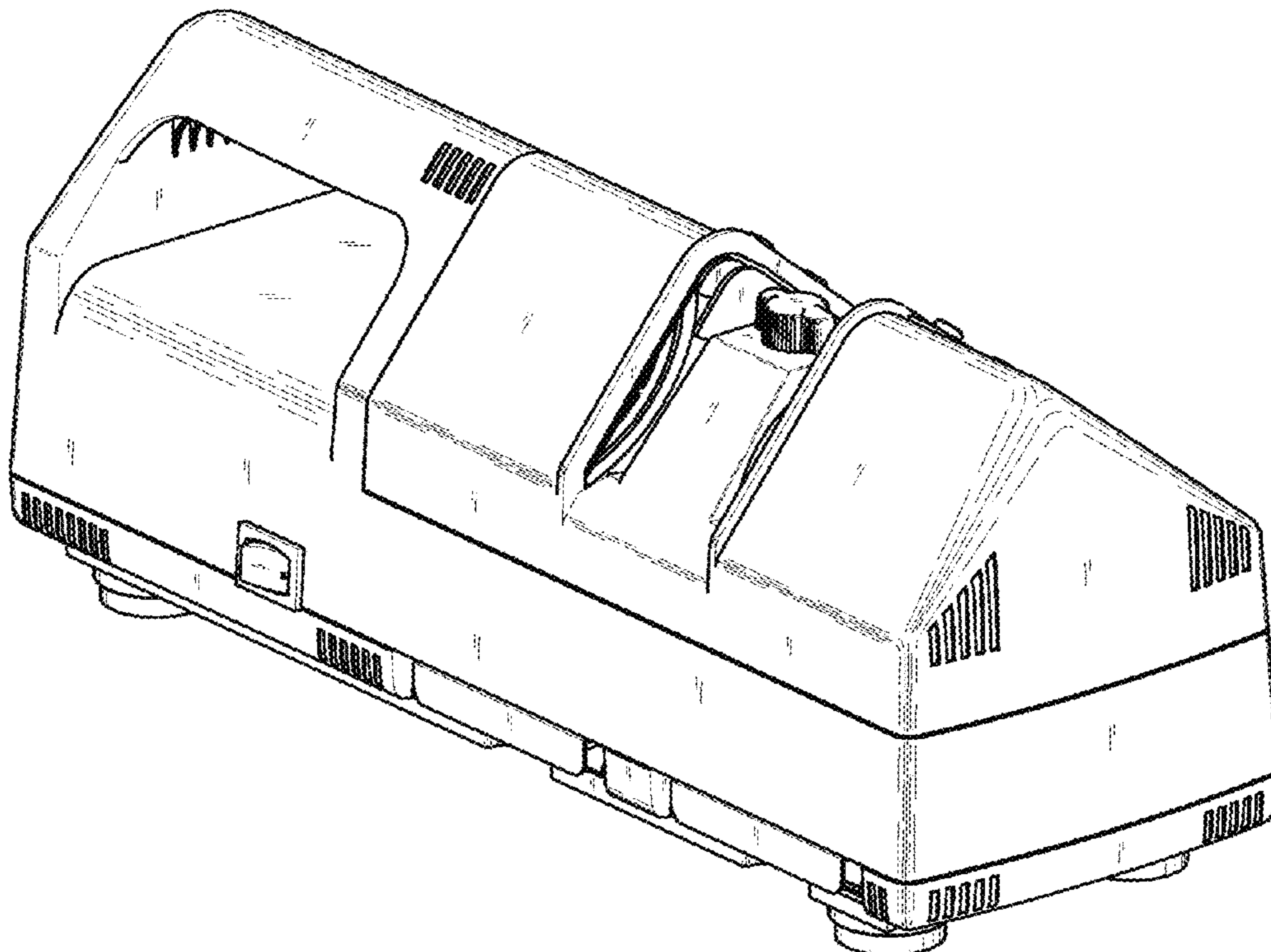
(57) **CLAIM**

The ornamental design for a sharpener, as shown and described.

DESCRIPTION

FIG. 1 is a perspective view of the sharpener showing my new design;
FIG. 2 is a front elevational view thereof;
FIG. 3 is a rear elevational view thereof;
FIG. 4 is a left side elevational view thereof;
FIG. 5 is a right side elevational view thereof;
FIG. 6 is a top plan view thereof; and,
FIG. 7 is a bottom plan view thereof.
The broken lines depict portions of the sharpener in which the design is embodied that are not considered part of the claimed design.

1 Claim, 7 Drawing Sheets



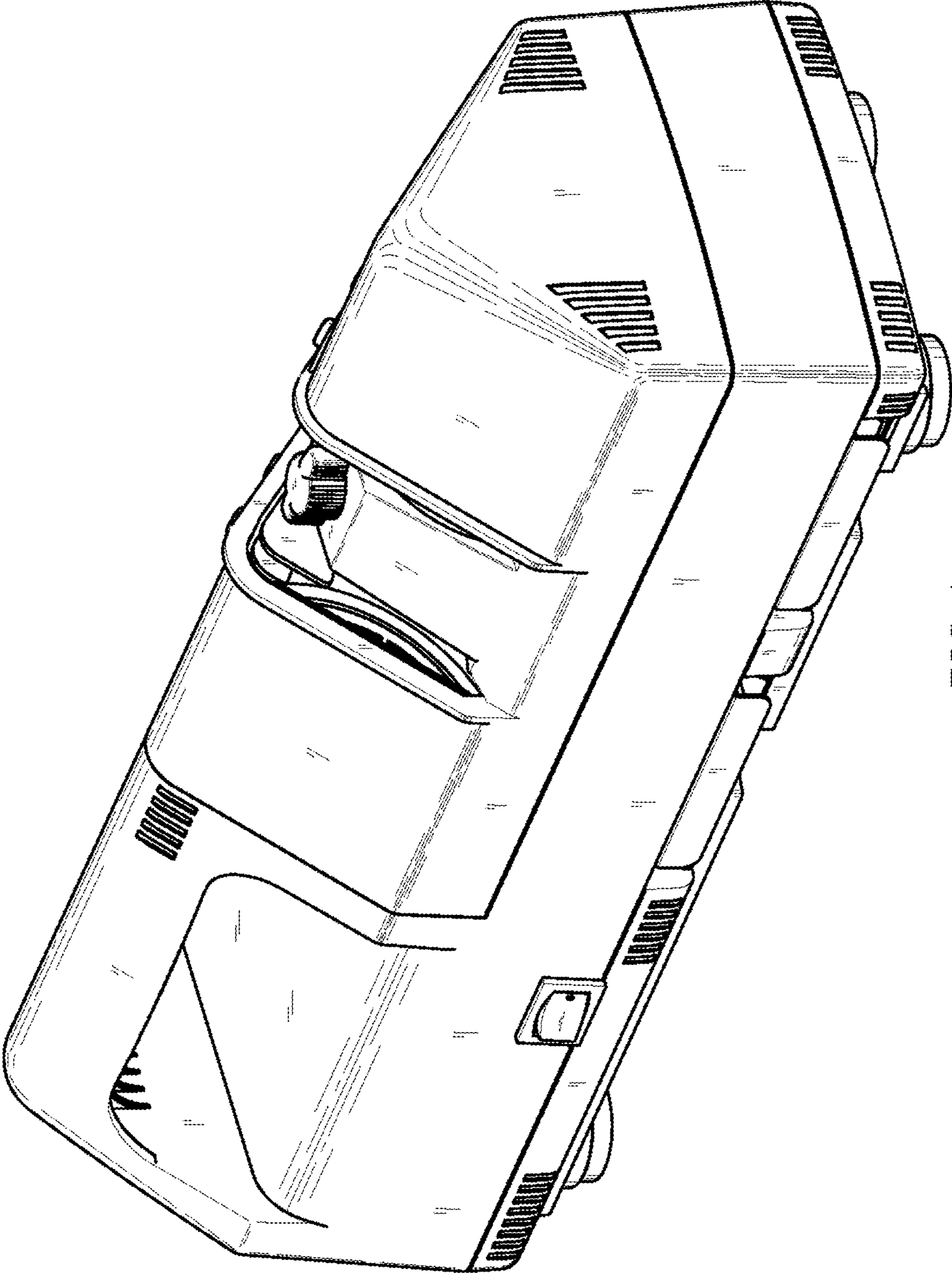


FIG. 1

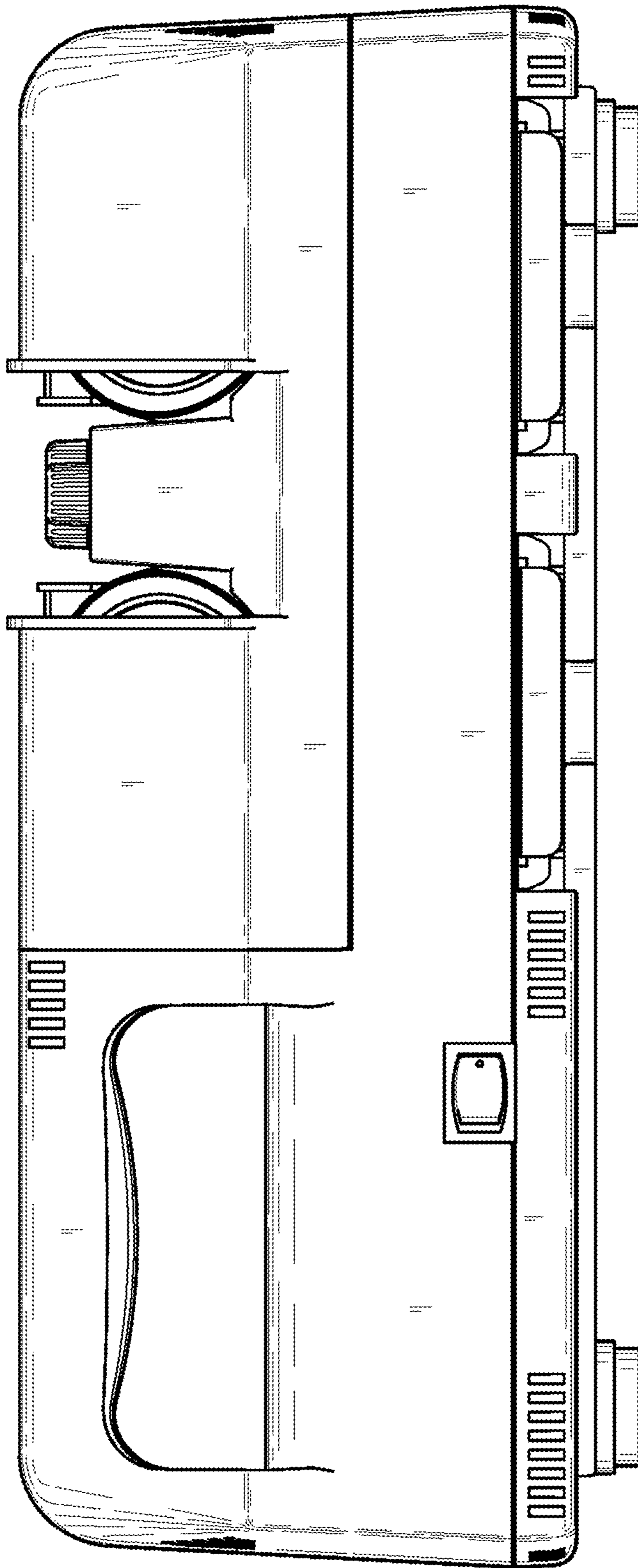


FIG. 2

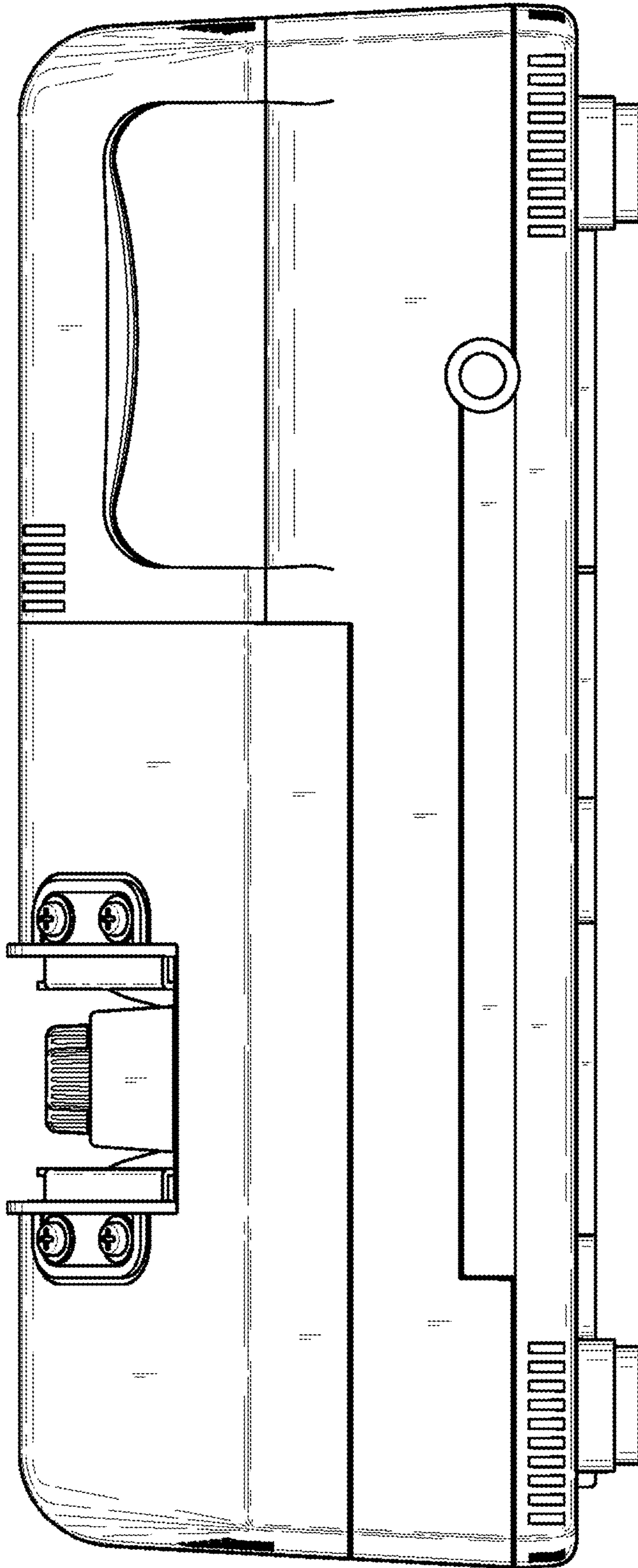


FIG. 3

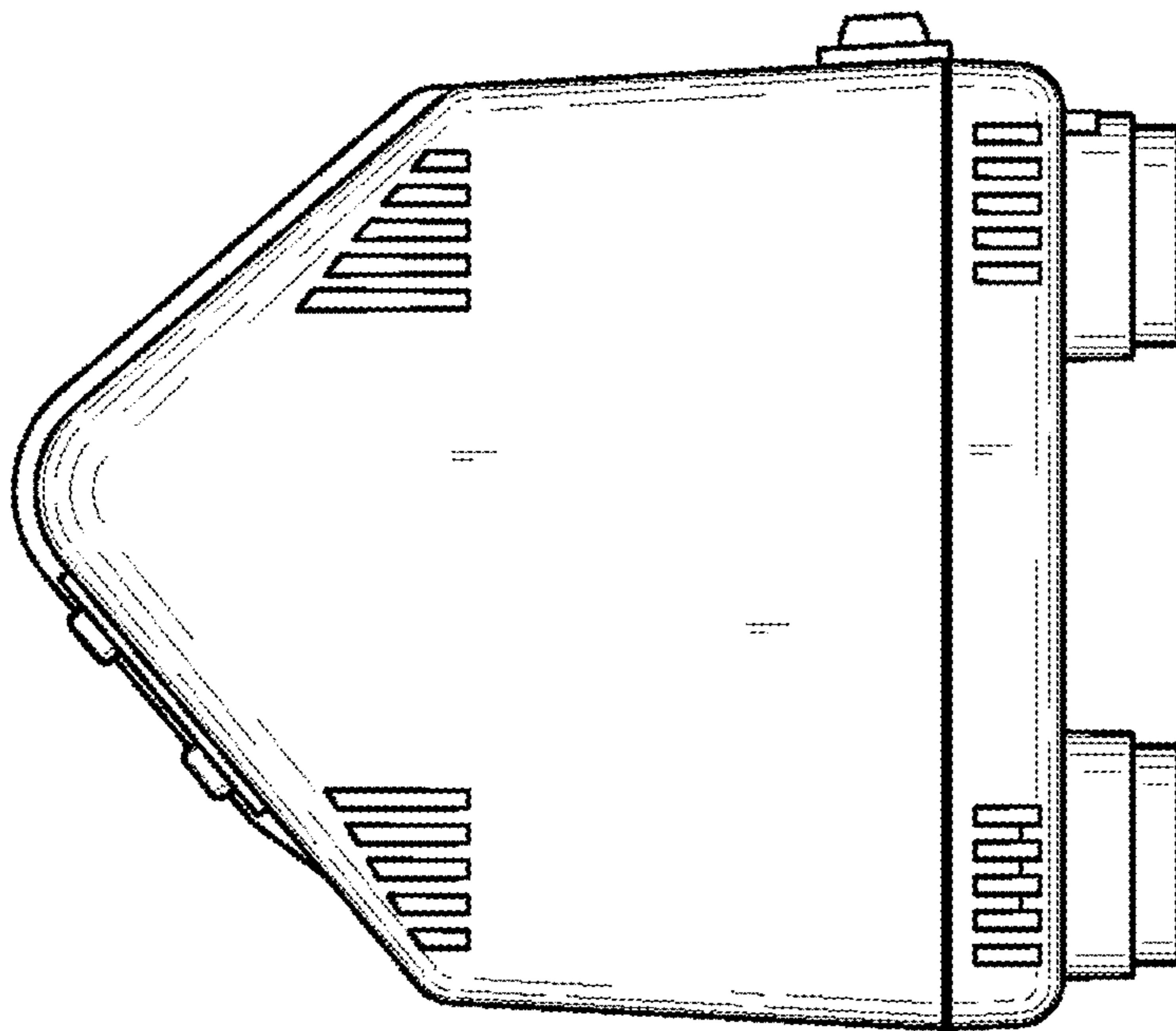


FIG. 4

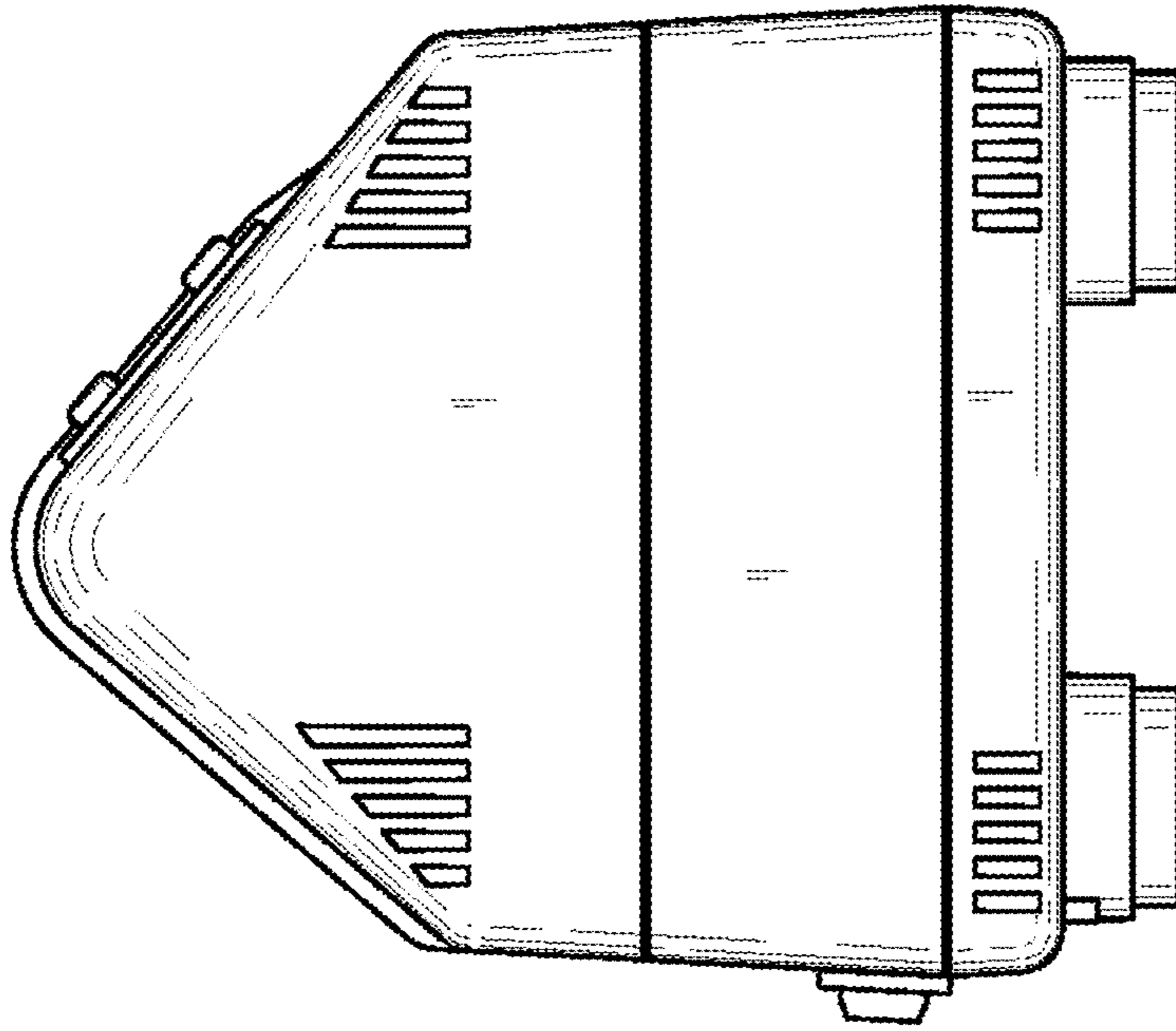


FIG. 5

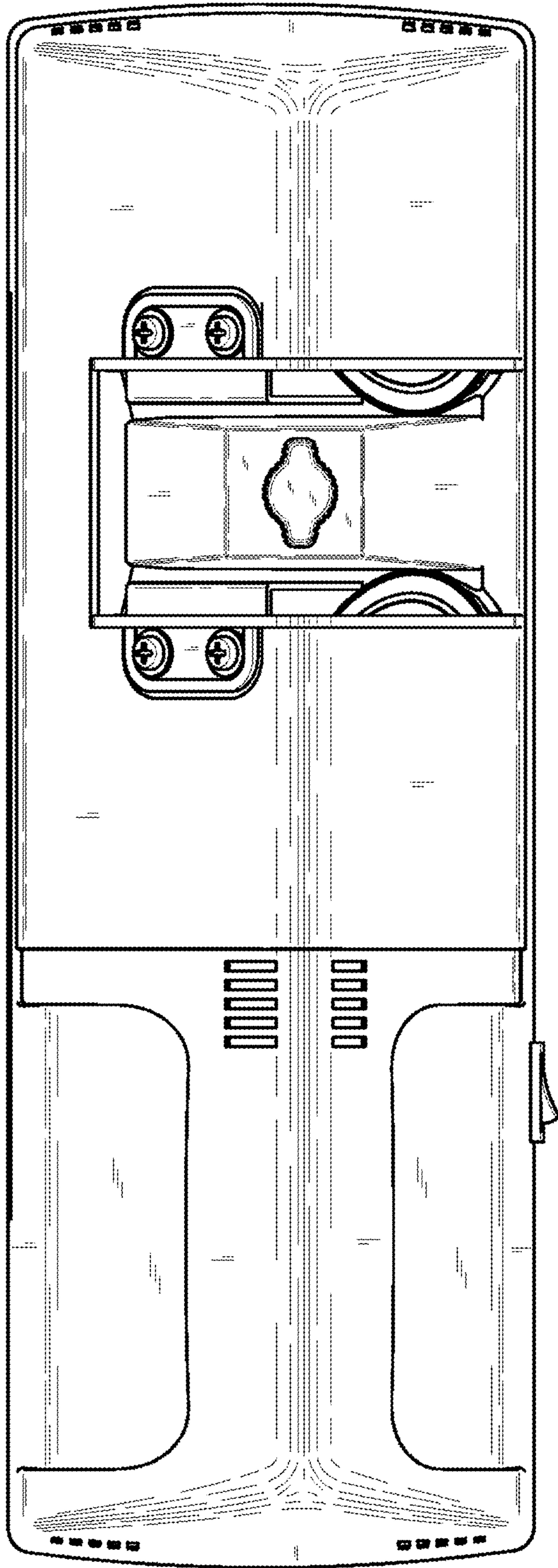


FIG. 6

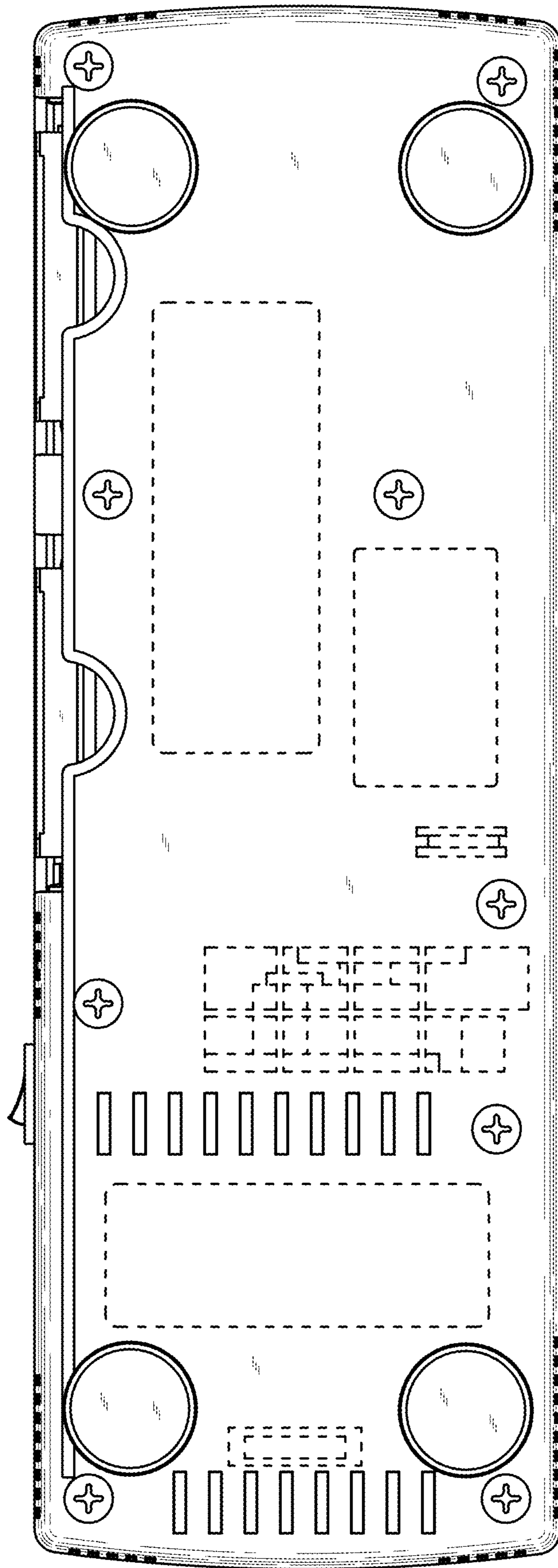


FIG. 7