

US00D875495S

(12) **United States Design Patent**
Chen et al.

(10) **Patent No.:** **US D875,495 S**

(45) **Date of Patent:** **** Feb. 18, 2020**

(54) **SANDER**

(71) Applicant: **Shenzhen Aukey E-Business Co., Ltd.**,
Shenzhen (CN)

(72) Inventors: **Peihong Chen**, Shenzhen (CN); **Lixing Du**, Shenzhen (CN)

(**) Term: **15 Years**

(21) Appl. No.: **29/674,588**

(22) Filed: **Dec. 21, 2018**

(51) **LOC (12) Cl.** **08-03**

(52) **U.S. Cl.**
USPC **D8/62**

(58) **Field of Classification Search**

USPC D8/69, 68, 67, 66, 64, 61, 70; 83/698.41,
83/747, 166.3, 374, 373, 375, 376, 391,
83/377, 390, 388, 389; 125/13.01;
144/218; D21/532

CPC B24B 23/028; B24B 47/12; B24B 7/186;
B25F 5/001; B25F 5/02

See application file for complete search history.

(56) **References Cited**

U.S. PATENT DOCUMENTS

D509,417 S * 9/2005 Wikle D8/62
D528,386 S * 9/2006 Wu D8/62

D528,886 S * 9/2006 Heun D8/62
D558,017 S * 12/2007 Cooper D8/62
D585,258 S * 1/2009 Nojiri D8/62
D636,243 S * 4/2011 Liu D8/62
D664,411 S * 7/2012 Aglassinger D8/62
D666,071 S * 8/2012 Aglassinger D8/62
D679,159 S * 4/2013 Waldron D8/62
9,061,393 B2 * 6/2015 Sugita B24B 23/03
D831,458 S * 10/2018 Itoh D8/62

* cited by examiner

Primary Examiner — Austin Murphy

(74) *Attorney, Agent, or Firm* — Yanling Jiang

(57) **CLAIM**

The ornamental design for sander, as shown and described.

DESCRIPTION

FIG. 1 is a top right perspective view showing sander, showing our new design;

FIG. 2 is a front elevation view thereof;

FIG. 3 is a rear elevation view thereof;

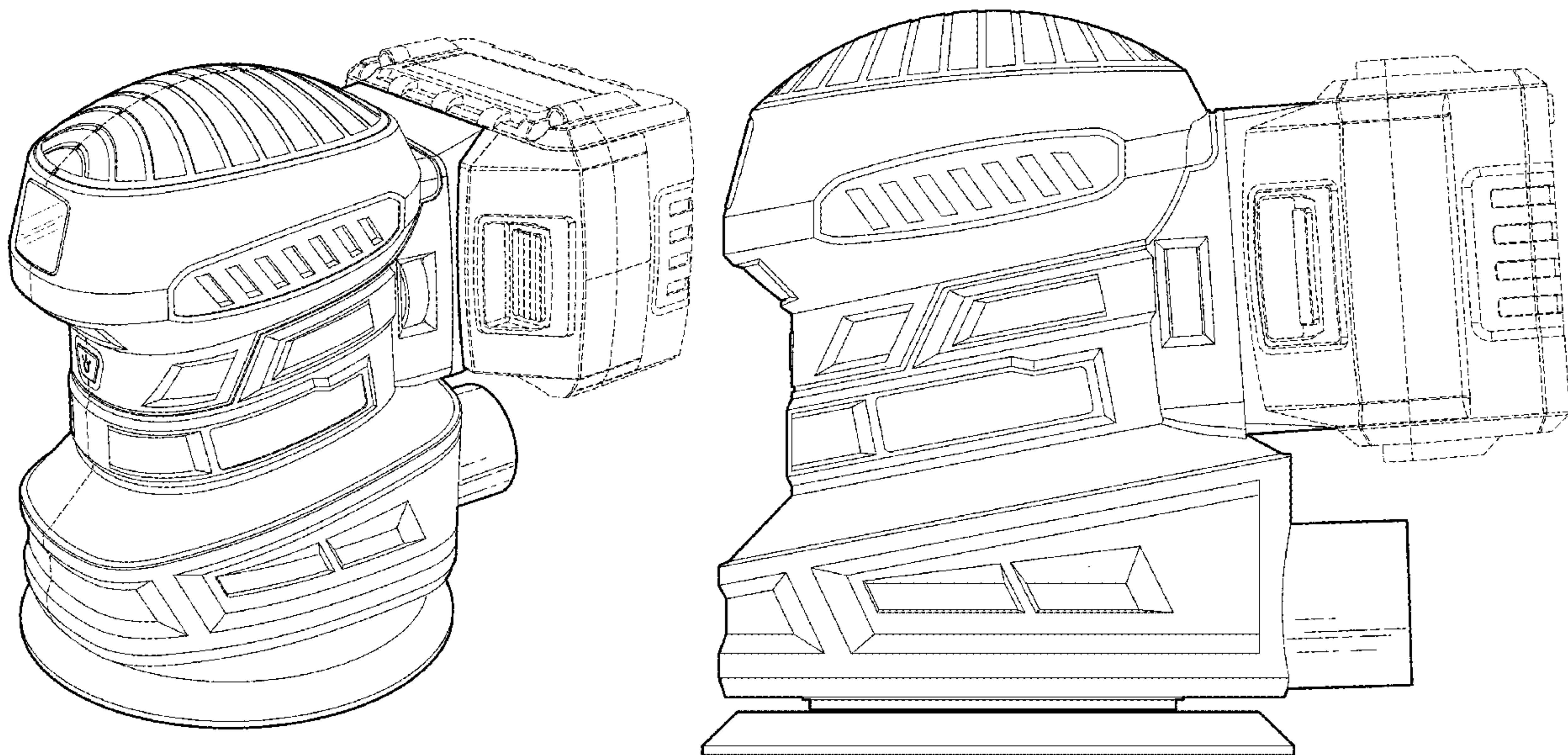
FIG. 4 is a top plan view thereof;

FIG. 5 is a bottom plan view thereof;

FIG. 6 is a side view thereof; and,

FIG. 7 is an opposite side view thereof.

1 Claim, 7 Drawing Sheets



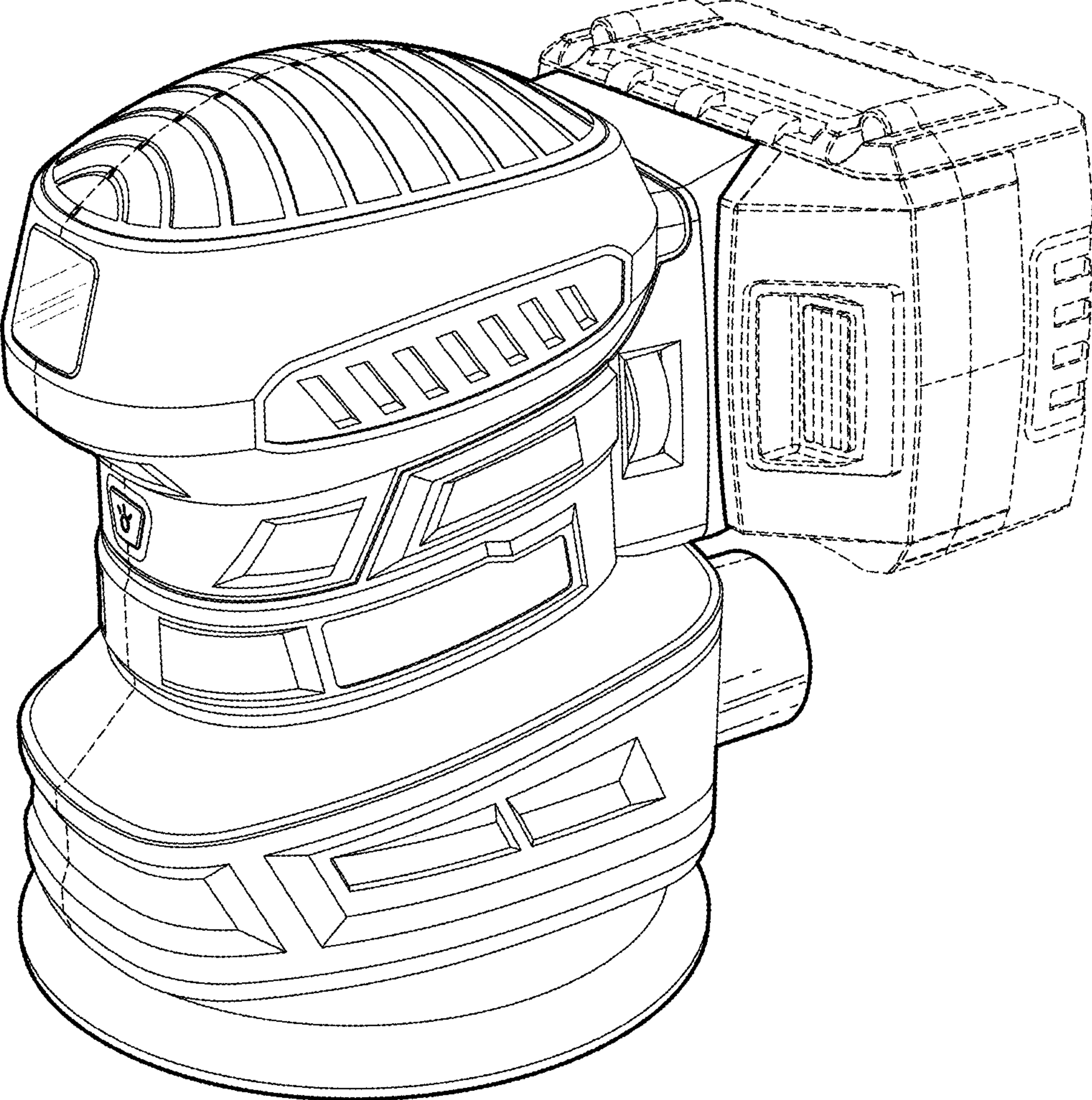


Fig. 1

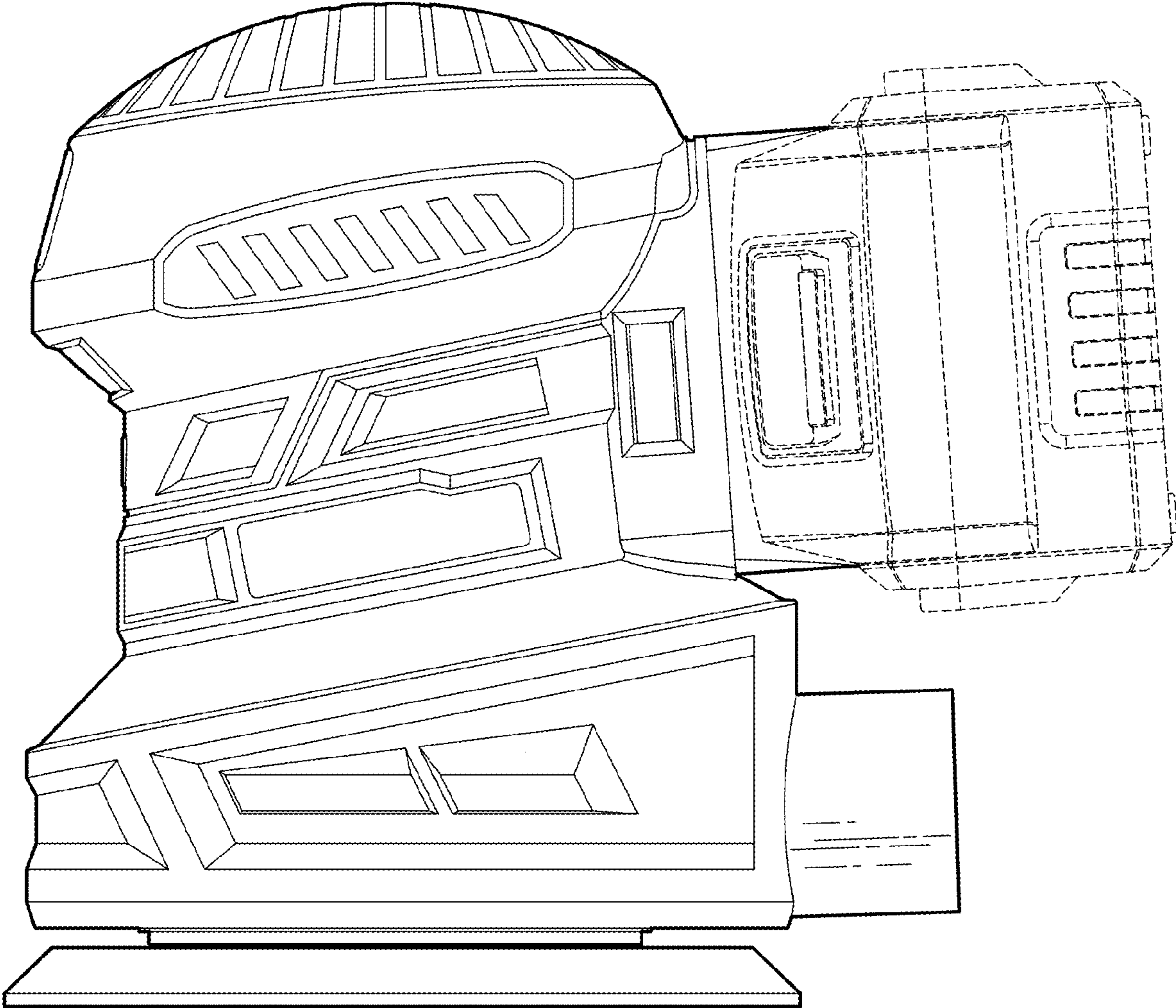


Fig. 2

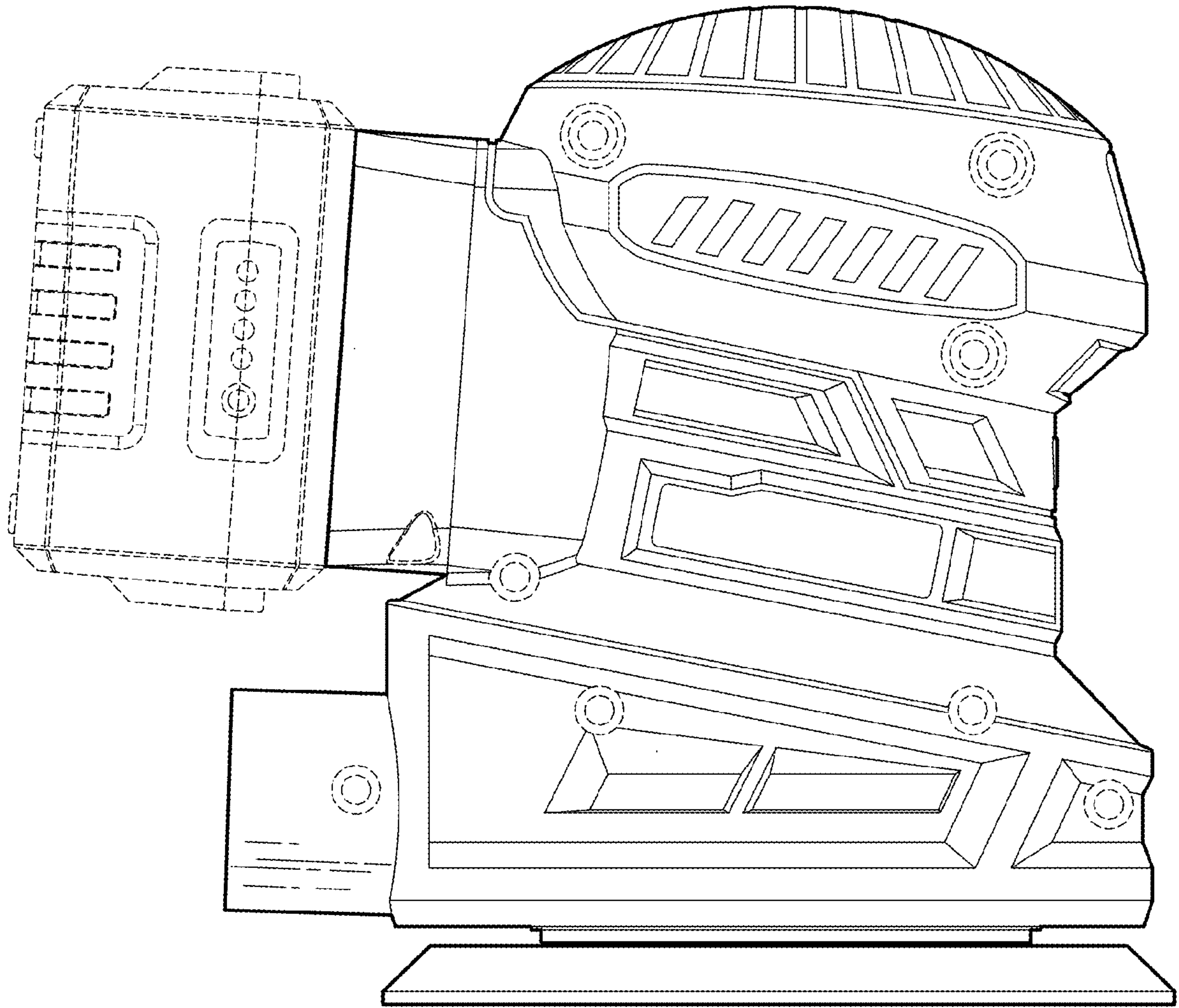


Fig. 3

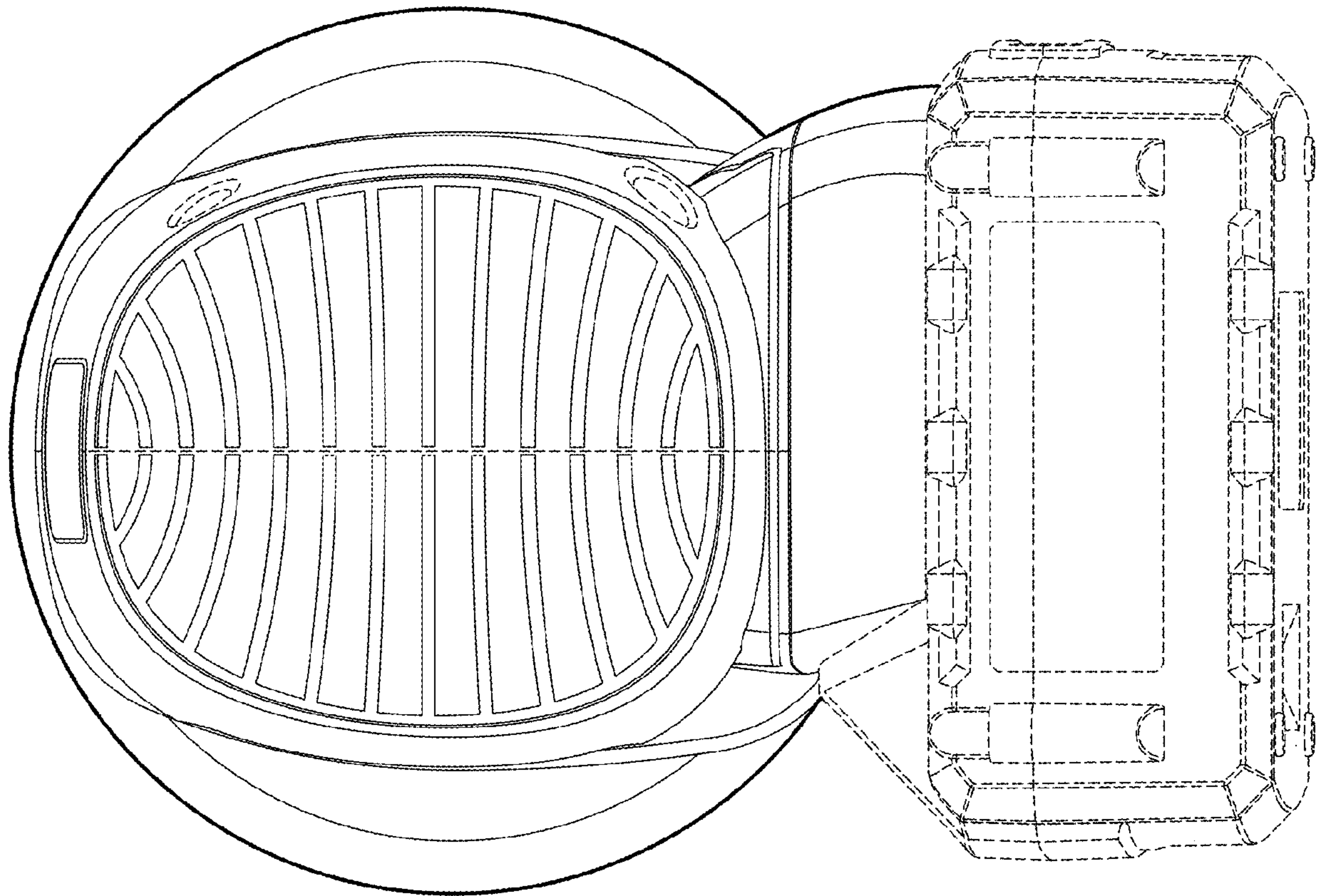


Fig. 4

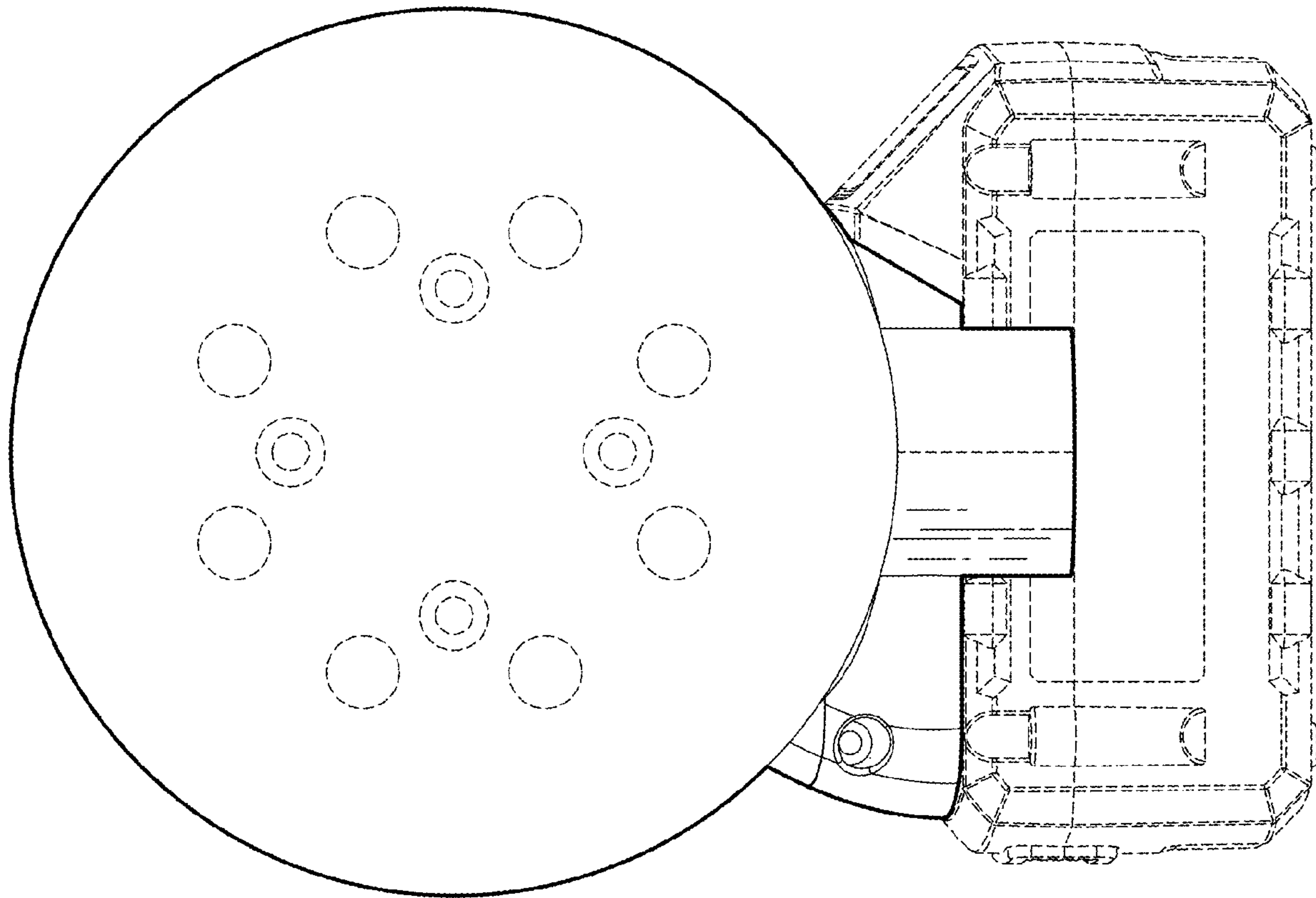


Fig. 5

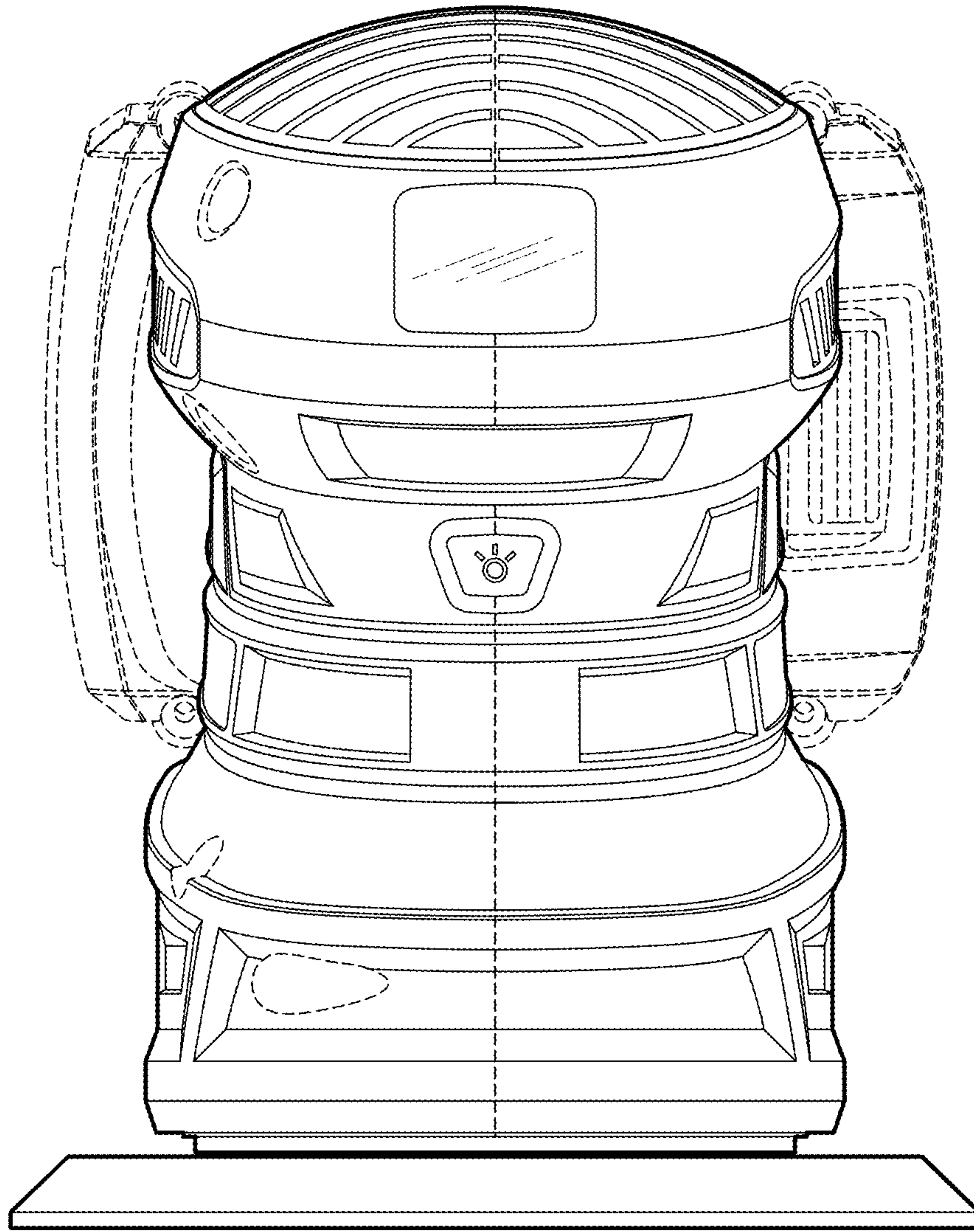


Fig. 6

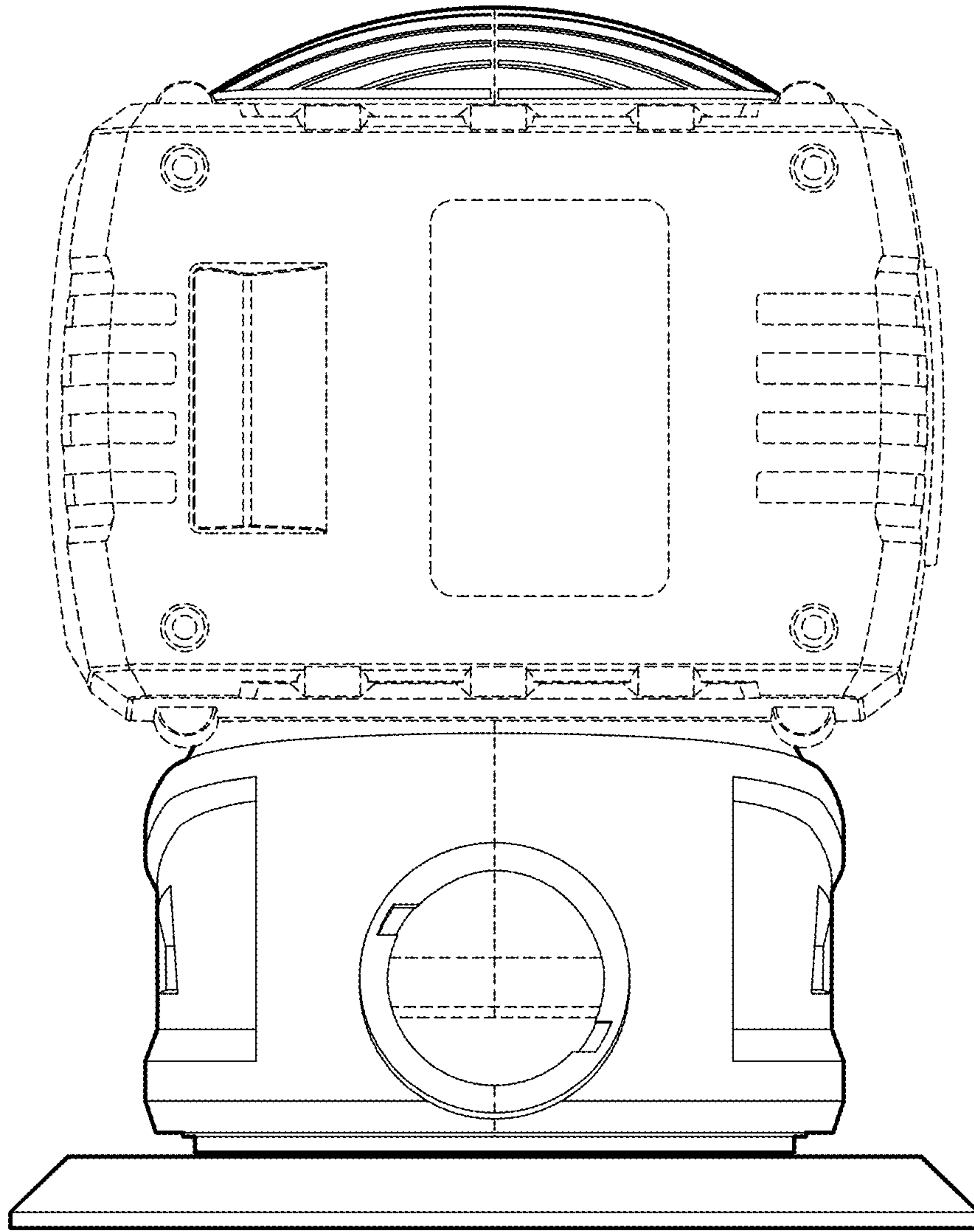


Fig. 7