



US00D875494S

(12) **United States Design Patent**
Widner et al.

(10) **Patent No.:** **US D875,494 S**
(45) **Date of Patent:** **** Feb. 18, 2020**

- (54) **FAUCET CARTRIDGE REMOVAL TOOL**
- (71) Applicant: **J & M Tool Design, LLC**, Bradenton, FL (US)
- (72) Inventors: **Wayne Widner**, Bradenton, FL (US);
Randy Folk, Bradenton, FL (US)
- (73) Assignee: **J & M TOOL DESIGN, LLC**,
Bradenton, FL (US)
- (**) Term: **15 Years**
- (21) Appl. No.: **29/662,167**
- (22) Filed: **Sep. 4, 2018**
- (51) **LOC (12) Cl.** **08-05**
- (52) **U.S. Cl.**
USPC **D8/51; D8/14**
- (58) **Field of Classification Search**
USPC D8/14, 51
CPC B25B 27/24; B25B 27/02; B25B 27/023;
Y10T 29/53687; Y10T 29/53596; Y10T
29/53952; Y10T 29/53883
See application file for complete search history.

(56) **References Cited**

U.S. PATENT DOCUMENTS

- 4,009,515 A * 3/1977 Racin B25B 27/023
29/265
- 4,079,494 A * 3/1978 Sutton B25B 27/02
137/327
- 5,054,179 A * 10/1991 Rini B25B 13/48
29/213.1
- 5,119,556 A * 6/1992 Hseu B25B 27/023
269/8

- 5,519,929 A * 5/1996 Bleckman B25B 27/023
29/264
- 6,929,024 B1 * 8/2005 Rucker B25B 27/062
137/315.41
- 7,832,071 B2 * 11/2010 Klann B25B 27/0035
29/214
- 7,987,571 B2 * 8/2011 English B25B 27/062
29/256
- 8,925,167 B1 * 1/2015 Miller B25B 27/023
254/20
- 2003/0188410 A1 * 10/2003 English B25B 27/023
29/263
- 2018/0133876 A1 * 5/2018 Wilson B25B 27/06

* cited by examiner

Primary Examiner — Philip S Hyder

(74) *Attorney, Agent, or Firm* — Shumaker, Loop & Kendrick, LLP

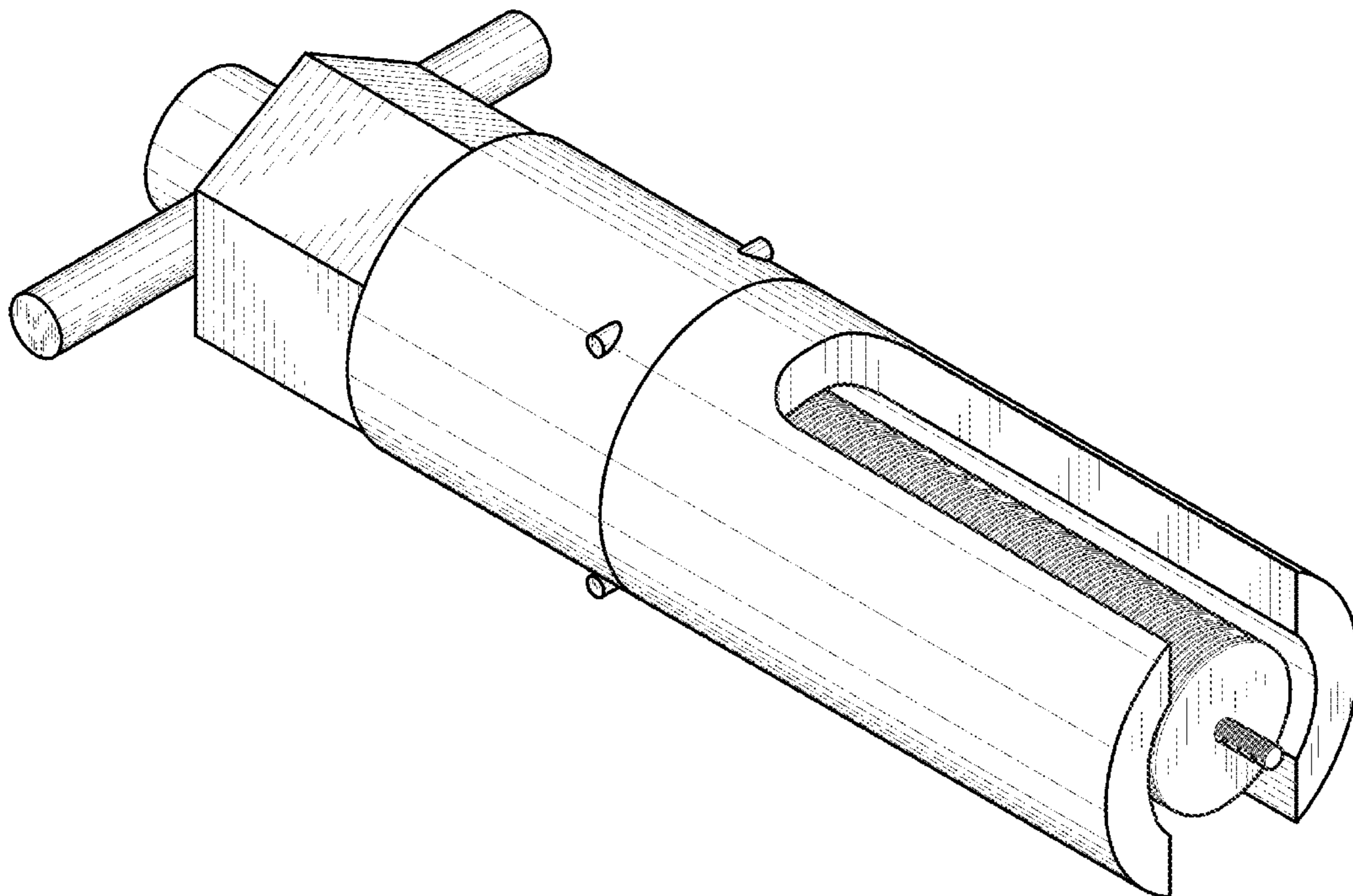
(57) **CLAIM**

The ornamental design for a faucet cartridge removal tool, as shown and described.

DESCRIPTION

FIG. 1 is a first perspective view of the new design for the faucet cartridge removal tool;
 FIG. 2 is a second perspective view thereof;
 FIG. 3 is a first side view thereof showing an arcuate groove formed in a cylindrical shaft, with the opposite side being a mirror image thereof;
 FIG. 4 is a second side view thereof showing a solid cylindrical shaft; with the opposite side being a mirror image thereof;
 FIG. 5 is a bottom view thereof; and,
 FIG. 6 is a top view thereof.

1 Claim, 4 Drawing Sheets



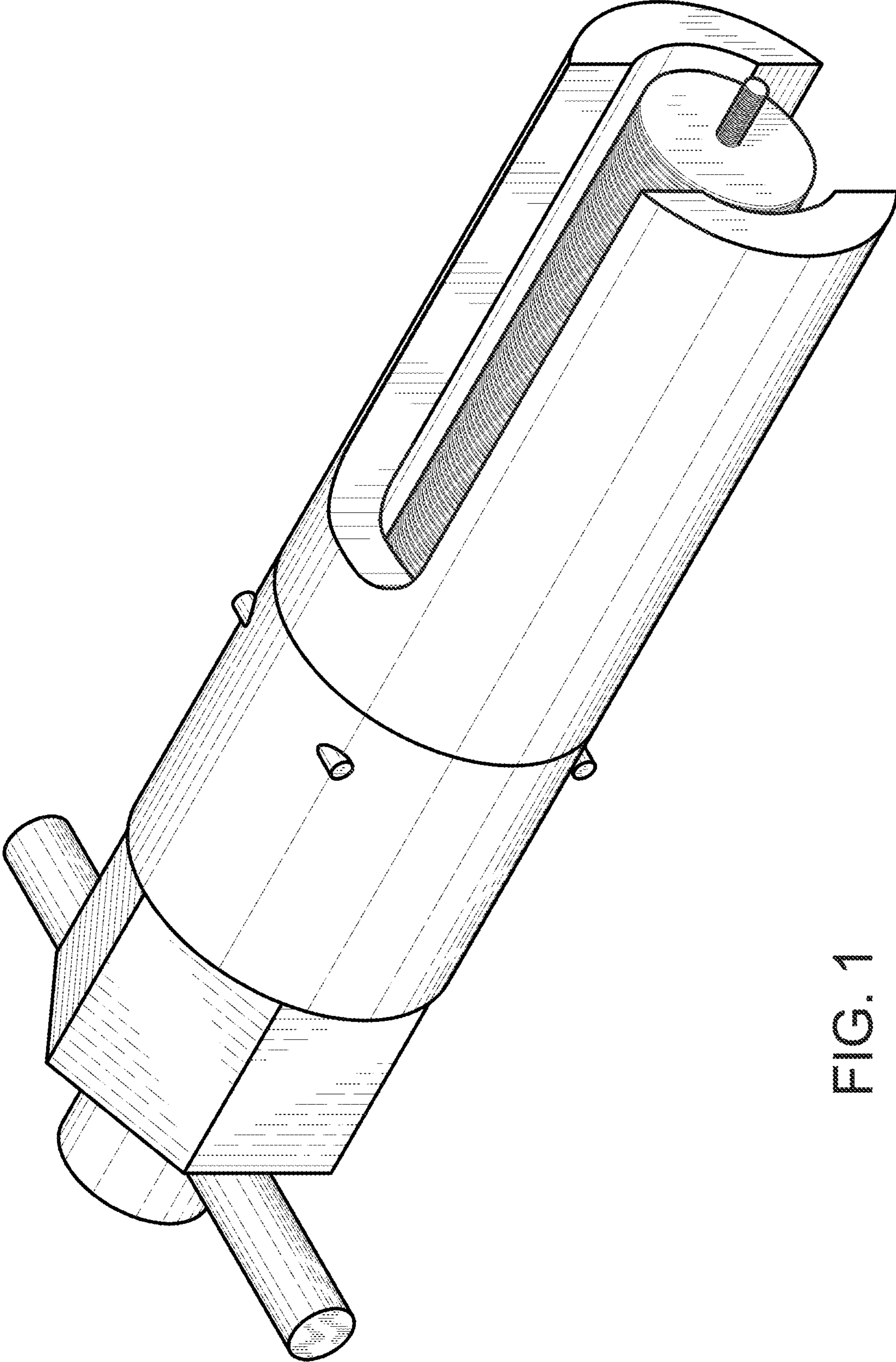


FIG. 1

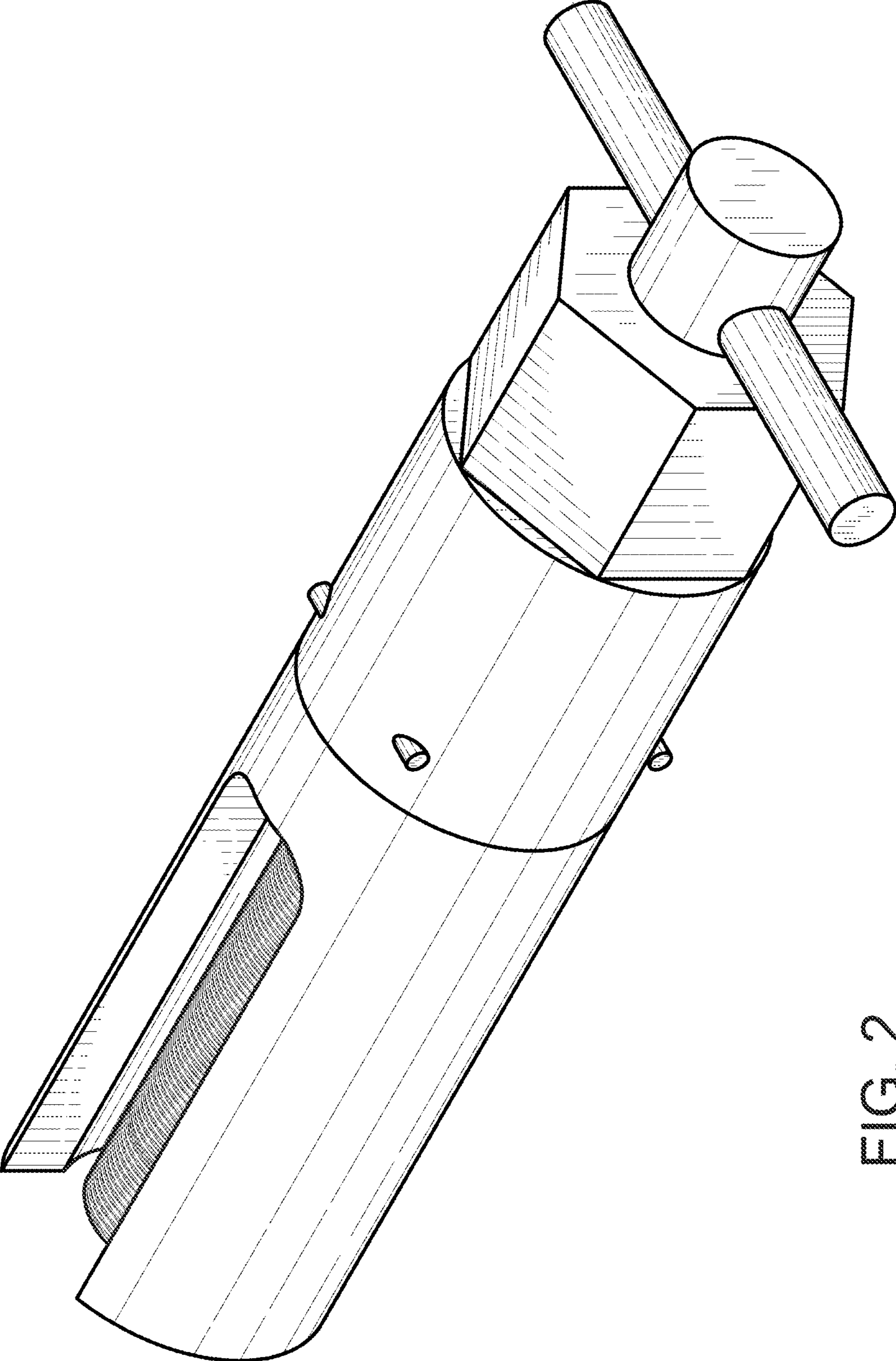


FIG. 2

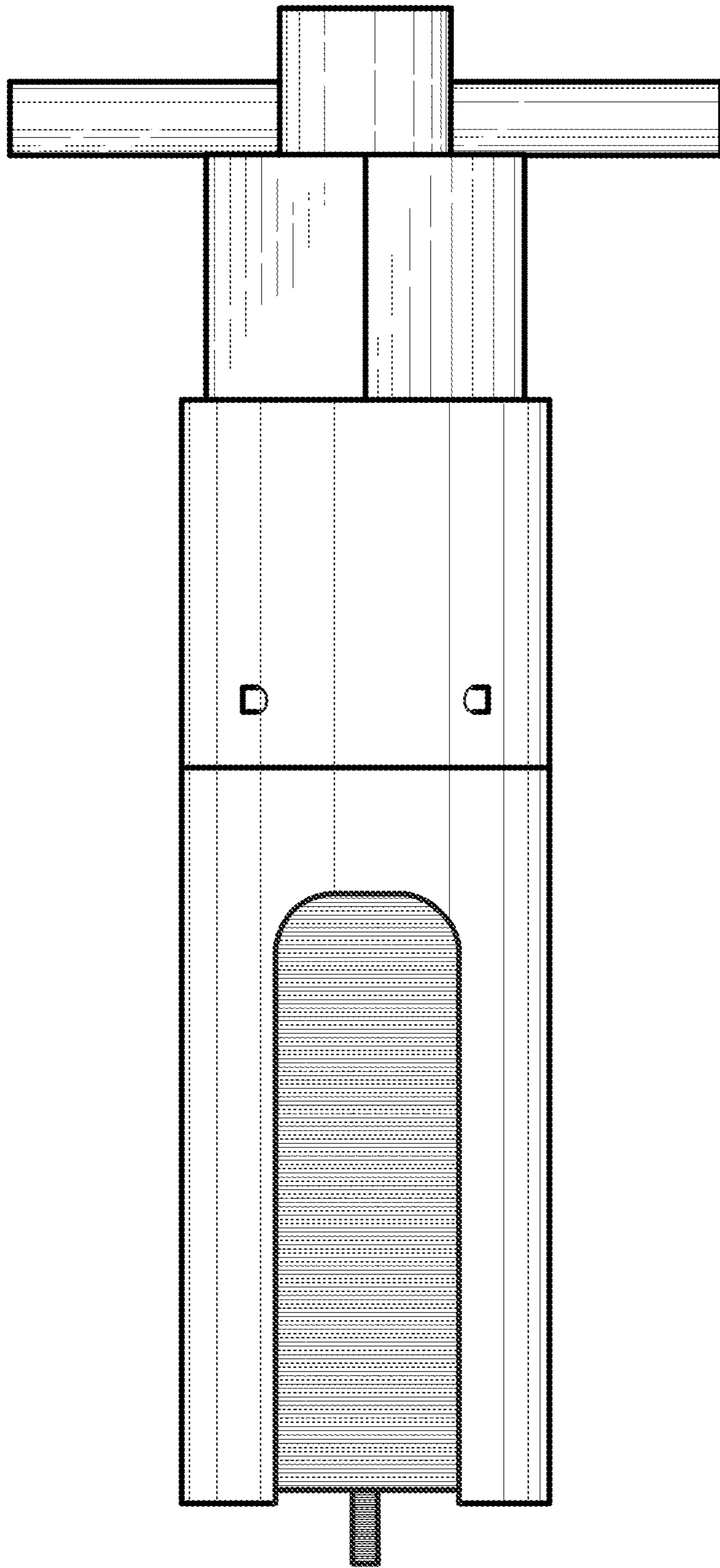


FIG. 3

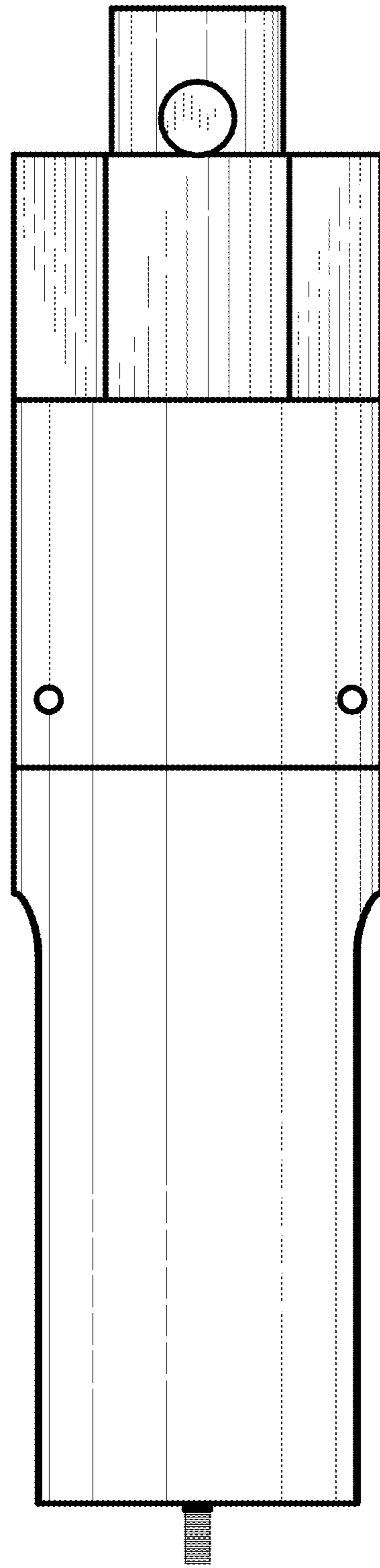


FIG. 4

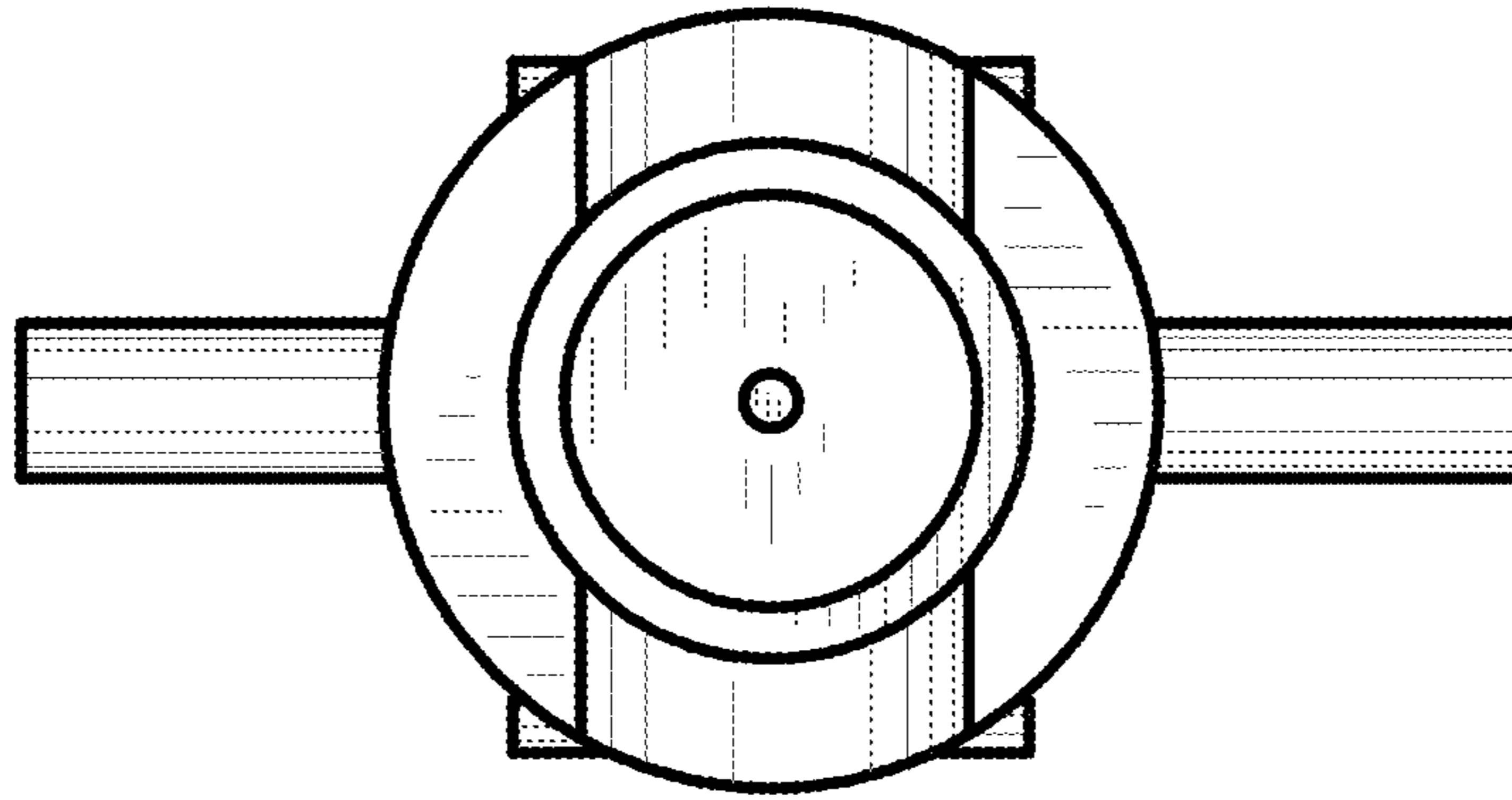


FIG. 5

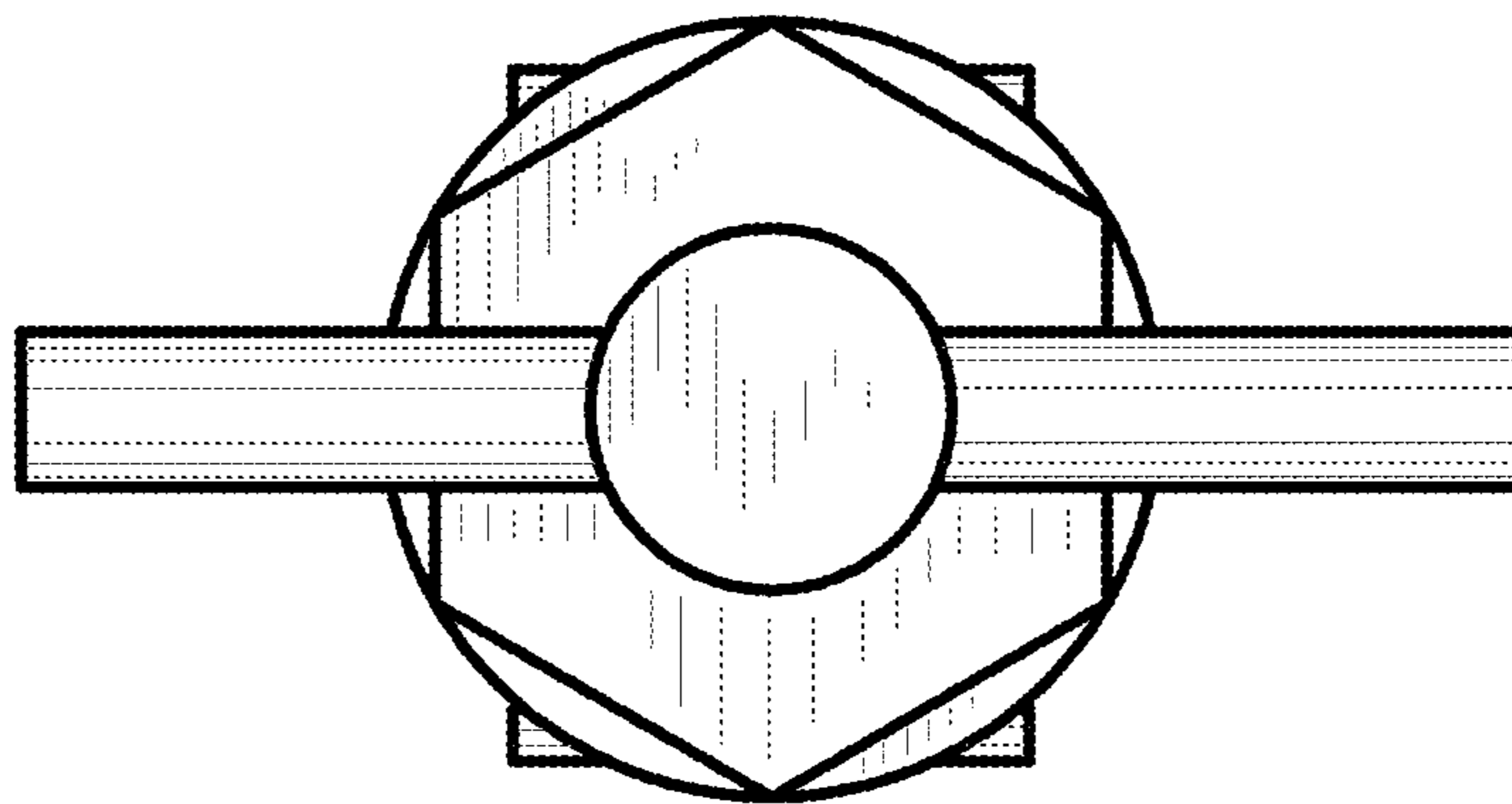


FIG. 6