



US00D875493S

(12) **United States Design Patent**
Fox

(10) **Patent No.:** **US D875,493 S**
(45) **Date of Patent:** **** Feb. 18, 2020**

- (54) **WIRE STRAINER**
- (71) Applicant: **Rural Innovations Pty Ltd**, Tingalpa (AU)
- (72) Inventor: **Richard Thomas Fox**, Tingalpa (AU)
- (73) Assignee: **Rural Innovations Pty Ltd.**, Tingalpa (AU)
- (**) Term: **15 Years**
- (21) Appl. No.: **29/649,933**
- (22) Filed: **Jun. 4, 2018**
- (51) **LOC (12) Cl.** **08-05**
- (52) **U.S. Cl.**
USPC **D8/44**
- (58) **Field of Classification Search**
USPC D8/14, 44, 51, 356, 382, 395
CPC E04H 17/266; E04H 17/268; F16G 11/12
See application file for complete search history.

- 5,012,559 A * 5/1991 Flannery F16G 11/12
24/129 C
- D359,431 S * 6/1995 Motley D8/44
- 5,593,197 A * 1/1997 Mathieu B25B 7/00
294/116
- 6,178,603 B1 * 1/2001 Lillig B25B 25/00
24/132 R
- 7,070,169 B2 * 7/2006 Hernandez, Jr. B66D 3/02
16/110.1
- 8,528,379 B2 * 9/2013 Williamson F16G 11/12
140/149
- 8,544,784 B2 * 10/2013 Zenda F16G 11/12
242/388.1
- D813,630 S * 3/2018 Underwood D8/44

* cited by examiner

Primary Examiner — Philip S Hyder
(74) *Attorney, Agent, or Firm* — Abelman, Frayne & Schwab

(57) **CLAIM**

The ornamental design for a wire strainer, as shown and described.

DESCRIPTION

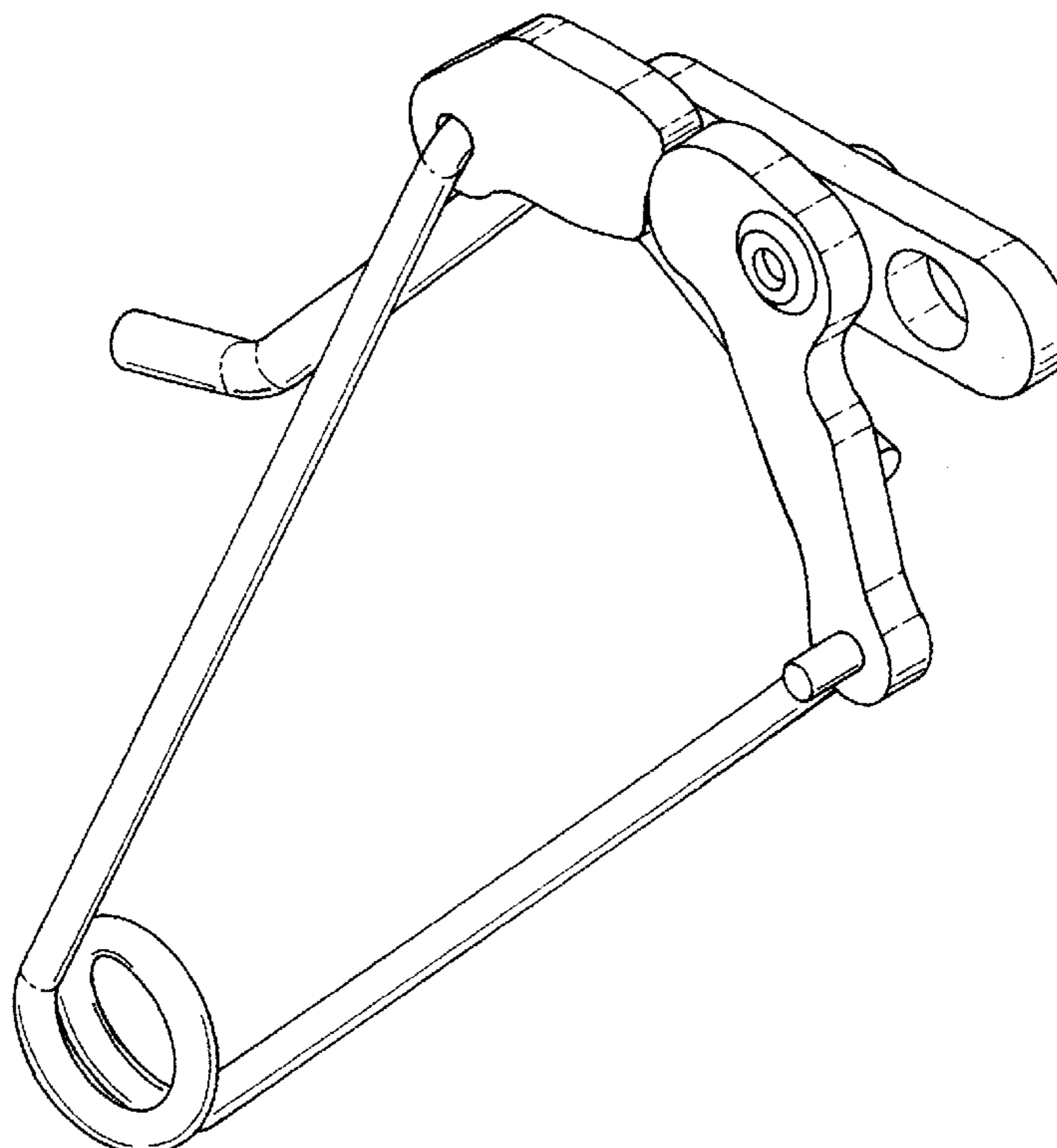
FIG. 1 is a front, right, and top perspective view of the wire strainer showing the new design;
FIG. 2 is a left side elevation view thereof;
FIG. 3 is a front elevation view thereof;
FIG. 4 is a right side elevation view thereof;
FIG. 5 is a rear elevation view thereof;
FIG. 6 is a top plan view thereof; and,
FIG. 7 is a bottom plan view thereof.

1 Claim, 4 Drawing Sheets

(56) **References Cited**

U.S. PATENT DOCUMENTS

- 2,371,295 A * 3/1945 Hopkins A01K 91/03
24/601.8
- 2,634,093 A * 4/1953 Hays F16G 11/12
24/71.1
- 2,772,070 A * 11/1956 Stevenson F16G 11/12
254/199
- 3,211,426 A * 10/1965 Handley E04H 17/266
24/132 R
- D298,727 S * 11/1988 Hansson D8/356



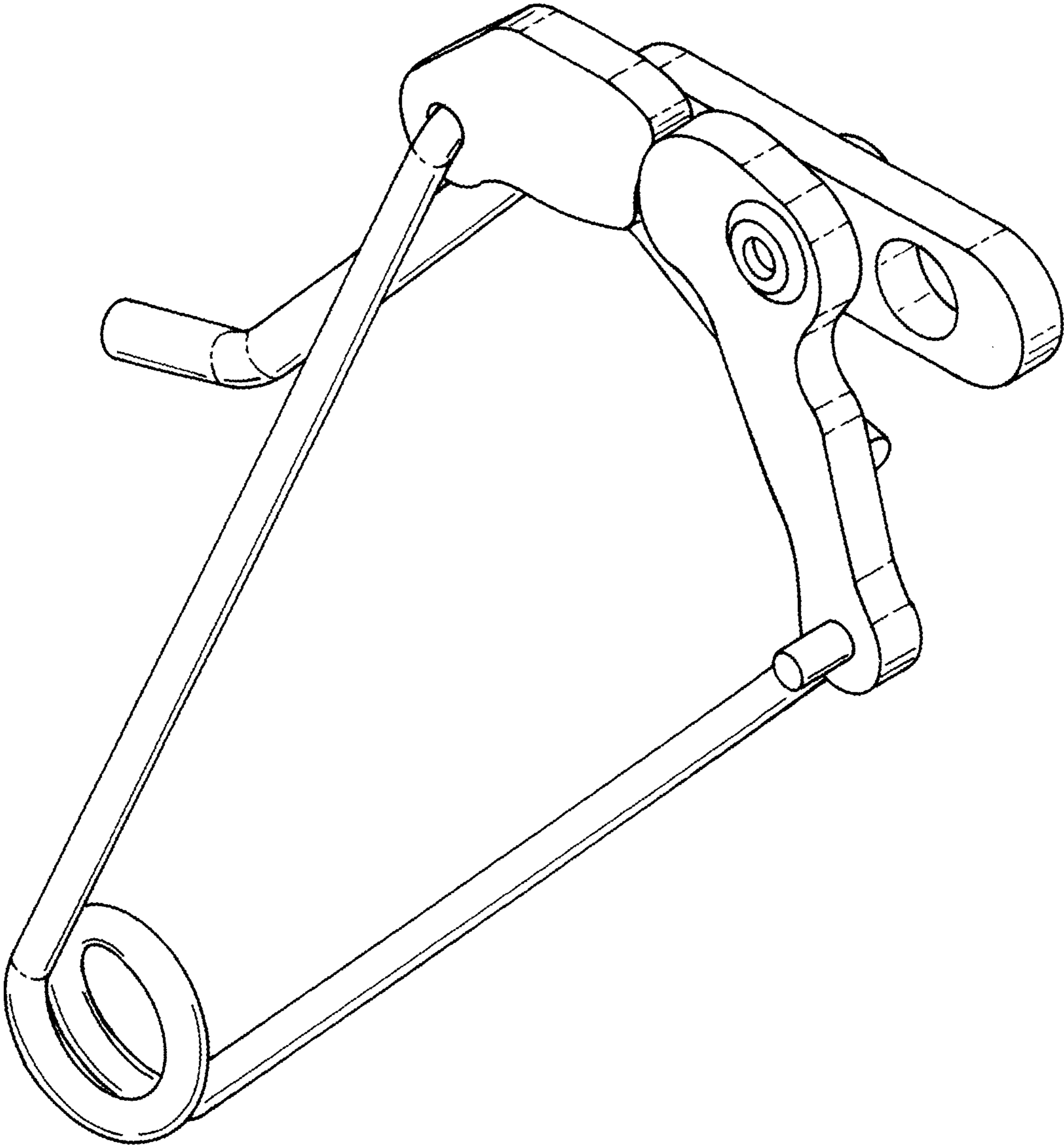


FIG.1

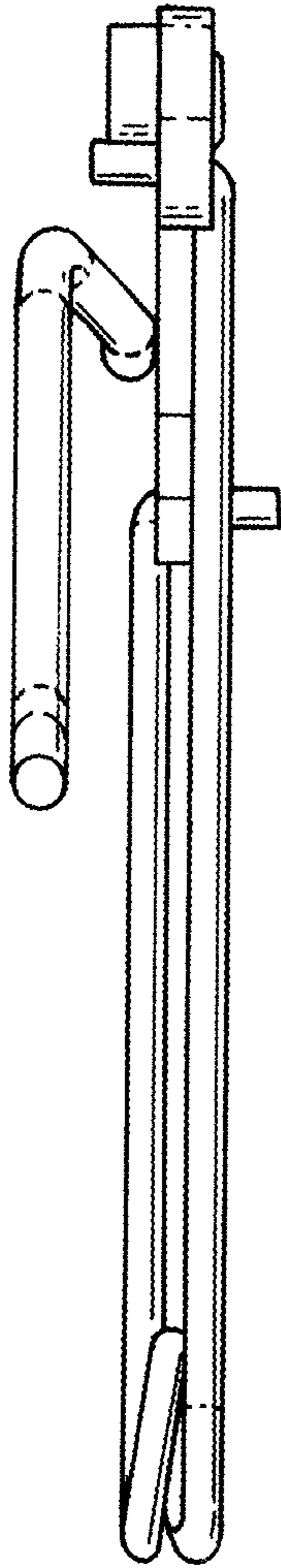


FIG. 2

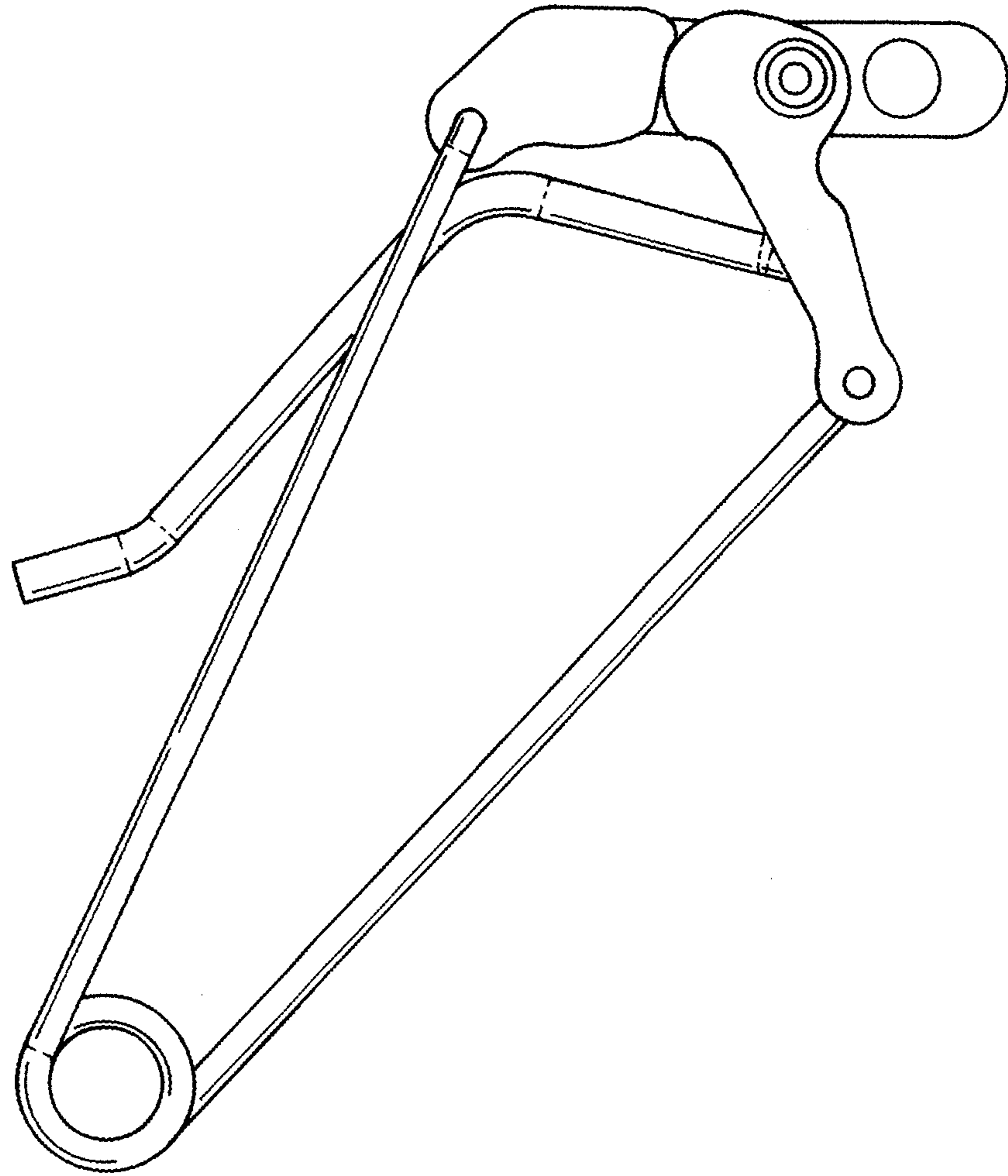


FIG. 3

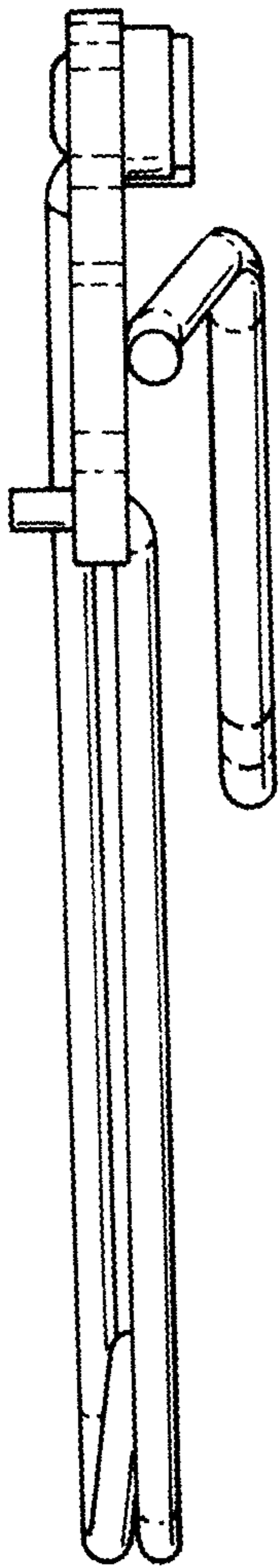


FIG. 4

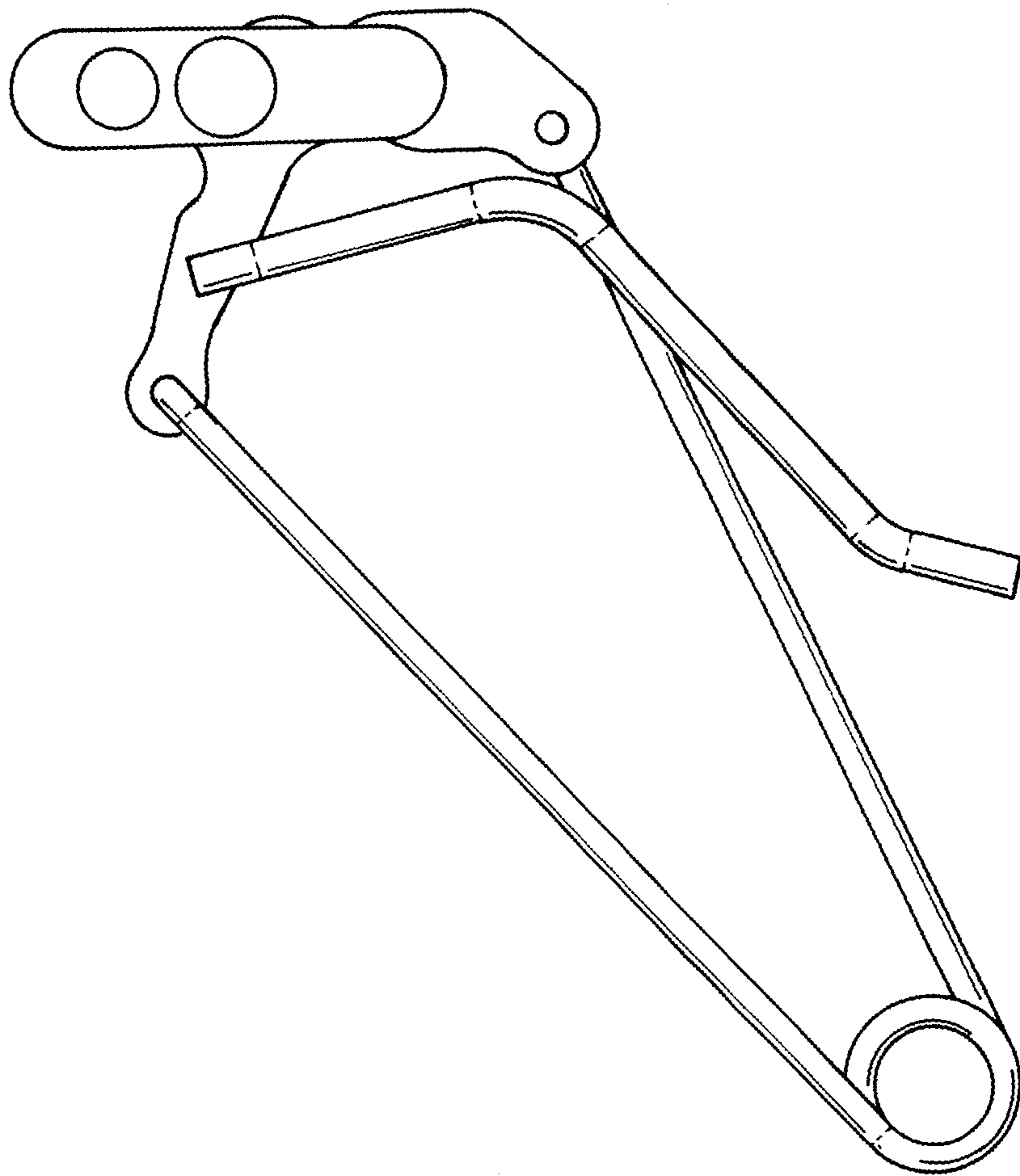


FIG. 5

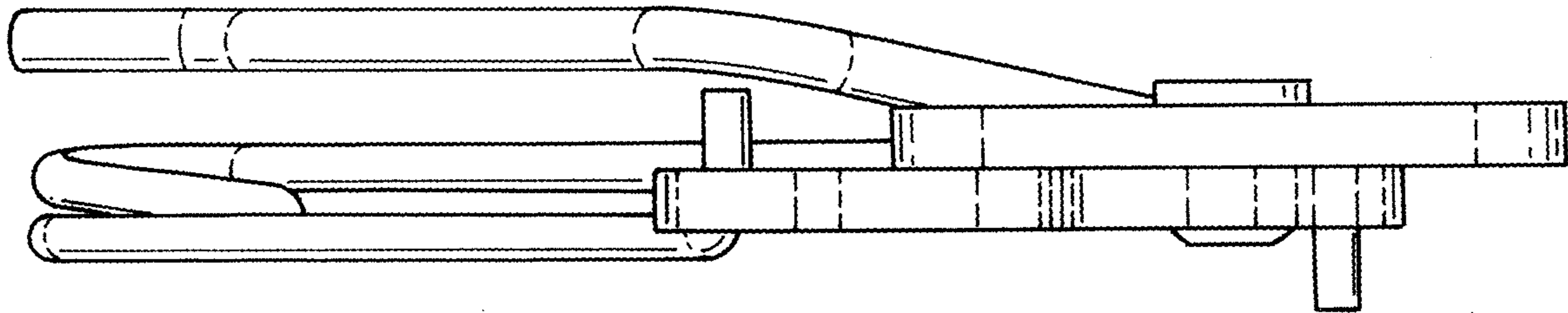


FIG. 6

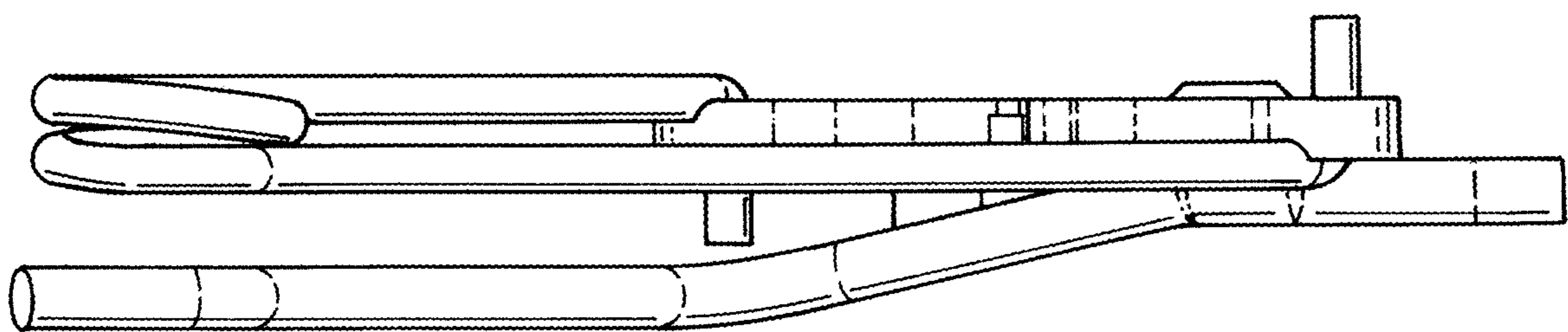


FIG. 7