



US00D875492S

(12) **United States Design Patent**
Brouillac

(10) **Patent No.:** **US D875,492 S**

(45) **Date of Patent:** **** Feb. 18, 2020**

(54) **CORKSCREW**
(71) Applicant: **PEUGEOT SAVEURS**, Quingey (FR)
(72) Inventor: **Nicolas Brouillac**, Saint Vit (FR)
(73) Assignee: **PEUGEOT SAVEURS**, Quingey (FI)
(**) Term: **15 Years**
(21) Appl. No.: **35/506,107**
(22) Filed: **Jul. 26, 2018**
(80) **Hague Agreement Data**
Int. Filing Date: **Jul. 26, 2018**
Int. Reg. No.: **DM/103790**
Int. Reg. Date: **Jul. 26, 2018**
Int. Reg. Pub. Date: **Nov. 30, 2018**

(30) **Foreign Application Priority Data**
Jan. 26, 2018 (EP) 004682532
(51) **LOC (12) Cl.** **07-06**
(52) **U.S. Cl.**
USPC **D8/42**
(58) **Field of Classification Search**
USPC D8/33, 34, 39, 40, 41, 42, 43, 55, 105
CPC B67B 7/0423
See application file for complete search history.

(56) **References Cited**
U.S. PATENT DOCUMENTS
1,680,291 A * 8/1928 Harding B67B 7/44
81/3.35
D214,078 S * 5/1969 Steiner D8/42
3,451,076 A * 6/1969 Deaver B67B 7/0423
7/118
4,437,359 A * 3/1984 Dejoux B67B 7/0429
30/1.5
D301,539 S * 6/1989 Cheung D8/41

D347,775 S * 6/1994 Seiler D8/34
5,363,725 A * 11/1994 Cellini B67B 7/0423
30/1.5
5,887,305 A * 3/1999 Cellini B67B 7/0423
30/1.5
D455,059 S * 4/2002 Stirling D8/40
D455,623 S * 4/2002 Farfalli D8/42
D456,687 S * 5/2002 Economos D8/105
D497,528 S * 10/2004 Harris D8/34
D642,441 S * 8/2011 Danias-Borkin D8/33
D728,335 S * 5/2015 Watson D8/42
D758,161 S * 6/2016 Oakley D8/105
D794,410 S * 8/2017 Wu D8/34
2006/0233219 A1 * 10/2006 Harris G01J 5/0037
374/155
2007/0125200 A1 * 6/2007 Cellini B67B 7/0429
81/3.09
2009/0301261 A1 * 12/2009 Cellini B67B 7/04
81/3.45
2011/0283840 A1 * 11/2011 Brucart-Puig B26B 1/08
81/3.09
2019/0127195 A1 * 5/2019 Savatier B67B 7/0447

* cited by examiner

Primary Examiner — Deanna L Pratt
(74) *Attorney, Agent, or Firm* — Craft Chu PLLC;
Andrew W. Chu

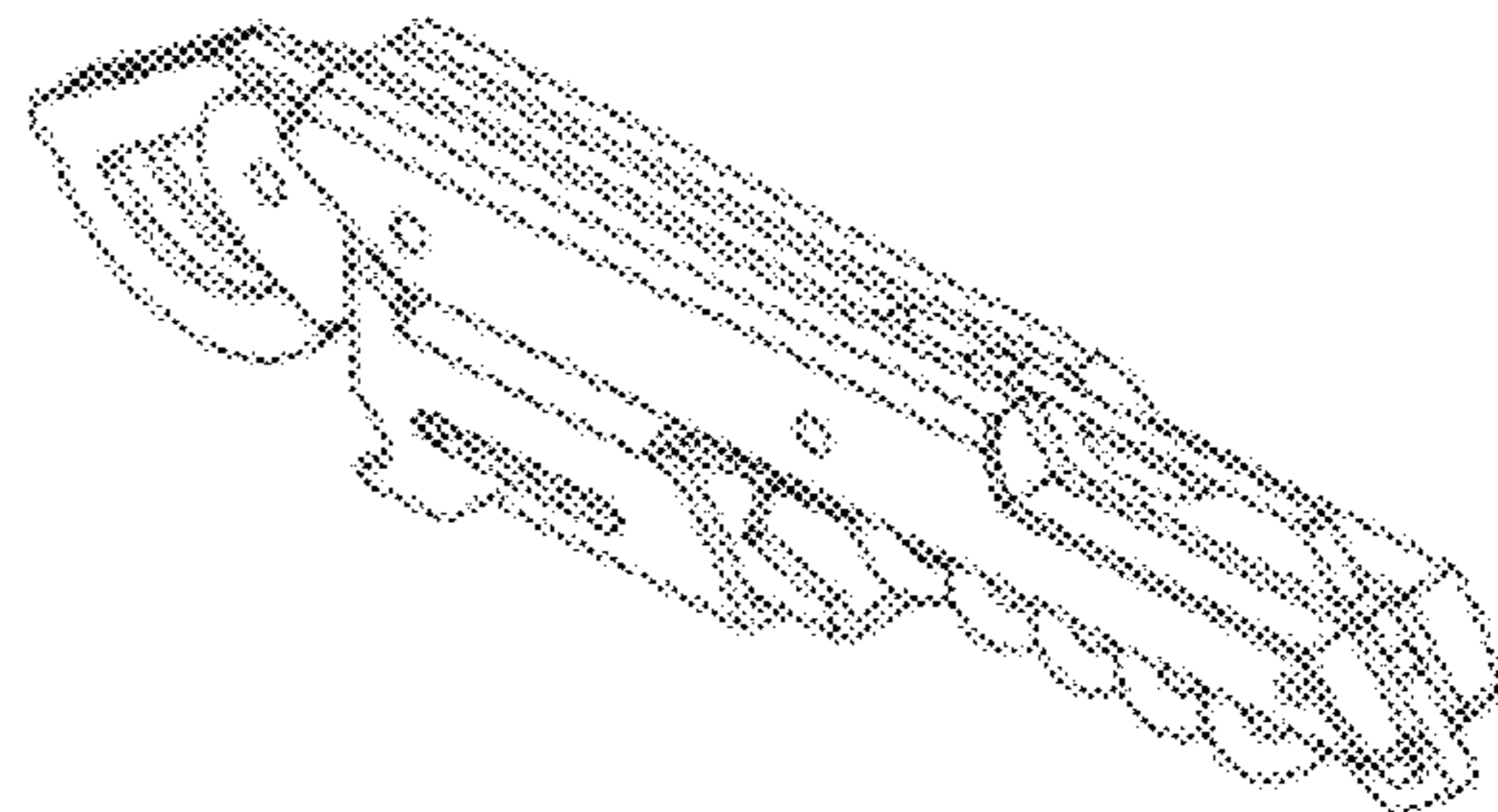
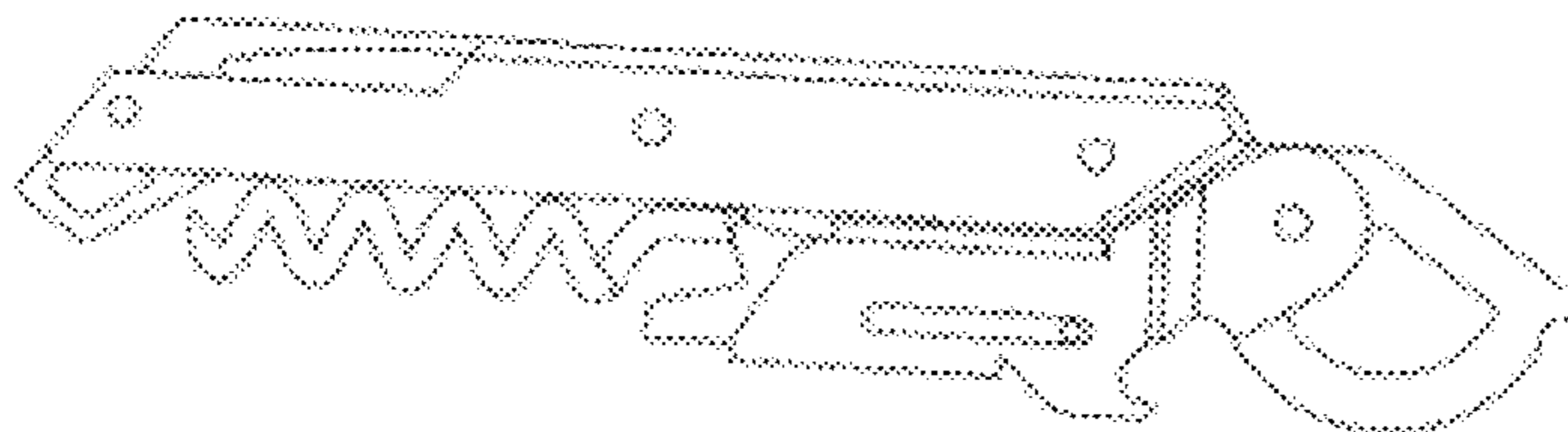
(57) **CLAIM**

The ornamental design for a corkscrew, as shown and described.

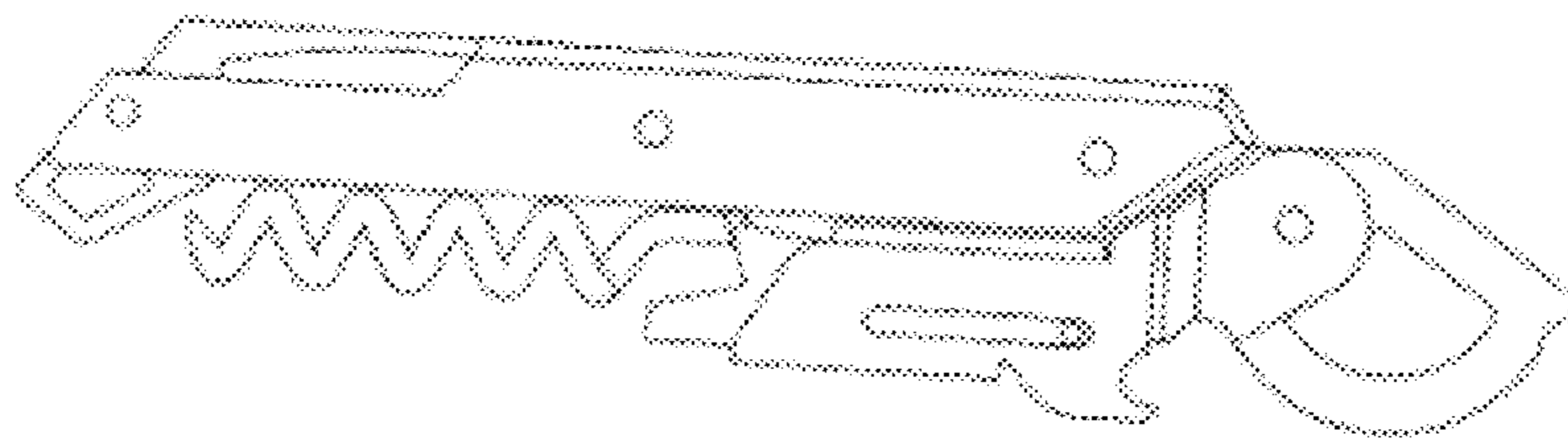
DESCRIPTION

- 1. Corkscrew
- 1.1: Front
- 1.2: Bottom
- 1.3: Top
- 1.4: Side
- 1.5: Perspective
- 1.6: Rear

1 Claim, 6 Drawing Sheets



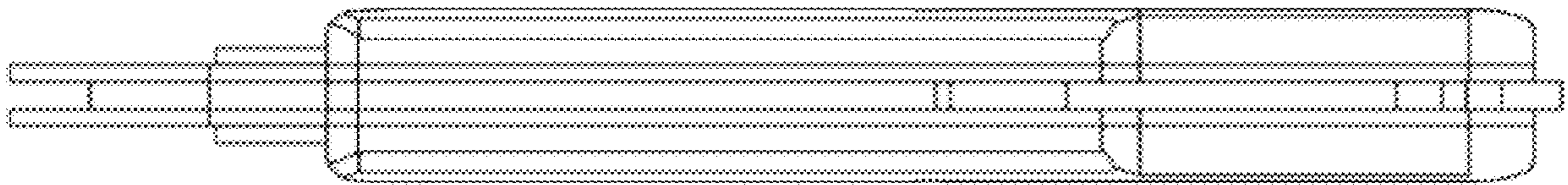
1.1



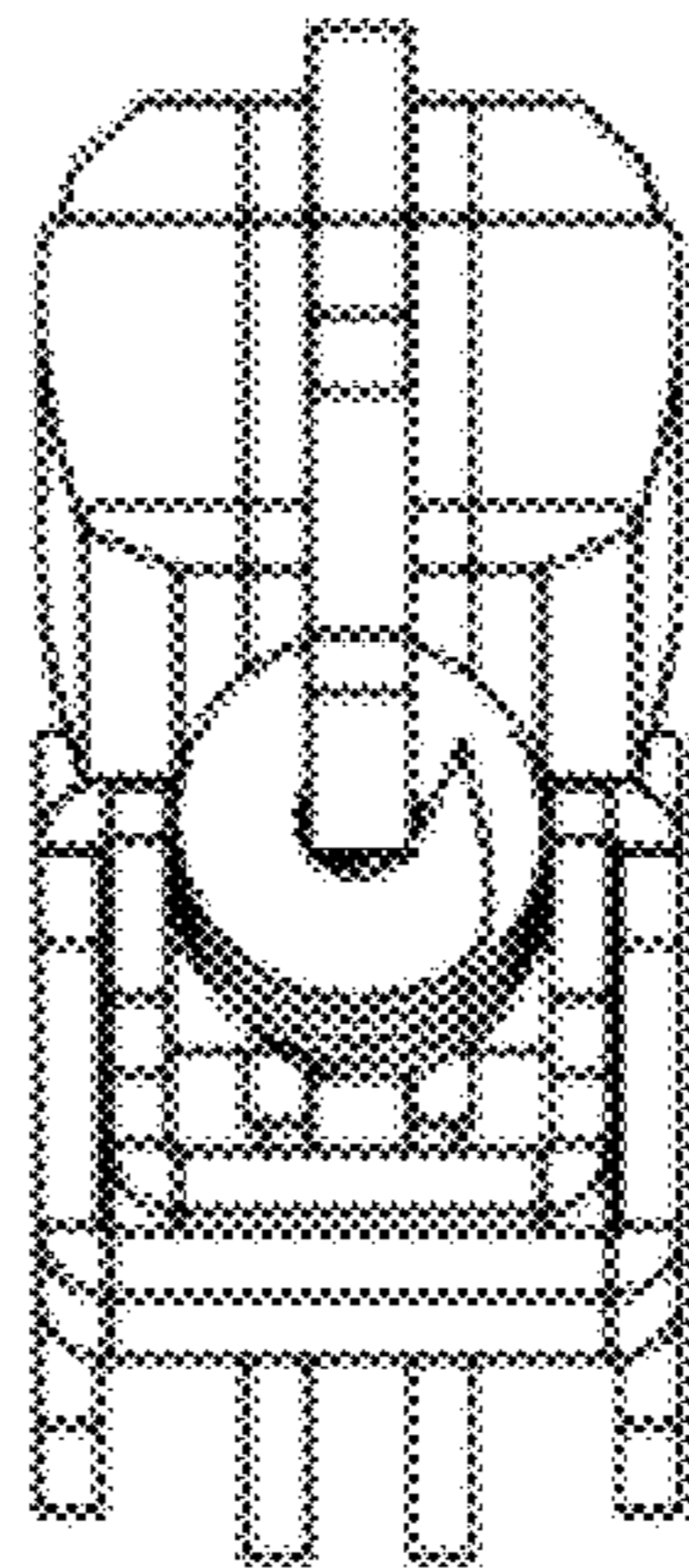
1.2



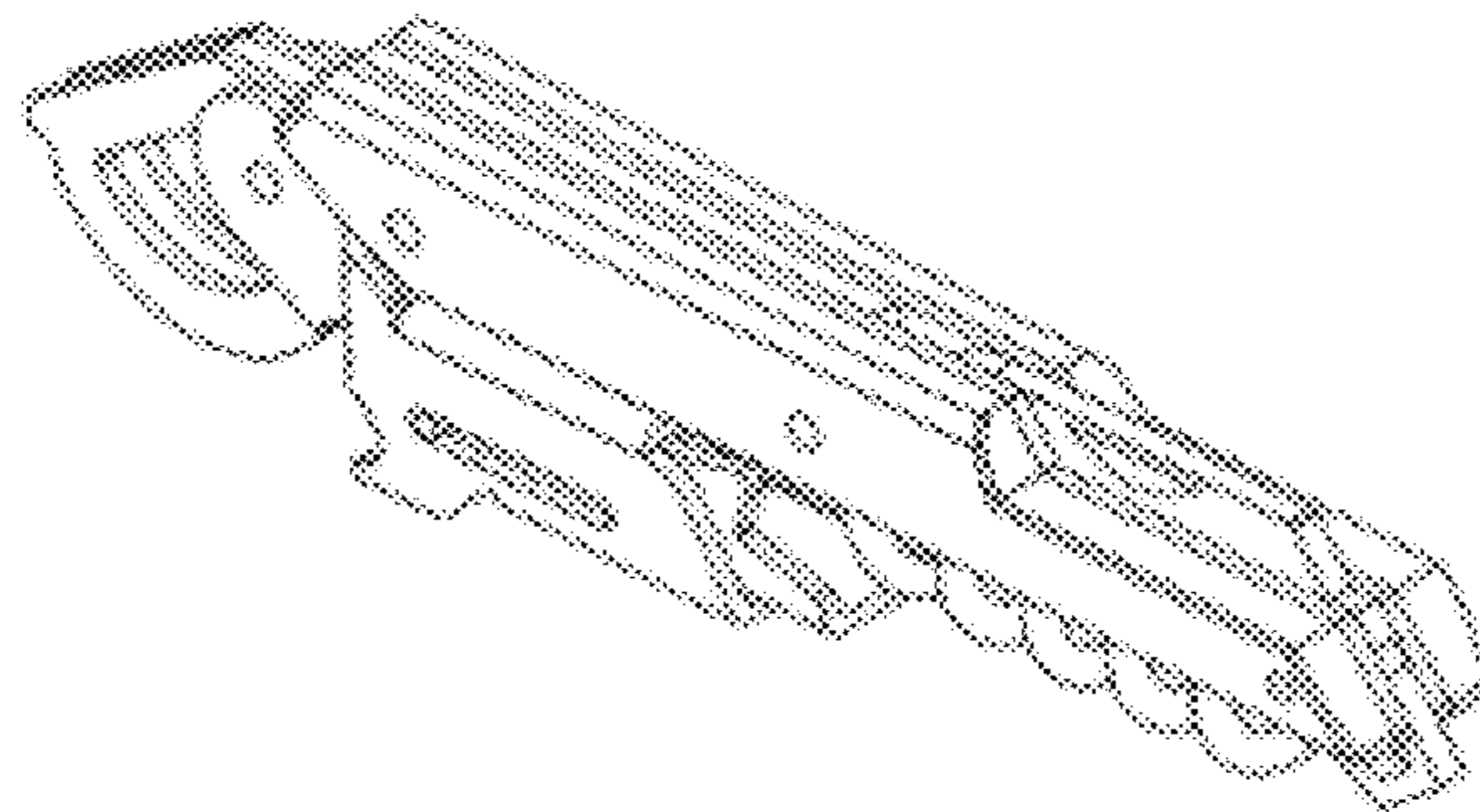
1.3



1.4



1.5



1.6

