



US00D875491S

(12) **United States Design Patent** (10) **Patent No.:** **US D875,491 S**  
**Zemel et al.** (45) **Date of Patent:** **\*\* Feb. 18, 2020**

(54) **CAN OPENER**  
(71) Applicant: **Mr. Bar-B-Q Products LLC**, Melville, NY (US)  
(72) Inventors: **Marc Zemel**, Melville, NY (US); **Joanne Rudis**, Melville, NY (US)  
(73) Assignee: **MR. BAR-B-Q PRODUCTS LLC**, Melville, NY (US)  
(\*\*) Term: **15 Years**  
(21) Appl. No.: **29/654,714**

D201,883 S \* 8/1965 Gruska ..... D8/37  
4,125,941 A \* 11/1978 McKinley ..... B67B 7/34  
30/427  
D266,979 S \* 11/1982 Steiner ..... D8/39  
D269,151 S \* 5/1983 Schulein ..... D8/39  
4,563,818 A \* 1/1986 Kreth ..... B67B 7/34  
30/417  
D292,866 S \* 11/1987 Barnett ..... D8/41  
D295,944 S \* 5/1988 Cooper ..... D8/33  
4,754,550 A \* 7/1988 Koo ..... B67B 7/34  
30/417  
4,825,554 A \* 5/1989 Koo ..... B67B 7/34  
30/417  
D303,072 S \* 8/1989 Ancona ..... D8/39  
D304,900 S \* 12/1989 Miquelot ..... D8/39  
D329,789 S \* 9/1992 Bartlett ..... D8/33

(Continued)

(22) Filed: **Jun. 27, 2018**  
(51) **LOC (12) Cl.** ..... **07-99**  
(52) **U.S. Cl.**  
USPC ..... **D8/41**  
(58) **Field of Classification Search**  
USPC ..... D8/18, 33-43, 51, 52, 53, 54, 55, 107;  
D11/26-28  
CPC .. B67B 7/06; B67B 7/066; B67B 7/12; B67B  
7/16; B67B 7/18; B67B 7/20; B67B 7/24;  
B67B 7/30; B67B 7/34; B67B 2007/0458;  
B67B 2007/303  
See application file for complete search history.

FOREIGN PATENT DOCUMENTS

GB 2325209 A 11/1998  
*Primary Examiner* — Elizabeth A. Albert  
(74) *Attorney, Agent, or Firm* — Carter, DeLuca & Farrell LLP

(57) **CLAIM**

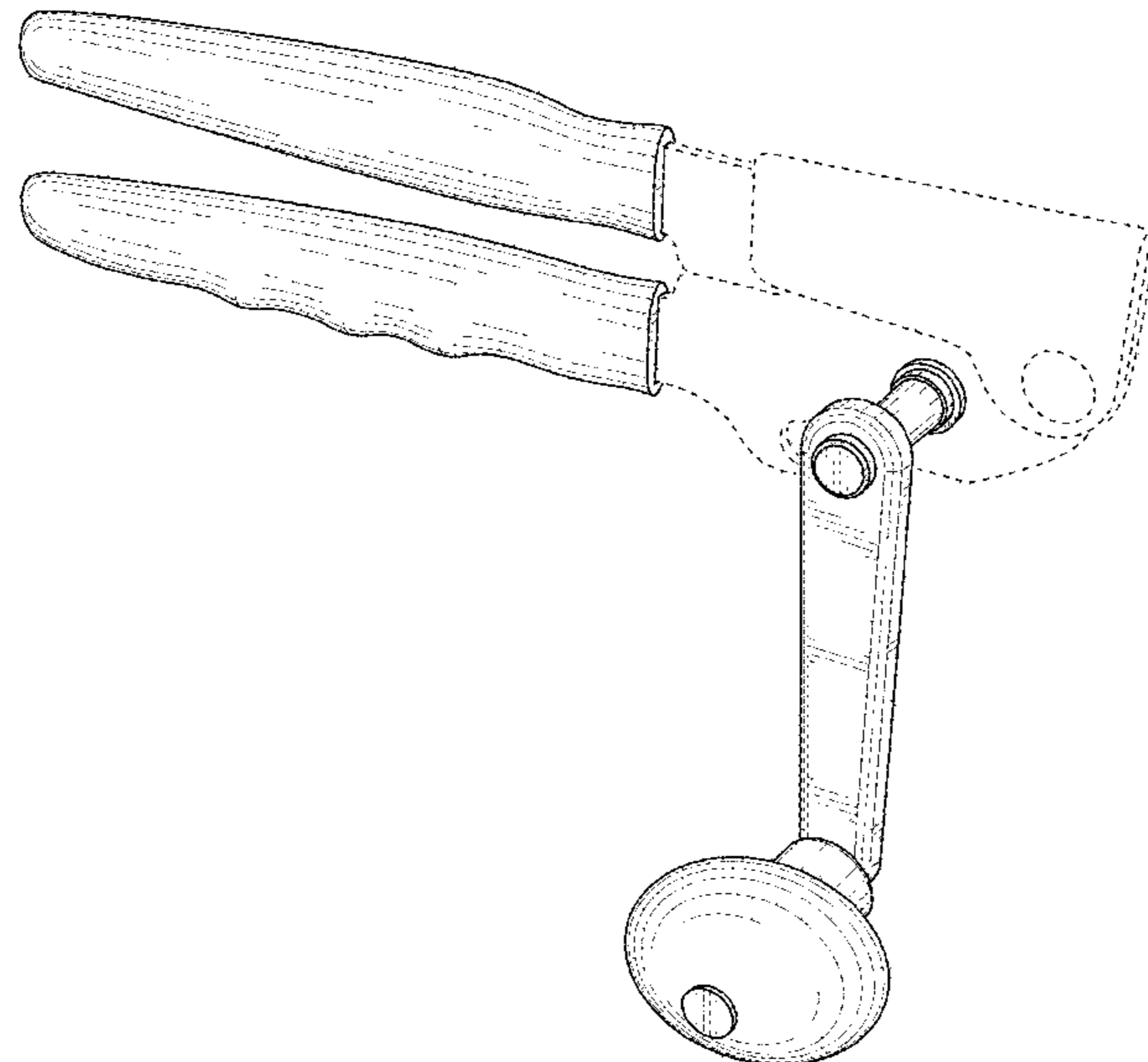
The ornamental design for a can opener, as shown and described.

**DESCRIPTION**

FIG. 1 is a perspective view of a can opener in accordance with the present design;  
FIG. 2 is a right side elevational view thereof;  
FIG. 3 is a left side elevational view thereof;  
FIG. 4 is a front elevational view thereof;  
FIG. 5 is a rear elevational view thereof;  
FIG. 6 is a top plan view thereof; and,  
FIG. 7 is a bottom plan view thereof.  
The broken lines shown in the drawings illustrate portions of the can opener that form no part of the claimed design.

**1 Claim, 6 Drawing Sheets**

(56) **References Cited**  
U.S. PATENT DOCUMENTS  
1,795,478 A 3/1931 Davis  
1,852,389 A \* 4/1932 Zidovec ..... B67B 7/32  
30/410  
2,354,469 A 7/1944 Lubetsky  
2,592,934 A \* 4/1952 McLean ..... B67B 7/34  
30/426  
2,649,347 A 8/1953 Moore  
2,843,931 A 7/1958 Lindahl  
2,866,263 A \* 12/1958 McLean ..... B67B 7/34  
30/426  
2,925,653 A 2/1960 Stallard  
D191,046 S \* 8/1961 Hvale ..... D8/39



(56)

**References Cited**

U.S. PATENT DOCUMENTS

5,181,322 A \* 1/1993 Koo ..... B67B 7/34  
30/416

5,197,197 A \* 3/1993 Himmighofen ..... B67B 7/34  
30/260

5,430,945 A \* 7/1995 Huang ..... B67B 7/34  
294/65.5

D362,165 S \* 9/1995 Wheeler ..... D8/36

D362,379 S \* 9/1995 Tekaat ..... D8/39

5,581,897 A \* 12/1996 Liebscher ..... B67B 7/34  
30/416

D403,217 S \* 12/1998 Usbeck ..... D8/39

D405,332 S \* 2/1999 So ..... D8/39

D406,026 S \* 2/1999 So ..... D8/39

D409,888 S \* 5/1999 So ..... D8/39

D458,819 S \* 6/2002 Levien ..... D8/39

D474,083 S \* 5/2003 Lo ..... D8/39

6,675,487 B2 \* 1/2004 So ..... B67B 7/34  
220/265

7,353,607 B2 \* 4/2008 So ..... B67B 7/32  
30/416

7,409,768 B1 \* 8/2008 Chapman ..... B67B 7/34  
30/400

D717,146 S \* 11/2014 Grossman ..... D8/40

D748,960 S \* 2/2016 Schuler ..... D8/41

10,125,000 B2 \* 11/2018 Kent ..... B67B 7/34

D846,961 S \* 4/2019 Holding ..... D8/40

2005/0198838 A1 9/2005 Bonich

2007/0033815 A1 \* 2/2007 Lazaroff ..... B67B 7/32  
30/416

2012/0005907 A1 \* 1/2012 Peedell ..... B67B 7/34  
30/418

\* cited by examiner

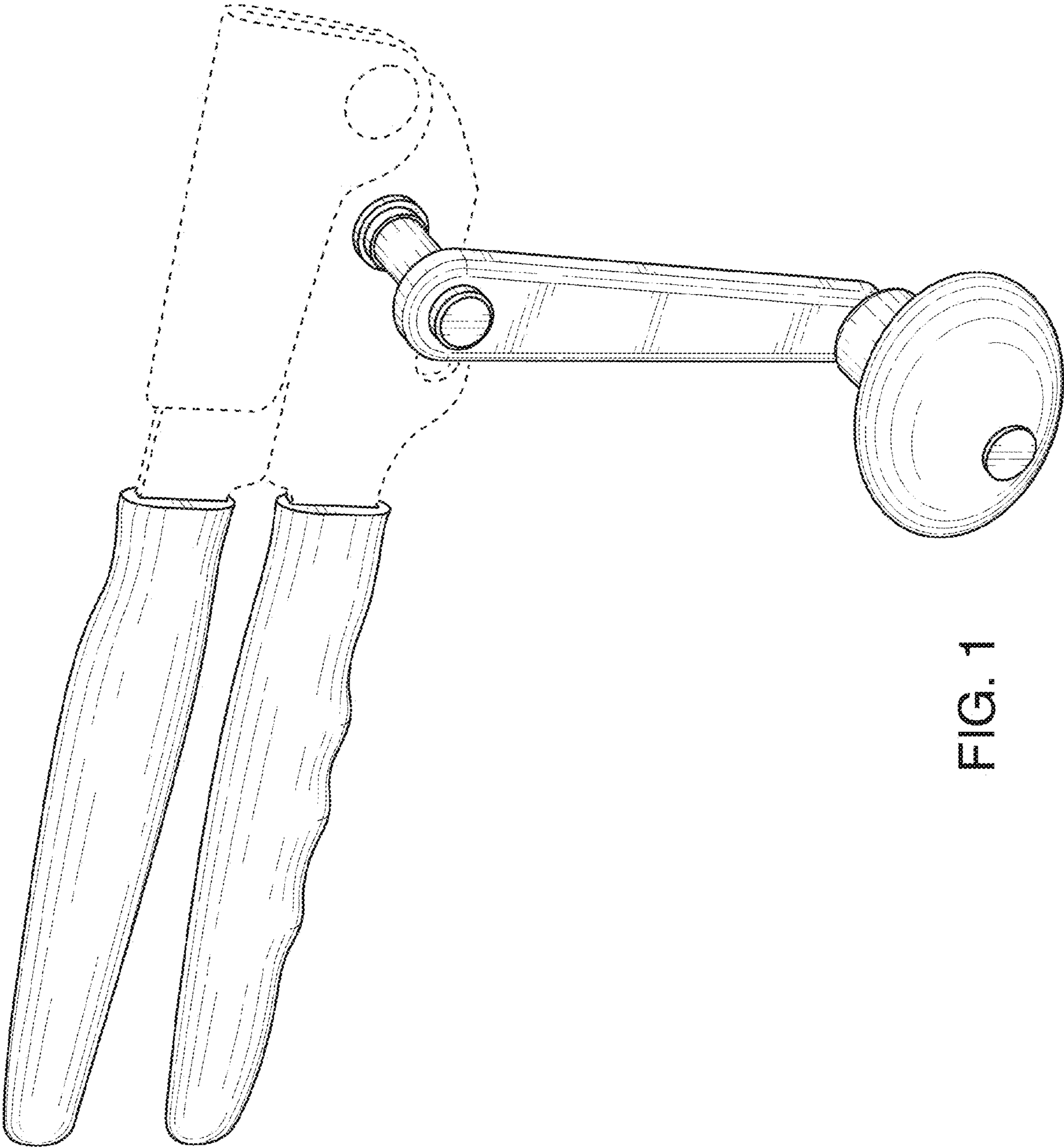


FIG. 1

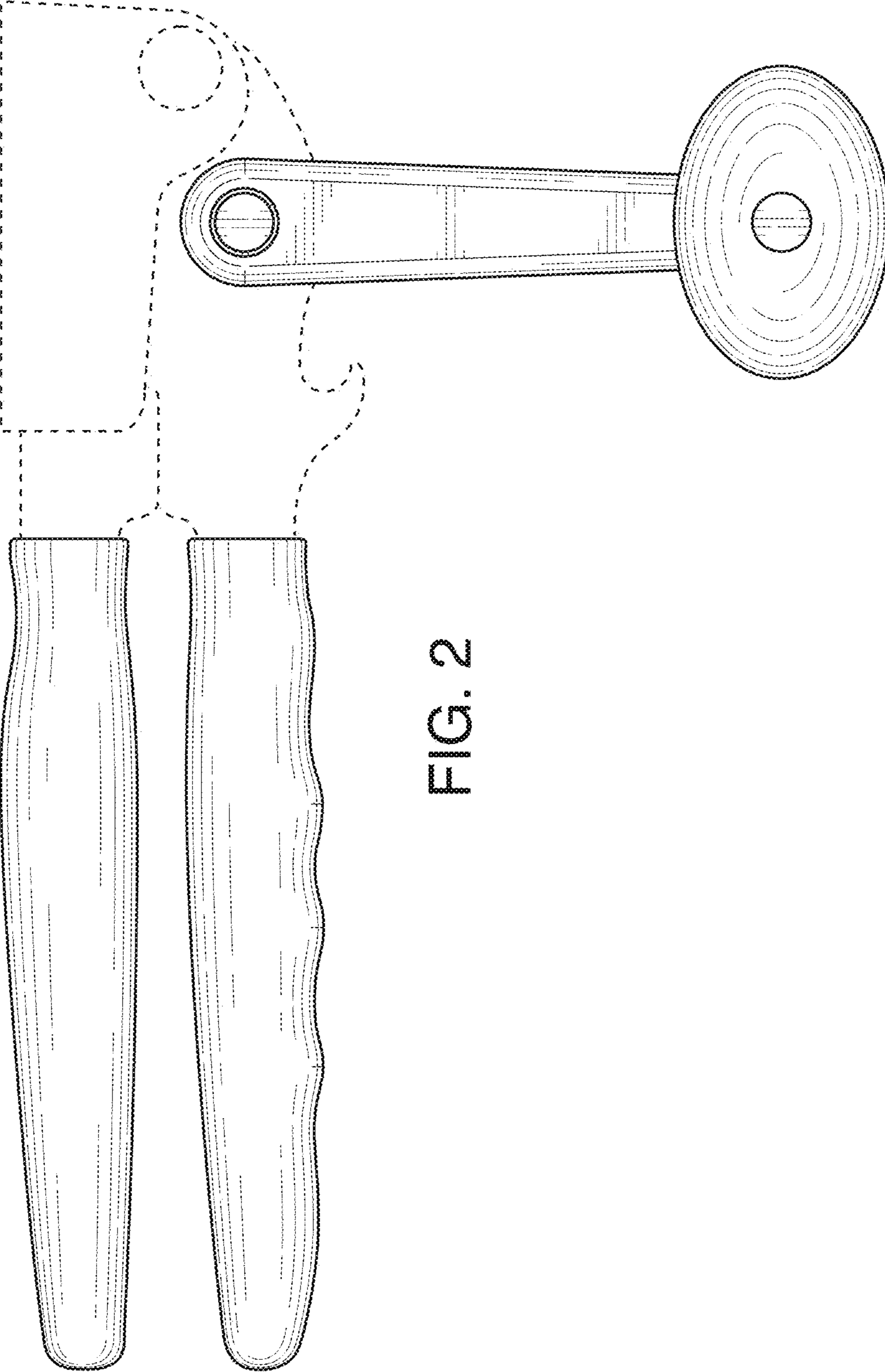


FIG. 2



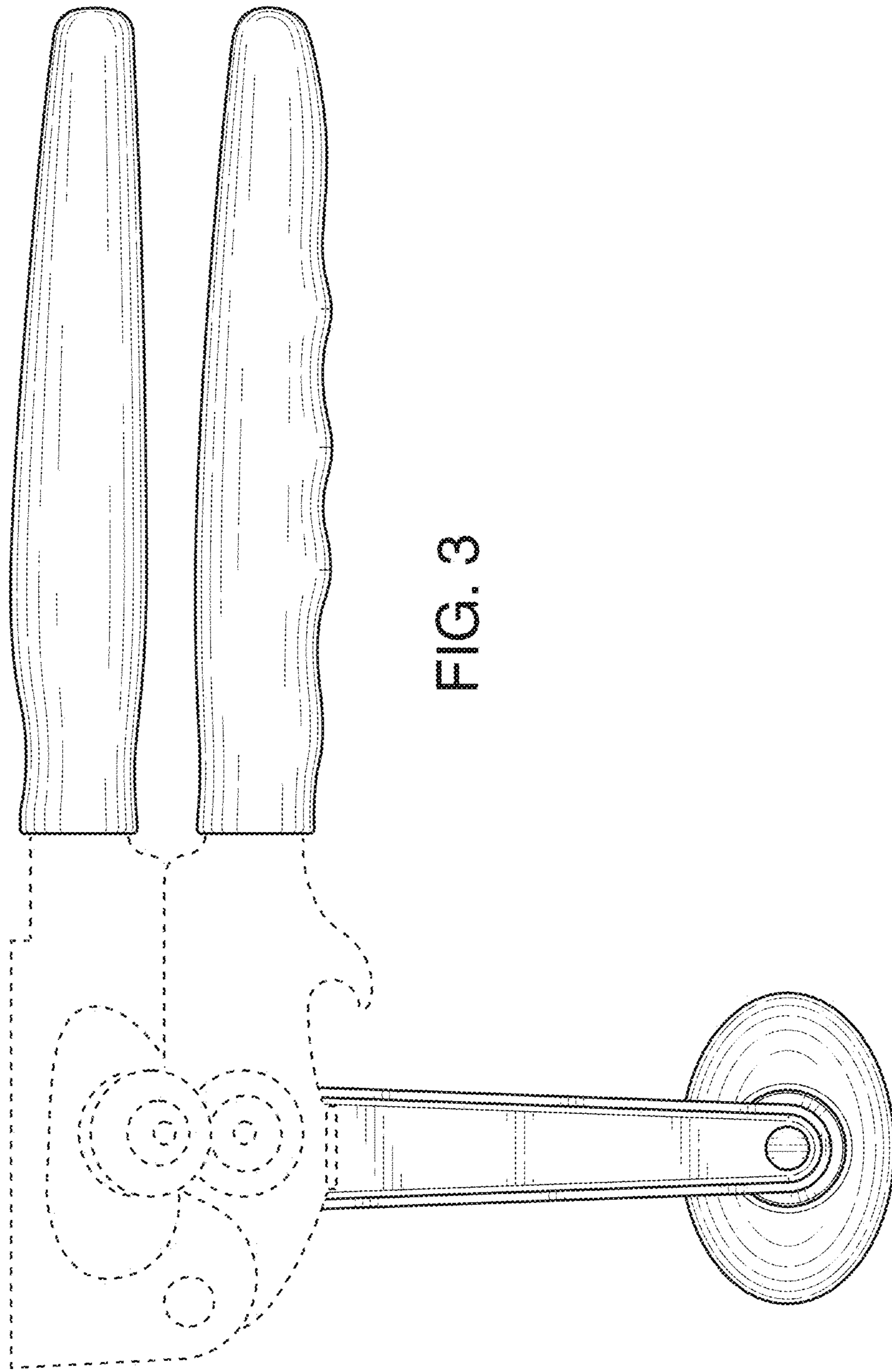


FIG. 3

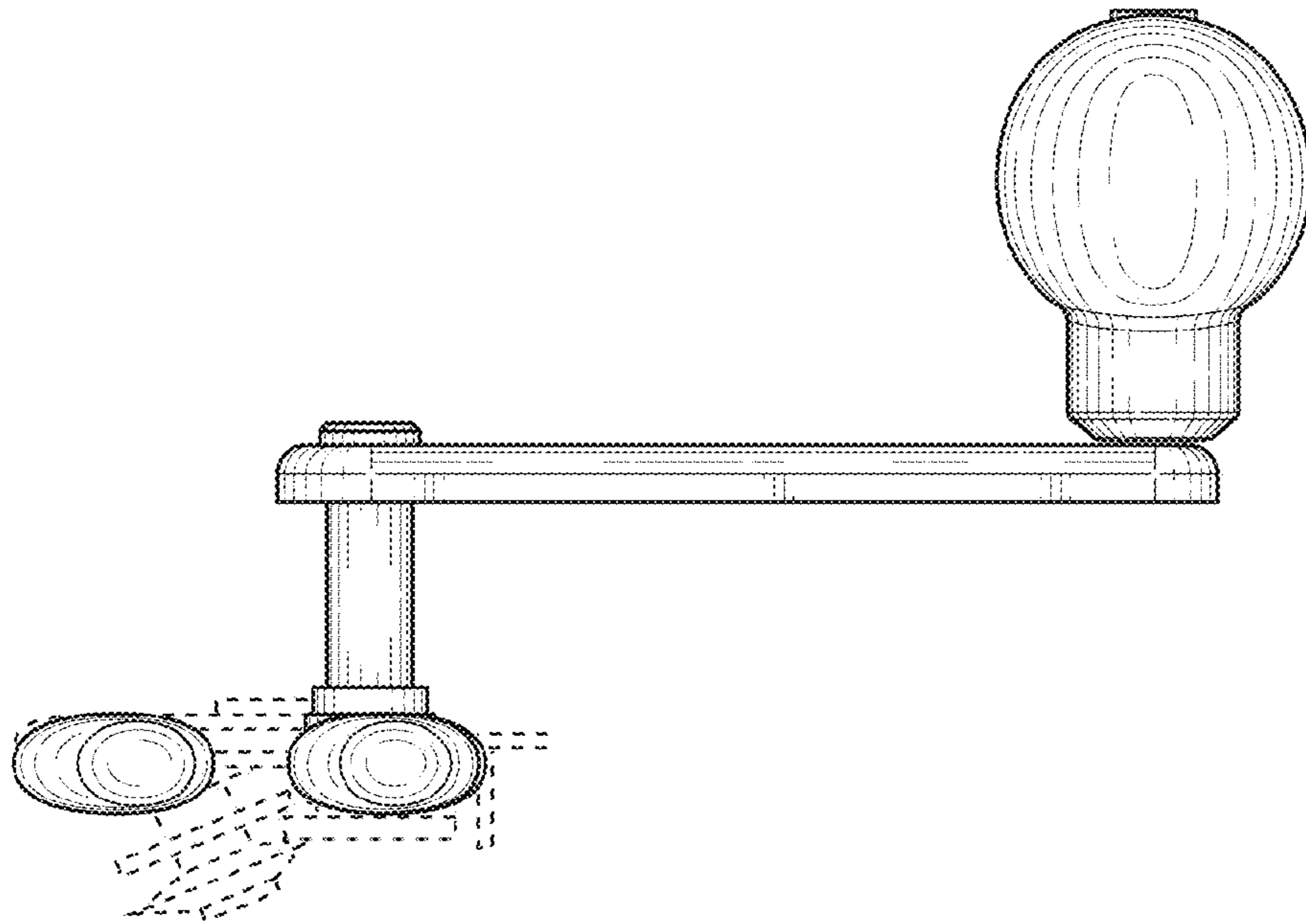


FIG. 5

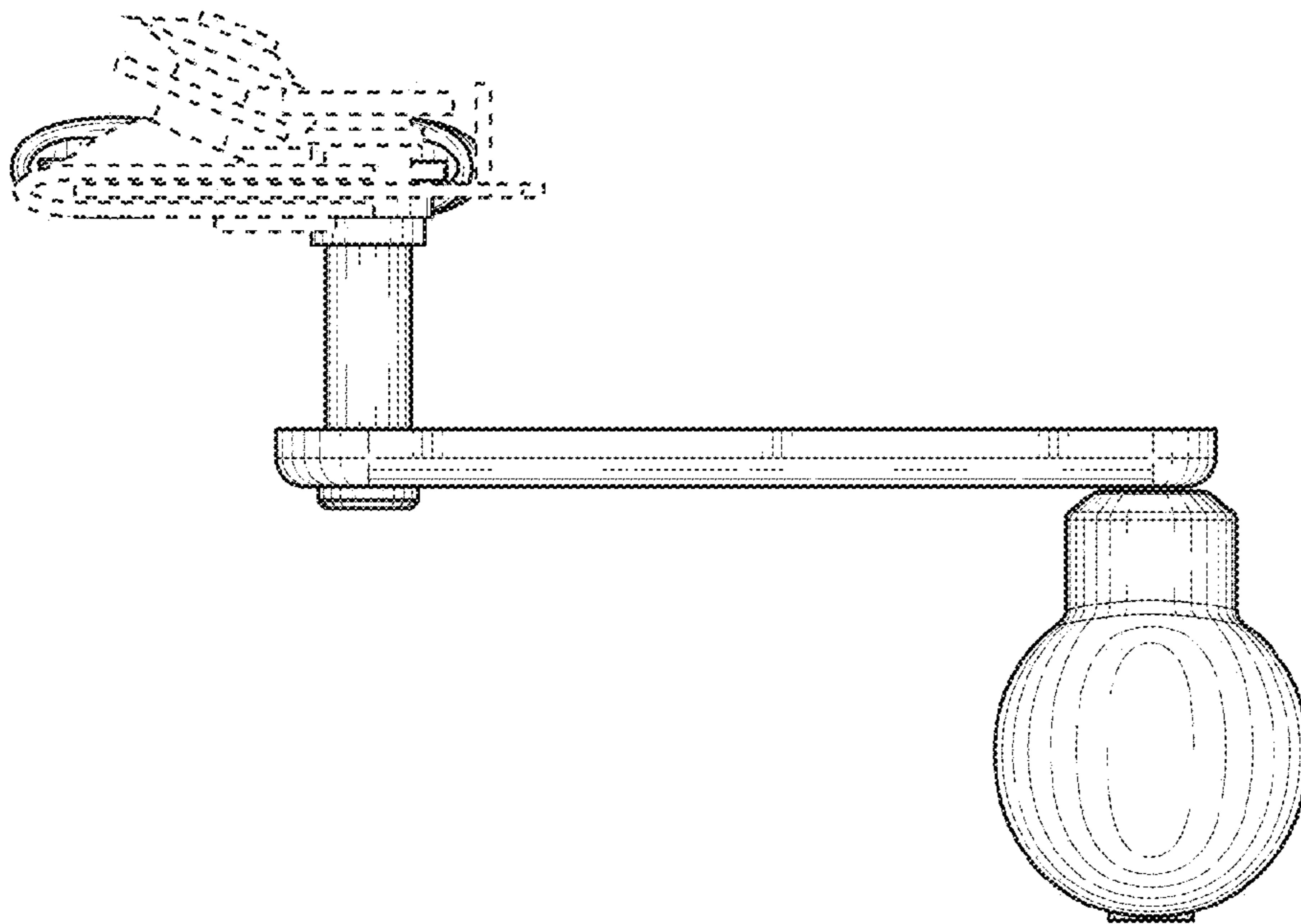


FIG. 4

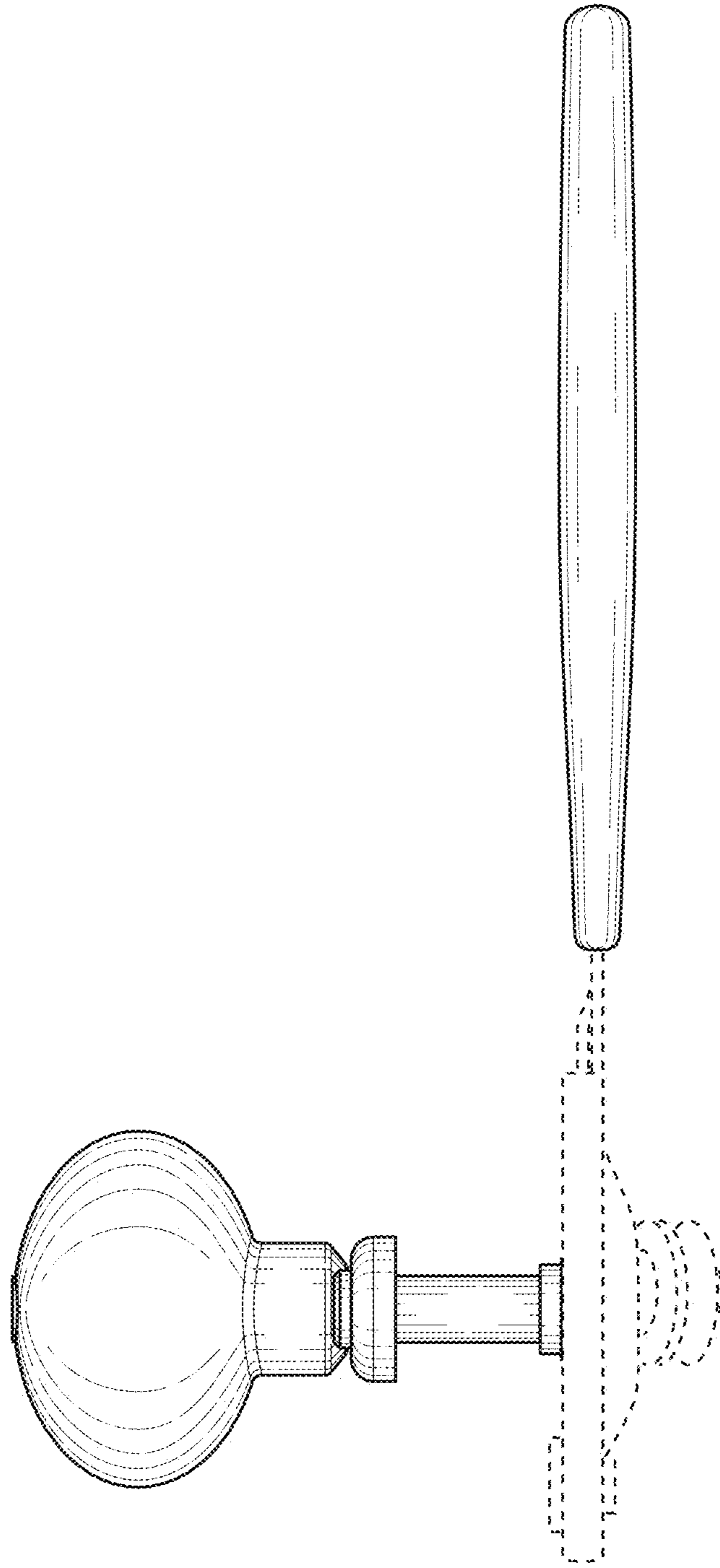


FIG. 6

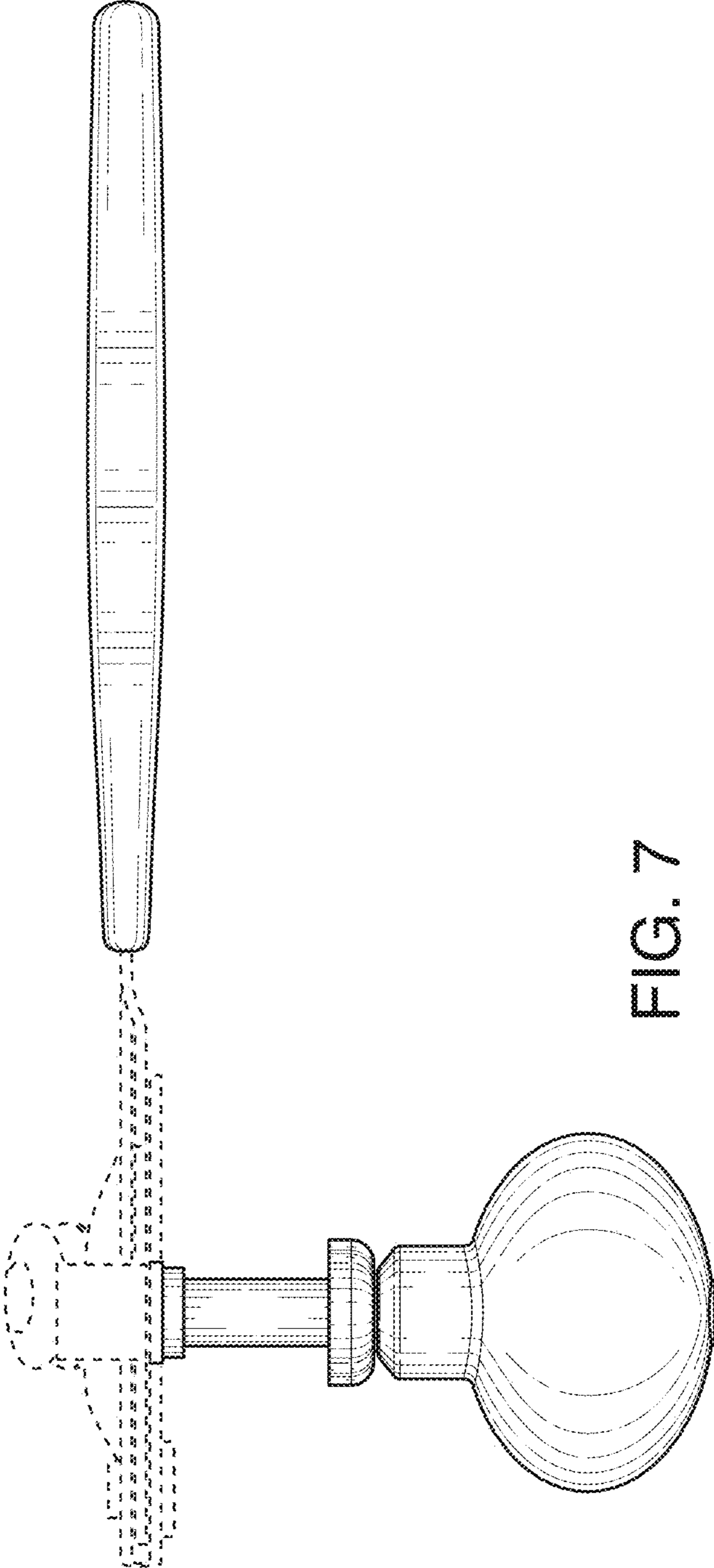


FIG. 7