



US00D875489S

(12) **United States Design Patent**
Redjal

(10) **Patent No.:** **US D875,489 S**

(45) **Date of Patent:** **** Feb. 18, 2020**

(54) **BOTTLE OPENER**

(71) Applicant: **PROMEKO N.V.**, Kortrijk (BE)

(72) Inventor: **Karim Redjal**, Kortrijk (BE)

(73) Assignee: **Promeco N.V.**, Kortrijk (BE)

(**) Term: **15 Years**

(21) Appl. No.: **29/661,093**

(22) Filed: **Aug. 24, 2018**

(30) **Foreign Application Priority Data**

Feb. 26, 2018 (EM) 004726438

(51) **LOC (12) Cl.** **07-99**

(52) **U.S. Cl.**
USPC **D8/33**

(58) **Field of Classification Search**
USPC D8/18, 33-43
CPC .. B67B 7/06; B67B 7/066; B67B 7/12; B67B
7/16; B67B 7/18; B67B 7/20; B67B 7/24;
B67B 7/30; B67B 7/34; B67B 2007/0458;
B67B 2007/303
See application file for complete search history.

(56) **References Cited**

U.S. PATENT DOCUMENTS

D202,133 S * 8/1965 Marchant D9/424
5,899,122 A * 5/1999 Court B67B 7/0405
81/3.2
6,546,831 B2 * 4/2003 So B67B 7/0441
81/3.29
D488,690 S * 4/2004 Haas F23Q 2/32
D27/142
D516,885 S * 3/2006 Yang D8/33
D592,515 S * 5/2009 Francis D9/529
D598,258 S * 8/2009 Chan D8/42
8,312,633 B2 * 11/2012 Garman B67B 7/16
30/400

D686,475 S * 7/2013 Wu D3/210
8,578,819 B2 * 11/2013 Cheung B67B 7/0405
81/3.2
D718,106 S * 11/2014 Lauzet D8/33
D754,502 S * 4/2016 Cozzolino D8/42
9,945,552 B2 * 4/2018 Johnson F21V 33/0036
D851,472 S * 6/2019 Yingchen D8/42
D853,796 S * 7/2019 Collinet D7/602
10,414,641 B2 * 9/2019 Sanchez A63H 37/00
2005/0050998 A1 * 3/2005 Reynolds B67B 1/045
81/3.29
2008/0141830 A1 * 6/2008 Mauffette B67B 7/066
81/3.08
2016/0031630 A1 * 2/2016 Malaspino B65D 81/3872
220/574.2

FOREIGN PATENT DOCUMENTS

EP 2718222 8/2017
WO 2012168362 12/2012

* cited by examiner

Primary Examiner — Elizabeth A. Albert

(74) *Attorney, Agent, or Firm* — Hovey Williams LLP

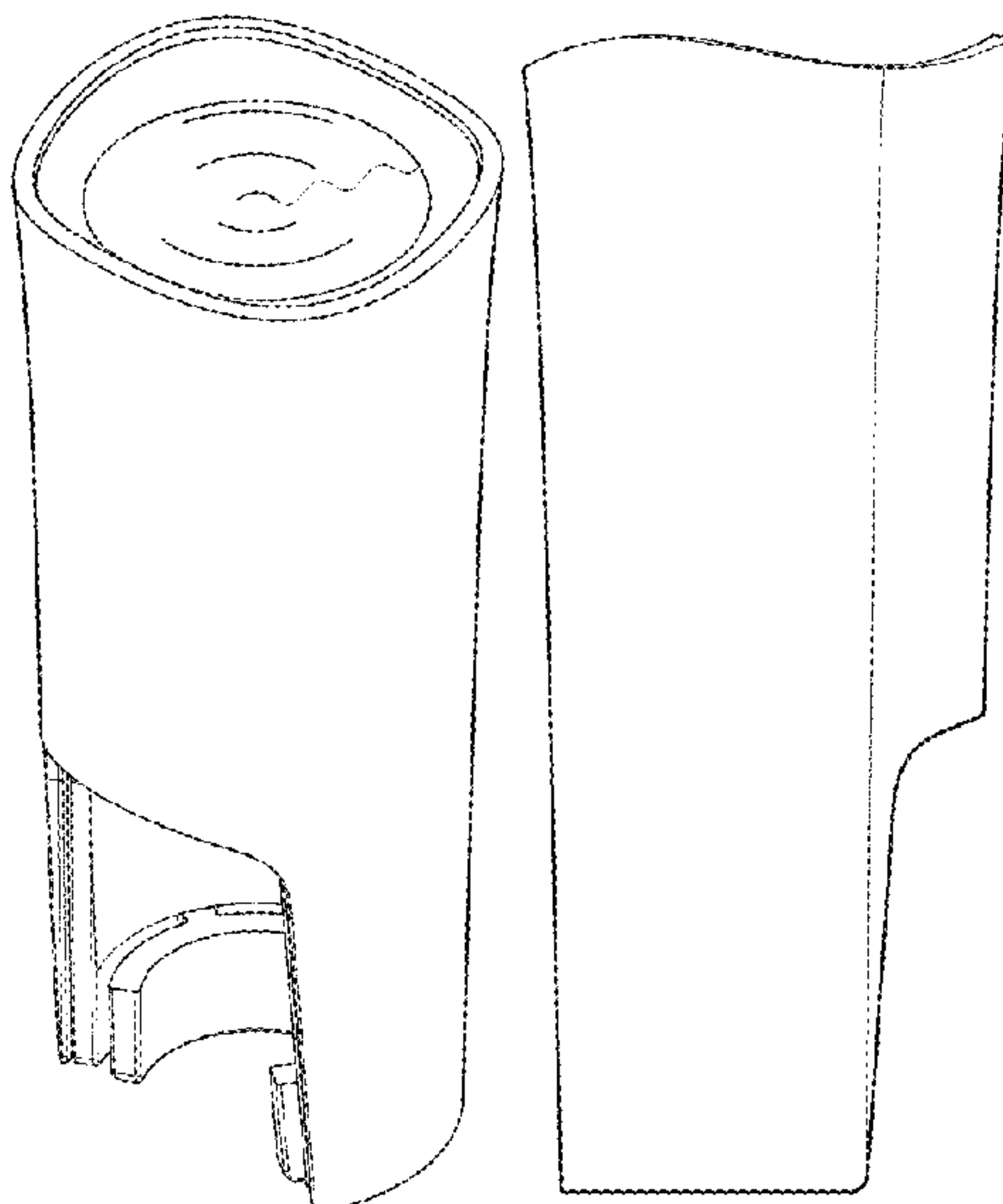
(57) **CLAIM**

The ornamental design for a bottle opener, as shown and described.

DESCRIPTION

FIG. 1 is an upper front perspective of a bottle opener embodying my design;
FIG. 2 is a lower front perspective of the bottle opener shown in FIG. 1;
FIG. 3 is a front elevation of the bottle opener shown in FIGS. 1 and 2;
FIG. 4 is a side elevation of the bottle opener shown in FIGS. 1-3, with the opposite side elevation being a mirror image thereof; and,
FIG. 5 is a rear elevation of the bottle opener shown in FIGS. 1-4.

1 Claim, 2 Drawing Sheets



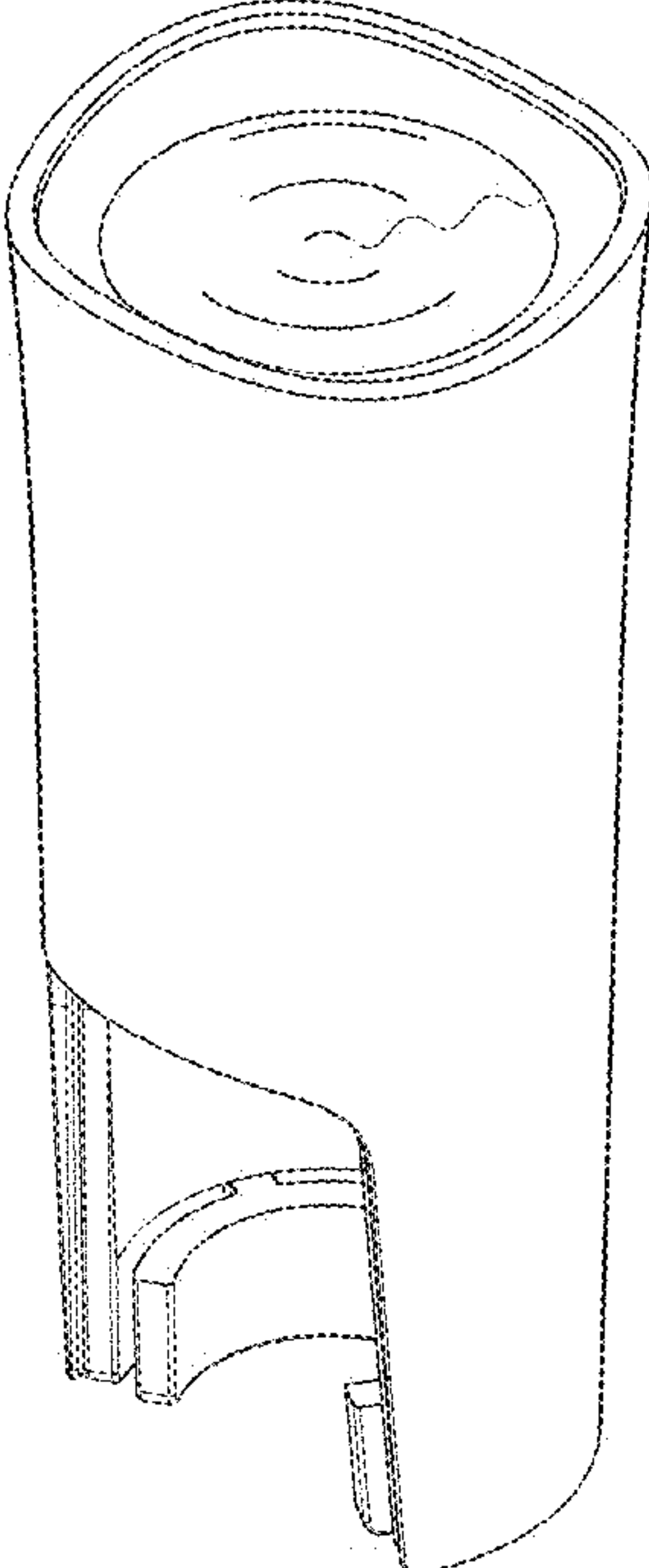


FIG. 1

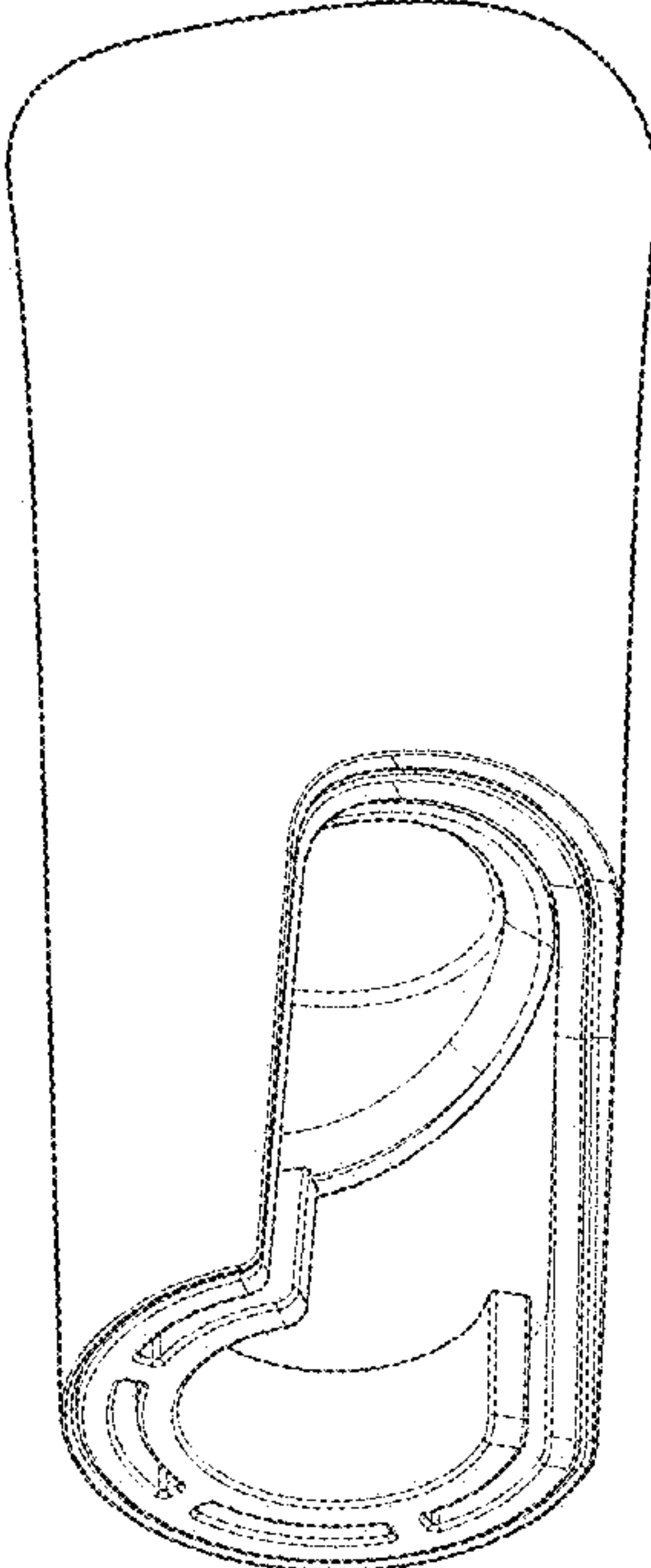


FIG. 2

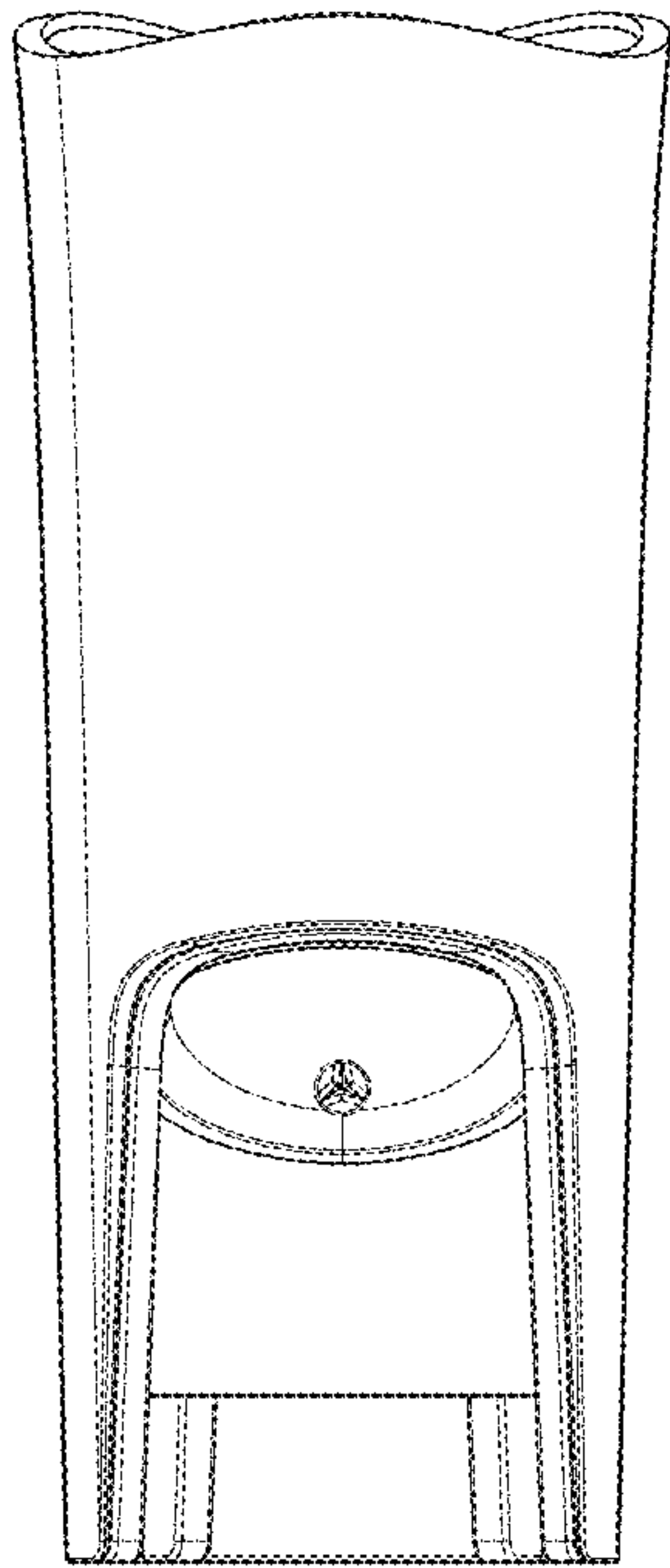


FIG. 3

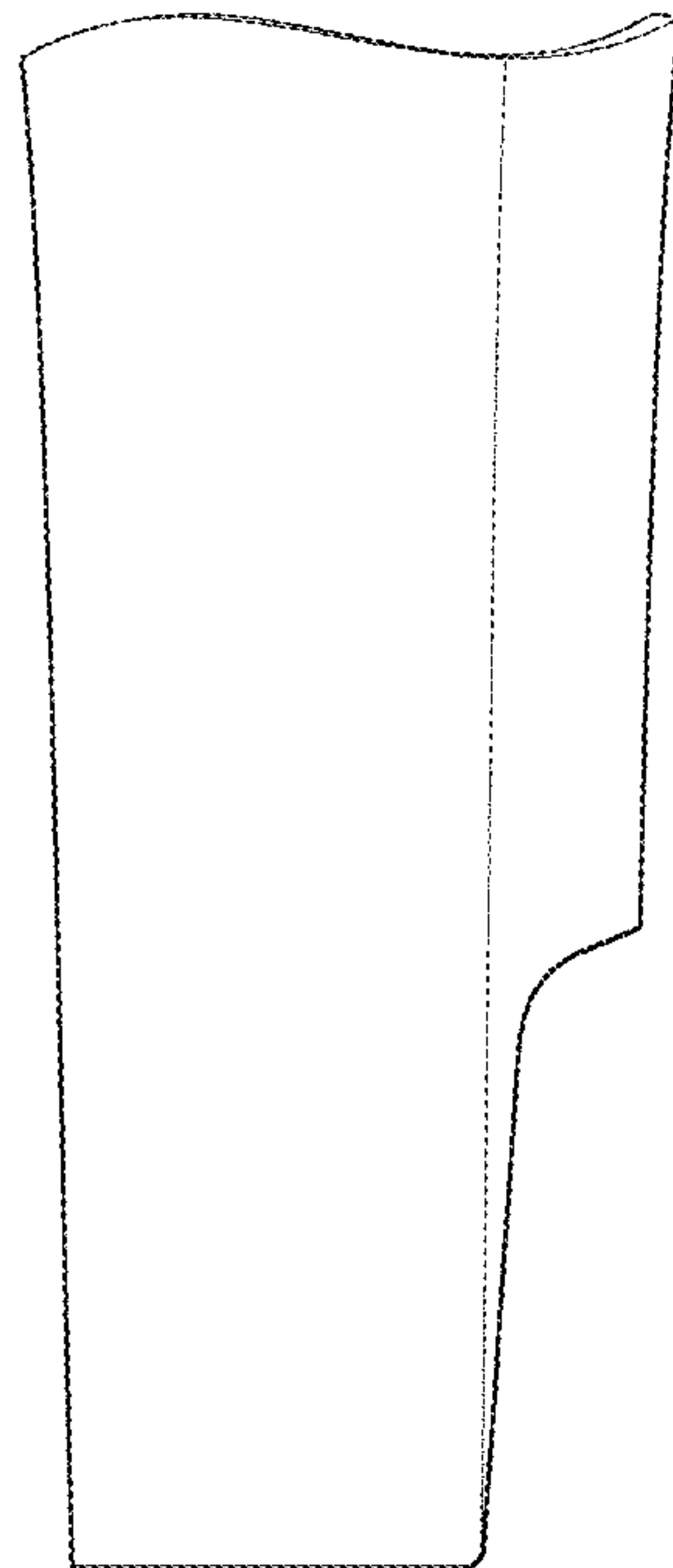


FIG. 4

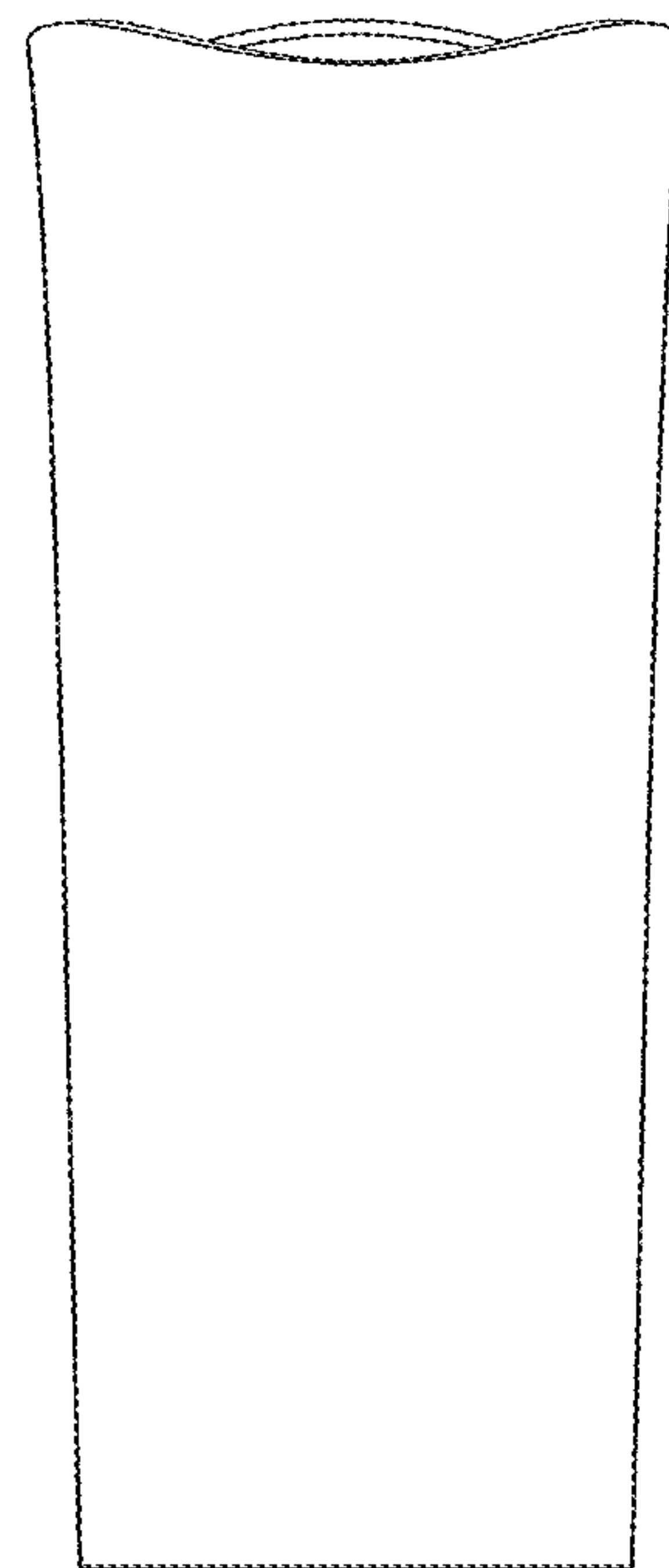


FIG. 5