



US00D875488S

(12) **United States Design Patent** (10) **Patent No.:** **US D875,488 S**
Bloom et al. (45) **Date of Patent:** **** Feb. 18, 2020**

(54) **SAW BLADE**

FOREIGN PATENT DOCUMENTS

(71) Applicant: **MILWAUKEE ELECTRIC TOOL CORPORATION**, Brookfield, WI (US)

CN 2843792 Y 12/2006
EP 0072642 A2 2/1983

(Continued)

(72) Inventors: **Tyler D. Bloom**, Milwaukee, WI (US);
Brad Urban, Wauwatosa, WI (US)

Primary Examiner — Elizabeth A. Albert

(74) *Attorney, Agent, or Firm* — Michael Best & Friedrich LLP

(73) Assignee: **MILWAUKEE ELECTRIC TOOL CORPORATION**, Brookfield, WI (US)

(**) Term: **15 Years**

(57) **CLAIM**

(21) Appl. No.: **29/698,816**

We claim the ornamental design for a saw blade, as shown and described.

(22) Filed: **Jul. 19, 2019**

Related U.S. Application Data

DESCRIPTION

(62) Division of application No. 29/668,040, filed on Oct. 26, 2018, now Pat. No. Des. 862,184, which is a division of application No. 29/606,906, filed on Jun. 8, 2017, now Pat. No. Des. 835,955.

(51) **LOC (12) Cl.** **08-03**

(52) **U.S. Cl.**
USPC **D8/20**

(58) **Field of Classification Search**
USPC D8/20, 66, 70, 95–101
CPC B23D 61/02; B23D 61/12; B23D 61/121;
B23D 61/123; B23D 61/125; B23D
61/128; B23D 49/10; B26B 5/00; B26B
5/005; B26B 9/00; B27B 33/02; D24D
5/00; D24D 5/12; D24D 5/123
See application file for complete search history.

The file of this patent document contains at least one drawing executed in color. Copies of this patent document with color drawings will be provided by the United States Patent and Trademark Office upon request and payment of the necessary fee.

FIG. 1 is a perspective view of a saw blade according to one embodiment.

FIG. 2 is a first side view of the saw blade of FIG. 1.

FIG. 3 is a second side view of the saw blade of FIG. 1.

FIG. 4 is a top view of the saw blade of FIG. 1.

FIG. 5 is a bottom view of the saw blade of FIG. 1.

FIG. 6 is a first end view of the saw blade of FIG. 1.

FIG. 7 is a second end view of the saw blade of FIG. 1.

FIG. 8 is a perspective view of a saw blade according to another embodiment illustrated in color.

FIG. 9 is a first side view of the saw blade of FIG. 8.

FIG. 10 is a second side view of the saw blade of FIG. 8.

FIG. 11 is a top view of the saw blade of FIG. 8.

FIG. 12 is a bottom view of the saw blade of FIG. 8.

FIG. 13 is a first end view of the saw blade of FIG. 8; and,

FIG. 14 is a second end view of the saw blade of FIG. 8.

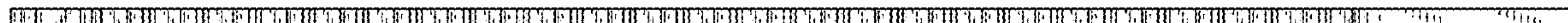
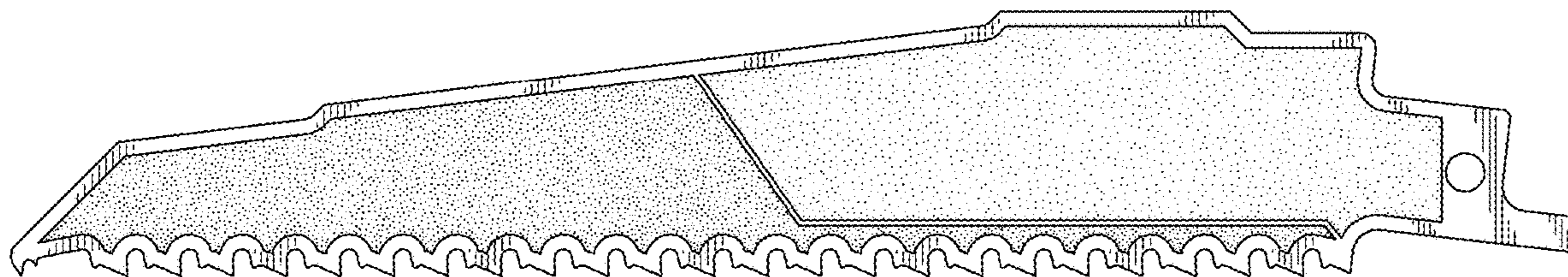
(56) **References Cited**

U.S. PATENT DOCUMENTS

D162,794 S 4/1951 Derr
2,741,279 A 4/1956 Stratton
3,374,815 A 3/1968 Anderson, Jr. et al.
4,036,236 A 7/1977 Rhodes, Jr.
4,739,557 A 4/1988 Wagner

(Continued)

1 Claim, 6 Drawing Sheets
(2 of 6 Drawing Sheet(s) Filed in Color)



(56)

References Cited

U.S. PATENT DOCUMENTS

D352,218 S 11/1994 Nygards
 D406,023 S 2/1999 Okada
 6,244,152 B1 6/2001 Di Nicolantonio
 D473,121 S 4/2003 Eads
 D482,945 S 12/2003 Grolimund
 D527,233 S 8/2006 Burke, III
 7,127,979 B2 10/2006 Kocher et al.
 7,225,714 B2 6/2007 Rompel et al.
 D555,444 S * 11/2007 Ammann D8/20
 D565,369 S 4/2008 Dawson
 D686,470 S 7/2013 Ji
 D688,543 S 8/2013 Neitzell et al.
 8,689,667 B2 4/2014 Butzen et al.
 D706,099 S 6/2014 Neitzell et al.
 8,776,659 B2 7/2014 Butzen et al.
 D725,450 S 3/2015 Hampton et al.
 D732,914 S 6/2015 Hampton et al.
 9,079,259 B2 7/2015 Grolimund
 9,132,492 B2 9/2015 Butzen et al.
 9,757,807 B2 9/2017 Hampton et al.
 9,827,626 B2 11/2017 Kazda et al.
 9,884,380 B2 2/2018 Muti et al.
 10,112,244 B2 * 10/2018 Butzen B23D 61/121
 D835,956 S 12/2018 Felton et al.
 10,189,099 B2 * 1/2019 Butzen B23D 61/121
 10,252,358 B2 * 4/2019 Butzen B23D 61/121
 10,363,619 B2 * 7/2019 George B23D 61/121
 2002/0042998 A1 4/2002 Napoli
 2002/0184988 A1 12/2002 Rohman et al.
 2003/0024354 A1 2/2003 Ward et al.

2003/0200853 A1 10/2003 Gongola
 2005/0211023 A1 * 9/2005 Kalo B23D 61/123
 76/112
 2005/0211046 A1 9/2005 Thomas et al.
 2005/0262702 A1 12/2005 Hawthorn
 2006/0016315 A1 1/2006 Zorich et al.
 2006/0065098 A1 3/2006 Cranna
 2006/0174495 A1 8/2006 Jumior
 2008/0072411 A1 3/2008 Ahorner et al.
 2009/0119931 A1 5/2009 Gongola
 2009/0145280 A1 6/2009 Bucks
 2009/0199693 A1 8/2009 Heyen
 2010/0218655 A1 9/2010 Gillette et al.
 2011/0259168 A1 10/2011 Butzen et al.
 2012/0090443 A1 4/2012 Butzen et al.
 2013/0333541 A1 12/2013 Karlen et al.
 2014/0283667 A1 9/2014 Butzen et al.
 2017/0120356 A1 5/2017 George et al.
 2017/0120357 A1 5/2017 Trautner et al.
 2017/0326661 A1 11/2017 Butzen et al.
 2018/0085838 A1 3/2018 Green
 2018/0099342 A1 4/2018 Muti et al.
 2019/0039158 A1 * 2/2019 Butzen B23D 61/121
 2019/0168320 A1 * 6/2019 Butzen B23D 61/121

FOREIGN PATENT DOCUMENTS

JP S293087 Y 3/1954
 JP S5271181 U 11/1975
 WO 0170471 A1 9/2001
 WO 2011140533 A1 11/2011

* cited by examiner

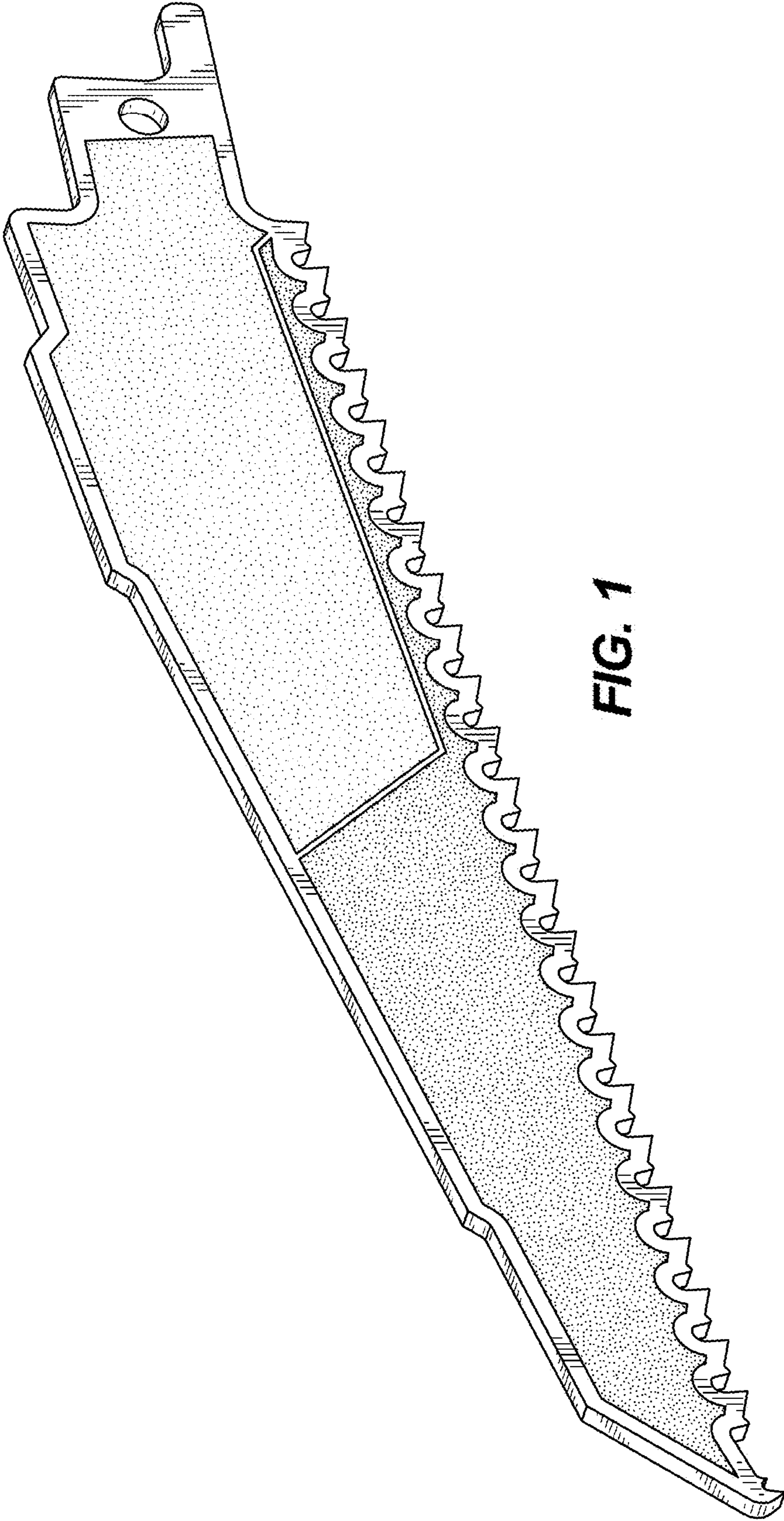


FIG. 1

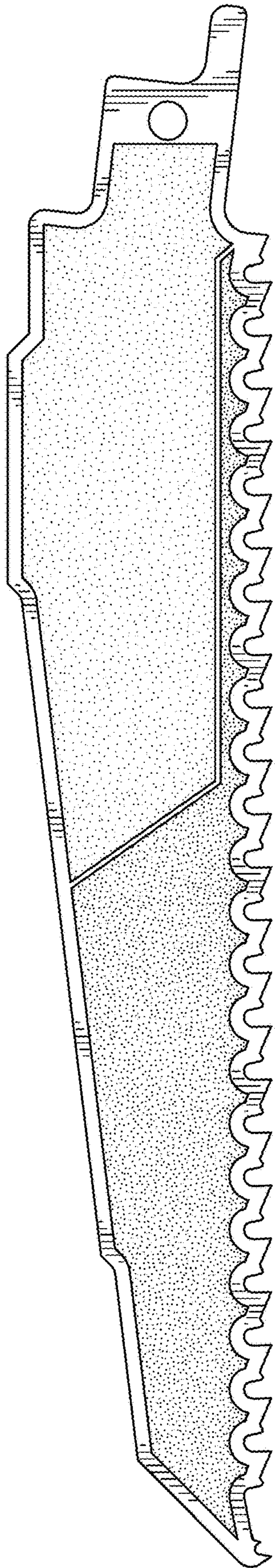


FIG. 2

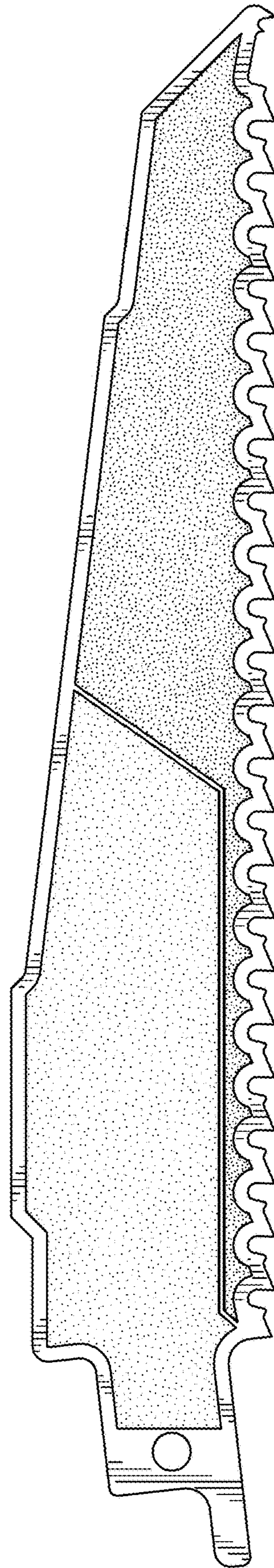


FIG. 3



FIG. 4



FIG. 5

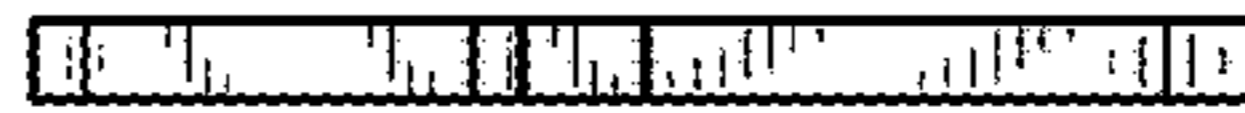


FIG. 6

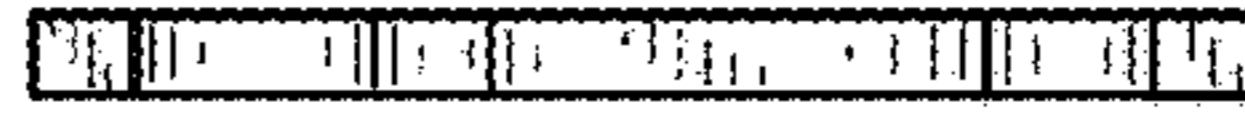


FIG. 7

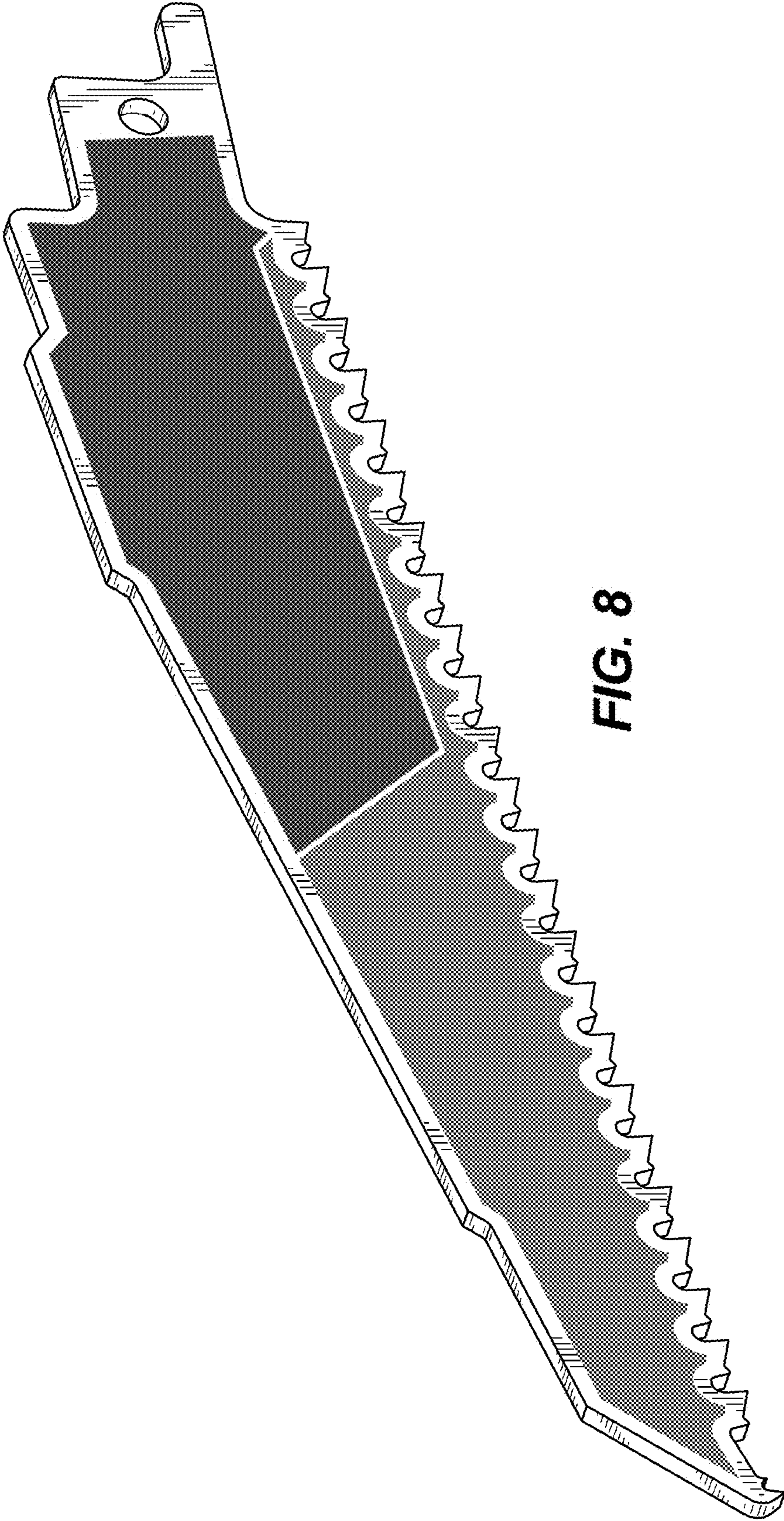


FIG. 8

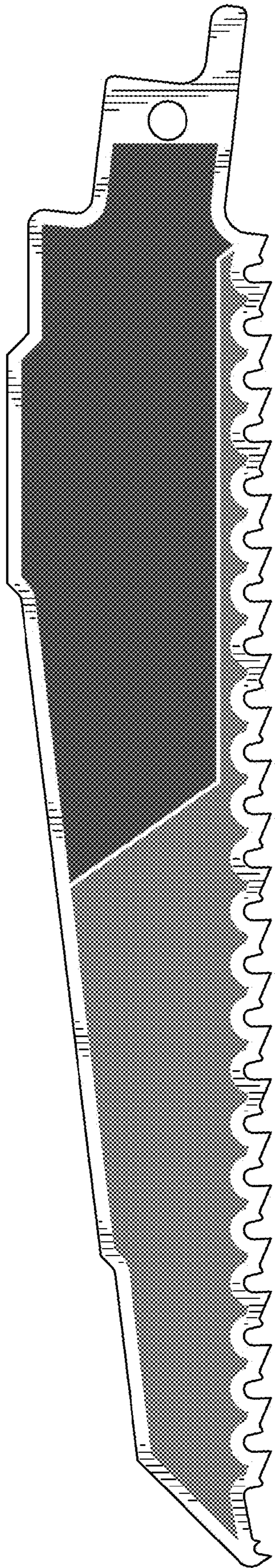


FIG. 9

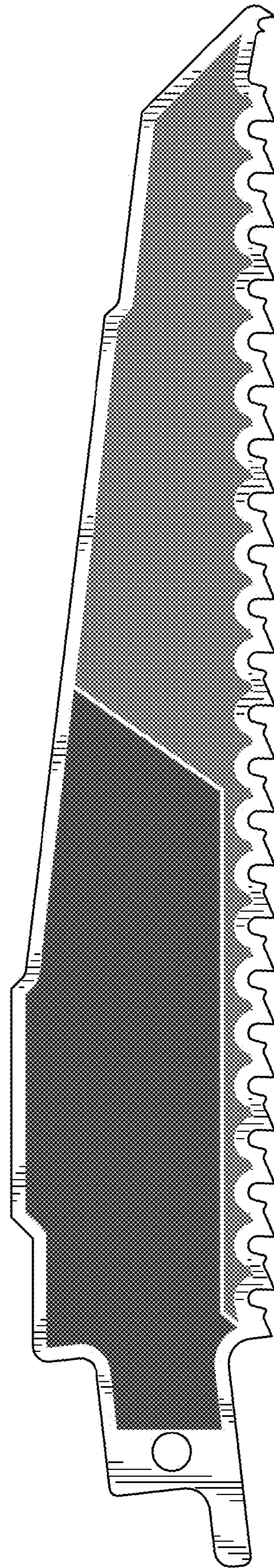


FIG. 10



FIG. 11



FIG. 12

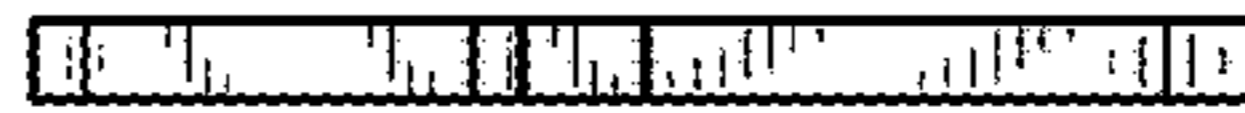


FIG. 13

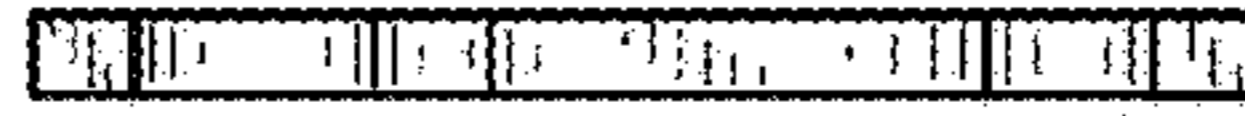


FIG. 14